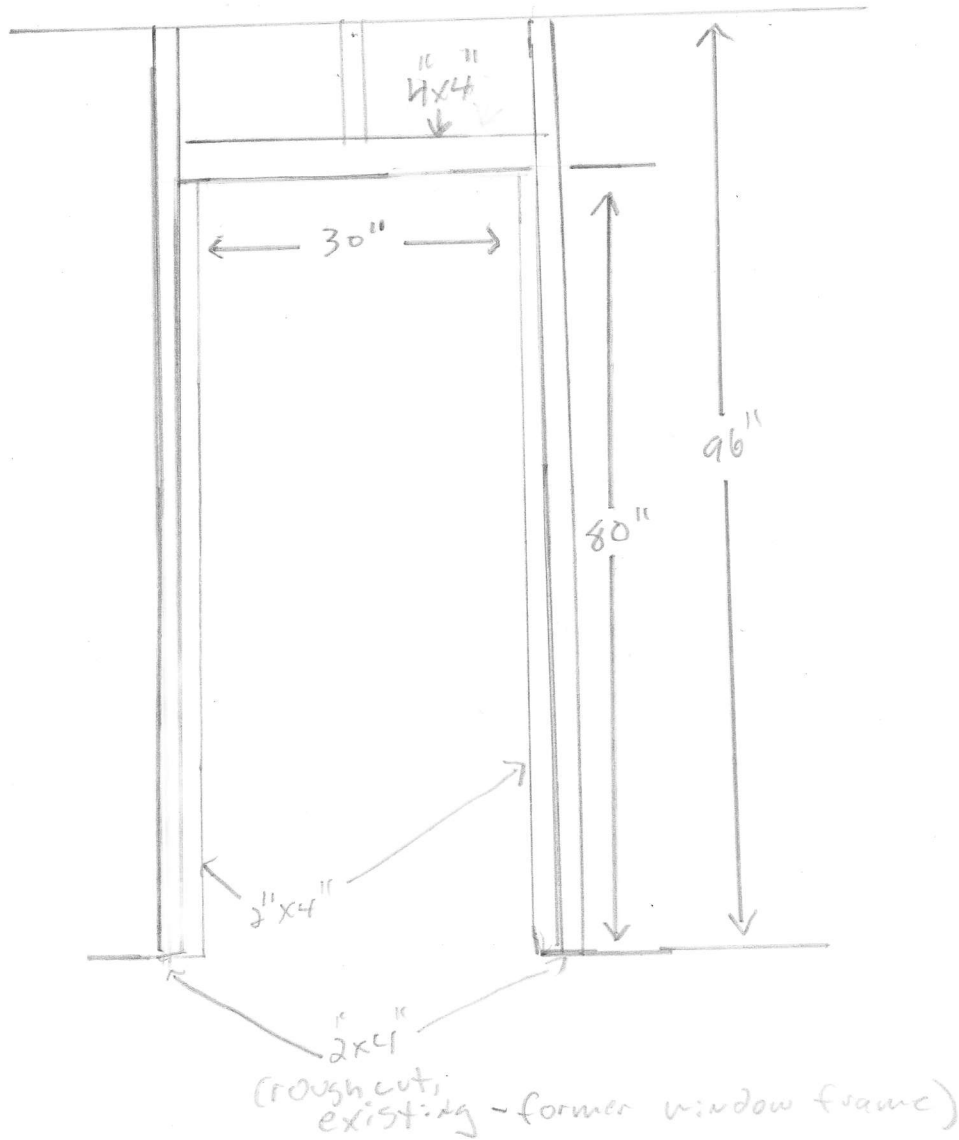


# 83 St. Lawrence Street - Deck Permit Application

## Framing detail and schedule for exterior door



Door schedule - exterior door

2'-8" x 6'-8" 9 lite insulated steel door