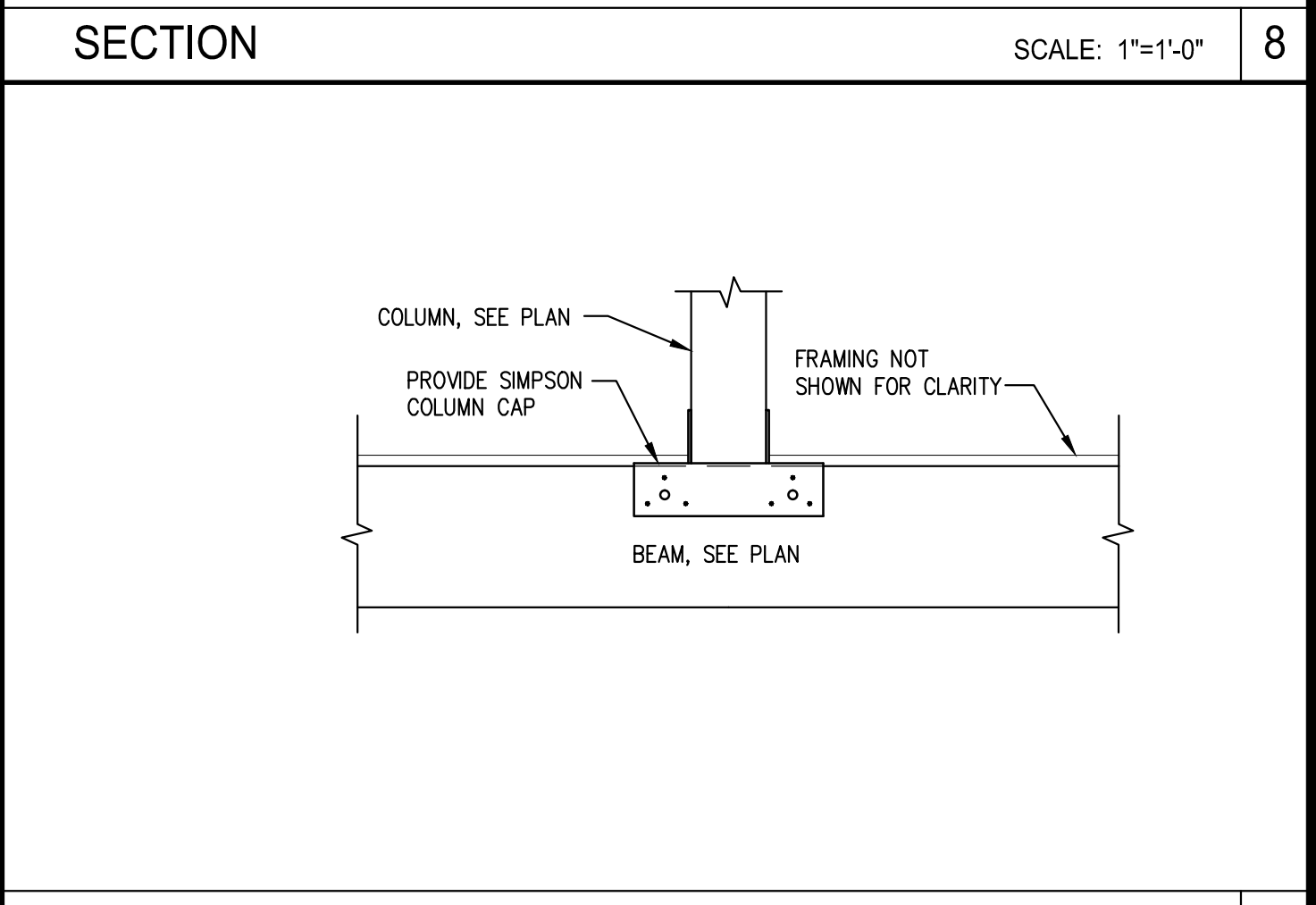
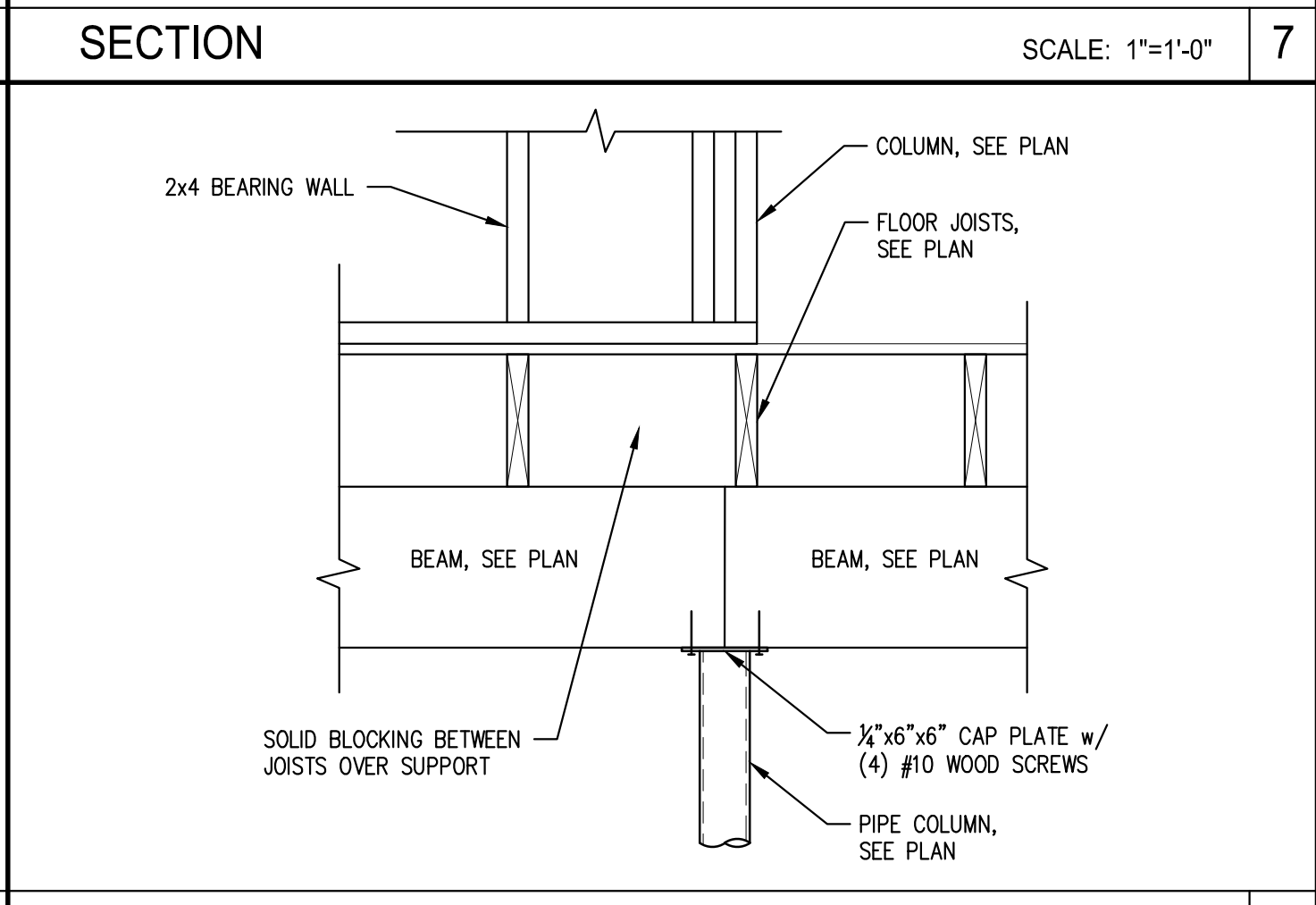
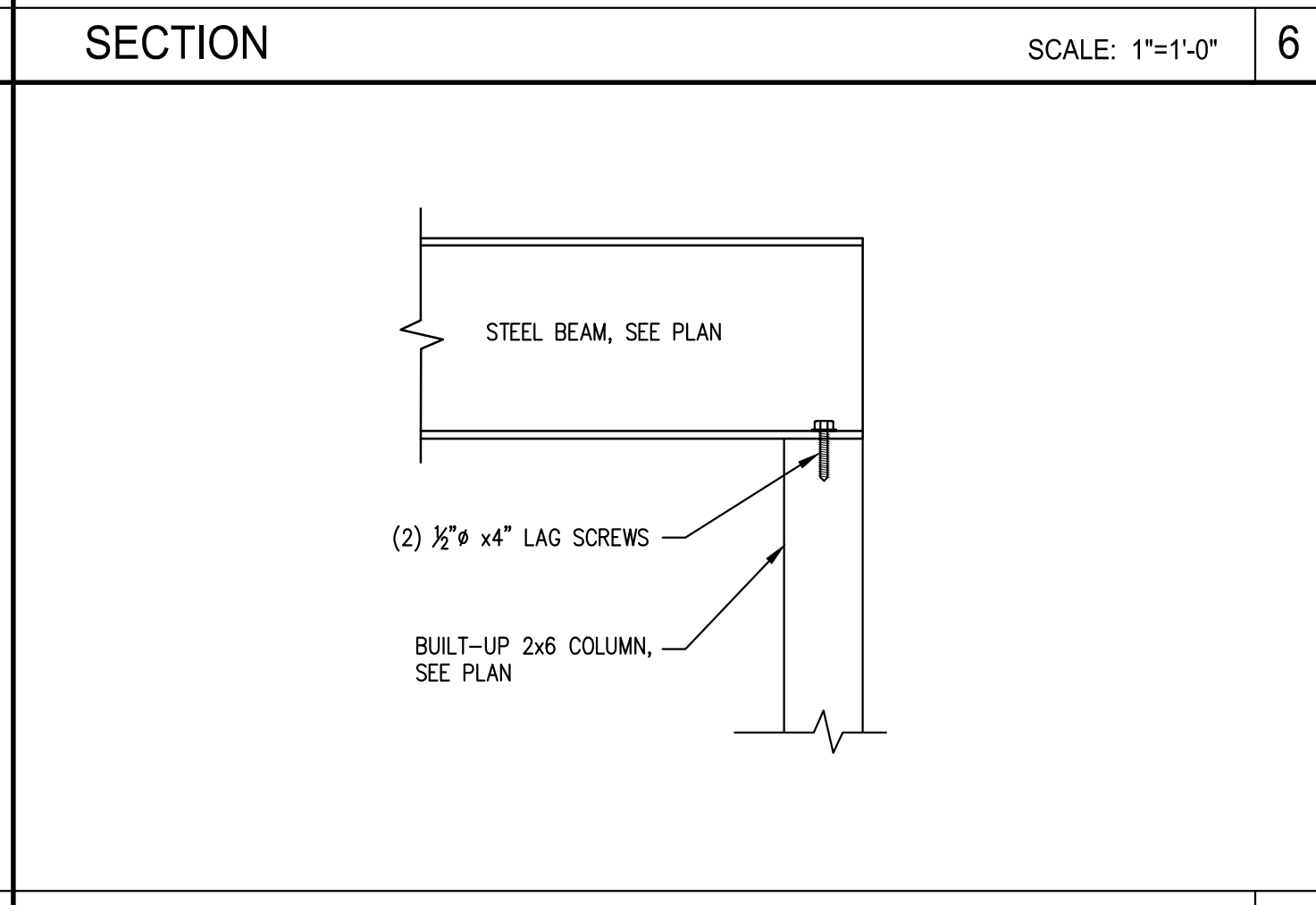
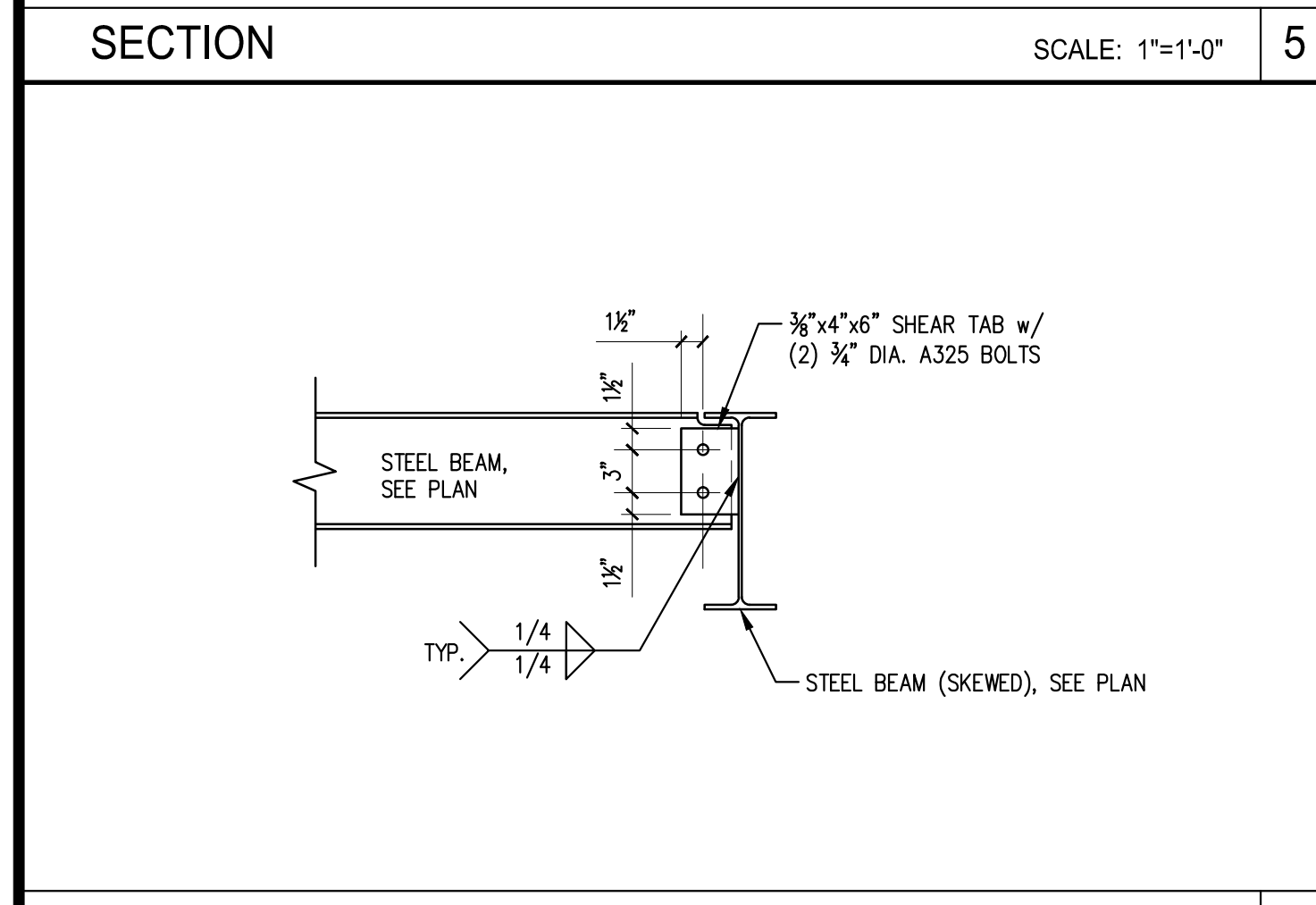
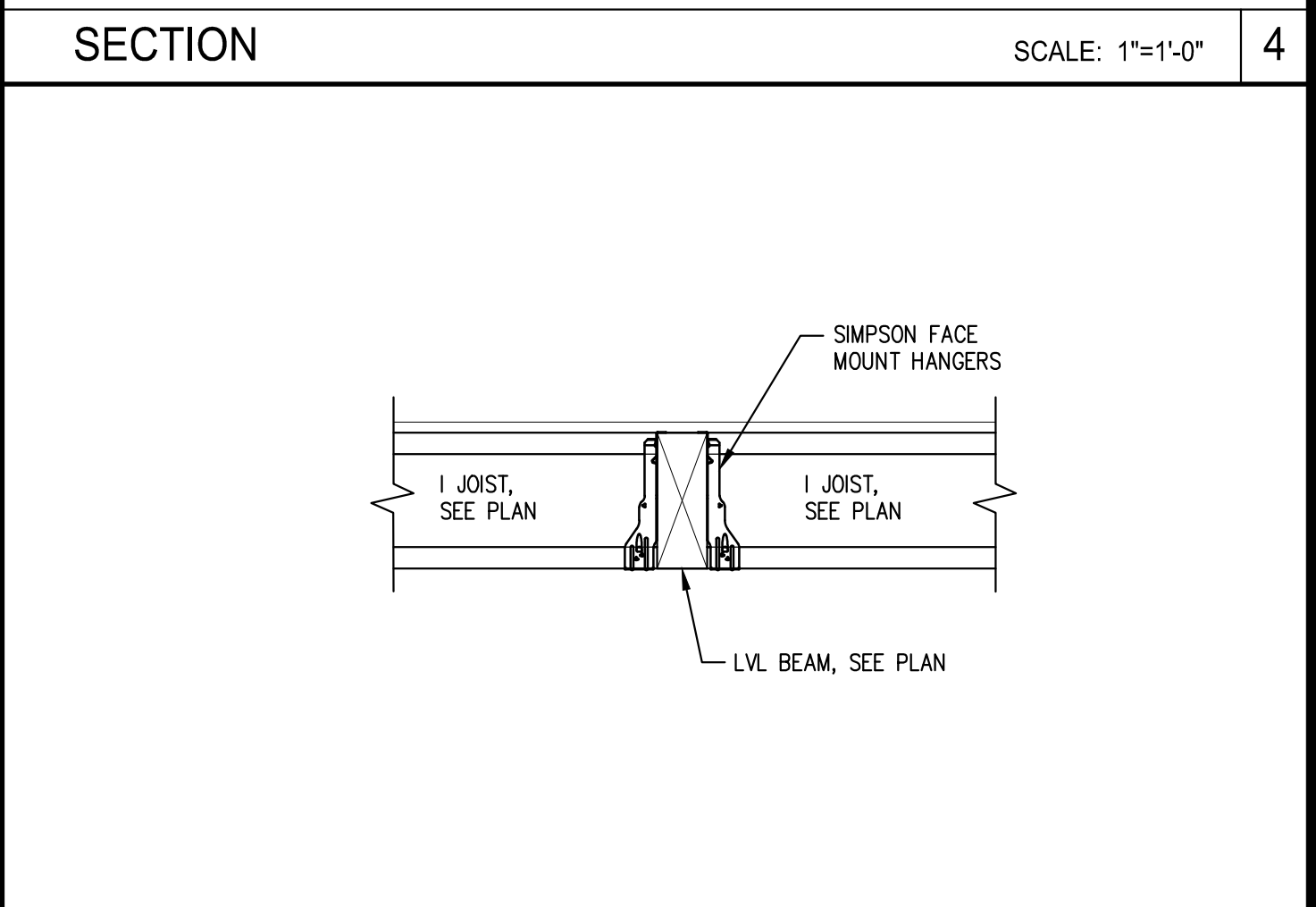
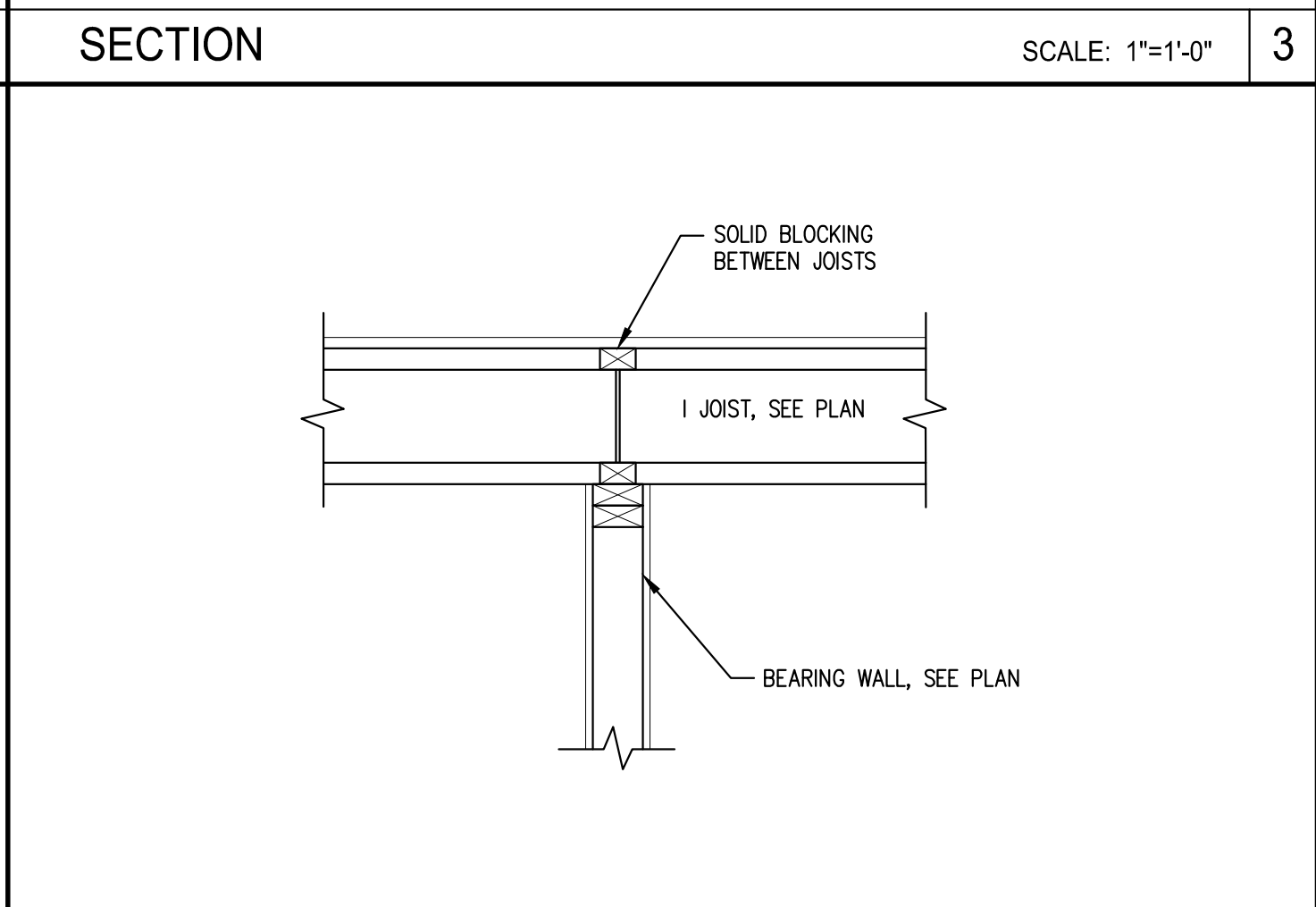
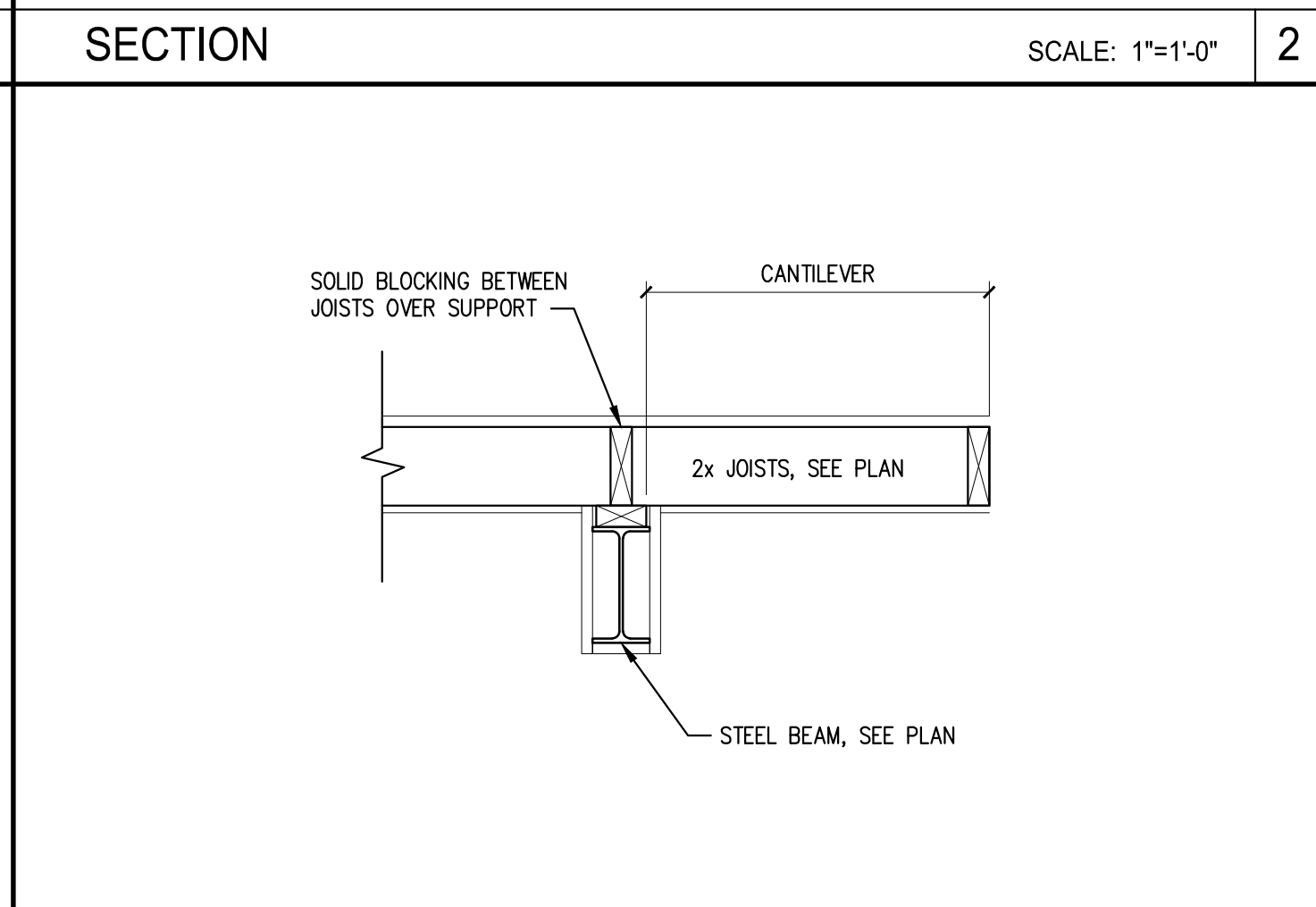
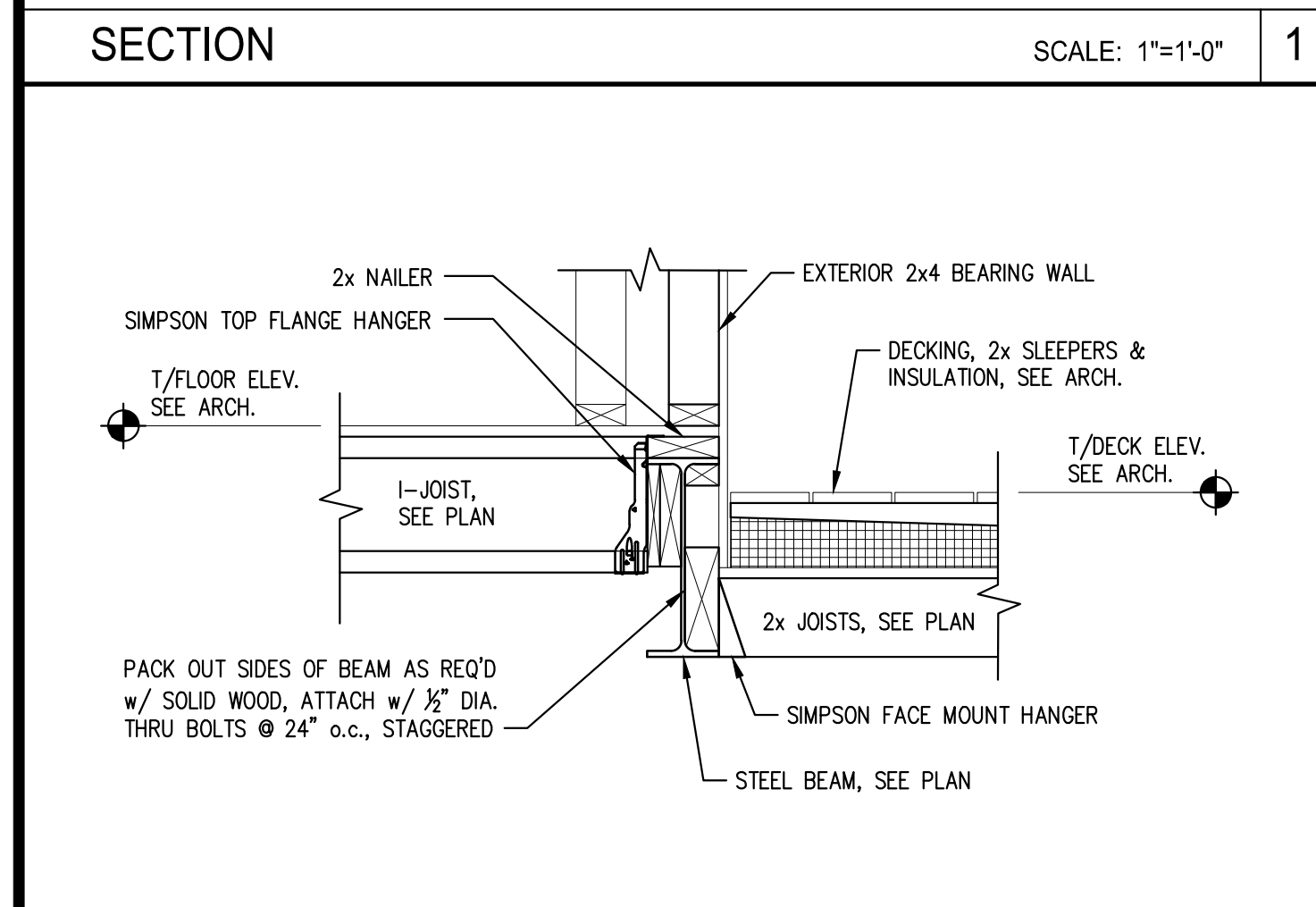
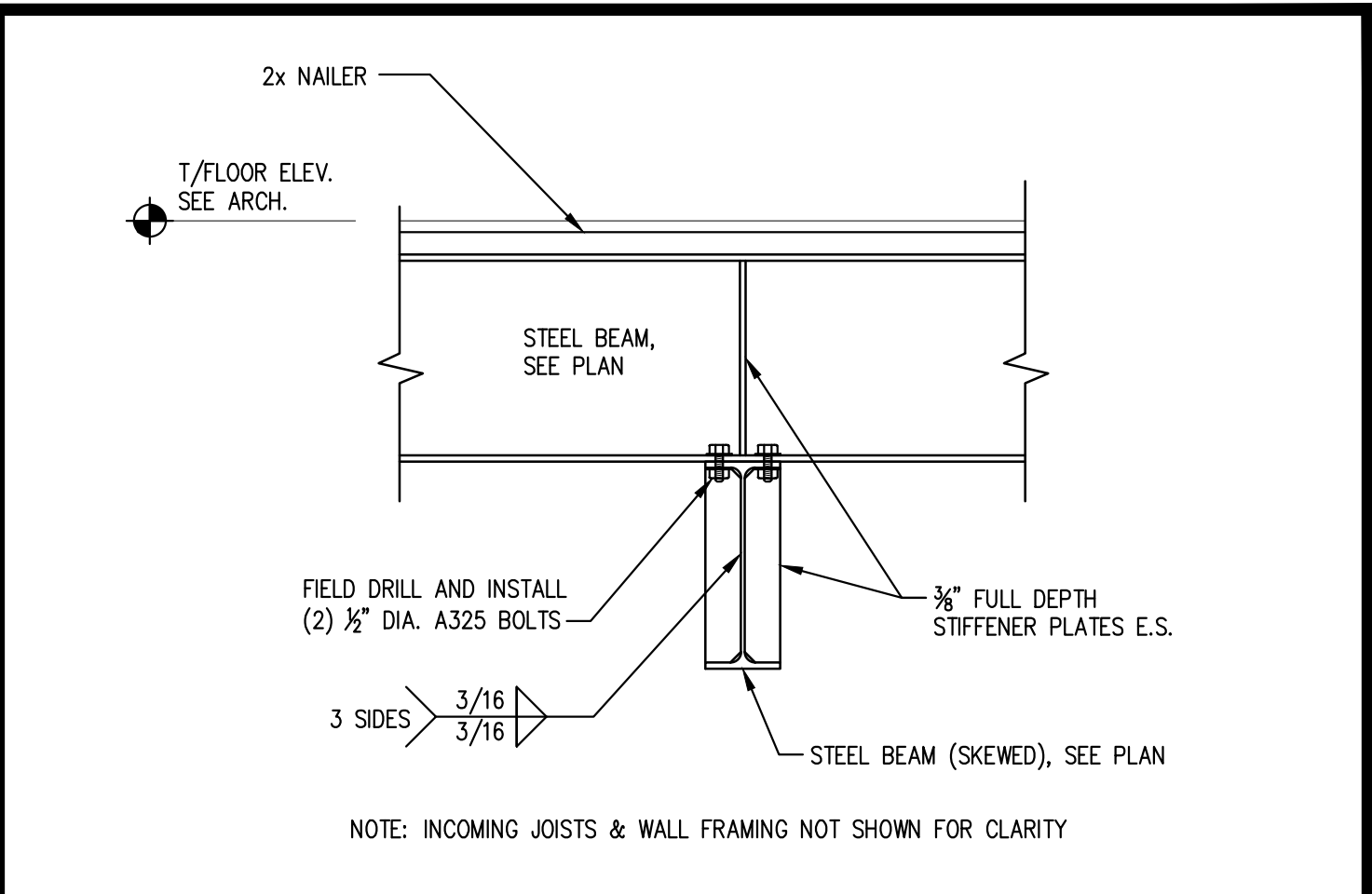
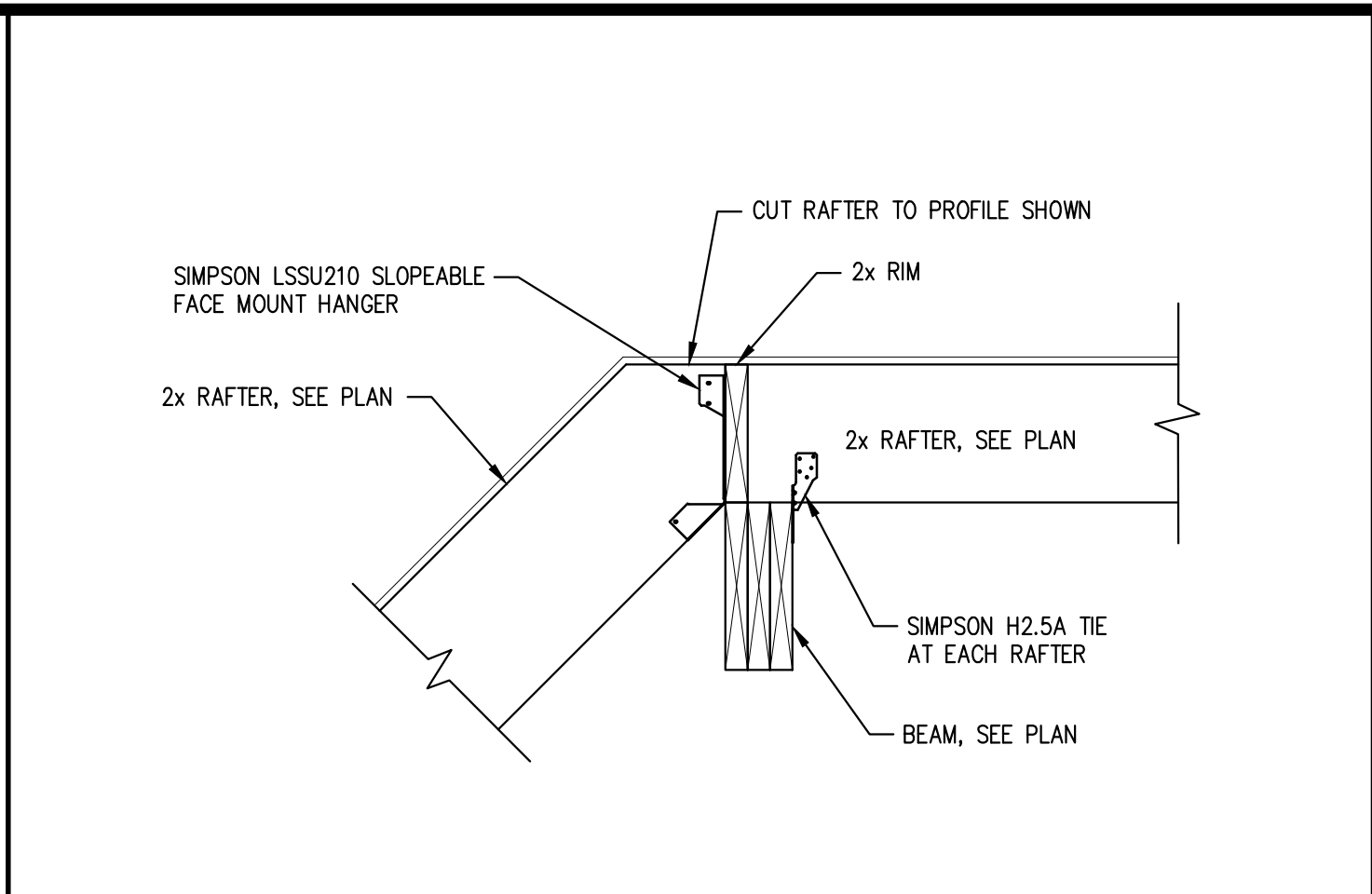
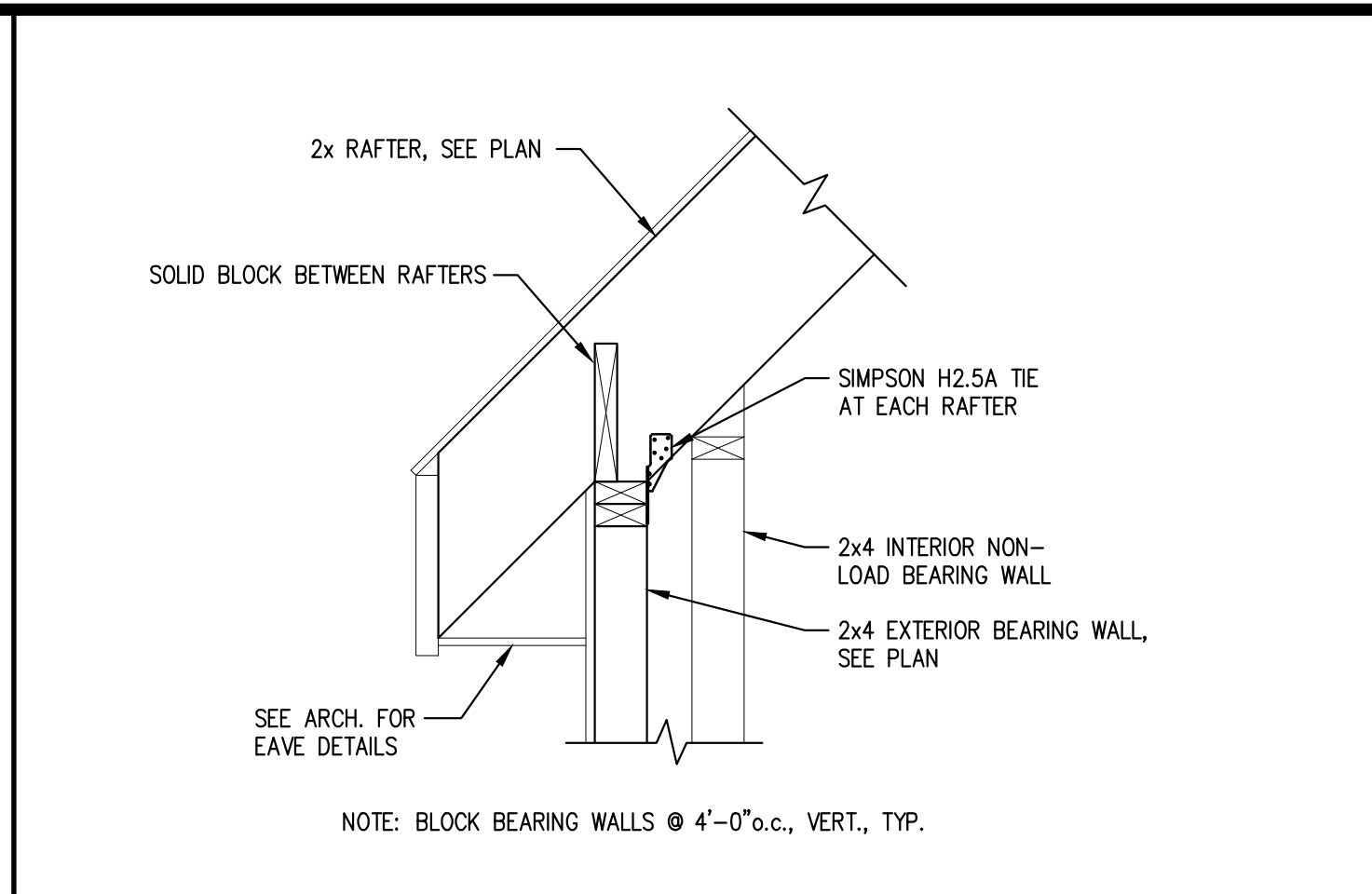
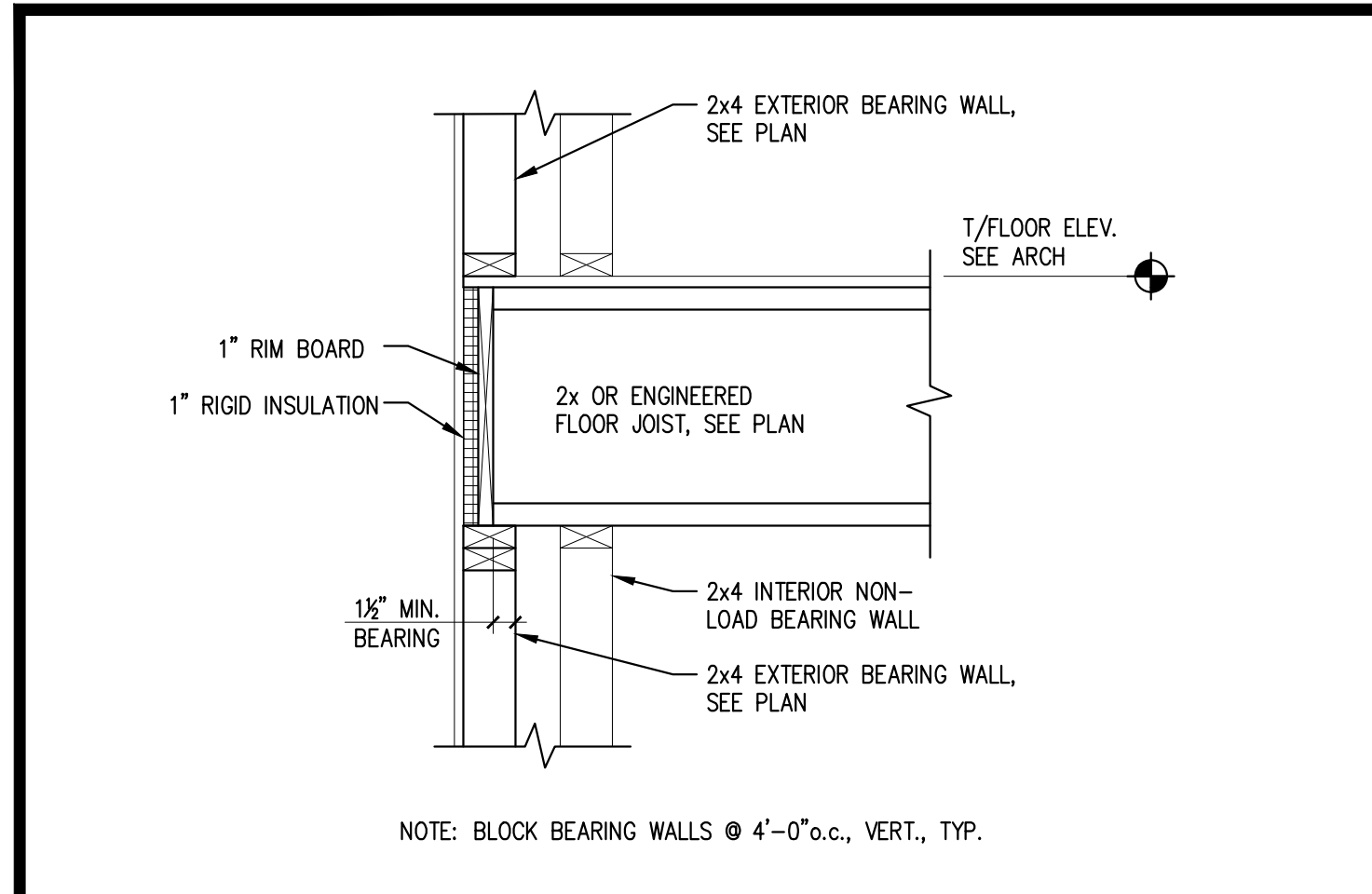


PRINTED: Jan 06, 2015



**CASCO BAY ENGINEERING**  
424 Fore Street  
Portland, ME 04101  
Phone 207.842.2800  
Fax 207.842.2828  
www.cascobayengineering.com

CLIENT:  
**CORNERSTONE BUILDING & RESTORATION**  
44 COYLE STREET  
PORTLAND, ME 0410

ANTHONY DUMAIS  
No. 12851  
LICENSED PROFESSIONAL ENGINEER

MONUMENT STREET  
 PORTLAND  
 NEW RESIDENCE  
 MAINE

No.	DESCRIPTION	ISSUED FOR PERMIT	ISSUED FOR CONSTRUCTION	DR.	CHKD.	DATE
				BY	BY	TD
A				TD	TD	10-20-14
0				TD	TD	1-6-15

SHEET TITLE:  
**FRAMING DETAILS**

DESIGNED: TD  
DRAWN: TD  
DATE: 10-2-14  
PROJECT NUMBER: 14-121

**S301**