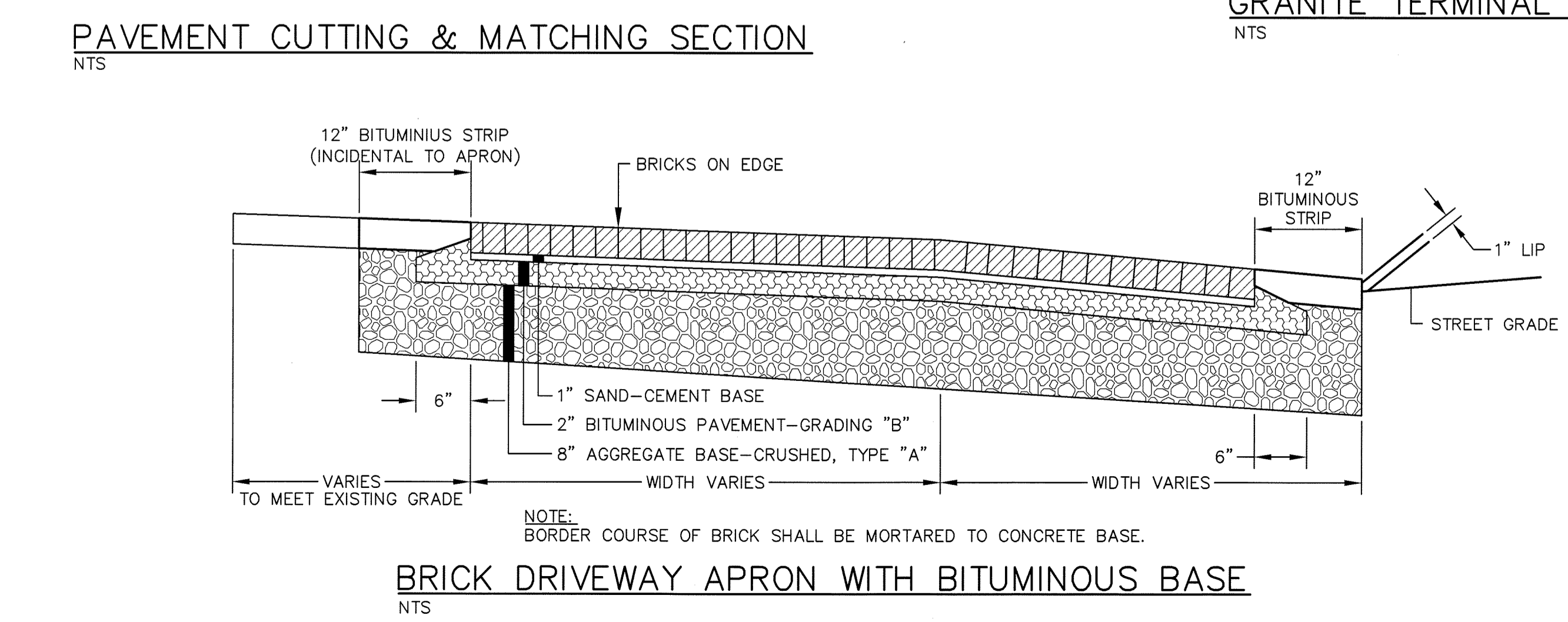
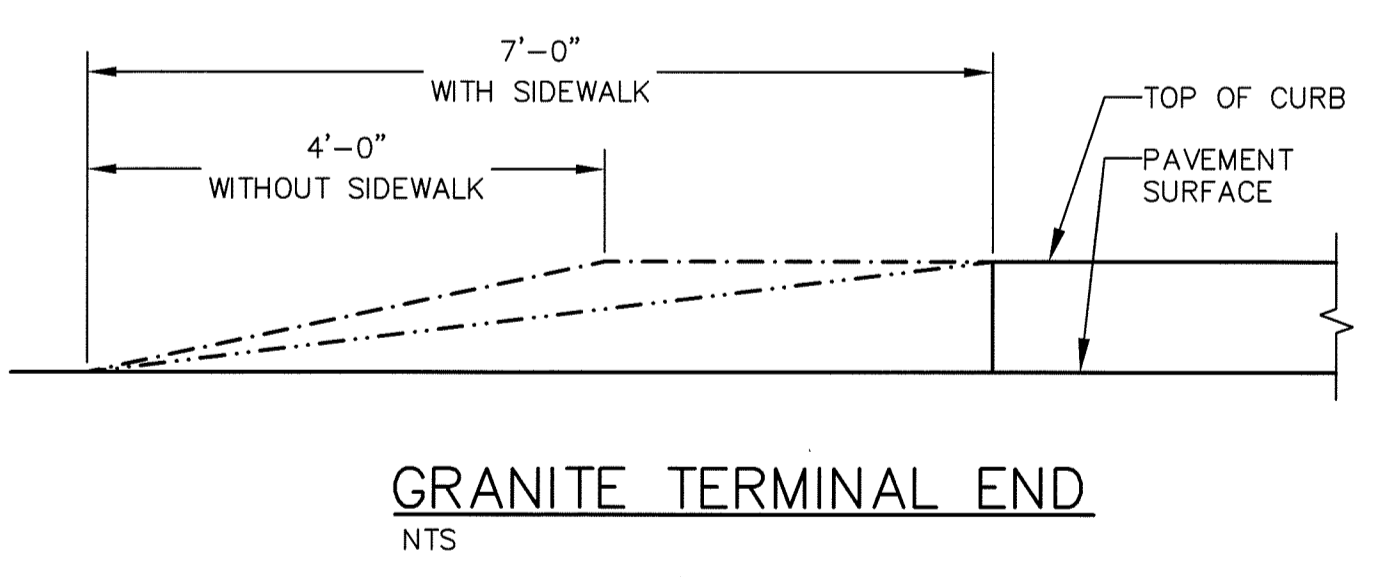
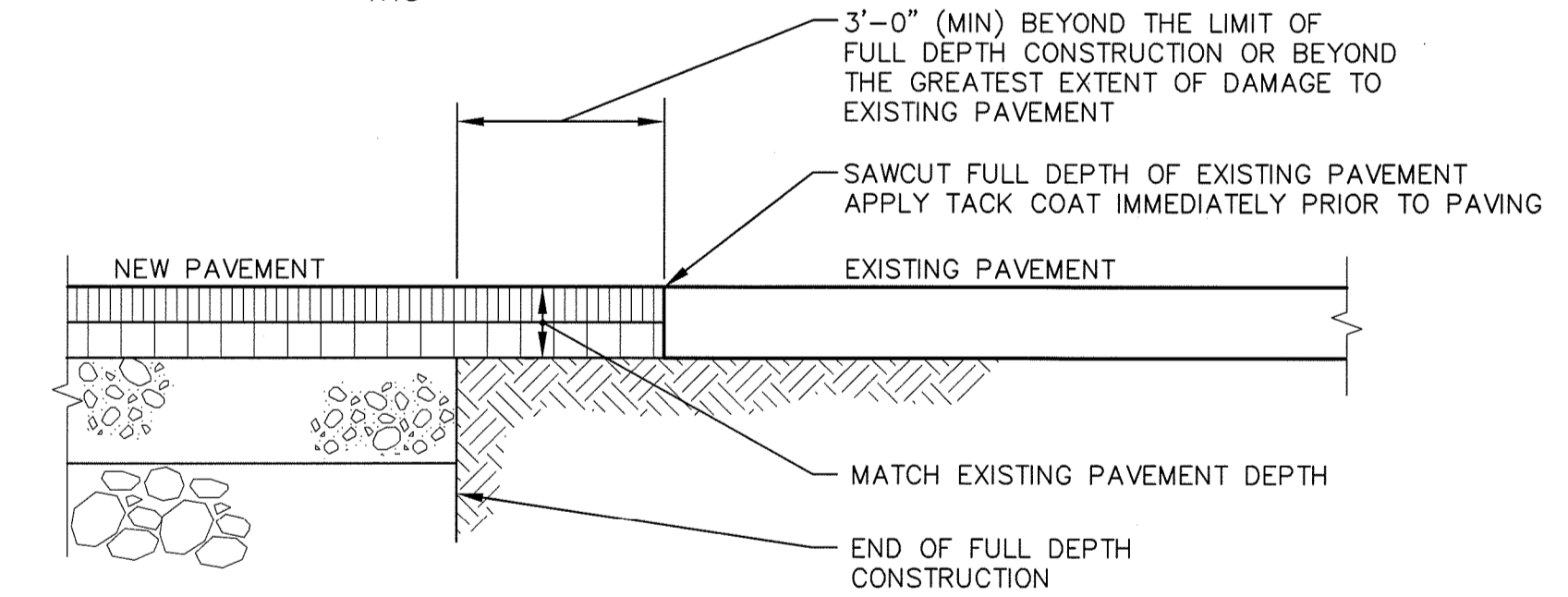
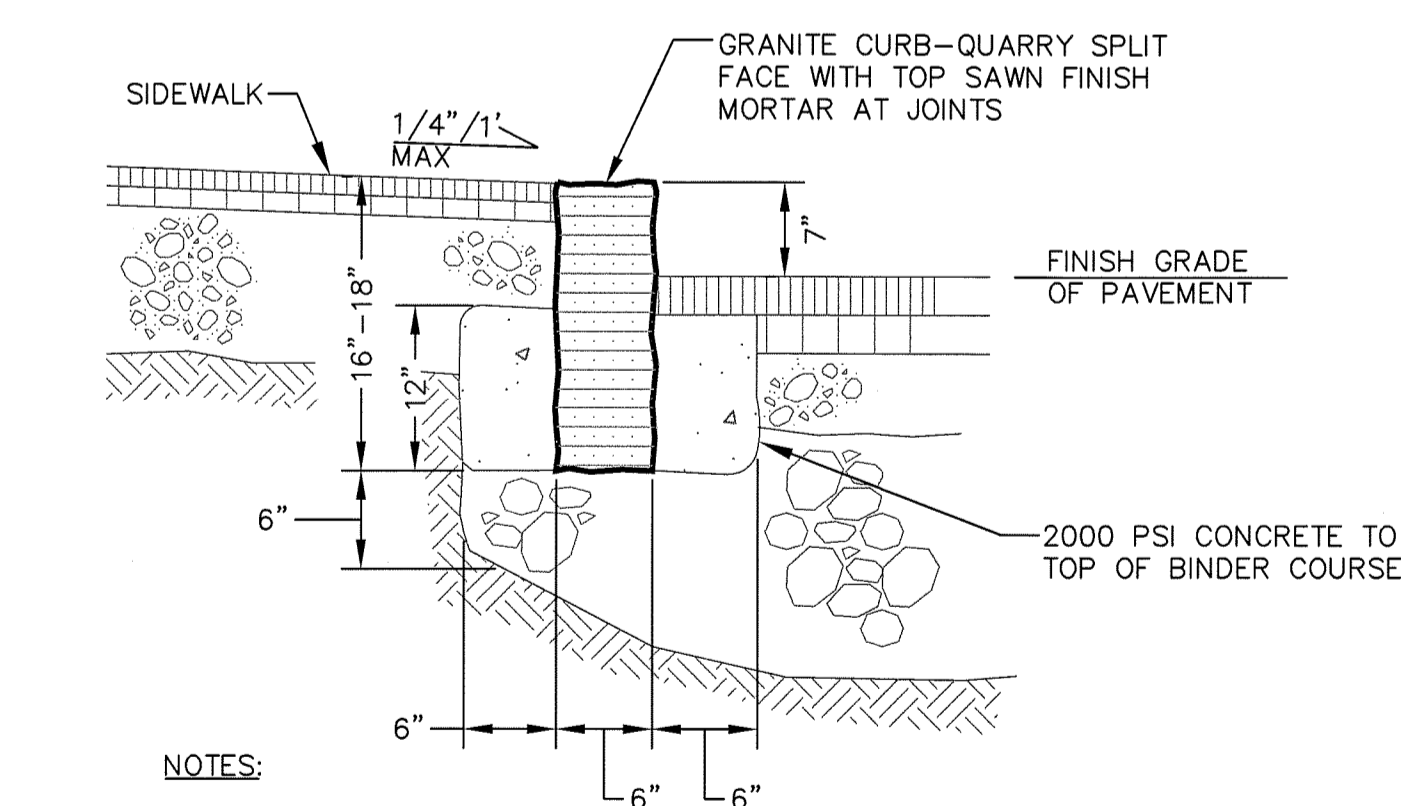


CONSTRUCTION	USE
1 1/4" HMA MDOT 9.5mm 2 1/4" HMA MDOT 19.0mm 4" COMPACTED AGGREGATE BASE, MDOT 703.06(a) TYPE A 14" COMPACTED AGGREGATE SUBBASE, MDOT 703.06(b) TYPE D COMPACTED SUBGRADE	<b>BITUMINOUS</b> ACCESS ROAD SERVICE AREA PARKING LOT
6" TOPSOIL, NO STONES OVER 3/4" DIA. GRANULAR MATERIAL IN FILL AREAS COMPACTED SUBGRADE	<b>GRASS</b> ALL DISTURBED AREAS

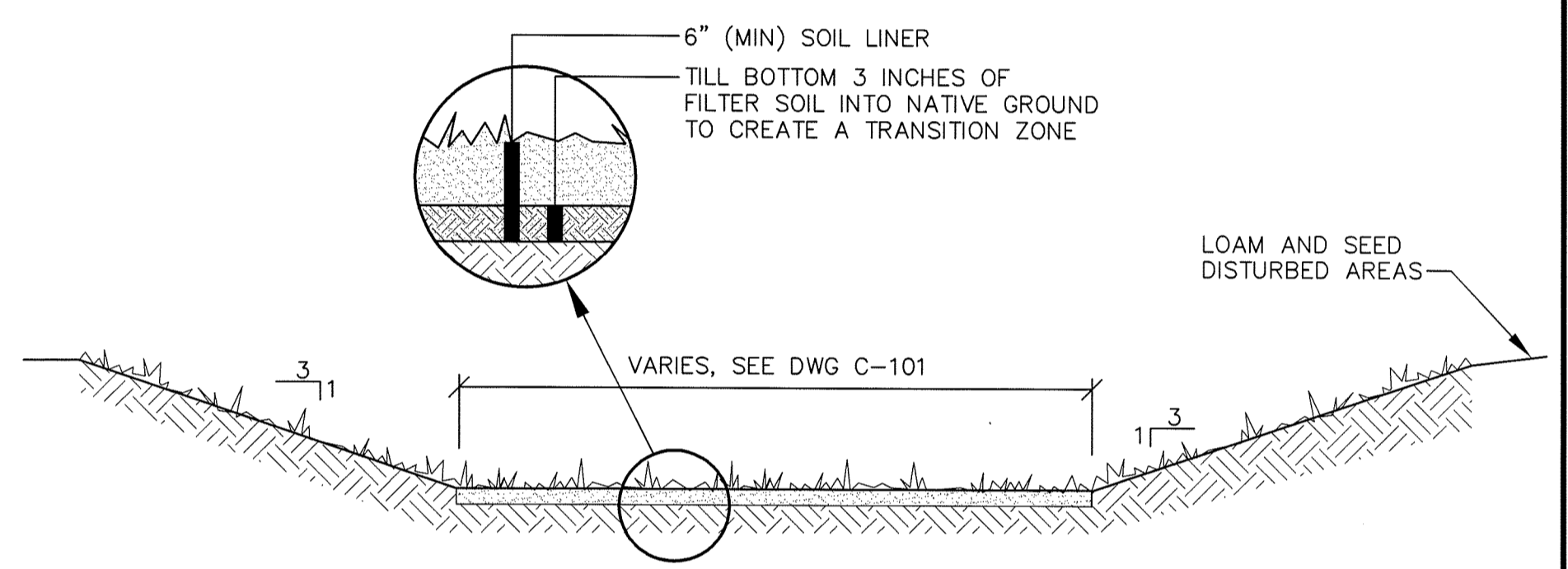


- NOTES:
- HMA = HOT MIX ASPHALT  
MDOT = MAINE DEPARTMENT OF TRANSPORTATION.
  - ALL COURSE THICKNESS AFTER FINAL COMPACTION.
  - SEE LANDSCAPE PLANS FOR SIDEWALK AND PATIO DETAILS

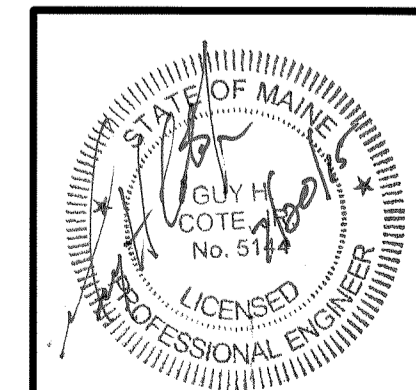
**SCHEDULE OF SURFACE FINISHES**  
NTS



REV.	BY	DATE	STATUS
DPD	7/15	SUBMITTED TO CITY OF PORTLAND FOR SITE PLAN REVIEW	



- CONSTRUCT THE INFILTRATION BASIN AFTER THE AREA THAT DRAINS TO IT IS STABILIZED WITH EROSION CONTROL MEASURES THAT WILL PREVENT SEDIMENT FROM REACHING THE BASIN.
  - GRADE THE INFILTRATION BASIN BOTTOM SO THAT IT IS LEVEL AND AT THE ELEVATIONS SHOWN ON THE PLAN AND SECTIONS.
  - PLACE 3" OF SOIL LINER OVER THE POND BOTTOM, TILL INTO EXISTING SOIL TO CREATE A TRANSITION ZONE. DO NOT COMPACT. PLACE AN ADDITIONAL 3" OF THE SOIL LINER OVER THE TRANSITION ZONE. THE LINER SHALL BE PLACED AND GRADED WITH AN EXCAVATOR. DO NOT OPERATE HEAVY EQUIPMENT ON THE LINER, SHAPE THE SURFACE OF THE LINER TO THE LINE, GRADE AND CROSS SECTION SPECIFIED WITH THE FINISH SURFACE NOT MORE THAN 1 1/2" ABOVE OR BELOW THE SPECIFIED GRADE. SOIL LINER TO BE A SOIL WITH A PERMEABILITY OF 1.50 INCHES PER HOUR. LINER SHALL CONTAIN NO STONES LARGER THAN 3" IN GREATEST DIMENSION.
  - SUBMIT SAMPLES OF THE LINER SOIL TO THE UNIVERSITY OF MAINE SOIL TESTING LABORATORY (OR OTHER SIMILAR LABORATORY) FOR PERMEABILITY TESTING AT VARIOUS DENSITIES AND RECOMMENDED LIMESTONE AND FERTILIZER RATES.
  - APPLY LIMESTONE AND FERTILIZER OVER THE LINER AND BASIN SIDESLOPES ACCORDING TO THE SOIL TEST RECOMMENDATIONS USING LIGHT SPREADING EQUIPMENT. WORK LIME AND AND FERTILIZER INTO SOIL TO A DEPTH OF 4 INCHES USING LIGHT EQUIPMENT.
  - APPLY SEED UNIFORMLY BY HAND, CYCLONE SEEDER, DRILL OR HYDROSEEDER (SLURRY INCLUDING SEED AND FERTILIZER). HYDROSEEDINGS, WHICH INCLUDE MULCH, MAY BE LEFT ON THE SOIL SURFACE. INCREASE SEEDING RATE 10% IF HYDROSEEDING. USE THE FOLLOWING SEED MIX:
- | SEED MIXTURE   | LBS / ACRE | LBS / 1000 SF |
|--|------------|---------------|
| CREeping RED FESCUE (PENNLAWN, ENSYLVA, WINTERGREEN) | 20         | .46           |
| RED TOP  | 2          | .05           |
| TALL FESCUE (KENTUCKY 31)                            | 20         | .46           |
| TOTAL  | 42         | .97           |



4 UNIT APARTMENT BUILDING  
93 ST. LAWRENCE STREET  
LARRY GROSS AND BARBARA COLBY  
PORTLAND, MAINE

**SECTIONS AND DETAILS**

**SME**  
Sevee & Maher Engineers, Inc.

ENVIRONMENTAL • CIVIL • GEOTECHNICAL • WATER • COMPLIANCE  
4 Blanchard Road, PO Box 85A, Cumberland Center, Maine 04021  
Phone 207.829.5016 • Fax 207.829.5692 • www.smeinc.com

DESIGN BY: DPD  
DRAWN BY: JRL  
DATE: 4/27/2015  
CHECKED BY: [Signature]  
LMN: NONE  
CTB: SME-STD

JOB NO. 15086.00 DWG FILE DETAILS **C-301**