

Air-Conditioners OUTDOOR UNIT

MXZ-8C48NA

MXZ-4C36/5C42/8C48NAHZ



INSTALLATION MANUAL

For safe and correct use, please read this installation manual thoroughly before installing the air-conditioner unit.

FOR INSTALLER

MANUEL D'INSTALLATION

Veillez lire le manuel d'installation en entier avant d'installer ce climatiseur pour éviter tout accident et vous assurer d'une utilisation correcte.

POUR L'INSTALLATEUR

MANUAL DE INSTALACIÓN

Para un uso seguro y correcto, lea detalladamente este manual de instalación antes de montar la unidad de aire acondicionado.

PARA EL INSTALADOR

English

Français

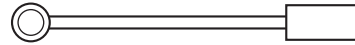
Español

Contents

1. Safety precautions	2	6. Drainage piping work	10
2. Installation diagram & parts	3	7. Electrical work	10
3. Installation location	4	8. Test run	16
4. Installing the outdoor unit	6	9. Special Functions	17
5. Installing the refrigerant piping	6		

Confirmation of parts attached

In addition to this manual, the following parts are supplied with the outdoor unit. They are used for grounding the S terminals of transmission terminal blocks TB3, TB7. For details refer to "7. Electrical work".



Grounding lead wire (× 2)

1. Safety precautions

- ▶ Before installing the unit, make sure you read all the "Safety precautions".
- ▶ Please report to or take consent by the supply authority before connection to the system.

⚠ Warning:
Describes precautions that must be observed to prevent danger of injury or death to the user.

⚠ Caution:
Describes precautions that must be observed to prevent damage to the unit.

- ⚠ Warning:**
- The unit must not be installed by the user. Ask a dealer or an authorized technician to install the unit. If the unit is installed incorrectly, water leakage, electric shock, or fire may result.
 - For installation work, follow the instructions in the Installation Manual and use tools and pipe components specifically made for use with R410A refrigerant.
 - The R410A refrigerant in the HFC system is pressurized 1.6 times the pressure of usual refrigerants. If pipe components not designed for R410A refrigerant are used and the unit is not installed correctly, the pipes may burst and cause damage or injuries. In addition, water leakage, electric shock, or fire may result.
 - The unit must be installed according to the instructions in order to minimize the risk of damage from earthquakes, typhoons, or strong winds. An incorrectly installed unit may fall down and cause damage or injuries.
 - The unit must be securely installed on a structure that can sustain its weight. If the unit is mounted on an unstable structure, it may fall down and cause damage or injuries.
 - If the air conditioner is installed in a small room, measures must be taken to prevent the refrigerant concentration in the room from exceeding the safety limit in the event of refrigerant leakage. Consult a dealer regarding the appropriate measures to prevent the allowable concentration from being exceeded. Should the refrigerant leak and cause the concentration limit to be exceeded, hazards due to lack of oxygen in the room may result.
 - Ventilate the room if refrigerant leaks during operation. If refrigerant comes into contact with a flame, poisonous gases will be released.
 - All electric work must be performed by a qualified technician according to local regulations and the instructions given in this manual. The units must be powered by dedicated power lines and the correct voltage and circuit breakers must be used. Power lines with insufficient capacity or incorrect electrical work may result in electric shock or fire.
 - Be sure to connect the power supply cords and the connecting wires for the indoor units, outdoor units, and branch boxes directly to the units (no intermediate connections).

After installation work has been completed, explain the "Safety Precautions" use, and maintenance of the unit to the customer according to the information in the Operation Manual and perform the test run to ensure normal operation. Both the Installation Manual and Operation Manual must be given to the user for keeping. These manuals must be passed on to subsequent users.

⚡ : Indicates a part which must be grounded.

⚠ Warning:
Carefully read the labels affixed to the main unit.

- Intermediate connections can lead to communication errors if water enters the cords or wires and causes insufficient insulation to ground or a poor electrical contact at the intermediate connection point. (If an intermediate connection is necessary, be sure to take measures to prevent water from entering the cords and wires.)
- Use C1220 copper phosphorus, for copper and copper alloy seamless pipes, to connect the refrigerant pipes. If the pipes are not connected correctly, the unit will not be properly grounded and electric shock may result.
 - Use only specified cables for wiring. The wiring connections must be made securely with no tension applied on the terminal connections. Also, never splice the cables for wiring (unless otherwise indicated in this document). Failure to observe these instructions may result in overheating or a fire.
 - The terminal block cover panel of the outdoor unit must be firmly attached. If the cover panel is mounted incorrectly and dust and moisture enter the unit, electric shock or fire may result.
 - When installing or relocating, or servicing the outdoor unit, use only the specified refrigerant (R410A) to change the refrigerant lines. Do not mix it with any other refrigerant and do not allow air to remain in the lines. If air is mixed with the refrigerant, then it can be the cause of abnormal high pressure in the refrigerant line, and may result in an explosion and other hazards. The use of any refrigerant other than that specified for the system will cause mechanical failure or system malfunction or unit breakdown. In the worst case, this could lead to a serious impediment to securing product safety.
 - Use only accessories authorized by Mitsubishi Electric and ask a dealer or an authorized technician to install them. If accessories are incorrectly installed, water leakage, electric shock, or fire may result.
 - Do not alter the unit. Consult a dealer for repairs. If alterations or repairs are not performed correctly, water leakage, electric shock, or fire may result.
 - The user should never attempt to repair the unit or transfer it to another location. If the unit is installed incorrectly, water leakage, electric shock, or fire may result. If the air conditioner must be repaired or moved, ask a dealer or an authorized technician.
 - After installation has been completed, check for refrigerant leaks. If refrigerant leaks into the room and comes into contact with the flame of a heater or portable cooking range, poisonous gases will be released.

1.1. Before installation

- ⚠ Caution:**
- Do not use the unit in an unusual environment. If the air conditioner is installed in areas exposed to steam, volatile oil (including machine oil), or sulfuric gas, areas exposed to high salt content such as the seaside, or areas where the unit will be covered by snow, the performance can be significantly reduced and the internal parts can be damaged.
 - Do not install the unit where combustible gases may leak, be produced, flow, or accumulate. If combustible gas accumulates around the unit, fire or explosion may result.

- The outdoor unit produces condensation during the heating operation. Make sure to provide drainage around the outdoor unit if such condensation is likely to cause damage.
- When installing the unit in a hospital or communications office, be prepared for noise and electronic interference. Inverters, home appliances, high-frequency medical equipment, and radio communications equipment can cause the air conditioner to malfunction or breakdown. The air conditioner may also affect medical equipment, disturbing medical care, and communications equipment, harming the screen display quality.

1.2. Before installation (relocation)

- ⚠ Caution:**
- Be extremely careful when transporting the units. 2 or more persons are needed to handle the unit, as it weighs 20 kg, 44 lbs or more. Do not grasp the packaging bands. Wear protective gloves to remove the unit from the packaging and to move it, as you can injure your hands on the fins or the edge of other parts.
 - Be sure to safely dispose of the packaging materials. Packaging materials, such as nails and other metal or wooden parts may cause stabs or other injuries.

- The base and attachments of the outdoor unit must be periodically checked for looseness, cracks or other damage. If such defects are left uncorrected, the unit may fall down and cause damage or injuries.
- Do not clean the air conditioner unit with water. Electric shock may result.
- Tighten all flare nuts to specification using a torque wrench. If tightened too much, the flare nut can break after an extended period and refrigerant can leak out.

1. Safety precautions

1.3. Before electric work

⚠ Caution:

- Be sure to install circuit breakers. If not installed, electric shock may result.

IMPORTANT

Make sure that the current leakage breaker is one compatible with higher harmonics.

Always use a current leakage breaker that is compatible with higher harmonics as this unit is equipped with an inverter.

The use of an inadequate breaker can cause the incorrect operation of inverter.

- For the power lines, use standard cables of sufficient capacity. Otherwise, a short circuit, overheating, or fire may result.

1.4. Before starting the test run

⚠ Caution:

- Turn on the main power switch more than 12 hours before starting operation. Starting operation just after turning on the power switch can severely damage the internal parts. Keep the main power switch turned on during the operation season.
- Before starting operation, check that all panels, guards and other protective parts are correctly installed. Rotating, hot, or high voltage parts can cause injuries.

1.5. Using R410A refrigerant air conditioners

⚠ Caution

- Use C1220 copper phosphorus, for copper and copper alloy seamless pipes, to connect the refrigerant pipes. Make sure the insides of the pipes are clean and do not contain any harmful contaminants such as sulfuric compounds, oxidants, debris, or dust. Use pipes with the specified thickness. (Refer to page 6) Note the following if reusing existing pipes that carried R22 refrigerant.
 - Replace the existing flare nuts and flare the flared sections again.
 - Do not use thin pipes. (Refer to page 6)
- Store the pipes to be used during installation indoors and keep both ends of the pipes sealed until just before brazing. (Leave elbow joints, etc. in their packaging.) If dust, debris, or moisture enters the refrigerant lines, oil deterioration or compressor breakdown may result.
- Use ester oil, ether oil, alkylbenzene oil (small amount) as the refrigeration oil applied to the flared sections. If mineral oil is mixed in the refrigeration oil, oil deterioration may result.

- When installing the power lines, do not apply tension to the cables. If the connections are loosened, the cables can snap or break and overheating or fire may result.
- Be sure to ground the unit. Do not connect the ground wire to gas or water pipes, lighting rods, or telephone grounding lines. If the unit is not properly grounded, electric shock may result.
- Use circuit breakers (ground fault interrupter, isolating switch (+B fuse), and molded case circuit breaker) with the specified capacity. If the circuit breaker capacity is larger than the specified capacity, breakdown or fire may result.

- Do not touch any switch with wet hands. Electric shock may result.
- Do not touch the refrigerant pipes with bare hands during operation. The refrigerant pipes are hot or cold depending on the condition of the flowing refrigerant. If you touch the pipes, burns or frostbite may result.
- After stopping operation, be sure to wait at least 5 minutes before turning off the main power switch. Otherwise, water leakage or breakdown may result.

- Do not use refrigerant other than R410A refrigerant. If another refrigerant is used, the chlorine will cause the oil to deteriorate.
- Use the following tools specifically designed for use with R410A refrigerant. The following tools are necessary to use R410A refrigerant. Contact your nearest dealer for any questions.

Tools (for R410A)	
Gauge manifold	Flare tool
Charge hose	Size adjustment gauge
Gas leak detector	Vacuum pump adapter
Torque wrench	Electronic refrigerant charging scale

- Be sure to use the correct tools. If dust, debris, or moisture enters the refrigerant lines, refrigeration oil deterioration may result.
- Do not use a charging cylinder. If a charging cylinder is used, the composition of the refrigerant will change and the efficiency will be lowered.

2. Installation diagram & parts

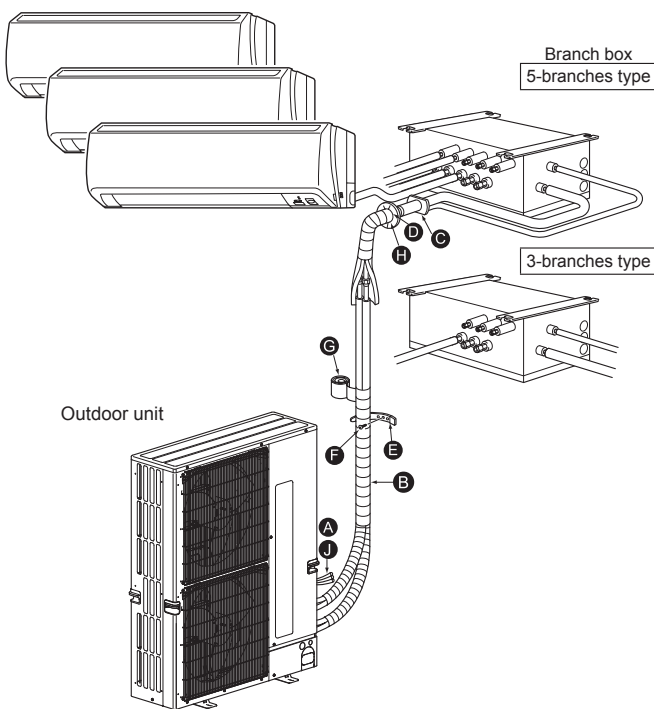


Fig. 2-1

2.1. Before installation (Fig. 2-1)

This installation manual is only for the outdoor unit installation. In installing the indoor units and branch box, refer to the installation manual attached to each unit.

Any structural alterations necessary for the installation must comply with the local building code requirements.

This diagram is intended to show the configuration of accessories. For actual installation, the outdoor unit is to be turned 180°.

Units should be installed by licensed contractor according to local code requirement.

Note:

The dimensions given along the arrows above are required to guarantee the air conditioner's performance. Install the unit in as wide a place as possible for later service or repairs.

Parts to be locally procured

A	Branch box/outdoor unit connecting wire (3-core)	1
B	Extension pipe	1
C	Wall hole sleeve	1
D	Wall hole cover	1
E	Pipe fixing band (The quantity depends on the pipe length.)	2 to 7
F	Fixing screw for E 4 × 20 mm (13/16") (The quantity depends on the pipe length.)	2 to 7
G	Piping tape	1
H	Putty	1
I	Refrigeration oil	1
J	Power supply cord (2-core, Refer to 7.3. Wiring transmission cables)	1

3. Installation location

3.1. Refrigerant pipe

Refer to 5.2. Pipe length and height difference.

3.2. Choosing the outdoor unit installation location

- Avoid locations exposed to direct sunlight or other sources of heat.
- Select a location from which noise emitted by the unit will not inconvenience neighbors.
- Select a location permitting easy wiring and pipe access to the power source and indoor unit.
- Avoid locations where combustible gases may leak, be produced, flow, or accumulate.
- Note that water may drain from the unit during operation.
- Select a level location that can bear the weight and vibration of the unit.
- Avoid locations where the unit can be covered by snow. In areas where heavy snow fall is anticipated, special precautions such as raising the installation location or installing a hood on the air intake must be taken to prevent the snow from blocking the air intake or blowing directly against it. This can reduce the airflow and a malfunction may result.
- Avoid locations exposed to oil, steam, or sulfuric gas.
- Use the transportation handles of the outdoor unit to transport the unit. If the unit is carried from the bottom, hands or fingers may be pinched.

3.3. Outline dimensions (Outdoor unit) (Fig. 3-1)

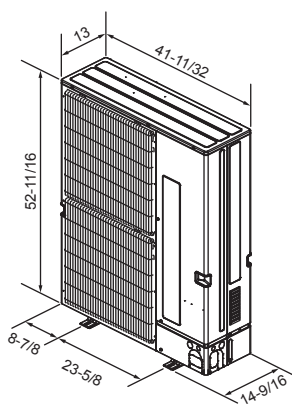


Fig. 3-1

3.4. Constraints on indoor unit and branch box installation

You should note that indoor units that can be connected to this outdoor unit have the following constraints.

- Indoor units with model numbers 06, 09, 12, 15, 18, 24, 30, and 36 can be connected.
 - For the number of units that can be connected, refer to Table 1 below.
 - The total rated capacity (cooling) of the connected indoor units (refer to Table 2) must not exceed 130% of the outdoor unit capacity (refer to the capacity range of connected units in Table 1).
- In addition, up to 2 branch boxes can be connected.

Table 1: Number of units that can be connected and capacity range of connected units

Outdoor unit model name	Number of units that can be connected	Capacity range of connected units
MXZ-4C36	2 – 4* units	12 – 46 kBTU/h
MXZ-5C42	2 – 5* units	12 – 54 kBTU/h
MXZ-8C48	2 – 8* units	12 – 62 kBTU/h

* For the MVZ series, a maximum of 2 units can be connected. However, when 2 MVZ-series units are connected, other indoor units cannot be connected.

Table 2: Rated capacity (cooling) of the indoor units

Model No.	06	09	12	15	18	24	30	36
Rated capacity (Cooling)	6	9	12	15	18	24	30	36

Example: MXZ-8C48

$$\begin{array}{r}
 \text{MSZ-18} = 18 \\
 + \\
 \text{SEZ-12} = 12 \\
 + \\
 \text{SLZ-12} = 12 \\
 + \\
 \text{SLZ-09} = 9 \\
 + \\
 \text{SLZ-09} = 9 \\
 \hline
 \text{Total rated capacity} \\
 60 \leq 62 \text{ kBTU/h}
 \end{array}$$

Combinations in which the total capacity of indoor units exceeds the capacity of the outdoor unit will reduce the cooling capacity of each indoor unit below their rated cooling capacity. Thus, combine indoor units with an outdoor unit within the outdoor unit's capacity, if possible.

3.5. Ventilation and service space

3.5.1. Windy location installation

When installing the outdoor unit on a rooftop or other location unprotected from the wind, situate the air outlet of the unit so that it is not directly exposed to strong winds. Strong wind entering the air outlet may impede the normal airflow and a malfunction may result.

The following shows 3 examples of precautions against strong winds.

- ① Face the air outlet towards the nearest available wall about 50 cm (19-11/16") away from the wall. (Fig. 3-2)
- ② Install an optional air guide if the unit is installed in a location where strong winds from a typhoon, etc. may directly enter the air outlet. (Fig. 3-3)
 - Ⓐ Air guide
- ③ Position the unit so that the air outlet blows perpendicularly to the seasonal wind direction, if possible. (Fig. 3-4)
 - Ⓑ Wind direction

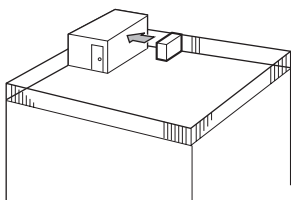


Fig. 3-2

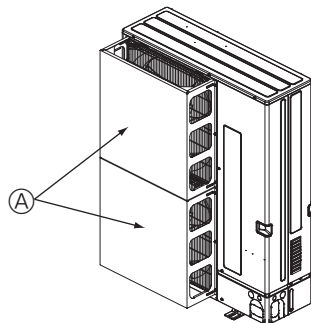


Fig. 3-3

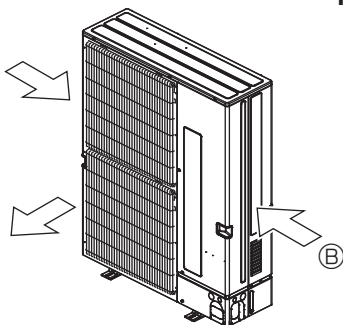


Fig. 3-4

3. Installation location

(inch)

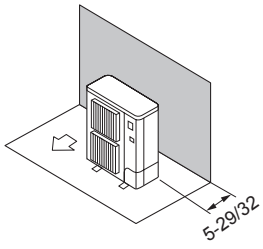


Fig. 3-5

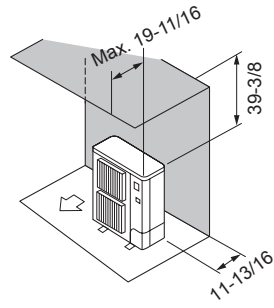


Fig. 3-6

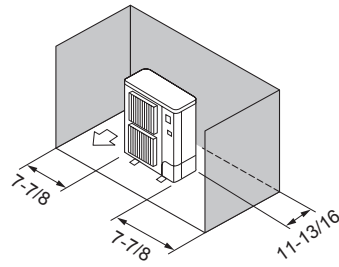


Fig. 3-7

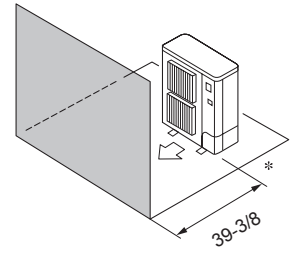


Fig. 3-8

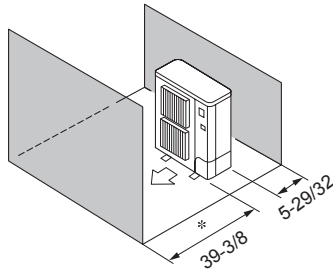


Fig. 3-9

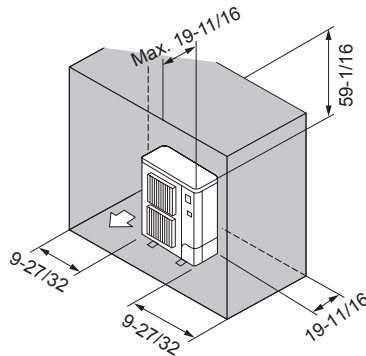


Fig. 3-10

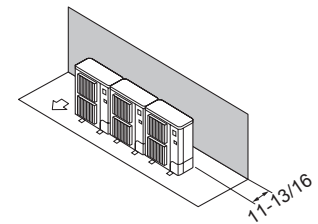


Fig. 3-11

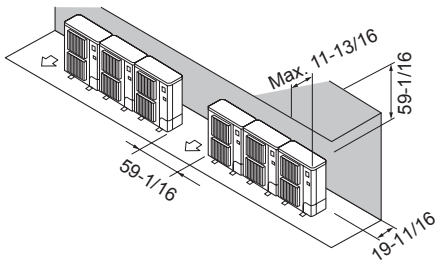


Fig. 3-12

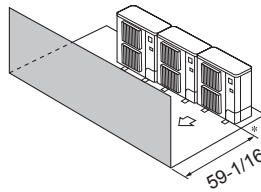


Fig. 3-13

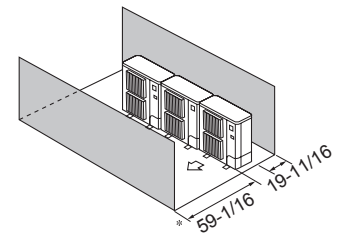


Fig. 3-14

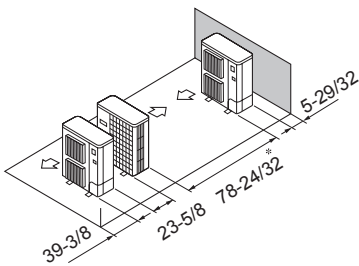


Fig. 3-15

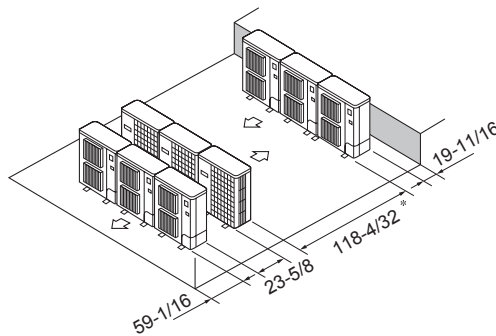


Fig. 3-16

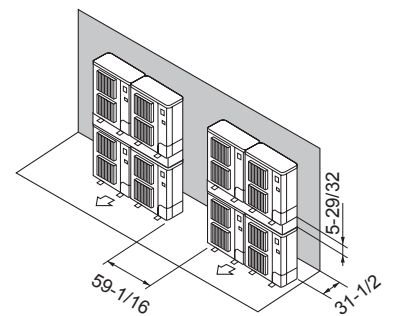


Fig. 3-17

3.5.2. When installing a single outdoor unit

Minimum dimensions are as follows, except for Max., meaning Maximum dimensions, indicated.

Refer to the figures for each case.

- ① Obstacles at rear only (Fig. 3-5)
- ② Obstacles at rear and above only (Fig. 3-6)
- ③ Obstacles at rear and sides only (Fig. 3-7)
- ④ Obstacles at front only (Fig. 3-8)
- ⑤ Obstacles at front and rear only (Fig. 3-9)
- ⑥ Obstacles at rear, sides, and above only (Fig. 3-10)

* When using the optional air outlet guides, the clearance is 19-11/16" (500 mm) or more.

* When using the optional air outlet guides, the clearance is 19-11/16" (500 mm) or more.

• Do not install the optional air outlet guides for upward airflow.

3.5.3. When installing multiple outdoor units

Leave 1" (25 mm) space or more between the units.

- ① Obstacles at rear only (Fig. 3-11)
- ② Obstacles at rear and above only (Fig. 3-12)
 - No more than 3 units must be installed side by side. In addition, leave space as shown.
 - Do not install the optional air outlet guides for upward airflow.
- ③ Obstacles at front only (Fig. 3-13)
 - * When using the optional air outlet guides, the clearance is 39-3/8" (1000 mm) or more.
- ④ Obstacles at front and rear only (Fig. 3-14)
 - * When using the optional air outlet guides, the clearance is 39-3/8" (1000 mm) or more.
- ⑤ Single parallel unit arrangement (Fig. 3-15)
 - * When using the optional air outlet guides installed for upward airflow, the clearance is 39-3/8" (1000 mm) or more.
- ⑥ Multiple parallel unit arrangement (Fig. 3-16)
 - * When using the optional air outlet guides installed for upward airflow, the clearance is 59-1/16" (1500 mm) or more.
- ⑦ Stacked unit arrangement (Fig. 3-17)
 - The units can be stacked up to 2 units high.
 - No more than 2 stacked units must be installed side by side. In addition, leave space as shown.

4. Installing the outdoor unit

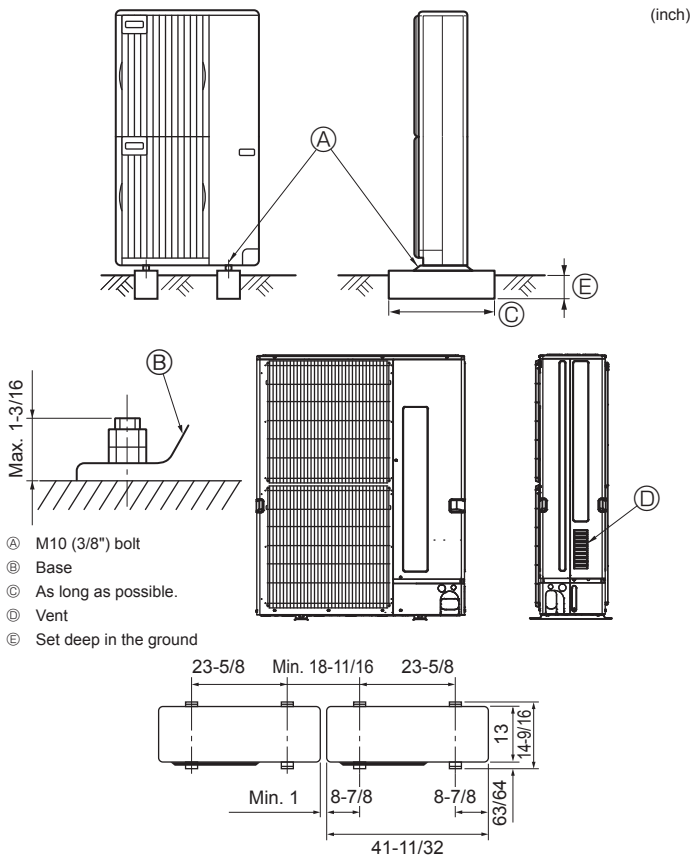


Fig. 4-1

(inch)

- Be sure to install the unit in a sturdy, level surface to prevent rattling noises during operation. (Fig. 4-1)

<Foundation specifications>

Foundation bolt	M10 (3/8")
Thickness of concrete	120 mm (4-23/32")
Length of bolt	70 mm (2-3/4")
Weight-bearing capacity	320 kg (705 lbs)

- Make sure that the length of the foundation bolt is within 30 mm (1-3/16") of the bottom surface of the base.
- Secure the base of the unit firmly with four-M10 foundation bolts in sturdy locations.

Installing the outdoor unit

- Do not block the vent. If the vent is blocked, operation will be hindered and breakdown may result.
- In addition to the unit base, use the installation holes on the back of the unit to attach wires, etc., if necessary to install the unit. Use self-tapping screws ($\phi 5 \times 15$ mm, $\phi 13/16" \times 19/32"$ or less) and install on site.

Warning:

- **The unit must be securely installed on a structure that can sustain its weight. If the unit is mounted on an unstable structure, it may fall down and cause damage or injuries.**
- **The unit must be installed according to the instructions in order to minimize the risk of damage from earthquakes, typhoons, or strong winds. An incorrectly installed unit may fall down and cause damage or injuries.**

Caution:

- **Install the unit on a rigid structure to prevent excessive operation sound or vibration.**

5. Installing the refrigerant piping

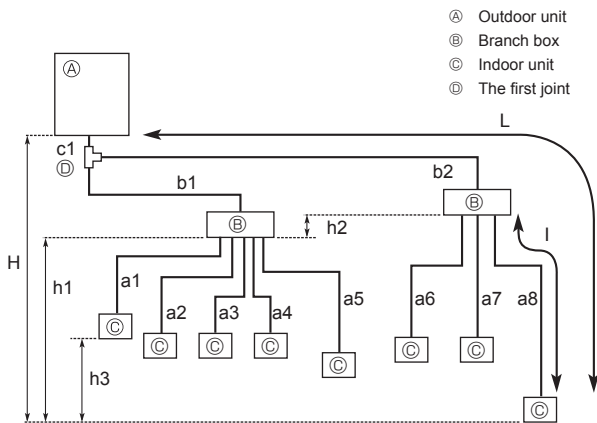


Fig. 5-1

5.1. Precautions for devices that use R410A refrigerant

- Refer to page 3 for precautions not included below on using air conditioners with R410A refrigerant.
- Use ester oil, ether oil, alkylbenzene oil (small amount) as the refrigeration oil applied to the flared sections.
- Use C1220 copper phosphorus, for copper and copper alloy seamless pipes, to connect the refrigerant pipes. Use refrigerant pipes with the thicknesses specified in the table to the below. Make sure the insides of the pipes are clean and do not contain any harmful contaminants such as sulfuric compounds, oxidants, debris, or dust.

Warning:

When installing or relocating, or servicing the outdoor unit, use only the specified refrigerant (R410A) to charge the refrigerant lines. Do not mix it with any other refrigerant and do not allow air to remain in the lines. If air is mixed with the refrigerant, then it can be the cause of abnormal high pressure in the refrigerant line, and may result in an explosion and other hazards. The use of any refrigerant other than that specified for the system will cause mechanical failure or system malfunction or unit breakdown. In the worst case, this could lead to a serious impediment to securing product safety.

$\phi 6.35$ mm (1/4 inch), $\phi 9.52$ mm (3/8 inch), $\phi 12.7$ mm (1/2 inch)	Thickness 0.8 mm (1/32 inch)
$\phi 15.88$ (5/8 inch)	Thickness 1.0 mm (5/128 inch)

- Do not use pipes thinner than those specified above.

- **The thicknesses listed in the table above are based on Japanese standards. Use pipes with a maximum working pressure of 4.15 MPa [601 PSIG] or higher according to local standards.**

Permissible length (one-way)	Total piping length	$c1 + b1 + b2 + a1 + a2 + a3 + a4 + a5 + a6 + a7 + a8 \leq 150$ m (492 ft.)
	Farthest piping length (L)	$c1 + b2 + a8 \leq 80$ m (262 ft.) ($b2 \leq 55$ m (180 ft.), $a8 \leq 25$ m (82 ft.))
	Piping length between outdoor unit and branch boxes	$c1 + b1 + b2 \leq 55$ m (180 ft.)
	Farthest branch box from the first joint (b2)	$b2 \leq 30$ m (98 ft.)
	Farthest piping length after branch box (l)	$a8 \leq 25$ m (82 ft.)
Permissible height difference (one-way)	Total piping length between branch boxes and indoor units	$a1 + a2 + a3 + a4 + a5 + a6 + a7 + a8 \leq 95$ m (311 ft.)
	In indoor/outdoor section (H) *1	$H \leq 50$ m (164 ft.) (In case of outdoor unit is set higher than indoor unit) $H \leq 40$ m (131 ft.) (In case of outdoor unit is set lower than indoor unit)
	In branch box/indoor unit section (h1)	$h1 + h2 \leq 15$ m (49 ft.)
	In each branch unit (h2)	$h2 \leq 15$ m (49 ft.)
Number of bends	In each indoor unit (h3)	$h3 \leq 12$ m (39 ft.)
		$ c1 + b1 + a1 , c1 + b1 + a2 , c1 + b1 + a3 , c1 + b1 + a4 , c1 + b1 + a5 , c1 + b2 + a6 , c1 + b2 + a7 , c1 + b2 + a8 \leq 15$

*1 Branch box should be placed within the level between the outdoor unit and indoor units.

5. Installing the refrigerant piping

5.2. Pipe length and height difference (Fig. 5-1)

Flared connections

- This unit has flared connections on each indoor unit and branch box and outdoor unit sides.

- Remove the valve cover of the outdoor unit, then connect the pipe.
- Refrigerant pipes are used to connect the branch box and outdoor unit.

5.3. Additional refrigerant charge

Additional refrigerant charge

Refrigerant for the extended piping is not included in the outdoor unit when the unit is shipped from the factory. Therefore, charge each refrigerant piping system with additional refrigerant at the installation site. In addition, in order to carry out service, enter the size and length of each liquid pipe and additional refrigerant charge amounts in the spaces provided on the "Refrigerant amount" plate on the outdoor unit.

Calculation of additional refrigerant charge

- Calculate the additional charge using the liquid pipe size and length of the extended piping and total capacity of connected indoor units.
- Calculate the additional refrigerant charge using the procedure shown to the right, and charge with the additional refrigerant.
- For amounts less than 0.1 kg, round up the calculated additional refrigerant charge.
(For example, if the calculated charge is 6.01 kg, round up the charge to 6.1 kg.)

<Additional Charge>

Calculation of refrigerant charge

Pipe size Liquid pipe ø6.35 (m) × 19.0 (g/m) (0.21 (oz/ft))	+	Pipe size Liquid pipe ø9.52 (m) × 50.0 (g/m) (0.55 (oz/ft))	+	Total capacity of connected indoor units - 27	Amount for the indoor units 1.5 kg (53 oz)
				28 - 54	2.5 kg (88 oz)
				55 - 62	3.0 kg (106 oz)

Included refrigerant amount when shipped from the factory

Included refrigerant amount
4.8 kg (10 lbs, 9 oz)

<Example>

Outdoor model : MXZ-8C48NAHZ

Indoor	1: model 24	A: ø9.52 30 m	a: ø9.52 15 m (49 ft)	} At the conditions below:
	2: model 15		b: ø6.35 10 m (33 ft)	
	3: model 09		c: ø6.35 10 m (33 ft)	
	4: model 09		d: ø6.35 20 m (66 ft)	

The total length of each liquid line is as follows:

ø9.52 : A + a = 30 + 15 = 45 m (148 ft)

ø6.35 : b + c + d = 10 + 10 + 20 = 40 m (131 ft)

The total capacity of connected indoor unit is as follows:

24 + 15 + 09 + 09 = 57

<Calculation example>

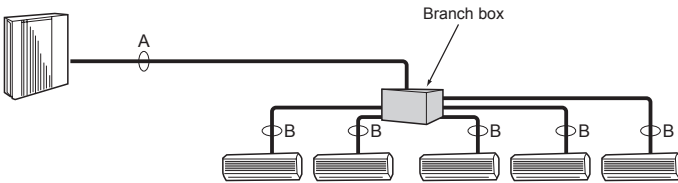
Additional refrigerant charge

$$40 \times \frac{19.0}{1000} + 45 \times \frac{50.0}{1000} + 3.0 = 6.1 \text{ kg (rounded up)}$$

$$(131 \times 0.21 + 148 \times 0.55 + 106 = 215 \text{ oz})$$

■ In case of using 1-branch box

Flare connection employed. (No. brazing)



■ In case of using 2-branch boxes

2 branches pipe (joint)
: optional parts.

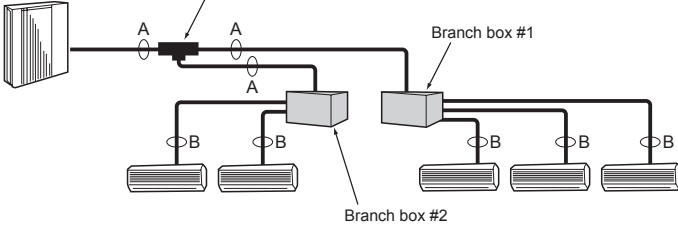


Fig. 5-2

(1) Valve size for outdoor unit

For liquid	ø9.52 mm (3/8 inch)
For gas	ø15.88 mm (5/8 inch)

(2) Valve size for branch box

A UNIT	Liquid pipe	ø6.35 mm (1/4 inch)
	Gas pipe	ø9.52 mm (3/8 inch)
B UNIT	Liquid pipe	ø6.35 mm (1/4 inch)
	Gas pipe	ø9.52 mm (3/8 inch)
C UNIT	Liquid pipe	ø6.35 mm (1/4 inch)
	Gas pipe	ø9.52 mm (3/8 inch)
D UNIT	Liquid pipe	ø6.35 mm (1/4 inch)
	Gas pipe	ø9.52 mm (3/8 inch)
E UNIT	Liquid pipe	ø6.35 mm (1/4 inch)
	Gas pipe	ø12.7 mm (1/2 inch)

* 3-branch type : only A, B, C unit

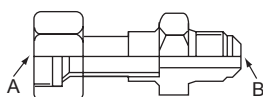


Fig. 5-3

Conversion formula

1/4 F	ø6.35 (1/4)
3/8 F	ø9.52 (3/8)
1/2 F	ø12.7 (1/2)
5/8 F	ø15.88 (5/8)
3/4 F	ø19.05 (3/4)

5.4. Selecting pipe size (Fig. 5-2)

Conversion formula

	A	B
Liquid	ø9.52 mm (3/8 inch)	The piping connection size differs according to the type and capacity of indoor units. Match the piping connection size of branch box with indoor unit. If the piping connection size of branch box does not match the piping connection size of indoor unit, use optional different-diameter (deformed) joints to the branch box side. (Connect deformed joint directly to the branch box side.)
Gas	ø15.88 mm (5/8 inch)	

Different-diameter joint (optional parts) (Fig. 5-3)

Model name	Connected pipes diameter	Diameter A	Diameter B
	mm (inch)	mm (inch)	mm (inch)
MAC-A454JP	ø9.52 (3/8) → ø12.7 (1/2)	ø9.52 (3/8)	ø12.7 (1/2)
MAC-A455JP	ø12.7 (1/2) → ø9.52 (3/8)	ø12.7 (1/2)	ø9.52 (3/8)
MAC-A456JP	ø12.7 (1/2) → ø15.88 (5/8)	ø12.7 (1/2)	ø15.88 (5/8)
PAC-493PI	ø6.35 (1/4) → ø9.52 (3/8)	ø6.35 (1/4)	ø9.52 (3/8)
PAC-SG76RJ-E	ø9.52 (3/8) → ø15.88 (5/8)	ø9.52 (3/8)	ø15.88 (5/8)

Piping preparation

① Table below shows the specifications of pipes commercially available.

Outside diameter	Insulation thickness	Insulation material
mm (inch)	mm (inch)	
6.35 (1/4)	8 (5/16)	Heat resisting foam plastic 0.045 specific gravity
9.52 (3/8)	8 (5/16)	
12.7 (1/2)	8 (5/16)	
15.88 (5/8)	8 (5/16)	

② Ensure that the 2 refrigerant pipes are insulated to prevent condensation.

③ Refrigerant pipe bending radius must be 4" (100 mm) or more.

⚠ Caution

Be sure to use the insulation of specified thickness. Excessive thickness may cause incorrect installation of the indoor unit and branch box, and lack of thickness may cause dew drip.

2-branch pipe (Joint) : Optional parts (According to the connection method, you can choose the favorite one.

Model name	Connection method
MSDD-50AR-E	flare
MSDD-50BR-E	brazing

■ Installation procedure (2 branches pipe (Joint))

Refer to the installation manuals of MSDD-50AR-E and MSDD-50BR-E.

5. Installing the refrigerant piping

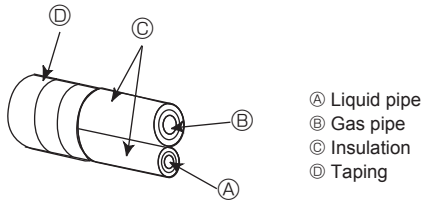
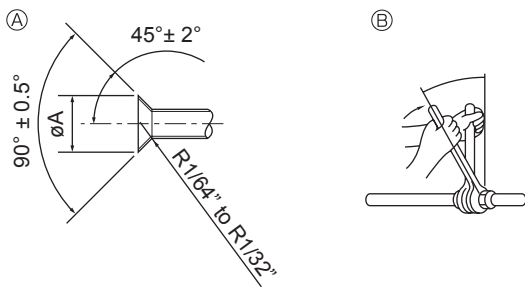


Fig. 5-4

- Ⓐ Liquid pipe
- Ⓑ Gas pipe
- Ⓒ Insulation
- Ⓓ Taping



- Ⓐ Flare cutting dimensions
- Ⓑ Flare nut tightening torque

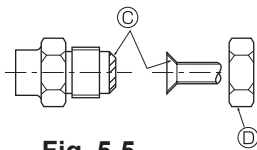


Fig. 5-5

Ⓐ (Fig. 5-5)

Copper pipe O.D. (mm) (inch)	Flare dimensions ϕA dimensions (mm) (inch)
$\phi 6.35$ (1/4)	8.7 - 9.1 (5/16 - 3/8)
$\phi 9.52$ (3/8)	12.8 - 13.2 (1/2)
$\phi 12.7$ (1/2)	16.2 - 16.6 (5/8)
$\phi 15.88$ (5/8)	19.3 - 19.7 (3/4)

Copper pipe O.D. (mm) (inch)	Flare nut O.D. (mm) (inch)	Tightening torque (N·m)* (ft·lb)
$\phi 6.35$ (1/4)	17 (11/16)	14 - 18 (10 - 13)
$\phi 6.35$ (1/4)	22 (7/8)	34 - 42 (25 - 30)
$\phi 9.52$ (3/8)	22 (7/8)	34 - 42 (25 - 30)
$\phi 9.52$ (3/8)	26 (1-1/4)	49 - 61 (35-44)
$\phi 12.7$ (1/2)	26 (1-1/4)	49 - 61 (35-44)
$\phi 12.7$ (1/2)	29 (1-1/8)	68 - 82 (49 - 59)
$\phi 15.88$ (5/8)	29 (1-1/8)	68 - 82 (49 - 59)
$\phi 15.88$ (5/8)	36 (1-7/16)	100 - 120 (71 - 87)

* 1 N·m=10 kgf·cm

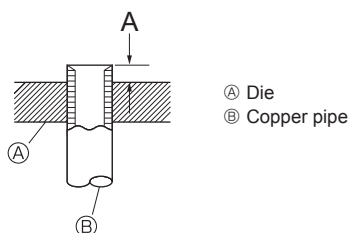


Fig. 5-6

- Ⓐ Die
- Ⓑ Copper pipe

⚠ Warning:

When pumping down the refrigerant, stop the compressor before disconnecting the refrigerant pipes. The compressor may burst and cause injury if any foreign substance, such as air, enters the system.

5.5. Connecting pipes (Fig. 5-4) (Fig. 5-5)

- Conduct sufficient anti-condensation and insulation work to prevent water dripping from the refrigerant piping. (liquid pipe/gas pipe)
- Increase insulation depending on the environment where the refrigerant piping is installed, or condensation may occur on the surface of the insulation material. (Insulation material Heat-resistant temperature: 120 °C, 248 °F, Thickness: 15 mm, 5/8 inch or more)
 - * When the refrigerant piping is used in locations subject to high temperature and humidity such as in the attic, further addition of insulation may be required.
- To insulate the refrigerant piping, apply heat-resistant polyethylene foam between the indoor unit and insulation material as well as to the net between the insulation material filling all gaps. (Condensation forming on the piping may result in condensation in the room or burns when contacting the piping.)
- The indoor parts of the drain pipe should be wrapped with polyethylene foam insulation materials (specific gravity of 0.03, thickness of 9 mm (3/8 inch) or more). [Fig. 5-5]
- Apply thin layer of refrigerant oil to pipe and joint seating surface before tightening flare nut. Ⓐ
- Use 2 wrenches to tighten piping connections. Ⓑ
- Use leak detector or soapy water to check for gas leaks after connections are completed.
- Apply refrigerating machine oil over the entire flare seat surface. Ⓒ
- Use the flare nuts as follows. Ⓓ

⚠ Warning:

When installing the unit, securely connect the refrigerant pipes before starting the compressor.

■ Pipe size (Outdoor unit-Branch box)

Pipe size (ømm) (inch)	Liquid	Gas
$\phi 9.52$ (3/8)		
$\phi 15.88$ (5/8)		

The lineup of a connectable indoor unit depends on a district/areas/country.

■ Pipe size (Branch box-Indoor unit) *Case of M series or S series Indoor unit

Indoor unit type	(BTU/h)	06	09	12	15	18	24
Pipe size (ømm) (inch)	Liquid	$\phi 6.35$ (1/4)	$\phi 6.35$ (1/4)	$\phi 6.35$ (1/4)	$\phi 6.35$ (1/4)	$\phi 6.35$ (1/4)	$\phi 9.52$ (3/8)
	Gas	$\phi 9.52$ (3/8)	$\phi 9.52$ (3/8)	$\phi 9.52$ (3/8)	$\phi 12.7$ (1/2)	$\phi 12.7$ (1/2)	$\phi 15.88$ (5/8)

■ Pipe size (Branch box-Indoor unit) *Case of P series indoor unit

Indoor unit type	(BTU/h)	12	18	24	30	36
Pipe size (ømm) (inch)	Liquid	$\phi 6.35$ (1/4)	$\phi 6.35$ (1/4)	$\phi 9.52$ (3/8)	$\phi 9.52$ (3/8)	$\phi 9.52$ (3/8)
	Gas	$\phi 12.7$ (1/2)	$\phi 12.7$ (1/2)	$\phi 15.88$ (5/8)	$\phi 15.88$ (5/8)	$\phi 15.88$ (5/8)

- When bending the pipes, be careful not to break them. Bend radius of 100 mm (4 inch) to 150 mm (6 inch) are sufficient.
- Make sure the pipes do not contact the compressor. Abnormal noise or vibration may result.
 - ① Pipes must be connected starting from the indoor unit. Flare nuts must be tightened with a torque wrench.
 - ② Flare the liquid pipes and gas pipes and apply a thin layer of refrigeration oil (Applied on site).
- When usual pipe sealing is used, refer to Table 2 for flaring of R410A refrigerant pipes. The size adjustment gauge can be used to confirm A measurements.

⚠ Caution:

Be sure to wrap insulation around the piping. Direct contact with the bare piping may result in burns or frostbite.

Table 2 (Fig. 5-6)

Copper pipe O.D.	A	
	Flare tool for R410A	Flare tool for R22-R407C
	Clutch type	
$\phi 6.35$ (1/4)	0 - 0.5 (0 - 1/64)	1.0 - 1.5 (3/64 - 1/16)
$\phi 9.52$ (3/8)	0 - 0.5 (0 - 1/64)	1.0 - 1.5 (3/64 - 1/16)
$\phi 12.7$ (1/2)	0 - 0.5 (0 - 1/64)	1.0 - 1.5 (3/64 - 1/16)
$\phi 15.88$ (5/8)	0 - 0.5 (0 - 1/64)	1.0 - 1.5 (3/64 - 1/16)

5. Installing the refrigerant piping

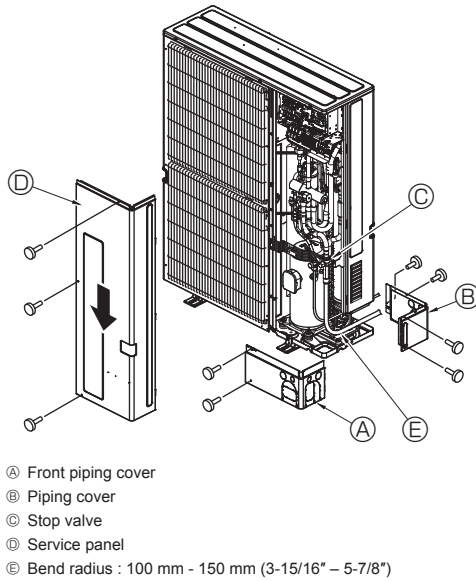


Fig. 5-7

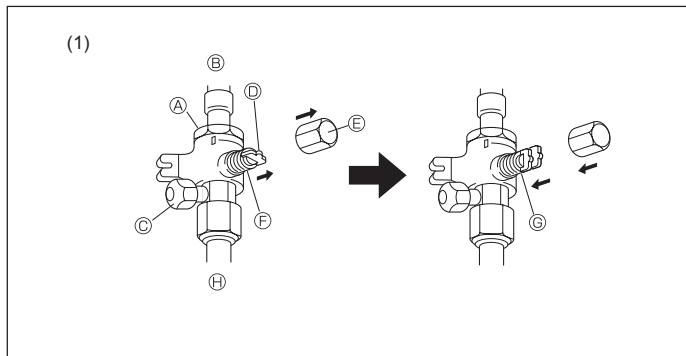


Fig. 5-8

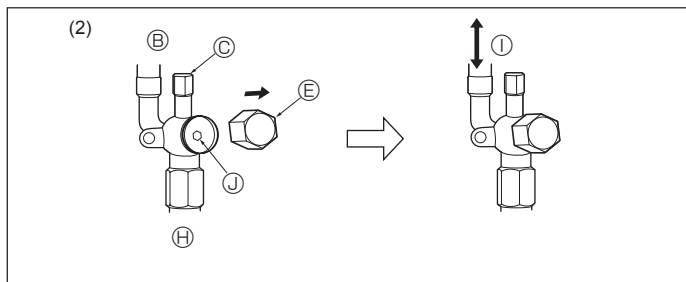


Fig. 5-9

- | | |
|---|---|
| <ul style="list-style-type: none"> Ⓐ Valve Ⓑ Unit side Ⓒ Service port Ⓓ Handle Ⓔ Cap | <ul style="list-style-type: none"> Ⓔ Completely closed Ⓜ Completely open Ⓝ Refrigerant piping side (On-site installation) Ⓞ Direction the refrigerant flows in Ⓟ Wrench hole |
|---|---|

5.6. Refrigerant piping (Fig. 5-7)

Remove the service panel ③ (3 screws) and the front piping cover ④ (2 screws) and rear piping cover ⑤ (4 screws).

- ① Perform refrigerant piping connections for the indoor/outdoor unit when the outdoor unit's stop valve is completely closed.
- ② Vacuum-purge air from the indoor unit and the connection piping.

Evacuation

Evacuate with the valve of the outdoor unit closed and evacuate both the connection piping and the indoor unit from the service port provided on the valve of the outdoor unit using a vacuum pump. (Always evacuate from the service port of both liquid pipe and gas pipe.) After the vacuum reaches 650 Pa [abs] [0.0943 psi/5 Torr], continue evacuation for at least one hour or more. Then, stop the vacuum pump and leave it for 1 hour. Ensure the degree of vacuum has not increased. **(If the degree of vacuum increase is larger than 130 Pa [0.01886 psi/1.0 Torr], water might have entered. Apply pressure to dry nitrogen gas up to 0.05 MPa [7.25 psi] and vacuum again.)** Finally, seal in with the liquid refrigerant through the liquid pipe, and adjust the gas piping to obtain an appropriate amount of the refrigerant during operation.

* Never perform air purging using refrigerant.

- ③ After connecting the refrigerant pipes, check the connected pipes and the indoor unit for gas leaks. (Refer to 5.8 Refrigerant pipe airtight testing method)
- ④ Vacuumize the refrigerant lines through the service port of the liquid and gas stop valves. And then open the stop valves completely (for both the liquid and gas stop valves). This will completely connect the refrigerant lines of the indoor and outdoor units.
 - If the stop valves are left closed and the unit is operated, the compressor and control valves will be damaged.
 - Use a leak detector or soapy water to check for gas leaks at the pipe connection sections of the outdoor unit.
 - Do not use the refrigerant from the unit to purge air from the refrigerant lines.
 - After the valve work is completed, tighten the valve caps to the correct torque: 20 to 25 N·m [14 to 18 ft·lbs] (200 to 250 kgf·cm). Failure to replace and tighten the caps may result in refrigerant leakage. In addition, do not damage the insides of the valve caps as they act as a seal to prevent refrigerant leakage.

- ⑤ Use sealant to seal the ends of the thermal insulation around the pipe connection sections to prevent water from entering the thermal insulation.

Refrigerant pipes are protectively wrapped

• The pipes can be protectively wrapped up to a diameter of $\phi 90$ mm (3-9/16") before or after connecting the pipes. Cut out the knockout in the pipe cover following the groove and wrap the pipes.

Pipe inlet gap

• Use putty or sealant to seal the pipe inlet around the pipes so that no gaps remain. (If the gaps are not closed, noise may be emitted or water and dust will enter the unit and breakdown may result.)

Note:

<Triple Evacuation>

- Evacuate the system to 4,000 microns from both service valves. System manifold gauges must not be used to measure vacuum. A micron gauge must be used at all times.
 - Break the vacuum with Nitrogen (N₂) into the discharge service valve to 0 PSIG.
- Evacuate the system to 1,500 microns from the suction service valve.
 - Break the vacuum with Nitrogen (N₂) into the discharge service valve to 0 PSIG.
- Evacuate the system to 500 microns. System must hold the vacuum at 500 microns for a minimum of 1 hour.
- Conduct a rise test for a minimum of 30 minutes.

5.7. Caution for piping connection/valve operation

• Conduct piping connection and valve operation accurately by following the figure below.

• Apply sealer along the insulator to prevent water entering the insulator covering the refrigerant pipe joints.

• After evacuation and refrigerant charge, ensure that the handle is fully open. If operating with the valve closed, abnormal pressure will be imparted to the high- or low-pressure side of the refrigerant circuit, giving damage to the compressor, etc.

• **Determine the amount of additional refrigerant charge (refer "5.3. Addition of refrigerant") and charge refrigerant additionally through the service port after completing piping connection work.**

• After completing work, tighten the service port (12 - 15 N·m) [9 - 11 ft·lbs] and cap (20 - 25 N·m) [14 - 18 ft·lbs] securely to prevent gas leak.

* 1 N·m \approx 10 kgf·cm

Method of completely opening the stop valve

The stop valve opening method varies according to the outdoor unit model. Use the appropriate method to open the stop valves.

(1) Gas side (Fig. 5-8)

① Remove the cap, pull the handle toward you and rotate 1/4 turn in a counterclockwise direction to open.

② Make sure that the stop valve is open completely, push in the handle and rotate the cap back to its original position.

(2) Liquid side (Fig. 5-9)

① Remove the cap and turn the valve rod counterclockwise as far as it will go with the use of a 4 mm [3/16"] hexagonal wrench. Stop turning when it hits the stopper.

② Make sure that the stop valve is open completely and rotate the cap back to its original position.

5. Installing the refrigerant piping

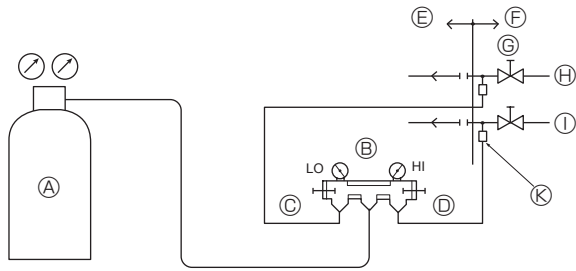


Fig. 5-10

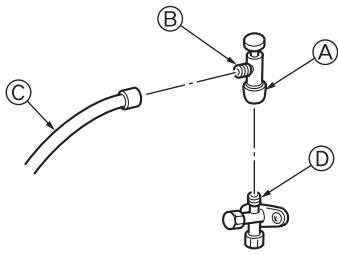
5.8. Refrigerant pipe airtight testing method.

Airtight test (Fig. 5-10)

Airtight test should be made by pressurizing nitrogen gas. For the test method, refer to the following figure.

- (1) Connecting the testing tool. Make a test with the stop valve closed. Be also sure to pressurize both liquid or high-pressure pipe and gas or low pressure pipe.
- (2) Do not add pressure to the specified pressure all at once; add pressure little by little.
 - ① Pressurize to 0.5 MPa [73 PSIG], wait 5 minutes, and make sure the pressure does not decrease.
 - ② Pressurize to 1.5 MPa [218 PSIG], wait 5 minutes, and make sure the pressure does not decrease.
 - ③ Pressurize to 4.15 MPa [601 PSIG] and measure the surrounding temperature and refrigerant pressure.
- (3) If the specified pressure holds for about one day and does not decrease, the pipes have passed the test and there are no leaks.
 - If the surrounding temperature changes by 1°C [1.8°F], the pressure will change by about 0.01 MPa [1.5 PSIG]. Make the necessary corrections.
- (4) If the pressure decreases in steps (2) or (3), there is a gas leak. Look for the source of the gas leak.

- | | |
|-------------------|-------------------------------------|
| Ⓐ Nitrogen gas | Ⓔ Outdoor unit |
| Ⓑ System analyzer | Ⓜ Stop valve |
| Ⓒ Lo-knob | Ⓨ Liquid pipe or high-pressure pipe |
| Ⓓ Hi-knob | Ⓩ Gas pipe or low-pressure pipe |
| Ⓚ To branch box | Ⓛ Service port |



- * The figure to the left is an example only. The stop valve shape, service port position, etc., may vary according to the model.
- * Turn section Ⓐ only. (Do not further tighten sections Ⓐ and Ⓑ together.)

- Ⓒ Charge hose
- Ⓓ Service port

Fig. 5-11

Precautions when using the charge valve (Fig. 5-11)

Do not tighten the service port too much when installing it, otherwise, the valve core could be deformed and become loose, causing a gas leak.

After positioning section Ⓑ in the desired direction, turn section Ⓐ only and tighten it. Do not further tighten sections Ⓐ and Ⓑ together after tightening section Ⓐ.

⚠ Warning:

- When installing the unit, securely connect the refrigerant pipes before starting the compressor.

6. Drainage piping work

Outdoor unit drainage pipe connection

When drain piping is necessary, use the drain socket or the drain pan (option).

Drain socket	PAC-SG61DS-E
Drain pan	PAC-SH97DP-E

7. Electrical work

7.1. Caution

- ① Follow ordinance of your governmental organization for technical standard related to electrical equipment, wiring regulations and guidance of each electric power company.
- ② Wiring for control (hereinafter referred to as transmission line) shall be (5 cm [2 inch] or more) apart from power source wiring so that it is not influenced by electric noise from power source wiring. (Do not insert transmission line and power source wire in the same conduit.)
- ③ Be sure to provide designated grounding work to outdoor unit.
- ④ Give some allowance to wiring for electrical part box of indoor and outdoor units, because the box is sometimes removed at the time of service work.
- ⑤ Never connect the main power source to terminal block of transmission line. If connected, electrical parts will be burnt out.
- ⑥ Use 2-core shield cable for transmission line. If transmission lines of different systems are wired with the same multicore cable, the resultant poor transmitting and receiving will cause erroneous operations.
- ⑦ Only the transmission line specified should be connected to the terminal block for outdoor unit transmission. (Transmission line to be connected with indoor unit : Terminal block TB3 for transmission line, Other : Terminal block TB7 for centralized control) Erroneous connection does not allow the system to operate.
- ⑧ In case to connect with the upper class controller or to conduct group operation in different refrigerant systems, the control line for transmission is required between the outdoor units each other. Connect this control line between the terminal blocks for centralized control. (2-wire line with no polarity) When conducting group operation in different refrigerant systems without connecting to the upper class controller, replace the insertion of the short circuit connector from CN41 of one outdoor unit to CN40.
- ⑨ Before turning outdoor unit on, be sure to turn the indoor units and the branch boxes.

7. Electrical work

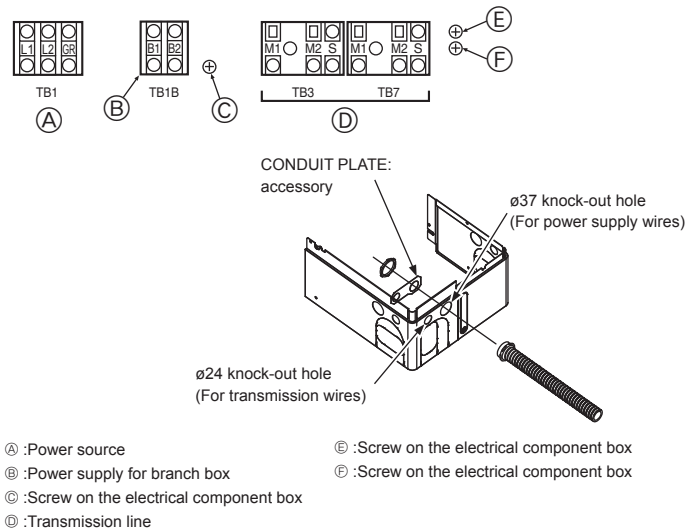


Fig. 7-1

7.2. Control box and connecting position of wiring (Fig. 7-1)

- Connect the branch box transmission line to transmission terminal block (TB3), or connect the wiring between outdoor units or the wiring with the centralized control system to the centralized control terminal block (TB7).
When using shielded wiring, connect shield ground of the branch box transmission line to the screw (Ⓔ or Ⓕ) and connect shield ground of the line between outdoor units and the central control system transmission line to the shield (S) terminal of the centralized control terminal block (TB7) shield (S) terminal. In addition, in the case of outdoor units whose power supply connector CN41 has been replaced by CN40, the shield terminal (S) of terminal block (TB7) of the centralized control system should also be connected to the screw (Ⓔ or Ⓕ) using attached lead wire.
- Conduit mounting plates (ø27) are being provided. Pass the power supply and transmission wires through the appropriate knock-out holes, then remove the knock-out piece from the bottom of the terminal box and connect the wires.
- Fix power source wiring to terminal box by using buffer bushing for tensile force (PG connection or the like).
- The terminal bed (TB1B) is for supplying power to the branch box (220 ~ 240 V, max 6A).

⚠ Caution:

Never connect the transmission line for the branch box or the central control system transmission line to this terminal bed (TB1B). If the transmission lines are connected, the indoor unit terminal block, branch box terminal block or centralized control terminal block could be damaged.

7.3. Wiring transmission cables

① Types of control cables

- Wiring transmission cables
 - Types of transmission cables: Shielding wire CVVS or CPEVS or MVVS
 - Cable diameter: More than 1.25 mm²
 - Maximum wiring length: Within 200 m

2. M-NET Remote control cables

Kind of remote control cable	Shielding wire (2-core) CVVS, CPEVS or MVVS.
Cable diameter	0.5 to 1.25 mm ² [AWG 20 to AWG 16]*
Remarks	When 10 m [32 ft] is exceeded, use cable with the same specifications as transmission line wiring.

* Connected with simple remote controller.

3. MA Remote control cables

Kind of remote control cable	Sheathed 2-core cable (unshielded) CVV
Cable diameter	0.3 to 1.25 mm ² (0.75 to 1.25 mm ²)*
Remarks	Within 200 m

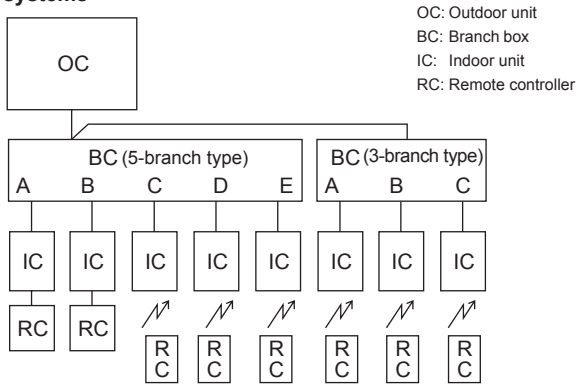
* Connected with simple remote controller.

② Wiring examples

- Controller name, symbol and allowable number of controllers.

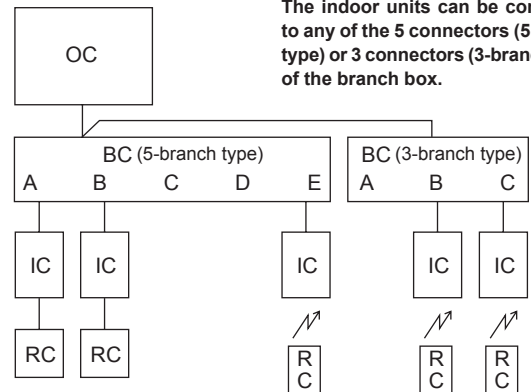
Name	Symbol	Allowable number of controllers	
Outdoor unit controller	OC	-	
Indoor unit controller	IC	MXZ-4C36	2 to 4 units per 1 OC
		MXZ-5C42	2 to 5 units per 1 OC
		MXZ-8C48	2 to 8 units per 1 OC
Remote controller	RC	MA	Maximum of 2 per group

[1] Basic systems



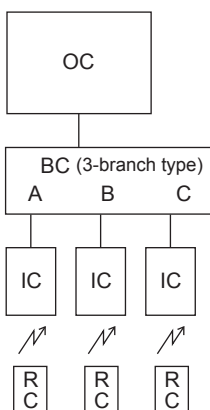
Note:

The indoor units can be connected to any of the 5 connectors (5-branch type) or 3 connectors (3-branch type) of the branch box.

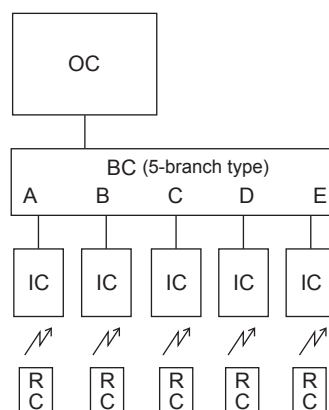


[2] Standard systems

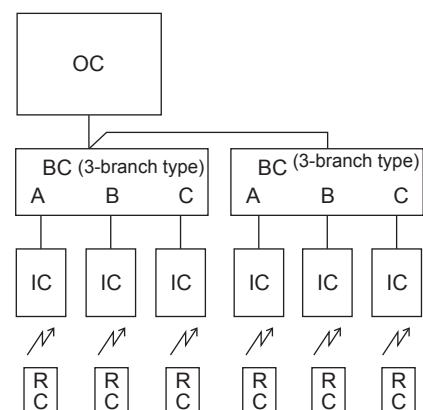
2-1 Only 3-branch type



2-2 Only 5-branch type

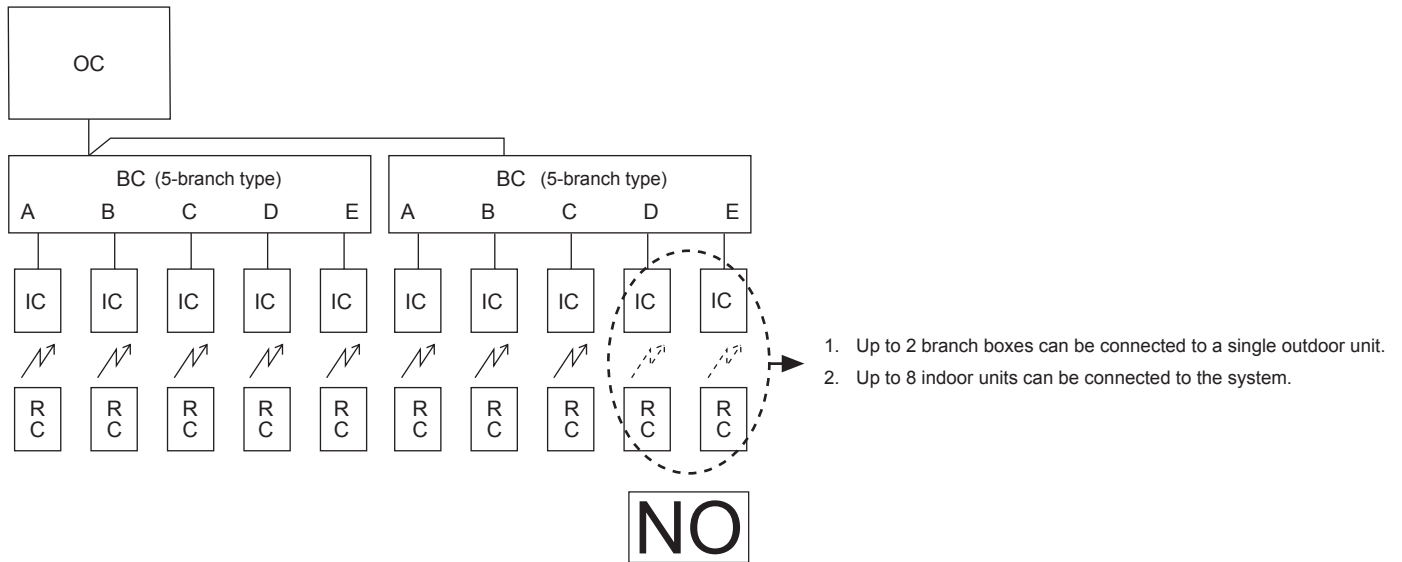


2-3 2-branch boxes (3-branch type)



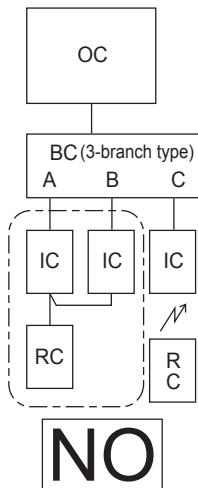
7. Electrical work

2-4. 2 branch boxes (5-branch type, maximum 8 indoor units)

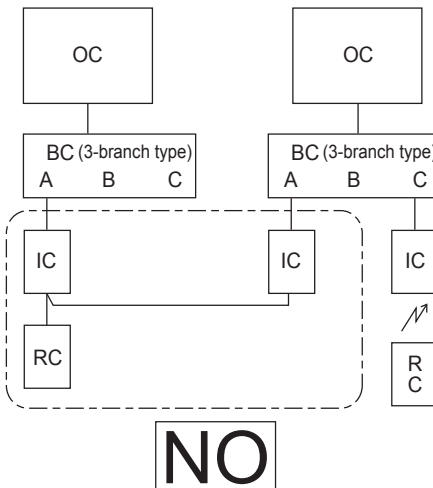


[3] Incorrect systems

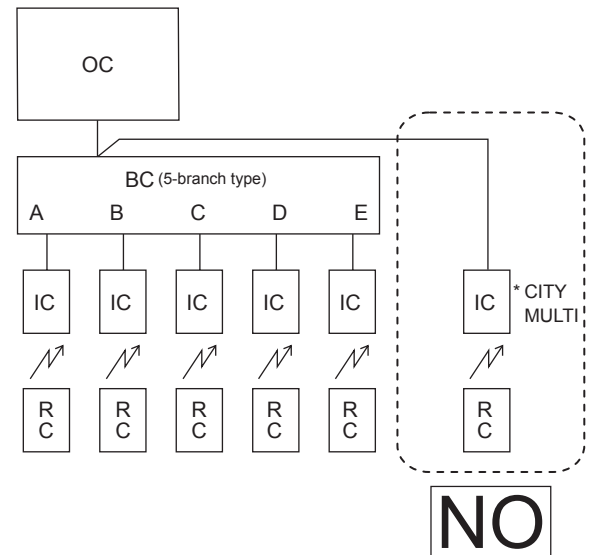
3-1. Group operation by single remote controller



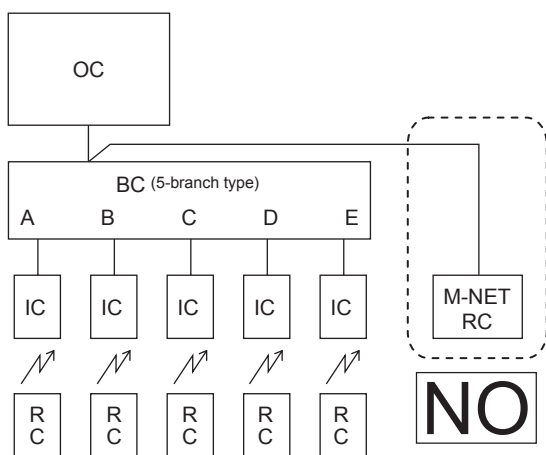
3-2. Group operation between different refrigerant systems



3-3. Connection of indoor units of CITY MULTI series.



3-4. Connection of M-NET Remote controller



3-1. Plural indoor units cannot be operated by a single remote controller.

3-2. Different refrigerant systems cannot be connected together.

3-3. Indoor units of CITY MULTI series cannot be connected to the branch boxes or outdoor unit.

3-4. M-NET Remote controller cannot be connected to this system.

7. Electrical work

7.4. Branch box/outdoor wire connection and outdoor power supply cord connection (Fig. 7-2)

⚠ Warning:

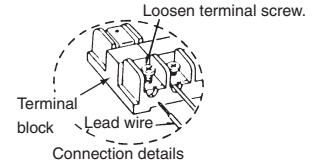
- Be sure to attach the terminal block covers/panel of the outdoor unit securely. If it is not attached correctly, it could result in a fire or an electric shock due to dust, water, etc.
- Be sure to connect the power supply cords and the connecting wires for the indoor units, outdoor units, and branch boxes directly to the units (no intermediate connections).

Intermediate connections can lead to communication errors if water enters the cords or wires and causes insufficient insulation to ground or a poor electrical contact at the intermediate connection point.

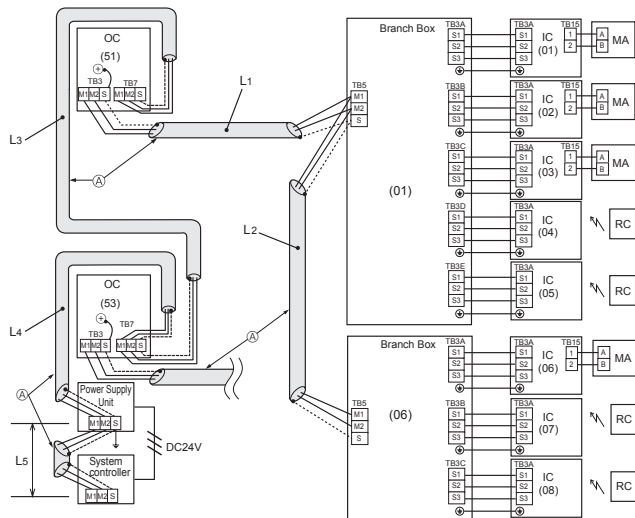
(If an intermediate connection is necessary, be sure to take measures to prevent water from entering the cords and wires.)

⚠ Caution:

- Be careful not to make mis-wiring.
- Firmly tighten the terminal screws to prevent them from loosening.
- After tightening, pull the wires lightly to confirm that they not move.
- If the connecting wire is incorrectly connected to the terminal block, the unit does not operate normally.



- Connect wire from the branch box correctly to the terminal block.
- For future servicing, give extra length to connecting wire.



ⓐ :Shielded wire
 () : Address example

Fig. 7-2

IMPORTANT

Make sure that the current leakage breaker is one compatible with higher harmonics.

Always use a current leakage breaker that is compatible with higher harmonics as this unit is equipped with an inverter.

The use of an inadequate breaker can cause the incorrect operation of inverter.

Longest length via outdoor units:

$L_1 + L_2 + L_3 + L_4 + L_5 \leq 500 \text{ m (1640 ft.) (1.25 mm}^2 \text{ or more)}$

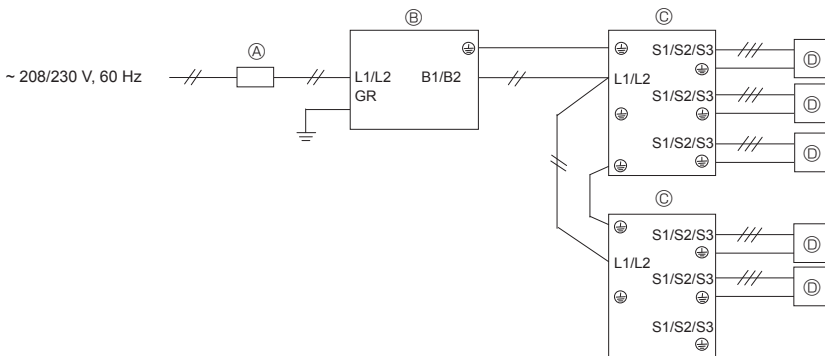
Longest transmission cable length

$L_1 + L_2, L_3, L_3 + L_4, L_5 \leq 200 \text{ m (656 ft.) (1.25 mm}^2 \text{ or more)}$

7.5. Wiring of main power supply and equipment capacity

Schematic Drawing of Wiring (Example) (Fig. 7-3)

<When Power Is Supplied from the Outdoor Unit>



- ⓐ Switch (Breakers for Wiring and Current Leakage)
- ⓑ Outdoor Unit
- ⓒ Branch Box
- ⓓ Indoor Unit
- ⓔ Pull Box

<When Power Is Supplied Separately>

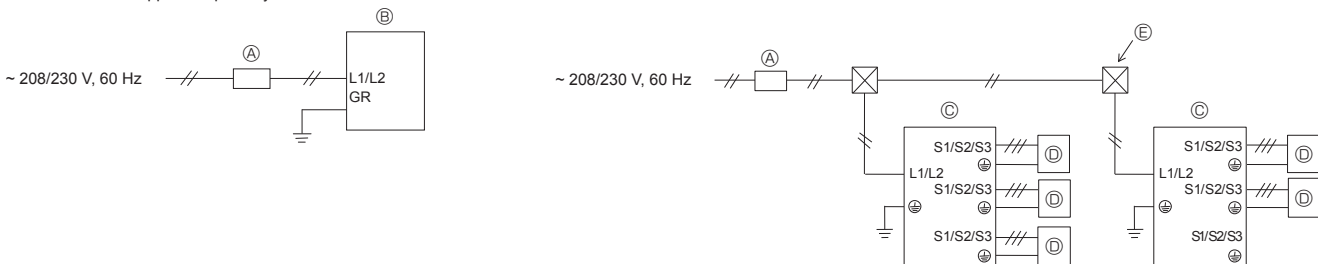


Fig. 7-3

7. Electrical work

Thickness of Wire for Main Power Supply and On/Off Capacities

Model		Power Supply	Minimum Wire Thickness (mm ² [AWG])		Breaker for Wiring*1	Breaker for Current Leakage	Minimum circuit ampacity	Maximum rating of over current protector device
			Main Cable*2	Ground				
Outdoor Unit	4C36/5C52/ 8C48NAHZ	~ (single), 60 Hz, 208/230 V	13.3 [AWG6]	13.3 [AWG6]	50 A	50 A 30 mA 0.1 sec. or less	42 A	52 A
	8C48NA		8.4 [AWG8]	8.4 [AWG8]	40 A	40 A 30 mA 0.1 sec. or less	37 A	52 A
Indoor Unit		~ (single), 60 Hz, 208/230 V	Refer to installation manual of indoor unit.					

*1. A breaker with at least 3.0 mm [1/8 inch] contact separation in each poles shall be provided. Use non-fuse breaker (NF) or earth leakage breaker (NV).

*2. Use copper supply wires. Use the electric wires over the rating voltage 300 V.

Total operating current of the indoor unit	Minimum wire thickness (mm ² /AWG)			Ground-fault interrupter *1	Local switch (A)		Breaker for wiring (NFB)
	Main Cable	Branch	Ground		Capacity	Fuse	
F0 = 15A or less *2	2.1/14	2.1/14	2.1/14	15 A current sensitivity *3	15	15	15
F0 = 20A or less *2	3.3/12	3.3/12	3.3/12	20 A current sensitivity *3	20	20	20
F0 = 30A or less *2	5.5/10	5.5/10	5.3/10	30 A current sensitivity *3	30	30	30

Apply to IEC61000-3-3 about max. permissive system impedance.

*1 The Ground-fault interrupter should support inverter circuit.

The Ground-fault interrupter should combine using of local switch or wiring breaker.

*2 Please take the larger of F1 or F2 as the value for F0.

F1 = Total operating maximum current of the indoor units × 1.2

F2 = (V1/C)

Indoor unit	V1	V2
Type 1 SEZ-KD·NA, PLA-A·BA	19.8	2.4
Type 2 PEAD-A·AA	26.9	
Type 3 MSZ-FE·NA	9.9	
Type 4 MSZ-FH·NA, MSZ-GE·NA	6.8	
Type 5 SLZ-KA·NA	3.5	
Type 6 MFZ-KA·NA	16.2	
Type 7 MVZ-A·AA	26.9	
Type 8 Branch box (PAC-MKA-BC)	5.1	

C : Multiple of tripping current at tripping time 0.01 s

Please pick up "C" from the tripping characteristic of the breaker.

<Example of "F2" calculation>

* Condition Branch Box × 2 + SEZ-KD·NA × 5, C = 8 (refer to right sample chart)

$$F2 = 5.1 \times 2/8 + 19.8 \times 5/8 = 14.9$$

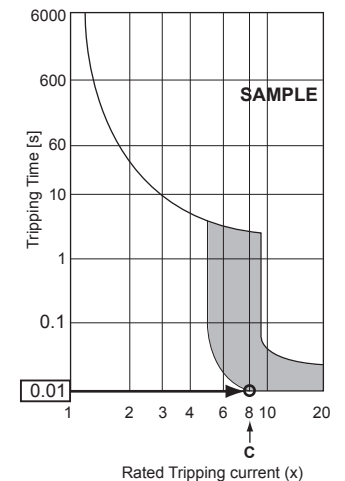
*3 Current sensitivity is calculated using the following formula.

$$G1 = \sqrt{V2 + V3} \text{ (Wire length [kW])}$$

G1	Current sensitivity
30 or less	30 mA 0.1 sec or less
100 or less	100 mA 0.1 sec or less

Wire thickness	V3
1.5 mm ²	48
2.5 mm ²	56
4.0 mm ²	66

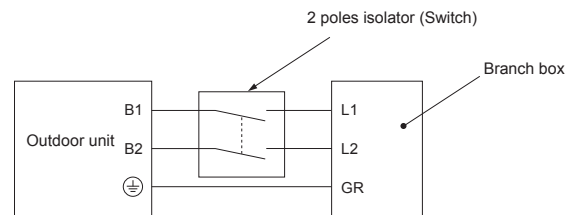
Sample chart



- Use a separate power supply for the outdoor unit and indoor unit.
- Bear in mind ambient conditions (ambient temperature, direct sunlight, rain water, etc.) when proceeding with the wiring and connections.
- The wire size is the minimum value for metal conduit wiring. The power cord size should be 1 rank thicker consideration of voltage drops. Make sure the power-supply voltage does not drop more than 10%.
- Specific wiring requirements should adhere to the wiring regulations of the region.
- Power supply cords of parts of appliances for outdoor use shall not be lighter than polychloroprene sheathed flexible cord (design 60245 IEC57). For example, use wiring such as YZW.
- Install an earth longer than other cables.

⚠ Warning:

- In case of A-control wiring, there is high voltage potential on the S3 terminal caused by electrical circuit design that has no electrical insulation between power line and communication signal line. Therefore, please turn off the main power supply when servicing. And do not touch the S1, S2, S3 terminals when the power is energized. If isolator should be used between outdoor unit and branch box/indoor unit and branch box, please use 3-pole type or 2-pole type. (Please refer to figure below.)
- Turn on the main power when the ambient temperature is -20°C (-4°F) or higher.
- Under conditions of -20°C (-4°F), it needs at least 4hr stand by before the units operate in order to warm the electrical parts.



⚠ Caution:

After using the isolator, be sure to turn off and on the main power supply to reset the system. Otherwise, the outdoor unit may not be able to detect the branch box(es) or indoor units.

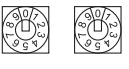
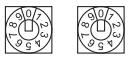
Be sure to connect the outdoor-branch box/indoor-branch box connecting cables directly to the units (no intermediate connections). Intermediate connections can lead to communication errors if water enters the cables and causes insufficient insulation to ground or a poor electrical contact at the intermediate connection point. (If an intermediate connection is necessary, be sure to take measures to prevent water from entering the cables.)

Never splice the power cable or the indoor-outdoor-branch box connection cable, otherwise it may result in a smoke, a fire or communication failure.

7. Electrical work

7.6. Address setting

Switch address setting

Unit Address	Outdoor	Branch Box		Indoor																																
		Address	Connection Setting																																	
Switch	 SWU2 SWU1	 SW12 SW11	<table border="1"> <tr> <td>Port</td> <td>A</td> <td>B</td> <td>C</td> <td>D</td> <td>E</td> <td>-</td> </tr> <tr> <td>ON</td> <td></td> <td></td> <td></td> <td></td> <td></td> <td></td> </tr> <tr> <td>OFF</td> <td>1</td> <td>2</td> <td>3</td> <td>4</td> <td>5</td> <td>6</td> </tr> </table> ON: Indoor connect OFF: No connection	Port	A	B	C	D	E	-	ON							OFF	1	2	3	4	5	6	None											
Port	A	B	C	D	E	-																														
ON																																				
OFF	1	2	3	4	5	6																														
range	51 - 100	1 - 50	-	-																																
setting	Branch address + 50	• According to the set address (for example, 01), the addresses for the connected indoor units are set sequentially (for example, 02, 03, 04, and 05). <table border="1"> <tr> <td>SW1</td> <td>1</td> <td>2</td> <td>3</td> <td>4</td> <td>5</td> </tr> <tr> <td>Port</td> <td>A</td> <td>B</td> <td>C</td> <td>D</td> <td>E</td> </tr> <tr> <td>Address</td> <td>01</td> <td>02</td> <td>03</td> <td>04</td> <td>05</td> </tr> </table> (SW11, 12) (sequential numbers)	SW1	1	2	3	4	5	Port	A	B	C	D	E	Address	01	02	03	04	05	• Specify whether indoor units are connected to each port (A, B, C, D, and E). <table border="1"> <tr> <td>SW1</td> <td>1</td> <td>2</td> <td>3</td> <td>4</td> <td>5</td> <td>(6)</td> </tr> <tr> <td>Port</td> <td>A</td> <td>B</td> <td>C</td> <td>D</td> <td>E</td> <td>(not use)</td> </tr> </table> Indoor units are connected ON Indoor units are not connected OFF	SW1	1	2	3	4	5	(6)	Port	A	B	C	D	E	(not use)	There are no address settings for the indoor units.
SW1	1	2	3	4	5																															
Port	A	B	C	D	E																															
Address	01	02	03	04	05																															
SW1	1	2	3	4	5	(6)																														
Port	A	B	C	D	E	(not use)																														

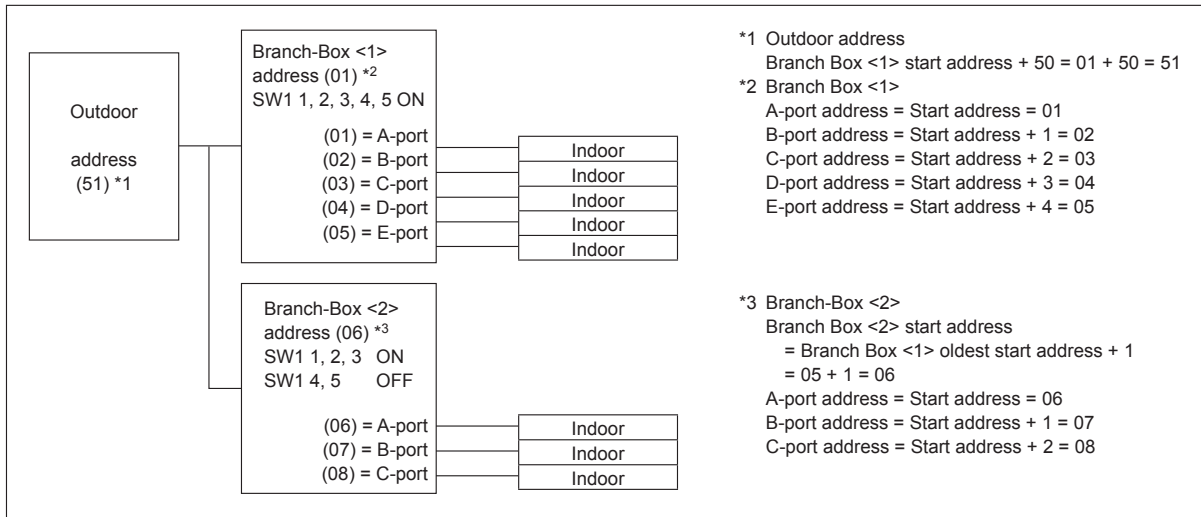
Note: 1. Branch box address

When setting the address, use a number within the range 1–50.

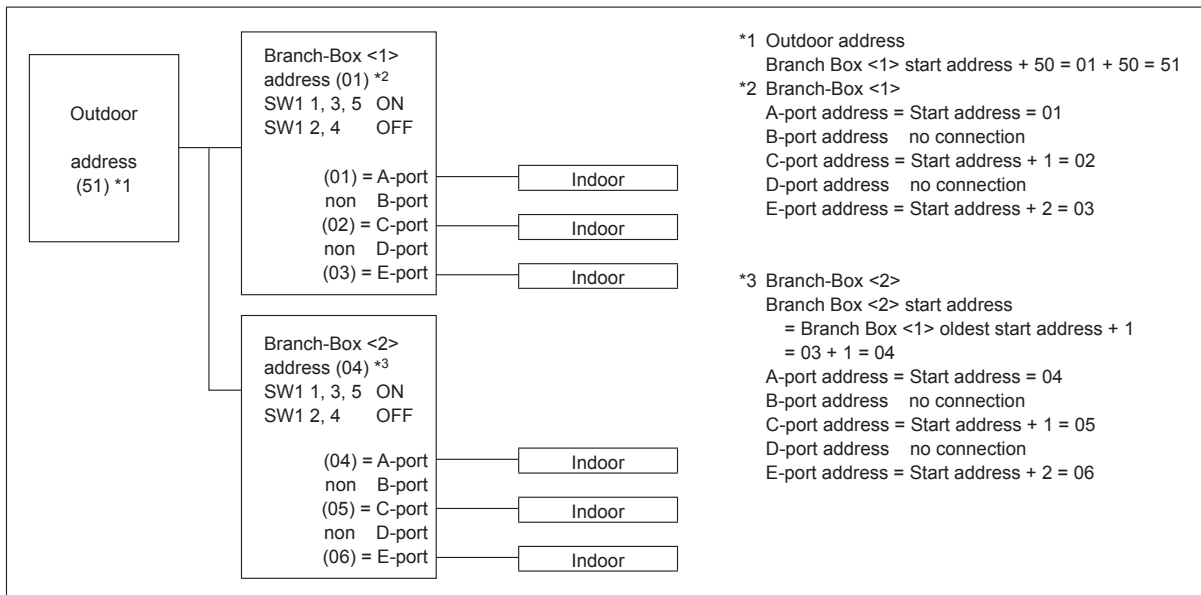
Ex. The set address is (47) and there are 5 indoor units (A, B, C, D, and E).

If A: (47), B: (48), C: (49), D: (50), and E: (51), E is incorrect because it exceeds 50.

Ex1. Outdoor + Branch <1> (Indoor A, B, C, D, E) + Branch <2> (Indoor A, B, C)



Ex2. Outdoor + Branch <1> (Indoor A, C, E) + Branch <2> (Indoor A, C, E)



8. Test run

8.1. Before test run

- ▶ After completing installation and the wiring and piping of the indoor and outdoor units, check for refrigerant leakage, looseness in the power supply or control wiring, wrong polarity, and no disconnection of one phase in the supply.
- ▶ Use a 500-volt M-ohm tester to check that the resistance between the power supply terminals and ground is at least 1 MΩ.
- ▶ Do not carry out this test on the control wiring (low voltage circuit) terminals.

⚠ Warning:

Do not use the air conditioner if the insulation resistance is less than 1 MΩ.

Insulation resistance

After installation or after the power source to the unit has been cut for an extended period, the insulation resistance will drop below 1 MΩ due to refrigerant accumulation in the compressor. This is not a malfunction. Perform the following procedures.

1. Remove the wires from the compressor and measure the insulation resistance of the compressor.
2. If the insulation resistance is below 1 MΩ, the compressor is faulty or the resistance dropped due to the accumulation of refrigerant in the compressor.
3. After connecting the wires to the compressor, the compressor will start to warm up after power is supplied. After supplying power for the times indicated below, measure the insulation resistance again.

- The insulation resistance drops due to accumulation of refrigerant in the compressor. The resistance will rise above 1 MΩ after the compressor is warmed up for four hours.
(The time necessary to warm up the compressor varies according to atmospheric conditions and refrigerant accumulation.)
 - To operate the compressor with refrigerant accumulated in the compressor, the compressor must be warmed up at least 12 hours to prevent breakdown.
4. If the insulation resistance rises above 1 MΩ, the compressor is not faulty.

⚠ Caution:

- The compressor will not operate unless the power supply phase connection is correct.
- Turn on the power at least 12 hours before starting operation.
- Starting operation immediately after turning on the main power switch can result in severe damage to internal parts. Keep the power switch turned on during the operational season.

▶ The followings must be checked as well.

- The outdoor unit is not faulty. LED on the control board of the outdoor unit flash when the outdoor unit is faulty.
- Both the gas and liquid stop valves are completely open.

8.2. Test run

8.2.1. Using remote controller

Refer to the indoor unit installation manual.

- Be sure to perform the test run for each indoor unit. Make sure each indoor unit operates properly following the installation manual attached to the unit.
- If you perform the test run for all indoor units at once, you cannot detect any erroneous connection, if any, of the refrigerant pipes and the connecting wires.
- * The compressor operation is not available for 3 minutes at least after the power is supplied.
- The compressor can emit noise just after turn on the power supply or in case of low outside air temperature.

About the restart protective mechanism

Once the compressor stops, the restart preventive device operates so the compressor will not operate for 3 minutes to protect the air conditioner.

8.2.2. Using SW3 in outdoor unit

Note:

In case of the test run from outdoor unit, all indoor units operate. Therefore, you can not detect any erroneous connection of refrigerant pipes and the connecting wires. If it aims at detection of any erroneous connection, be sure to carry out the test run from remote controller with reference to "8.2.1 Using remote controller".

SW3-1	ON	Cooling operation
SW3-2	OFF	
SW3-1	ON	Heating operation
SW3-2	ON	

* After performing the test run, set SW3-1 to OFF.

- A few seconds after the compressor starts, a clanging noise may be heard from the inside of the outdoor unit. The noise is coming from the check valve due to the small difference in pressure in the pipes. The unit is not faulty.

The test run operation mode cannot be changed by DIP switch SW3-2 during the test run. (To change the test run operation mode during the test run, stop the test run by DIP switch SW3-1. After changing the test run operation mode, resume the test run by switch SW3-1.)

8.3. Refrigerant collecting (Pump down)

Perform the following procedures to collect the refrigerant when moving the indoor unit or the outdoor unit.

- ① Turn off the circuit breaker.
 - ② Connect the low pressure side of the gauge manifold to the service port of the gas side stop valve.
 - ③ Close the liquid stop valve.
 - ④ Supply power (circuit breaker).
- * Start-up of the indoor-outdoor communication takes about 3 minutes after the power (circuit breaker) is turned on. Start the pump-down operation 3 to 4 minutes after the power (circuit breaker) is turned ON.
- ⑤ Confirm that SW3-2 is set to OFF, and then set SW3-1 to ON to perform the test run for cooling operation. The compressor (outdoor unit) and ventilators (indoor and outdoor units) start operating and test run for cooling operation begins. Immediately after performing the test run for cooling operation, set the outdoor service switch SW2-4 (pump down switch) from OFF to ON.
- * Do not continue to operate for a long time with the switch SW2-4 set to ON. Make sure to switch it to OFF after pump down is completed.

- ⑥ Fully close the gas stop valve when the pressure reading on the gauge drops 7.1 - 0.0 PSIG (approximately 0.5 - 0.0 kgf/cm²)
 - ⑦ Set SW3-1 to OFF to stop the air conditioner operation. (Set the outdoor service switch SW2-4 from ON to OFF.)
 - ⑧ Turn off the power supply (circuit breaker).
- * If too much refrigerant has been added to the air conditioner system, the pressure may not drop to 7.1 PSIG (0.5 kgf/cm²). If this occurs, use a refrigerant collecting device to collect all of the refrigerant in the system, and then recharge the system with the correct amount of refrigerant after the indoor and outdoor units have been relocated.

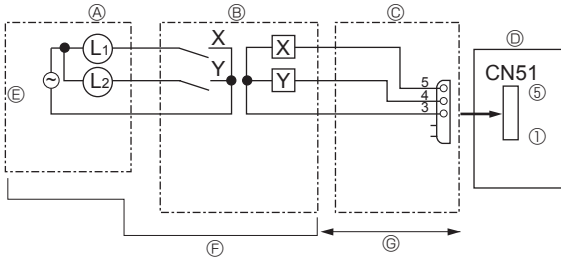
⚠ Warning:

When pumping down the refrigerant, stop the compressor before disconnecting the refrigerant pipes. The compressor may burst and cause injury if any foreign substance, such as air, enters the system.

9. Special Functions

9.1. OUTDOOR UNIT INPUT/OUTPUT CONNECTOR

• State (CN51)

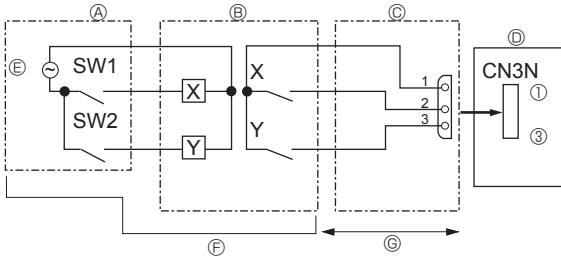


- Ⓐ Distant control board
- Ⓑ Relay circuit
- Ⓒ External output adapter (PAC-SA88HA-E)
- Ⓓ Outdoor unit control board

- Ⓔ Lamp power supply
- Ⓕ Procure locally
- Ⓖ Max. 10 m

L1: Error display lamp
 L2: Compressor operation lamp
 X, Y: Relay (Coil standard of 0.9W or less for DC 12V)
 X, Y: Relay (DC1mA)

• Auto change over (CN3N)

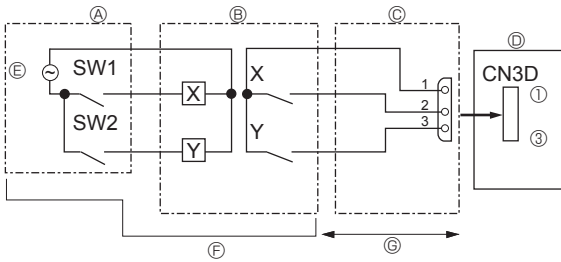


- Ⓐ Remote control panel
- Ⓑ Relay circuit
- Ⓒ External input adapter (PAC-SC36NA-E)
- Ⓓ Outdoor unit control board

- Ⓔ Relay power supply
- Ⓕ Procure locally
- Ⓖ Max. 10 m

	ON	OFF
SW1	Heating	Cooling
SW2	Validity of SW1	Invalidity of SW1

• Silent Mode / Demand Control (CN3D)



- Ⓐ Remote control panel
- Ⓑ Relay circuit
- Ⓒ External input adapter (PAC-SC36NA-E)
- Ⓓ Outdoor unit control board

- Ⓔ Relay power supply
- Ⓕ Procure locally
- Ⓖ Max. 10 m

The silent mode and the demand control are selected by switching the DIP switch 9-2 on outdoor controller board. It is possible to set it to the following power consumption (compared with ratings) by setting SW1, 2.

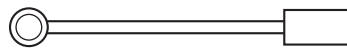
	Outdoor controller board DIP SW9-2	SW1	SW2	Function
Silent mode	OFF	ON	—	Silent mode operation
Demand control	ON	OFF	OFF	100 % (Normal)
		ON	OFF	75 %
		ON	ON	50 %
		OFF	ON	0 % (Stop)

Index

1. Consignes de sécurité	18	6. Mise en place du tuyau d'écoulement	26
2. Pièces et schéma d'installation	19	7. Installations électriques	26
3. Emplacement d'installation	20	8. Marche d'essai	32
4. Installation de l'appareil extérieur	22	9. Fonctions spéciales	33
5. Installation de la tuyauterie du réfrigérant	22		

Vérification des pièces livrées

Outre le présent manuel, les éléments suivants sont livrés avec l'appareil extérieur. Ils servent à mettre à la terre les bornes S des blocs de sortie de transmission TB3, TB7. Pour plus de détails à ce sujet, voir "7. Installations électriques".



Fil de terre (x 2)

1. Consignes de sécurité

- ▶ Avant d'installer le climatiseur, lire attentivement toutes les "Consignes de sécurité".
- ▶ Veuillez consulter ou obtenir la permission votre compagnie d'électricité avant de connecter votre système.

⚠ Avertissement:

Précautions à suivre pour éviter tout danger de blessure ou de décès de l'utilisateur.

⚠ Précaution:

Décrit les précautions qui doivent être prises pour éviter d'endommager l'appareil.

⚠ Avertissement:

- L'appareil ne doit pas être installé par l'utilisateur. Contacter un revendeur ou un technicien agréé pour installer l'appareil. Si l'appareil n'est pas correctement installé, des fuites d'eau, des chocs électriques ou des incendies peuvent se produire.
- Pour l'installation, respecter les instructions du manuel d'installation et utiliser des outils et des composants de tuyau spécialement conçus pour une utilisation avec le réfrigérant R410A.
- La pression du réfrigérant R410A du système HFC est 1,6 fois supérieure à celle des réfrigérants traditionnels. Si des composants de tuyau non adaptés au réfrigérant R410A sont utilisés et si l'appareil n'est pas correctement installé, les tuyaux peuvent éclater et provoquer des dommages ou des blessures. Des fuites d'eau, des chocs électriques et des incendies peuvent également se produire.
- L'appareil doit être installé conformément aux instructions pour réduire les risques de dommages liés à des tremblements de terre, des typhons ou des vents violents. Une installation incorrecte peut entraîner la chute de l'appareil et provoquer des dommages ou des blessures.
- L'appareil doit être solidement installé sur une structure pouvant supporter son poids. Si l'appareil est fixé sur une structure instable, il risque de tomber et de provoquer des dommages ou des blessures.
- Si le climatiseur est installé dans une petite pièce, certaines mesures doivent être prises pour éviter que la concentration de réfrigérant ne dépasse le seuil de sécurité en cas de fuite. Consulter un revendeur pour obtenir les mesures adéquates et ainsi éviter de dépasser la concentration autorisée. En cas de fuite de réfrigérant et de dépassement du seuil de concentration, des risques liés au manque d'oxygène dans la pièce peuvent survenir.
- Aérer la pièce en cas de fuite de réfrigérant lors de l'utilisation. Le contact du réfrigérant avec une flamme peut provoquer des émanations de gaz toxiques.
- Toutes les installations électriques doivent être effectuées par un technicien qualifié conformément aux réglementations locales et aux instructions fournies dans ce manuel. Les appareils doivent être alimentés par des lignes électriques adaptées. Utiliser la tension correcte et des coupe-circuits. Des lignes électriques de capacité insuffisante ou des installations électriques incorrectes peuvent provoquer un choc électrique ou un incendie.
- Veiller à relier les cordons d'alimentation et les fils de raccordement des appareils intérieurs, des appareils extérieurs et des boîtiers de dérivation directement sur les appareils (sans raccordement intermédiaire).

Une fois l'installation terminée, expliquer les "Consignes de sécurité", l'utilisation et l'entretien de l'appareil au client conformément aux informations du mode d'emploi et effectuer l'essai de fonctionnement en continu pour garantir un fonctionnement normal. Le manuel d'installation et le mode d'emploi doivent être fournis à l'utilisateur qui doit les conserver. Ces manuels doivent également être transmis aux nouveaux utilisateurs.

⚡ : Indique un élément qui doit être mis à la terre.

⚠ Avertissement:

Prendre soin de lire les étiquettes se trouvant sur l'appareil principal.

Les raccordements intermédiaires peuvent engendrer des erreurs de communication si de l'eau s'infiltré dans les cordons et les fils et provoquent une isolation insuffisante de la mise à la terre ou un mauvais contact électrique au niveau du point de raccordement intermédiaire.

(Si un raccordement intermédiaire s'avère nécessaire, veiller à prendre des mesures pour éviter que de l'eau ne s'infiltré dans les cordons et les fils.)

- Utiliser le cuivre phosphoreux C1220, pour des tuyaux sans soudure en cuivre et en alliage de cuivre, pour raccorder les tuyaux de réfrigérant. Si les tuyaux ne sont pas correctement raccordés, la mise à la terre de l'appareil ne sera pas conforme et des chocs électriques peuvent se produire.
- N'utiliser que les câbles spécifiés pour les raccordements. Les raccordements doivent être réalisés correctement sans tension sur les bornes. Ne jamais effectuer de jonction sur les câbles (sauf en cas d'indications contraires). Le non respect de cette consigne peut entraîner une surchauffe ou un incendie.
- Le couvercle du bloc de sortie de l'appareil extérieur doit être solidement fixé. S'il n'est pas correctement installé et si des poussières et de l'humidité s'infiltré dans l'appareil, un choc électrique ou un incendie peut se produire.
- Lors de l'installation, du déplacement ou de l'entretien de l'appareil extérieur, n'utilisez que le réfrigérant spécifié (R410A) pour remplir les tuyaux de réfrigérant. Ne pas le mélanger avec un autre réfrigérant et faire le vide d'air dans les tuyaux. Si du réfrigérant est mélangé avec de l'air, cela peut provoquer des pointes de pression dans les tuyaux de réfrigérant et entraîner une explosion et d'autres risques. L'utilisation d'un réfrigérant différent de celui spécifié pour le climatiseur peut entraîner des défaillances mécaniques, des dysfonctionnements du système ou une panne de l'appareil. Dans le pire des cas, cela peut entraîner un obstacle à la mise en sécurité du produit.
- N'utiliser que les accessoires agréés par Mitsubishi Electric et contacter un revendeur ou un technicien agréé pour les installer. Si les accessoires ne sont pas correctement installés, une fuite d'eau, un choc électrique ou un incendie peut se produire.
- Ne pas changer l'appareil. Consulter un revendeur en cas de réparations. Si les modifications ou réparations ne sont pas correctement effectuées, une fuite d'eau, un choc électrique ou un incendie peut se produire.
- L'utilisateur ne doit jamais essayer de réparer ou de déplacer l'appareil. Si l'appareil n'est pas correctement installé, des fuites d'eau, des chocs électriques ou des incendies peuvent se produire. Si le climatiseur doit être réparé ou déplacé, contacter un revendeur ou un technicien agréé.
- Une fois l'installation terminée, vérifier les éventuelles fuites de réfrigérant. Si le réfrigérant fuit dans la pièce et entre en contact avec la flamme d'un chauffage ou d'une cuisinière, des gaz toxiques peuvent se dégager.

1.1. Avant l'installation

⚠ Précaution:

- Ne pas utiliser l'appareil dans un environnement inhabituel. Si le climatiseur est installé dans des endroits exposés à la vapeur, à l'huile volatile (notamment l'huile de machine), au gaz sulfurique, à une forte teneur en sel, par exemple, à la mer, ou dans des endroits où l'appareil sera recouvert de neige, les performances peuvent considérablement diminuer et les pièces internes de l'appareil être endommagées.
- Ne pas installer l'appareil dans des endroits où des gaz de combustion peuvent s'échapper, se dégager ou s'accumuler. L'accumulation de gaz de combustion autour de l'appareil peut provoquer un incendie ou une explosion.

- L'appareil extérieur produit de la condensation lors du fonctionnement du chauffage. Prévoir un système de drainage autour de l'appareil extérieur au cas où la condensation provoquerait des dommages.
- Lors de l'installation de l'appareil dans un hôpital ou un centre de communications, se préparer au bruit et aux interférences électroniques. Les inverseurs, les appareils électroménagers, les équipements médicaux haute fréquence et de communications radio peuvent provoquer un dysfonctionnement ou une défaillance du climatiseur. Le climatiseur peut également endommager les équipements médicaux et de communications, perturbant ainsi les soins et réduisant la qualité d'affichage des écrans.

1.2. Avant l'installation (déplacement)

⚠ Précaution:

- Transporter les appareils avec précaution. L'appareil doit être transporté par deux personnes ou plus, car il pèse 20 kg, 44 lbs minimum. Portez des gants de protection pour sortir l'appareil de son emballage et pour le déplacer, car vous risquez de vous blesser les mains sur les ergots ou les arêtes des autres pièces.
- Veiller à éliminer le matériel d'emballage en toute sécurité. Le matériel d'emballage (clous et autres pièces en métal ou en bois) peut provoquer des blessures.

- La base et les fixations de l'appareil extérieur doivent être vérifiées régulièrement pour éviter qu'elles ne se desserrent, se fissent ou subissent d'autres dommages. Si ces défauts ne sont pas corrigés, l'appareil peut tomber et provoquer des dommages ou des blessures.
- Ne pas nettoyer le climatiseur à l'eau au risque de provoquer un choc électrique.
- Serrer les écrous évasés, conformément aux spécifications, à l'aide d'une clé dynamométrique. Si les écrous sont trop serrés, ils peuvent se casser après un certain temps et provoquer une fuite de réfrigérant.

1. Consignes de sécurité

1.3. Avant l'installation électrique

⚠ Prudence:

- Veiller à installer des coupe-circuits. Dans le cas contraire, un choc électrique peut se produire.

IMPORTANT

S'assurer que le disjoncteur de fuite de courant est compatible avec les harmoniques les plus élevées.

Veiller à toujours utiliser un disjoncteur de fuite de courant compatible avec les harmoniques les plus élevées car cet appareil est équipé d'un inverseur.

L'utilisation d'un disjoncteur inapproprié peut provoquer un dysfonctionnement de l'onduleur.

- Pour les lignes électriques, utiliser des câbles standard de capacité suffisante. Dans le cas contraire, un court-circuit, une surchauffe ou un incendie peut se produire.
- Lors de l'installation des lignes électriques, ne pas mettre les câbles sous tension. Si les connexions sont desserrées, les câbles peuvent se rompre et provoquer une surchauffe ou un incendie.
- Veiller à mettre l'appareil à la terre. Ne pas relier le fil de terre aux conduites de gaz ou d'eau, aux paratonnerres ou aux lignes de terre téléphoniques. Une mise à la terre incorrecte de l'appareil peut provoquer un choc électrique.
- Utiliser des coupe-circuits (disjoncteur de fuite à la terre, interrupteur d'isolement (fusible +B) et disjoncteur à boîtier moulé) à la capacité spécifiée. Si la capacité du coupe-circuit est supérieure à celle spécifiée, une défaillance ou un incendie peut se produire.

1.4. Avant la marche d'essai

⚠ Prudence:

- Activer l'interrupteur principal au moins 12 heures avant la mise en fonctionnement de l'appareil. L'utilisation de l'appareil juste après sa mise sous tension peut endommager sérieusement les pièces internes. Laisser l'interrupteur activé pendant la période d'utilisation.
- Avant d'utiliser l'appareil, vérifier que tous les panneaux, toutes les protections et les autres pièces de sécurité sont correctement installés. Les pièces tournantes, chaudes ou à haute tension peuvent provoquer des blessures.
- Ne pas toucher les interrupteurs les mains humides au risque de provoquer un choc électrique.

- Ne pas toucher les tuyaux de réfrigérant les mains nues lors de l'utilisation. Les tuyaux de réfrigérant sont chauds ou froids en fonction de l'état du réfrigérant qu'ils contiennent. Toucher les tuyaux peut provoquer des brûlures ou des gelures.
- A la fin de l'utilisation de l'appareil, attendre au moins cinq minutes avant de désactiver l'interrupteur principal. Dans le cas contraire, une fuite d'eau ou une défaillance peut se produire.

1.5. Utilisation de climatiseurs utilisant le réfrigérant R410A

⚠ Prudence:

- Utiliser le cuivre phosphoreux C1220, pour des tuyaux sans soudure en cuivre et en alliage de cuivre, pour raccorder les tuyaux de réfrigérant. Vérifier que l'intérieur des tuyaux est propre et dépourvu de tout agent nocif tel que des composés sulfuriques, des oxydants, des débris ou des saletés. Utiliser des tuyaux d'épaisseur spécifiée. (Se reporter à la page 22). Respecter les instructions suivantes en cas de réutilisation de tuyaux de réfrigérant R22 existants.
- Remplacer les écrous évasés existants et évaser de nouveau les sections évasées.
- Ne pas utiliser de tuyaux fins. (Se reporter à la page 22)
- Stocker à l'intérieur les tuyaux à utiliser pendant l'installation et couvrir les deux extrémités jusqu'au processus de brasage. (Laisser les joints de coude, etc. dans leur emballage.) L'infiltration de poussières, de débris ou d'humidité dans les tuyaux de réfrigérant peut affecter la qualité de l'huile ou endommager le compresseur.
- Appliquer une petite quantité d'huile ester, éther ou alkylbenzène comme huile réfrigérante sur les sections évasées. Le mélange d'huile minérale et d'huile réfrigérante peut affecter la qualité de l'huile.

- Ne pas utiliser un réfrigérant autre que le réfrigérant R410A. Si c'est le cas, le chlore peut affecter la qualité de l'huile.
- Utiliser les outils suivants spécialement conçus pour une utilisation avec le réfrigérant R410A. Les outils suivants sont nécessaires pour utiliser le réfrigérant R410A. En cas de questions, contacter le revendeur le plus proche.

Outils (pour R410A)	
Collecteur jauge	Outil d'évasement
Tuyau de charge	Jauge de réglage de la taille
Détecteur de fuite de gaz	Adaptateur pour pompe à vide
Clé dynamométrique	Echelle électronique de charge de réfrigérant

- Veiller à utiliser les outils adaptés. L'infiltration de poussières, de débris ou d'humidité dans les tuyaux de réfrigérant peut affecter la qualité de l'huile réfrigérante.
- Ne pas utiliser un cylindre de charge. L'utilisation d'un cylindre de charge peut modifier la composition du réfrigérant et réduire son efficacité.

2. Pièces et schéma d'installation

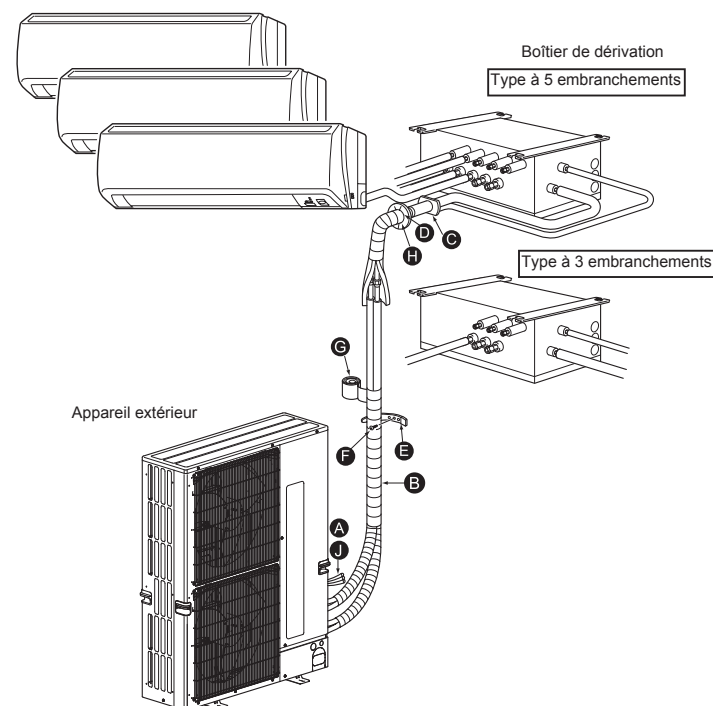


Fig. 2-1

2.1. Avant l'installation (Fig. 2-1)

Ce manuel d'installation ne traite que de l'installation d'un appareil extérieur. Se reporter au manuel d'installation propre à chaque appareil lors de l'installation d'appareils intérieurs et du boîtier de dérivation.

Toutes modifications structurelles requises pour l'installation doivent être conformes au code du bâtiment local en vigueur.

Ce schéma vise à montrer la configuration des accessoires. Dans le cadre d'une installation réelle, l'appareil extérieur doit être tourné de 180°.

Les appareils doivent être installés par des fournisseurs qualifiés conformément à la réglementation locale.

Remarque :
Les dimensions indiquées au-dessus des flèches sont indispensables pour garantir les performances du climatiseur. Installer l'appareil dans un emplacement aussi spacieux que possible pour faciliter son entretien ou ses réparations ultérieurement.

Pièces à acheter localement

A	Fil de raccordement du boîtier de dérivation/de l'appareil extérieur (3 conducteurs)	1
B	Tuyau d'extension	1
C	Manchon d'ouverture murale	1
D	Gaine d'ouverture murale	1
E	Bande de fixation de tuyau (la quantité dépend de la longueur du tuyau.)	2 à 7
F	Vis de fixation pour E 4 x 20 mm (13/16") (la quantité dépend de la longueur du tuyau.)	2 à 7
G	Ruban adhésif de tuyauterie	1
H	Mastic	1
I	Huile réfrigérante	1
J	Cordon d'alimentation (2 conducteurs, se reporter à la section 7.3. Mise en place des câbles de transmission.)	1

3. Emplacement d'installation

3.1. Tuyaux de réfrigérant

Se reporter à la section 5.2. Longueur de tuyau et différence de hauteur.

3.2. Sélection de l'emplacement d'installation de l'appareil extérieur

- Éviter les endroits exposés au rayonnement solaire direct ou à d'autres sources de chaleur.
- Sélectionner un endroit où le bruit de l'appareil n'incommodera pas le voisinage.
- Sélectionner un endroit permettant un accès facile des câbles et tuyaux à la source d'alimentation et à l'appareil intérieur.
- Éviter les endroits exposés à des risques de fuite, d'échappement ou d'accumulation de gaz.
- Ne pas oublier que des gouttes d'eau peuvent couler de l'appareil lors de son utilisation.
- Sélectionner un endroit de niveau pouvant supporter le poids et les vibrations de l'appareil.
- Éviter les endroits où l'appareil peut être recouvert de neige. Dans les zones où les chutes de neige importantes sont prévisibles, certaines précautions (par ex., relever l'emplacement d'installation ou installer une hotte sur l'arrivée d'air) doivent être prises pour éviter que la neige ne bloque l'arrivée d'air ou ne tombe directement dessus. La circulation de l'air risque de diminuer et d'entraîner un dysfonctionnement.
- Éviter les endroits exposés à l'huile, à la vapeur ou au gaz sulfurique.
- Utiliser les poignées de transport (quatre emplacements à gauche, à droite, à l'avant et à l'arrière) de l'appareil extérieur pour le déplacer. Transporter l'appareil par le bas peut provoquer des pincements aux mains ou aux doigts.

3.3. Dimensions extérieures (Appareil extérieur) (Fig. 3-1)

3.4. Contraintes concernant l'installation d'un appareil intérieur et d'un boîtier de raccordement

Les contraintes suivantes s'appliquent aux appareils intérieurs qui peuvent être raccordés à cet appareil extérieur.

- Les appareils intérieurs avec les numéros de modèle suivants peuvent être raccordés : 06, 09, 12, 15, 18, 24, 30 et 36.
 - Pour le nombre d'appareils qui peuvent être raccordés, se reporter au Tableau 1 ci-dessous.
 - La capacité nominale totale (refroidissement) des appareils intérieurs raccordés (voir Tableau 2) ne doit pas dépasser 130 % de la capacité de l'appareil extérieur (se reporter à la plage de capacités des appareils raccordés au Tableau 1).
- En outre, 2 boîtiers de raccordement peuvent être raccordés au maximum.

Tableau 1 : Nombre d'appareils pouvant être raccordés et plage de capacités des appareils raccordés

Nom de modèle appareil extérieur	Nombre d'appareils pouvant être raccordés	Plage de capacités des appareils raccordés
MXZ-4C36	2-4* appareils	12-46 kBTU/h
MXZ-5C42	2-5* appareils	12-54 kBTU/h
MXZ-8C48	2-8* appareils	12-62 kBTU/h

* Pour la série MVZ, il est possible de raccorder 2 appareils maximum. Cependant, lorsque 2 appareils MVZ sont raccordés, il n'est pas possible de raccorder d'autres appareils intérieurs.

Tableau 2 : Capacité nominale (refroidissement) des appareils intérieurs

N° de modèle	06	09	12	15	18	24	30	36
Capacité nominale (refroidissement)	6	9	12	15	18	24	30	36

Exemple: MXZ-8C48

MSZ-18 = 18
 +
 SEZ-12 = 12
 +
 SLZ-12 = 12
 +
 SEZ-09 = 9
 +
 SLZ-09 = 9

} Capacité nominale totale
 $60 \leq 62 \text{ kBTU/h}$

Dans les combinaisons dans lesquelles la capacité totale des appareils intérieurs est supérieure à la capacité de l'appareil extérieur, la capacité de refroidissement de chaque appareil intérieur sera réduite en dessous de sa capacité de refroidissement nominale. Par conséquent, combiner des appareils intérieurs à un appareil extérieur sans dépasser la capacité de ce dernier, si possible.

3.5. Ventilation et espace de service

3.5.1. Installation à un endroit exposé au vent

Lors de l'installation de l'appareil extérieur sur un toit ou à d'autres endroits non protégés du vent, diriger la sortie d'air de l'appareil vers le côté qui n'est pas directement exposé aux vents forts. Le vent soufflant dans la sortie d'air peut empêcher l'air de circuler normalement et provoquer un dysfonctionnement.

Voici trois exemples de précautions à prendre.

- ① Positionner la sortie d'air vers le mur le plus proche et à environ 50 cm (19-11/16") de celui-ci. (Fig. 3-2)
 - ② Installer un guidage d'air optionnel si l'appareil est placé dans un endroit où les vents violents d'un typhon par exemple pourraient s'engouffrer directement dans la sortie d'air. (Fig. 3-3)
 - ③ Placer l'appareil de sorte que la sortie d'air souffle dans la direction perpendiculaire à celle des vents saisonniers, si celle-ci est connue. (Fig. 3-4)
- Ⓐ Guidage d'air
 Ⓑ Sens du vent

(pouce)

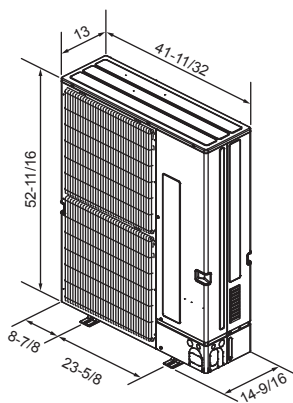


Fig. 3-1

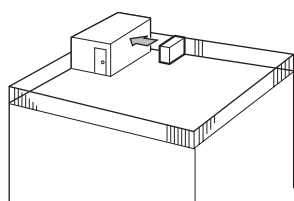


Fig. 3-2

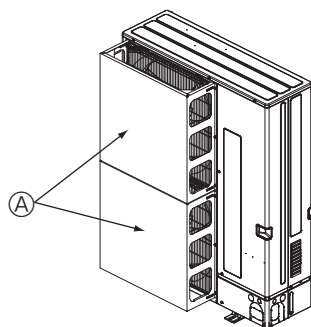


Fig. 3-3

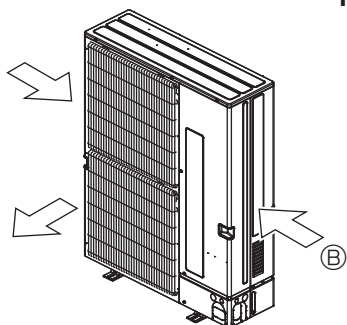


Fig. 3-4

3. Emplacement d'installation

(pouce)

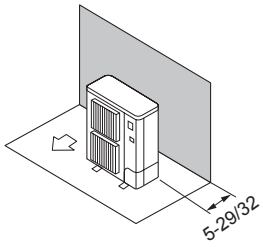


Fig. 3-5

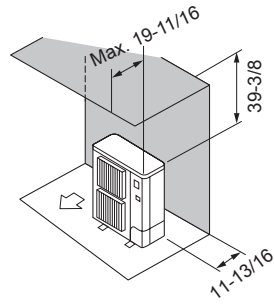


Fig. 3-6

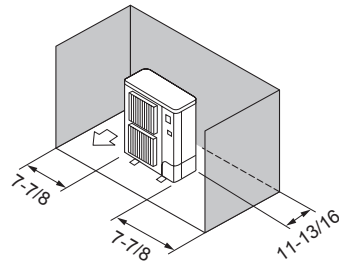


Fig. 3-7

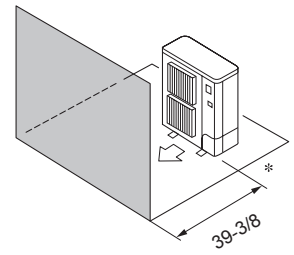


Fig. 3-8

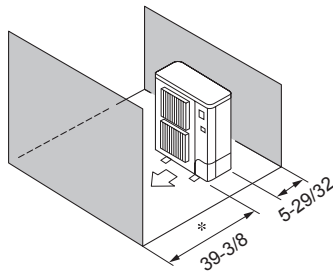


Fig. 3-9

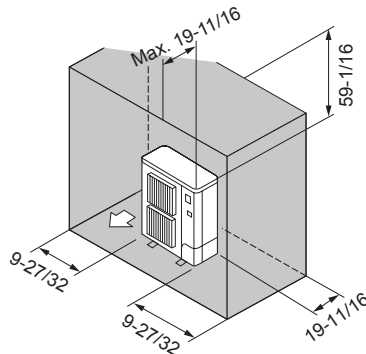


Fig. 3-10

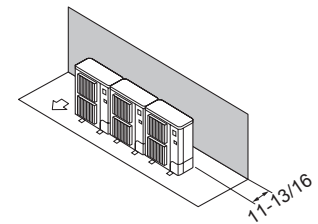


Fig. 3-11

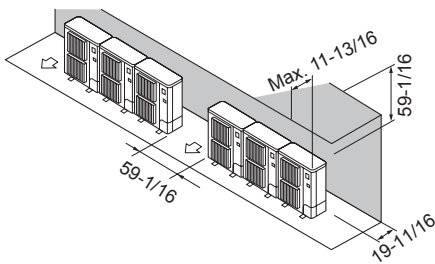


Fig. 3-12

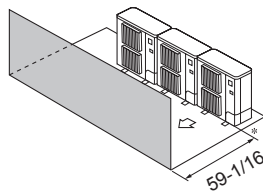


Fig. 3-13

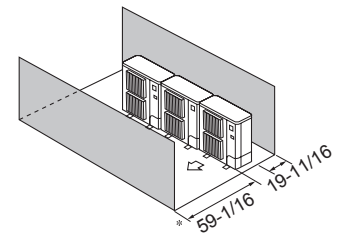


Fig. 3-14

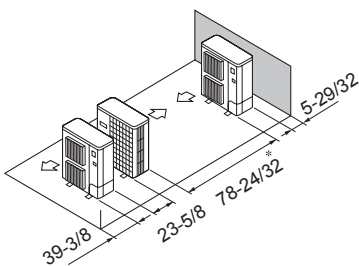


Fig. 3-15

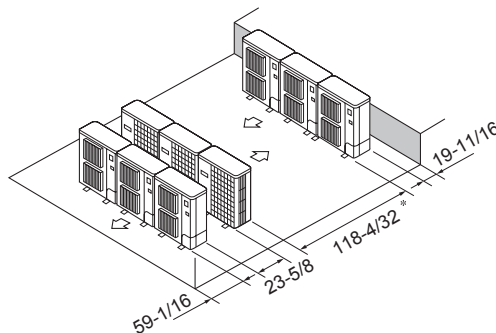


Fig. 3-16

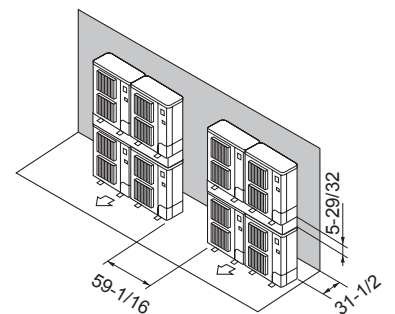


Fig. 3-17

3.5.2. Lors de l'installation d'un seul appareil extérieur

Le dimensions minimales sont les suivantes, à l'exception des valeurs Max., indiquant les dimensions maximales.

Utiliser les chiffres pour chaque cas.

- ① Obstacles uniquement à l'arrière (Fig. 3-5)
- ② Obstacles uniquement à l'arrière et au-dessus (Fig. 3-6)
- ③ Obstacles uniquement à l'arrière et sur les côtés (Fig. 3-7)
- ④ Obstacles uniquement à l'avant (Fig. 3-8)
 - * Lors de l'utilisation les guidages de sortie d'air en option, le jeu est de 19-11/16" (500 mm) minimum.
- ⑤ Obstacles uniquement à l'avant et à l'arrière (Fig. 3-9)
 - * Lors de l'utilisation les guidages de sortie d'air en option, le jeu est de 19-11/16" (500 mm) minimum.
- ⑥ Obstacles uniquement à l'arrière, sur les côtés et au-dessus (Fig. 3-10)
 - * Ne pas utiliser les guidages de sortie d'air en option pour un débit d'air vers le haut.

3.5.3. Lors de l'installation de plusieurs appareils extérieurs

Espacer les appareils de 1" (25 mm) minimum.

- ① Obstacles uniquement à l'arrière (Fig. 3-11)
- ② Obstacles uniquement à l'arrière et au-dessus (Fig. 3-12)
 - Ne pas installer côte à côte plus de trois appareils. Espacer également les appareils, comme illustré.
 - Ne pas utiliser les guidages de sortie d'air en option pour un débit d'air vers le haut.
- ③ Obstacles uniquement à l'avant (Fig. 3-13)
 - * Lors de l'utilisation les guidages de sortie d'air en option, le jeu est de 39-3/8" (1000 mm) minimum.
- ④ Obstacles uniquement à l'avant et à l'arrière (Fig. 3-14)
 - * Lors de l'utilisation les guidages de sortie d'air en option, le jeu est de 39-3/8" (1000 mm) minimum.
- ⑤ Disposition pour un seul appareil parallèle (Fig. 3-15)
 - * Lors de l'utilisation les guidages de sortie d'air en option installé pour un débit d'air vers le haut, le jeu est de 39-3/8" (1000 mm) minimum.
- ⑥ Disposition pour plusieurs appareils parallèles (Fig. 3-16)
 - * Lors de l'utilisation les guidages de sortie d'air en option installé pour un débit d'air vers le haut, le jeu est de 59-1/16" (1500 mm) minimum.
- ⑦ Disposition pour appareils empilés (Fig. 3-17)
 - Il est possible d'empiler jusqu'à deux appareils.
 - Ne pas installer côte à côte plus de deux appareils empilés. Espacer également les appareils, comme illustré.

4. Installation de l'appareil extérieur

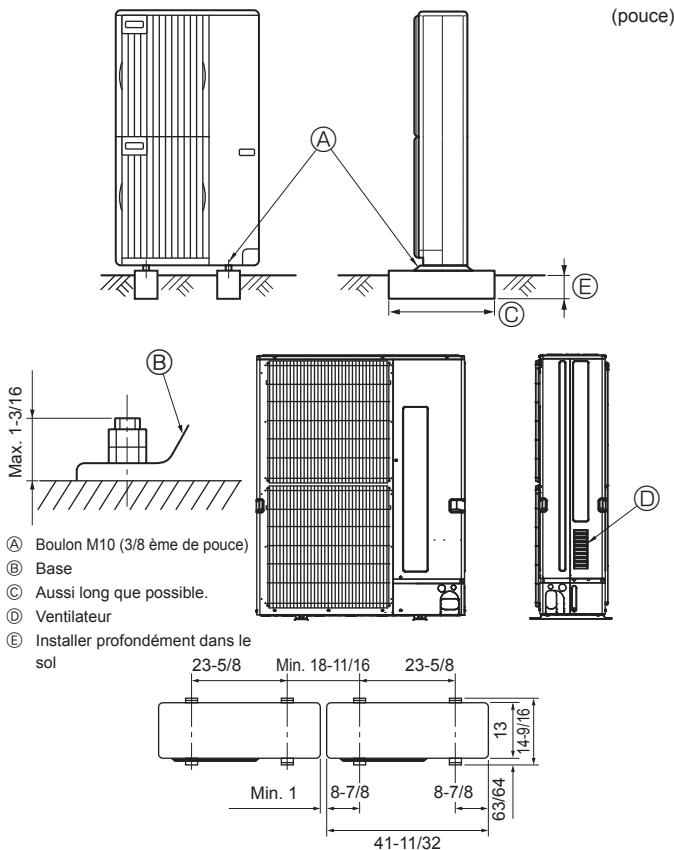


Fig. 4-1

- Bien installer l'appareil sur une surface solide et de niveau, de façon à éviter tout bruit de crécelle pendant le fonctionnement. (Fig. 4-1)

<Spécifications de la fondation>

Boulon de fondation	M10 (3/8 ème de pouce)
Épaisseur de béton	120 mm (4-23/32 ème de pouce)
Longueur des boulons	70 mm (2-3/4 ème de pouce)
Résistance au poids	320 kg (705 lbs)

- S'assurer que la longueur des boulons de fondation ne dépasse pas 30 mm (1-3/16") par rapport à la surface inférieure de la base.
- Fixer fermement la base de l'appareil avec quatre boulons de fondation M10 placés à des endroits suffisamment robustes.

Installation de l'appareil extérieur

- Ne pas bloquer le ventilateur. Si le ventilateur est bloqué, l'appareil sera ralenti et risque d'être endommagé.
- Pour installer l'appareil, utiliser, si nécessaire et en plus de la base de l'appareil, les orifices d'installation situés à l'arrière pour fixer les câbles, etc. Utiliser des vis autotaraudeuses (ø5 × 15 mm, ø13/16" × 19/32" maximum) et installer l'appareil sur site.

⚠ Avertissement:

- L'appareil doit être solidement installé sur une structure pouvant supporter son poids. Si l'appareil est fixé sur une structure instable, il risque de tomber et de provoquer des dommages ou des blessures.
- L'appareil doit être installé conformément aux instructions pour réduire les risques de dommages liés à des tremblements de terre, des typhons ou des vents violents. Une installation incorrecte peut entraîner la chute de l'appareil et provoquer des dommages ou des blessures.

⚠ Attention:

- Installez l'appareil sur une surface solide pour éviter des bruits ou des vibrations d'opération excessives.

5. Installation de la tuyauterie du réfrigérant

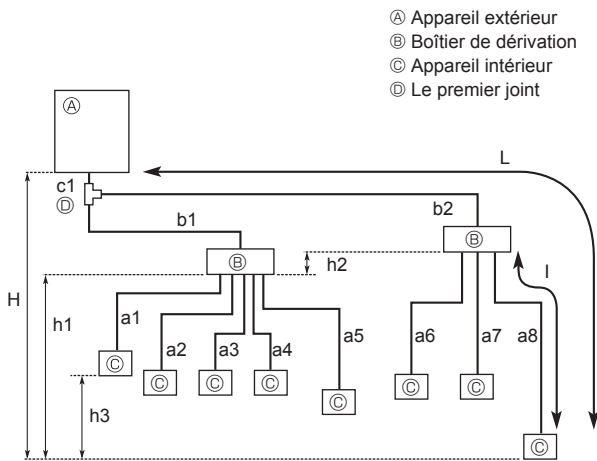


Fig. 5-1

5.1. Consignes pour appareils utilisant le réfrigérant R410A

- Se reporter à la page 19 pour les consignes non reprises ci-dessous concernant l'utilisation de climatiseurs avec un réfrigérant R410A.
- Appliquer une petite quantité d'huile ester, éther ou alkylbenzène comme huile réfrigérante sur les sections évasées.
- Utiliser le cuivre phosphoreux C1220, pour des tuyaux sans soudure en cuivre et en alliage de cuivre, pour raccorder les tuyaux de réfrigérant. Utiliser les tuyaux de réfrigérant dont l'épaisseur est spécifiée dans le tableau ci-dessous. Vérifier que l'intérieur des tuyaux est propre et dépourvu de tout agent nocif tel que des composés sulfuriques, des oxydants, des débris ou des saletés.

⚠ Avertissement:

Lors de l'installation, du déplacement ou de l'entretien de l'appareil extérieur, n'utilisez que le réfrigérant spécifié (R410A) pour remplir les tuyaux de réfrigérant. Ne pas le mélanger avec un autre réfrigérant et faire le vide d'air dans les tuyaux. Si du réfrigérant est mélangé avec de l'air, cela peut provoquer des pointes de pression dans les tuyaux de réfrigérant et entraîner une explosion et d'autres risques. L'utilisation d'un réfrigérant différent de celui spécifié pour le climatiseur peut entraîner des défaillances mécaniques, des dysfonctionnements du système ou une panne de l'appareil. Dans le pire des cas, cela peut entraîner un obstacle à la mise en sécurité du produit.

ø6,35 mm (1/4 pouce), ø9,52 mm (3/8 pouce), ø12,7 mm (1/2 pouce)	Épaisseur 0,8 mm (1/32 pouce)
ø15,88 (5/8 pouce)	Épaisseur 1,0 mm (5/128 pouce)

- Ne pas utiliser de tuyaux plus fins que ceux spécifiés ci-dessus.
- Les épaisseurs du tableau ci-dessus sont basées sur les normes japonaises. Utilisez des tuyaux présentant une pression de fonctionnement maximale de 4,15 MPa [601 PSIG] ou plus selon les normes locales.

Longueur admise (un sens)	Longueur de tuyau totale	$c1 + b1 + b2 + a1 + a2 + a3 + a4 + a5 + a6 + a7 + a8 \leq 150 \text{ m (492 ft.)}$
	Longueur de tuyau maximum (L)	$c1 + b2 + a8 \leq 80 \text{ m (262 ft.)}$ ($b2 \leq 55 \text{ m (180 ft.)}$, $a8 \leq 25 \text{ m (82 ft.)}$)
	Longueur de tuyau entre l'appareil extérieur et les boîtiers de dérivation	$c1 + b1 + b2 \leq 55 \text{ m (180 ft.)}$
	Boîtier de dérivation le plus éloigné du premier joint (b2)	$b2 \leq 30 \text{ m (98 ft.)}$
	Longueur de tuyau maximum après le boîtier de dérivation (l)	$a8 \leq 25 \text{ m (82 ft.)}$
Différence de hauteur admise (un sens)	Longueur de tuyau totale entre les boîtiers de dérivation et les appareils intérieurs	$a1 + a2 + a3 + a4 + a5 + a6 + a7 + a8 \leq 95 \text{ m (311 ft.)}$
	Dans la section intérieure/extérieure (H) *1	$H \leq 50 \text{ m (164 ft.)}$ (Si l'appareil extérieur est placé plus haut que l'appareil intérieur) $H \leq 40 \text{ m (131 ft.)}$ (Si l'appareil extérieur est placé plus bas que l'appareil intérieur)
	Dans la section boîtier de dérivation/appareil intérieur (h1)	$h1 + h2 \leq 15 \text{ m (49 ft.)}$
	Dans chaque appareil de dérivation (h2)	$h2 \leq 15 \text{ m (49 ft.)}$
Nombre de coudes	Dans chaque appareil intérieur (h3)	$h3 \leq 12 \text{ m (39 ft.)}$
		$ c1 + b1 + a1 , c1 + b1 + a2 , c1 + b1 + a3 , c1 + b1 + a4 , c1 + b1 + a5 , c1 + b2 + a6 , c1 + b2 + a7 , c1 + b2 + a8 \leq 15$

*1 Placer le boîtier de dérivation à une hauteur comprise entre celle de l'appareil extérieur et des appareils intérieurs.

5. Installation de la tuyauterie du réfrigérant

5.2. Longueur de tuyau et différence de hauteur (Fig. 5-1)

Raccordements évasés

- Cet appareil intègre des raccordements évasés de chaque côté des appareils intérieurs, du boîtier de dérivation et de l'appareil extérieur.

- Retirer le couvercle de soupape de l'appareil extérieur, puis raccorder le tuyau.
- Les tuyaux de réfrigérant servent à raccorder le boîtier de dérivation et l'appareil extérieur.

5.3. Charge supplémentaire de réfrigérant

Charge supplémentaire de réfrigérant

Le réfrigérant pour les extensions de tuyauterie n'est pas inclus dans l'appareil extérieur lors de sa sortie d'usine. Par conséquent, chargez le réfrigérant supplémentaire dans chaque système de conduites de réfrigérant sur le lieu d'installation. En outre, pour l'entretien, indiquez la section et la longueur de chaque conduite de liquide ainsi que les quantités de charge supplémentaires dans les espaces prévus à cet effet sur la plaquette "Quantité de réfrigérant" située sur l'appareil extérieur.

Calcul de la charge supplémentaire de réfrigérant

- Calculez la charge supplémentaire à l'aide de la section de la conduite de liquide et de la longueur de l'extension de tuyauterie.
- Calculez la charge de réfrigérant supplémentaire selon la procédure indiquée à droite, et chargez le système à l'aide du réfrigérant supplémentaire.
- Pour les quantités inférieures à 0,1 kg, arrondissez la charge de réfrigérant supplémentaire calculée.
(Par exemple, si la charge calculée est de 6,01 kg, arrondissez-la à 6,1 kg.)

<Charge supplémentaire>

Calcul de la charge de réfrigérant

Dimension des tuyaux Conduit de liquide ø6,35	+	Dimension des tuyaux Conduit de liquide ø9,52	+	Capacité totale des appareils intérieurs connectés	Quantité pour les appareils intérieurs
(m) × 19,0 (g/m) (0,21 (oz/ft))		(m) × 50,0 (g/m) (0,55 (oz/ft))		- 27	1,5 kg (53 oz)
				28 - 54	2,5 kg (88 oz)
				55 - 62	3,0 kg (106 oz)

Y compris quantité de réfrigérant à la sortie d'usine

Y compris quantité de réfrigérant
4,8 kg (10 lbs, 9 oz)

<Exemple>

Modèle extérieur : MXZ-8C48NAHZ

Intérieur 1 : modèle 24	A : ø9,52	30 m	a : ø9,25	15 m (49 ft)	} Dans les conditions indiquées ci-dessous:
2 : modèle 15			b : ø6,35	10 m (33 ft)	
3 : modèle 09			c : ø6,35	10 m (33 ft)	
4 : modèle 09			d : ø6,35	20 m (66 ft)	

La longueur totale de chaque tuyau de liquide est la suivante:

ø9,52 : A + a = 30 + 15 = 45 m (148 ft)

ø6,35 : b + c + d = 10 + 10 + 20 = 40 m (131 ft)

La capacité totale de chaque appareil intérieur connecté est la suivante :
24 + 15 + 09 + 09 = 57

<Exemple de calcul>

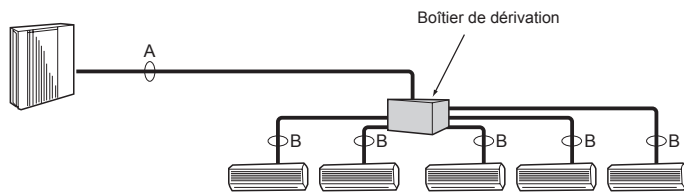
Charge de réfrigérant supplémentaire

$$40 \times \frac{19,0}{1000} + 45 \times \frac{50,0}{1000} + 3,0 = 6,1 \text{ kg (arrondi au chiffre supérieur)}$$

$$(131 \times 0,21 + 148 \times 0,55 + 106 = 215 \text{ oz})$$

■ En cas d'utilisation d'1 boîtier de dérivation

Raccordement évasé utilisé. (Pas de brasage)



■ En cas d'utilisation de 2 boîtiers de dérivation

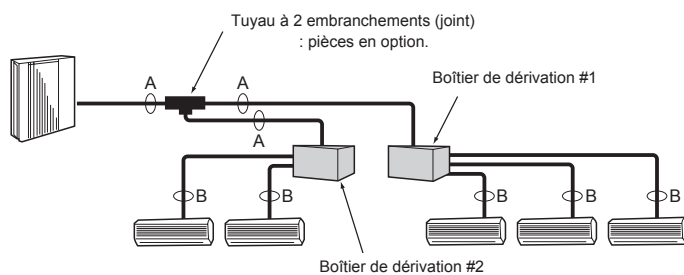


Fig. 5-2

(1) Taille de la vanne pour l'appareil extérieur

Pour les liquides	ø9,52 mm (3/8 pouce)
Pour le gaz	ø15,88 mm (5/8 pouce)

(2) Taille de la vanne pour le boîtier de dérivation

APPAREIL	Conduit de liquide	ø6,35 mm (1/4 pouce)
A	Conduit de gaz	ø9,52 mm (3/8 pouce)
	Conduit de liquide	ø6,35 mm (1/4 pouce)
B	Conduit de gaz	ø9,52 mm (3/8 pouce)
	Conduit de liquide	ø6,35 mm (1/4 pouce)
C	Conduit de gaz	ø9,52 mm (3/8 pouce)
	Conduit de liquide	ø6,35 mm (1/4 pouce)
D	Conduit de gaz	ø9,52 mm (3/8 pouce)
	Conduit de liquide	ø6,35 mm (1/4 pouce)
E	Conduit de gaz	ø12,7 mm (1/2 pouce)
	Conduit de liquide	ø6,35 mm (1/4 pouce)

* Type à 3 embranchements : uniquement l'appareil A, B, C

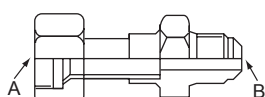


Fig. 5-3

Formule de conversion

1/4 F	ø6,35 (1/4)
3/8 F	ø9,52 (3/8)
1/2 F	ø12,7 (1/2)
5/8 F	ø15,88 (5/8)
3/4 F	ø19,05 (3/4)

5.4. Sélection de la taille du tuyau (Fig. 5-2)

Formule de conversion

	A	B
Liquide	ø9,52 mm (3/8 pouce)	La taille des raccordements de tuyau diffère selon le type et la capacité des appareils intérieurs. Adapter la taille du raccordement du tuyau du boîtier de dérivation à l'appareil intérieur. Si la taille du raccordement du tuyau du boîtier de dérivation diffère de celle du raccordement du tuyau de l'appareil intérieur, utiliser des joints de diamètre différent (déformés), disponibles en option, au niveau du boîtier de dérivation. (Raccorder le joint déformé directement au niveau du boîtier de dérivation.)
Gaz	ø15,88 mm (5/8 pouce)	

Joint de diamètre différent (pièces disponibles en option) (Fig. 5-3)

Nom de modèle	Diamètre des tuyaux raccordés	Diamètre A	Diamètre B
	mm (pouce)	mm (pouce)	mm (pouce)
MAC-A454JP	ø9,52 (3/8) → ø12,7 (1/2)	ø9,52 (3/8)	ø12,7 (1/2)
MAC-A455JP	ø12,7 (1/2) → ø9,52 (3/8)	ø12,7 (1/2)	ø9,52 (3/8)
MAC-A456JP	ø12,7 (1/2) → ø15,88 (5/8)	ø12,7 (1/2)	ø15,88 (5/8)
PAC-493PI	ø6,35 (1/4) → ø9,52 (3/8)	ø6,35 (1/4)	ø9,52 (3/8)
PAC-SG76RJ-E	ø9,52 (3/8) → ø15,88 (5/8)	ø9,52 (3/8)	ø15,88 (5/8)

Préparation du tuyau

- Le tableau ci-dessous présente les spécifications des tuyaux disponibles dans le commerce.

Diamètre extérieur	Epaisseur de l'isolation	Matériau d'isolation
mm (pouce)	mm (pouce)	
6,35 (1/4)	8 (5/16)	Plastique expansé résistant à la chaleur ayant une gravité spécifique de 0,045.
9,52 (3/8)	8 (5/16)	
12,7 (1/2)	8 (5/16)	
15,88 (5/8)	8 (5/16)	

- Vérifier que les 2 tuyaux de réfrigérant sont isolés pour empêcher la formation de condensation.

- Le rayon de pliage du tuyau de réfrigérant doit être de 4 pouce (100 mm) minimum.

⚠ Précaution

Veiller à utiliser l'isolation de l'épaisseur indiquée. Une épaisseur trop importante peut engendrer une installation incorrecte de l'appareil intérieur et du boîtier de dérivation ; une épaisseur trop faible peut provoquer un égouttement de la condensation.

Tuyau à 2 embranchements (Joint) : Pièces disponibles en option (en fonction de la méthode de raccordement choisie, il est possible de choisir votre préférée).

Nom de modèle	Méthode de raccordement
MSDD-50AR-E	évasement
MSDD-50BR-E	brasage

■ Procédure d'installation (tuyau à 2 embranchements (Joint))

Veillez consulter les manuels d'installation des MSDD-50AR-E et MSDD-50BR-E.

5. Installation de la tuyauterie du réfrigérant

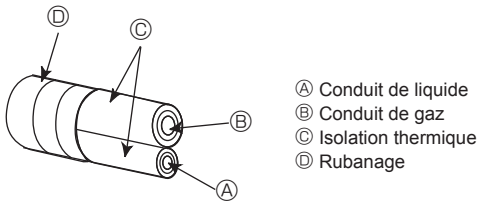
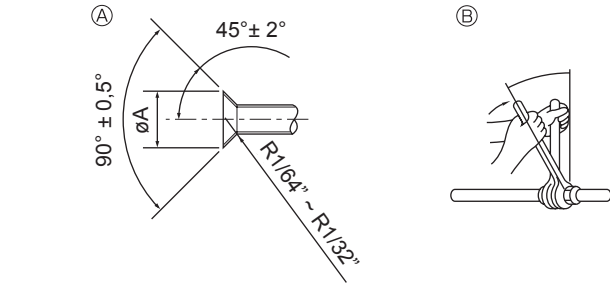


Fig. 5-4



- Ⓐ Dimension de l'évasement
- Ⓑ Couple de serrage du raccord conique

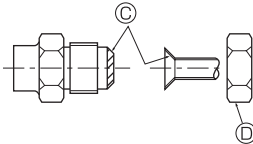


Fig. 5-5

Ⓐ (Fig. 5-5)

Diam. ext. Tuyau en cuivre (mm) (pouce)	Dimensions évasement Dimensions ϕA (mm) (pouce)
$\phi 6,35$ (1/4)	8,7 - 9,1 (5/16 - 3/8)
$\phi 9,52$ (3/8)	12,8 - 13,2 (1/2)
$\phi 12,7$ (1/2)	16,2 - 16,6 (5/8)
$\phi 15,88$ (5/8)	19,3 - 19,7 (3/4)

Diam. ext. Tuyau en cuivre (mm) (pouce)	Diam. ext. raccord conique (mm) (pouce)	Couple de serrage (N·m)* (ft·lb)
$\phi 6,35$ (1/4)	17 (11/16)	14 - 18 (10 - 13)
$\phi 6,35$ (1/4)	22 (7/8)	34 - 42 (25 - 30)
$\phi 9,52$ (3/8)	22 (7/8)	34 - 42 (25 - 30)
$\phi 9,52$ (3/8)	26 (1-1/4)	49 - 61 (35 - 44)
$\phi 12,7$ (1/2)	26 (1-1/4)	49 - 61 (35 - 44)
$\phi 12,7$ (1/2)	29 (1-1/8)	68 - 82 (49 - 59)
$\phi 15,88$ (5/8)	29 (1-1/8)	68 - 82 (49 - 59)
$\phi 15,88$ (5/8)	36 (1-7/16)	100 - 120 (71 - 87)

* 1 N·m \approx 10 kgf·cm

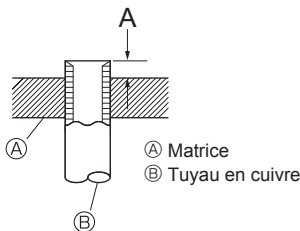


Fig. 5-6

⚠ Avertissement:

Pendant l'opération d'aspiration du réfrigérant, arrêtez le compresseur avant de débrancher les tuyaux de réfrigérant. Le compresseur risque d'éclater et de provoquer des blessures si une substance étrangère, comme de l'air, pénètre dans le système.

5.5. Connexion des tuyaux (Fig. 5-4) (Fig. 5-5)

- Assurez-vous de bien isoler les tuyaux de réfrigérant pour éviter la formation de condensation sur les tuyaux. (de liquide et de gaz)
- Selon l'environnement d'installation des tuyaux de réfrigérant, il peut être nécessaire d'appliquer une couche d'isolation supplémentaire pour éviter la formation de condensation sur la surface du matériel d'isolation. (Température de résistance à la chaleur du matériel d'isolation : 120 °C, 248 °F ; épaisseur : 15 mm, 5/8 po. ou plus)
 - * Si les tuyaux de réfrigérant sont placés dans des endroits sujets à des températures/humidité élevées, tels que dans un grenier, une couche d'isolation supplémentaire peut être nécessaire.
- Pour isoler les tuyaux de réfrigérant, appliquez une mousse de polyéthylène résistante à la chaleur entre l'appareil intérieur et le matériel d'isolation, ainsi que dans tous les espaces entre le matériel d'isolation. (De la condensation sur les tuyaux peut causer de la condensation dans la pièce ou des brûlures lors de contacts avec les tuyaux.)
- Les parties intérieures du tuyau d'écoulement doivent également être entourées de matière isolante en mousse de polyéthylène (avec une poids spécifique de 0,03 et de 9 mm (3/8 pouce) d'épaisseur ou plus).

[Fig. 5-5]

- Appliquer un film mince d'huile réfrigérante sur la surface du tuyau et du support du joint avant de serrer l'écrou évasé. Ⓐ
- Utiliser deux clés pour serrer les connexions des tuyaux. Ⓑ
- Lorsque le raccord des tuyaux est terminé, utiliser un détecteur de fuite de gaz ou une solution savonneuse à base d'eau pour s'assurer qu'il n'y ait pas de fuite de gaz.
- Appliquer de l'huile réfrigérante sur toute la surface évasée du fond. Ⓒ
- Utiliser les raccords coniques comme suit. Ⓓ

⚠ Avertissement:

Pendant l'installation de l'appareil, branchez correctement les tuyaux de réfrigérant avant de lancer le compresseur.

■ Taille du tuyau (Appareil extérieur/Boîtier de dérivation)

Taille du tuyau (ømm) (pouce)	Liquide	ø9,52 (3/8)
	Gaz	ø15,88 (5/8)

La connexion réglage d'un appareil intérieur raccordable dépend de la région/du pays.

■ Taille du tuyau (Boîtier de dérivation/Appareil intérieur) *Cas des appareils intérieurs de la série M ou S

Type d'appareil intérieur	(BTU/h)	06	09	12	15	18	24
Taille du tuyau (ømm) (pouce)	Liquide	$\phi 6,35$ (1/4)	$\phi 6,35$ (1/4)	$\phi 6,35$ (1/4)	$\phi 6,35$ (1/4)	$\phi 6,35$ (1/4)	$\phi 9,52$ (3/8)
	Gaz	$\phi 9,52$ (3/8)	$\phi 9,52$ (3/8)	$\phi 9,52$ (3/8)	$\phi 12,7$ (1/2)	$\phi 12,7$ (1/2)	$\phi 15,88$ (5/8)

■ Taille du tuyau (Boîtier de dérivation/Appareil intérieur) *Cas de l'appareil intérieur de la série P

Type d'appareil intérieur	(BTU/h)	12	18	24	30	36
Taille du tuyau (ømm) (pouce)	Liquide	$\phi 6,35$ (1/4)	$\phi 6,35$ (1/4)	$\phi 9,52$ (3/8)	$\phi 9,52$ (3/8)	$\phi 9,52$ (3/8)
	Gaz	$\phi 12,7$ (1/2)	$\phi 12,7$ (1/2)	$\phi 15,88$ (5/8)	$\phi 15,88$ (5/8)	$\phi 15,88$ (5/8)

- Veiller à ne pas rompre les tuyaux lors de leur courbure. Un rayon de courbure de 100 mm (4 pouces) à 150 mm (6 pouce) est suffisant.
- Vérifier que les tuyaux ne touchent pas le compresseur. Des vibrations ou des bruits anormaux pourraient se produire.
- ① Raccorder les tuyaux en commençant par l'appareil intérieur. Serrer les écrous évasés à l'aide d'une clé dynamométrique.
- ② Evaser les conduits de liquide et de gaz, puis appliquer un film mince d'huile réfrigérante (application sur site).
- Si un procédé d'étanchéité traditionnel est utilisé pour les tuyaux, se reporter au tableau 2 pour l'évasement des tuyaux de réfrigérant R410A. La jauge de réglage de la taille peut être utilisée pour confirmer les mesures A.

⚠ Attention:

- Assurez-vous d'isoler les tuyaux. Un contact direct avec des tuyaux non isolés peut causer des brûlures ou des gelures.

Tableau 2 (Fig. 5-6)

Diam. ext. Tuyau en cuivre	A	
	Outil d'évasement pour le R410A	Outil d'évasement pour le R22-R407C
	Type embrayage	
$\phi 6,35$ (1/4)	0 - 0,5 (0 - 1/64)	1,0 - 1,5 (3/64 - 1/16)
$\phi 9,52$ (3/8)	0 - 0,5 (0 - 1/64)	1,0 - 1,5 (3/64 - 1/16)
$\phi 12,7$ (1/2)	0 - 0,5 (0 - 1/64)	1,0 - 1,5 (3/64 - 1/16)
$\phi 15,88$ (5/8)	0 - 0,5 (0 - 1/64)	1,0 - 1,5 (3/64 - 1/16)

5. Installation de la tuyauterie du réfrigérant

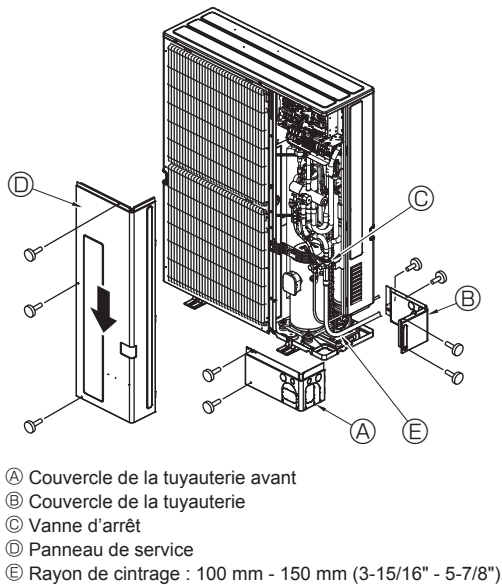


Fig. 5-7

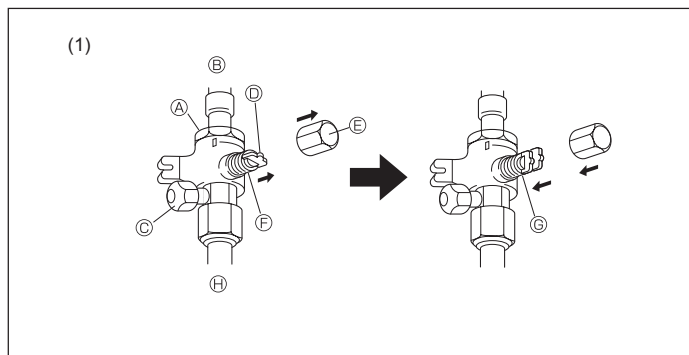


Fig. 5-8

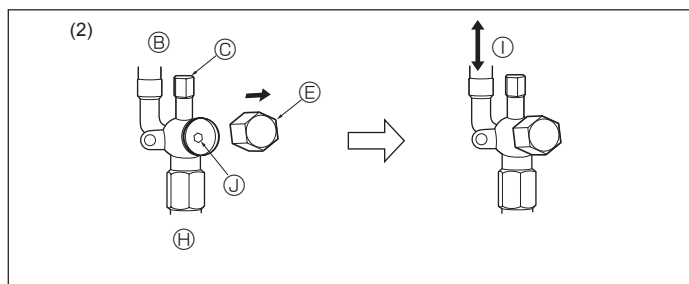


Fig. 5-9

- | | |
|---|--|
| <p>Ⓐ Vanne</p> <p>Ⓑ Côté appareil</p> <p>Ⓒ Orifice de service</p> <p>Ⓓ Levier</p> <p>Ⓔ Capuchon</p> | <p>Ⓔ Complètement fermé</p> <p>Ⓚ Complètement ouvert</p> <p>Ⓛ Côté tuyau réfrigérant (Installation sur le côté)</p> <p>Ⓜ Sens d'écoulement du réfrigérant</p> <p>Ⓨ Orifice de la clé</p> |
|---|--|

5.6. Mise en place des tuyaux de réfrigérant (Fig. 5-7)

Retirer le panneau de service ③ (3 vis), le cache-tuyaux avant ④ (2 vis) et le cache-tuyaux arrière ⑤ (4 vis).

- Effectuer les raccordements des tuyaux de réfrigérant de l'appareil intérieur/extérieur lorsque la vanne d'arrêt de l'appareil extérieur est complètement fermée.
- Faire le vide d'air de l'appareil intérieur et des tuyaux de raccordement.

Évacuation

Évacuez avec la valve de l'unité extérieure fermée et évacuez en même temps la tuyauterie de connexion et l'unité intérieure depuis le port de service fourni sur la valve de l'unité extérieure à l'aide d'une pompe à vide. (Évacuez toujours depuis le port de service du tube de liquide et du tube de gaz.) Après que le vide ait atteint 650 Pa [abs] [0,0943 psi/5 Torr], continuez l'évacuation pendant au moins une heure. Arrêtez ensuite la pompe à vide et laissez-la pendant une heure. Vérifiez que le degré de vide n'a pas augmenté. **(Si le degré d'augmentation du vide est supérieur à 130 Pa [0,01886 psi/1,0 Torr], de l'eau pourrait avoir pénétré. Appliquez une pression d'azote sec jusqu'à 0,05 MPa [7,25 psi] et appliquez de nouveau le vide.)** Pour finir, scellez avec le frigorigène liquide à travers le tube de fluide et ajustez la tuyauterie de gaz pour obtenir une quantité appropriée de frigorigène pendant le fonctionnement.

* N'exécutez jamais de purge d'air à l'aide du frigorigène.

- Une fois les tuyaux de réfrigérant raccordés, vérifiez les éventuelles fuites de gaz dans les tuyaux raccordés et l'appareil intérieur. (Voir 5.8. Test d'étanchéité des tuyaux de réfrigérant.)
- Vider les tuyaux de réfrigérant par l'orifice de service des vannes d'arrêt de liquide et de gaz. Puis, ouvrir complètement les vannes d'arrêt (de liquide et de gaz). Cette opération permet le raccordement complet des tuyaux de réfrigérant des appareils intérieur et extérieur.
 - Faire fonctionner l'appareil sans avoir ouvert les vannes d'arrêt risque d'endommager le compresseur et la vanne de commande.
 - Utiliser un détecteur de fuites ou de l'eau savonneuse pour vérifier les éventuelles fuites de gaz aux sections de raccordement des tuyaux de l'appareil extérieur.
 - Ne pas utiliser le réfrigérant de l'appareil pour faire le vide d'air des tuyaux de réfrigérant.
 - Après avoir utilisé les vannes, resserrer leurs capuchons au couple correct : 20 à 25 N·m [14 à 18 ft·lbs] (200 à 250 kgf·cm).
- Si les capuchons sont mal remplacés ou resserrés, une fuite de réfrigérant peut se produire. Veiller également à ne pas endommager l'intérieur des capuchons des vannes car leur étanchéité empêche les fuites de réfrigérant.
- Appliquer un agent d'étanchéité sur les extrémités de l'isolation thermique autour des sections de raccordement des tuyaux afin d'empêcher l'eau de pénétrer dans l'isolation thermique.

Les tuyaux de réfrigérant sont entourés d'une couche de protection.

- Les tuyaux peuvent être entourés, après ou avant avoir été raccordés, d'une couche de protection allant jusqu'à $\varnothing 90$ (3-9/16"). Découper la rondelle défonçable du cache-tuyaux en suivant la rainure et envelopper les tuyaux.

Orifice d'entrée du tuyau

- Appliquer du mastic ou un agent d'étanchéité sur l'entrée des tuyaux pour éviter tout espace. (Si les espaces ne sont pas supprimés, l'appareil risque de fonctionner bruyamment ou d'être endommagé à cause d'une infiltration d'eau et de poussières).

Remarque:

<Triple évacuation>

- Évacuez le système de 4 000 microns par les deux valves de service. Les ensembles de jauge du système ne doivent pas être utilisés pour mesurer le vide. Une jauge micron doit être utilisée en permanence.
 - Cassez le vide avec de l'azote (N2) dans la valve de service de décharge jusqu'à 0 PSIG.
- Évacuez le système de 1 500 microns par la valve d'aspiration.
 - Cassez le vide avec de l'azote (N2) dans la valve de service de décharge jusqu'à 0 PSIG.
- Évacuez le système de 500 microns. Le système doit maintenir le vide à 500 microns pendant au moins 1 heure.
- Exécutez un test d'échauffement pendant au moins 30 minutes.

5.7. Précaution concernant le raccordement du tuyau/ le fonctionnement de la vanne

- Raccorder le tuyau et utiliser la vanne avec précision en respectant le diagramme ci-après.
 - Appliquer un enduit étanche le long de l'isolant pour empêcher l'eau d'infiltrer l'isolant recouvrant les joints du tuyau réfrigérant.
 - Après l'évacuation et la charge de réfrigérant, vérifier que le levier est complètement ouvert. En cas de fonctionnement la vanne fermée, une pression anormale sera transmise au côté haute ou basse pression du circuit réfrigérant, endommageant le compresseur, etc.
 - Déterminer la quantité de charge de réfrigérant supplémentaire (se reporter à la section "5.3. Ajout de réfrigérant") et charger du réfrigérant supplémentaire via l'orifice de service, une fois le raccordement du tuyau terminé.
 - Une fois terminé, serrer correctement l'orifice de service (12 - 15 N·m) [9 - 11 ft·lbs] et le capuchon (20 - 25 N·m) [14 - 18 ft·lbs] pour empêcher une fuite de gaz.
- *1 N·m \approx 10 kgf·cm

Méthode d'ouverture complète de la vanne d'arrêt

La méthode d'ouverture de la vanne d'arrêt varie selon le modèle de l'appareil extérieur. Ouvrir les vannes d'arrêt conformément à la méthode appropriée.

(1) Côté gaz (Fig. 5-8)

- Enlever le capuchon, ramener la poignée vers soi et la tourner d'un quart de tour en sens inverse des aiguilles d'une montre pour ouvrir la vanne.
- Vérifier que la vanne d'arrêt est complètement ouverte, appuyer sur la poignée et tourner le capuchon pour le ramener sur sa position d'origine.

(2) Côté liquide (Fig. 5-9)

- Retirez le bouchon, et tournez la tige de soupape à fond dans le sens antihoraire avec une clé hexagonale de 4 mm [3/16"]. Arrêtez de tourner quand elle frappe la retenue.
- Vérifier que la vanne d'arrêt est complètement ouverte et tourner le capuchon pour le ramener sur sa position d'origine.

5. Installation de la tuyauterie du réfrigérant

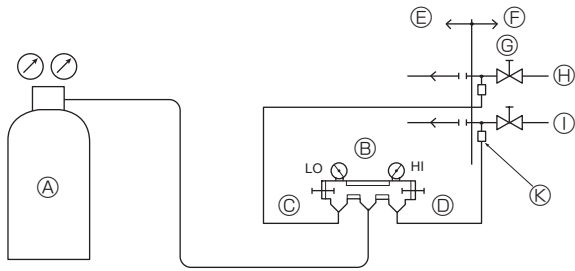


Fig. 5-10

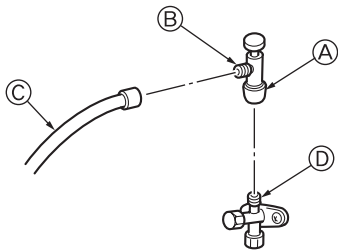
5.8. Test d'étanchéité des tuyaux de réfrigérant

Test d'étanchéité à l'air (Fig. 5-10)

Réaliser le test d'étanchéité à l'air en pressurant de l'azote. Pour le procédé de test, se reporter au schéma suivant.

- (1) Connexion de l'outil de test. Faire un test avec la vanne d'arrêt fermée. S'assurer également de pressuriser le tuyau de liquide ou à haute pression et le tuyau de gaz ou à basse pression.
- (2) Ne pas ajouter en une seule fois de pression à la pression spécifiée mais progressivement.
 - ① Pressuriser jusqu'à 0,5 MPa [73 PSIG], attendre 5 minutes et vérifier que la pression ne diminue pas.
 - ② Pressuriser jusqu'à 1,5 MPa [218 PSIG], attendre 5 minutes et vérifier que la pression ne diminue pas.
 - ③ Pressuriser jusqu'à 4,15 MPa [601 PSIG], puis mesurer la température ambiante et la pression du réfrigérant.
- (3) Si la pression spécifiée se maintient pendant environ une journée sans décroître, les tuyaux ont réussi le test et ne présentent pas de fuite.
 - Si la température ambiante varie de 1°C [1,8°F], la pression varie d'environ 0,01 MPa [1,5 PSIG]. Apporter les corrections nécessaires.
- (4) Si la pression diminue à l'étape (2) ou (3), il y a une fuite de gaz. Rechercher l'origine de la fuite de gaz.

- Ⓐ Azote
- Ⓑ Contrôleur du système
- Ⓒ Bouton bas
- Ⓓ Bouton haut
- Ⓔ Vers le boîtier de dérivation
- Ⓕ Appareil extérieur
- Ⓖ Vanne d'arrêt
- Ⓗ Tuyau de liquide ou tuyau à haute pression
- Ⓘ Tuyau de gaz ou tuyau à basse pression
- Ⓚ Orifice de service



* La figure à gauche n'est représentée qu'à titre d'exemple. La forme de la vanne d'arrêt, la position de l'ouverture de service, etc., peuvent différer selon le modèle.
* Tournez la section A uniquement. (Ne serrez pas davantage les sections A et B l'une contre l'autre.)

- Ⓒ Flexible de charge
- Ⓓ Ouverture de service

Fig. 5-11

Précautions à prendre lors de l'utilisation de la soupape de charge (Fig. 5-11)

Ne serrez pas trop l'ouverture de service au moment de l'installer, car vous pourriez déformer le corps de la soupape et des fuites pourraient se produire.

Après avoir posé la section B dans la direction désirée, tournez la section A uniquement et serrez-la.

Ne serrez pas davantage les sections A et B l'une contre l'autre après avoir serré la section A.

⚠ Avertissement:

- Pendant l'installation de l'appareil, brancher correctement les tuyaux de réfrigérant avant de lancer le compresseur.

6. Mise en place du tuyau d'écoulement

Raccordement du tuyau d'écoulement de l'appareil extérieur

Lorsqu'un tuyau d'écoulement s'avère nécessaire, utiliser la douille de drainage ou la cuvette de drainage (en option).

Douille de drainage	PAC-SG61DS-E
Cuvette de drainage	PAC-SH97DP-E

7. Installations électriques

7.1. Précaution

- ① Respecter les réglementations gouvernementales pour les normes techniques concernant les installations électriques et le câblage et suivre les conseils de la compagnie d'électricité concernée.
- ② Les câbles de commandes (ci-après dénommé la ligne de transmission) seront éloignés (de 5 cm [2 pouce] ou plus) des câbles de la source d'alimentation de sorte à ne pas être influencé par les interférences de l'alimentation. (Ne jamais introduire la ligne de transmission et les câbles d'alimentation dans la même gaine.)
- ③ Toujours effectuer les travaux adéquats de mise à la terre à l'appareil extérieur.
- ④ Laisser une longueur de câble suffisante dans le boîtier des éléments électriques des appareils intérieurs et des appareils extérieurs car le boîtier doit parfois être retiré pour les interventions techniques.
- ⑤ Ne jamais raccorder la source d'alimentation principale au bloc terminal de la ligne de transmission car cela brûlerait les composants électriques.
- ⑥ Utiliser un câble blindé à deux fils comme ligne de transmission. Si les lignes de transmission des différents systèmes devaient être reliées par le même câble à fils multiples, la transmission et la réception seraient mauvaises ce qui conduirait à un fonctionnement erroné des appareils.
- ⑦ Seule la ligne de transmission indiquée doit être reliée au bloc terminal pour la transmission de l'appareil extérieur.
(Ligne de transmission à raccorder à l'appareil intérieur: Bloc terminal TB3 pour la ligne de transmission, Autres: Bloc terminal TB7 pour une commande centralisée)
Une mauvaise connexion empêchera le fonctionnement du système.
- ⑧ En cas de raccordement avec le contrôleur de classe supérieure ou pour obtenir un fonctionnement groupé de plusieurs systèmes de réfrigérant, il est nécessaire de placer une ligne de contrôle de transmission entre chaque appareil extérieur.
Connecter cette ligne de contrôle entre les blocs terminaux pour une commande centralisée. (Ligne à deux câbles non polarisés.)
En cas de raccordement dans différents systèmes de réfrigérant sans passer par le contrôleur de classe supérieure, sur un des appareils extérieurs, débrancher le cavalier du connecteur de court-circuit de CN41 à CN40.
- ⑨ Avant de mettre l'appareil extérieur sous tension, veiller à mettre sous tension les appareils intérieurs et les boîtiers de dérivation.

7. Installations électriques

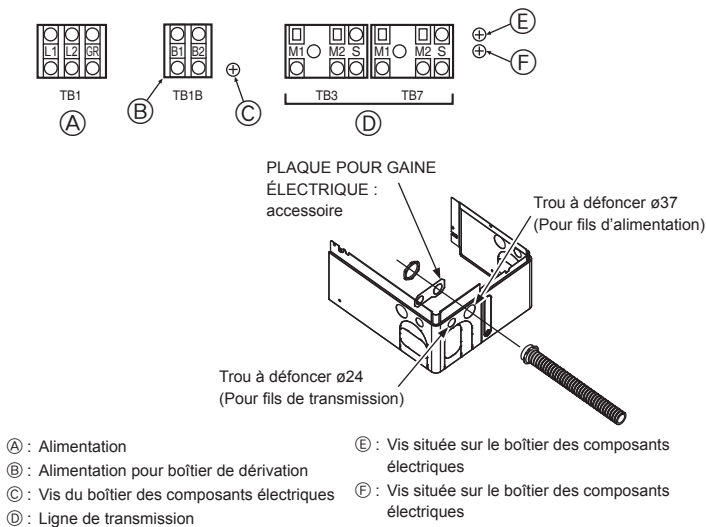


Fig. 7-1

7.2. Boîtier de commande et emplacement pour le raccordement des câbles (Fig. 7-1)

- Raccorder la ligne de transmission du boîtier de dérivation au bloc de sortie de transmission (TB3), ou raccorder le câblage entre les appareils extérieurs ou le câblage du système de commande centralisée au bloc de sortie de la commande centralisée (TB7).
En cas d'utilisation de câblage blindé, raccorder le câble blindé de terre de la ligne de transmission du boîtier de dérivation à la vis (E) ou (F) et raccorder le câble blindé de terre de la ligne entre les appareils extérieurs et la ligne de transmission du système de commande centralisée à la borne blindée (S) du bloc de sortie de la commande centralisée (TB7). De plus, si le connecteur d'alimentation CN41 des appareils extérieurs a été remplacé par le connecteur CN40, la borne du blindage (S) du bloc de sorties (TB7) du système de commande centralisée devrait également être raccordée à la vis (E) ou (F) à l'aide du câble existant.
- Des plaques de montage pour les conduits (ø27) sont fournies. Faites passer le câble d'alimentation et les câbles de transmission par l'orifice à dégager approprié, puis enlevez la pièce superflue de l'orifice situé en bas du bloc de sorties et connectez les fils.
- Attachez le câble d'alimentation au bloc de sorties en utilisant le manchon pour la force de tension (Connexion PG ou similaire).
- Le bornier (TB1B) fournit l'alimentation à la boîte de dérivation (220 ~ 240 V. max. 6A).

⚠ Précaution:

Ne jamais raccorder la ligne de transmission du boîtier de dérivation ou la ligne de transmission du système de contrôle central à ce bornier (TB1B). Si les lignes de transmission y sont raccordées, les blocs de sortie de l'appareil intérieur, du boîtier de dérivation ou du système de commande centralisée pourraient être endommagés.

7.3. Mise en place des câbles de transmission

① Types de câbles de commande

- Mise en place des câbles de transmission
 - Types de câbles de transmission : fil blindé CVVS ou CPEVS ou MVVS
 - Diamètre des câbles: Supérieur à 1,25 mm²
 - Longueur maximum des câbles: 200 m

② Câbles de la télécommande M-NET

Type de câble de télécommande	Fil blindé (à deux âmes) CVVS, CPEVS ou MVVS
Diamètre du câble	0,5 à 1,25 mm ² [AWG20 à AWG16]*
Remarques	Pour une longueur supérieure à 10 m [32 ft], utilisez un câble similaire au câble de la ligne de transmission.

* Raccordé avec télécommande simple.

③ Câbles de la télécommande MA

Type de câble de télécommande	Câble gainé à 2 âmes (non blindé) CVV
Diamètre du câble	0,3 à 1,25 mm ² (0,75 à 1,25 mm ²)*
Remarques	Moins de 200 m

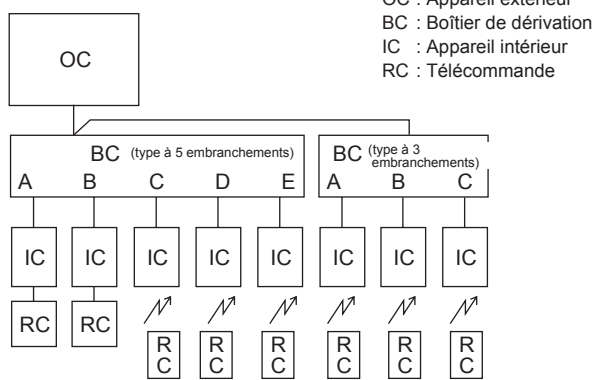
* Raccordé avec télécommande simple.

④ Exemples de câblage

- Nom du contrôleur, symbole et nombre de contrôleurs permis.

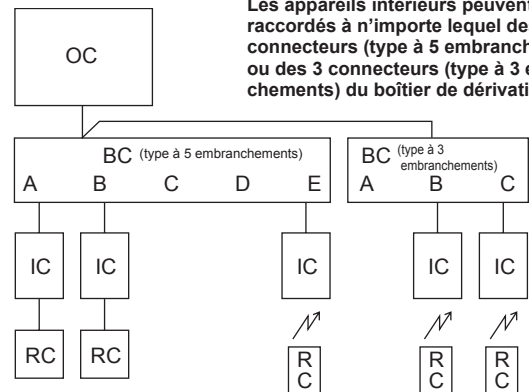
Nom	Symbole	Nombre de contrôleurs permis	
Contrôleur de l'appareil extérieur	OC	-	
Contrôleur de l'appareil intérieur	IC	MXZ-4C36	2 à 4 unités par OC
		MXZ-5C42	2 à 5 unités par OC
		MXZ-8C48	2 à 8 unités par OC
Commande à distance	RC	MA	Maximum 2 par groupe

[1] Systèmes de base



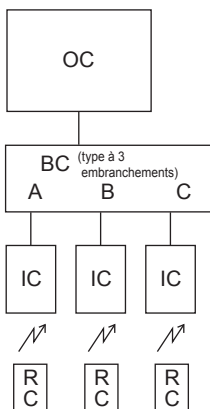
Remarque :

Les appareils intérieurs peuvent être raccordés à n'importe lequel des 5 connecteurs (type à 5 embranchements) ou des 3 connecteurs (type à 3 embranchements) du boîtier de dérivation.

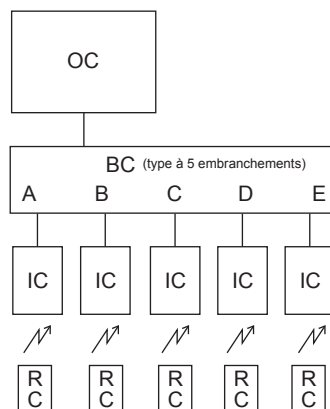


[2] Systèmes standard

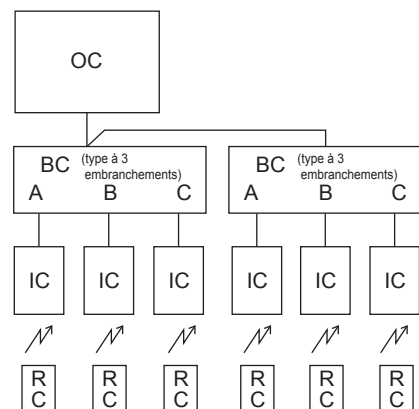
2-1. Type à 3 embranchements uniquement



2-2. Type à 5 embranchements uniquement

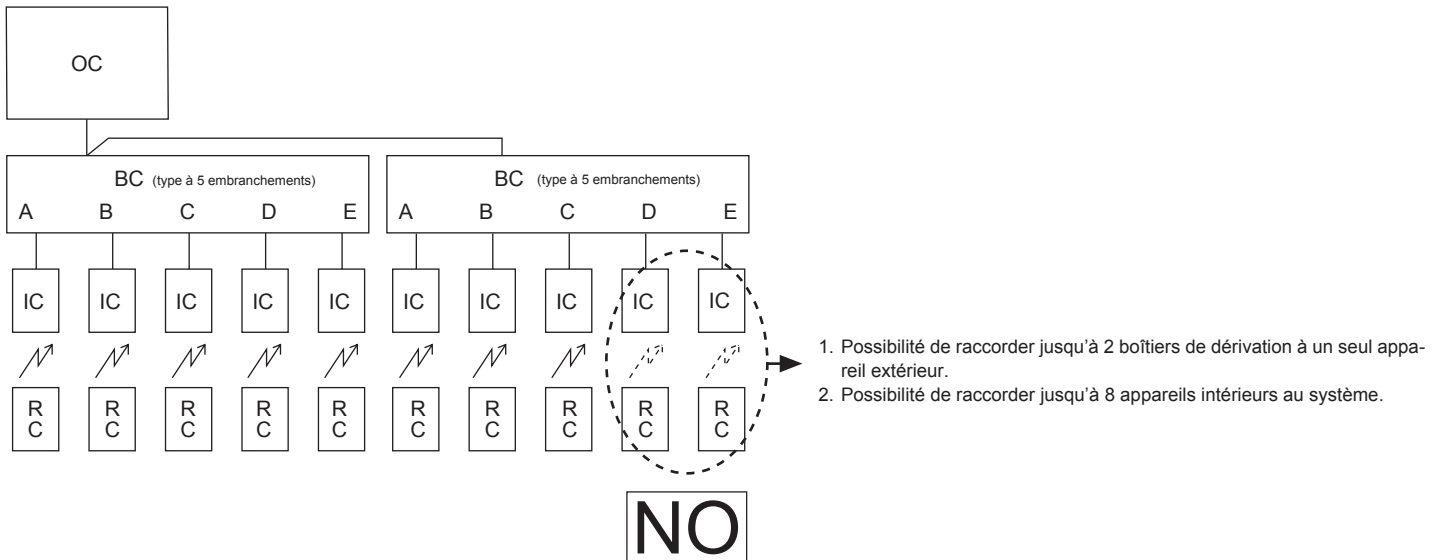


2-3. 2 boîtiers de dérivation (de type à 3 embranchements)



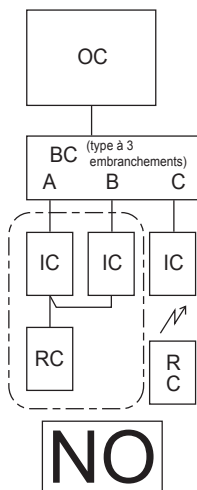
7. Installations électriques

2-4. 2 boîtiers de dérivation (de type à 5 embranchements, 8 appareils intérieurs maximum)

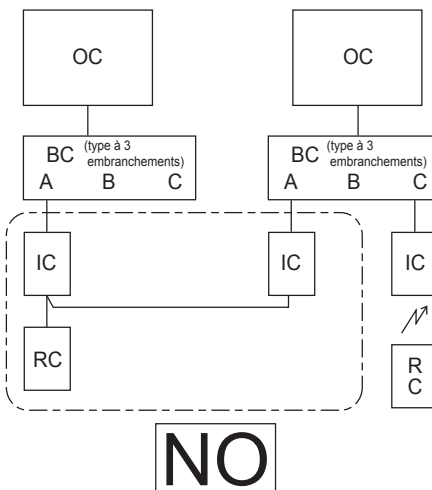


[3] Systèmes incorrects

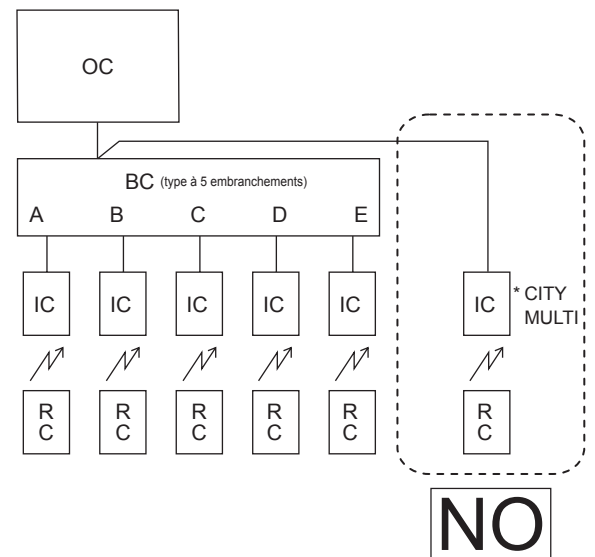
3-1. Fonctionnement groupé au moyen d'une seule télécommande



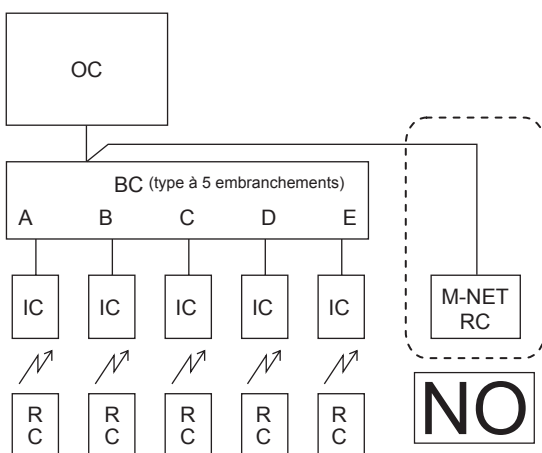
3-2. Fonctionnement groupé entre différents systèmes réfrigérants



3-3. Raccordement d'un adaptateur M-NET à l'appareil extérieur



3-4. Raccordement de la télécommande M-NET



- 3-1. Il est impossible de faire fonctionner plusieurs appareils intérieurs à l'aide d'une seule télécommande.
- 3-2. Il est impossible de raccorder entre eux plusieurs systèmes réfrigérants.
- 3.3. Il est impossible de raccorder des appareils intérieurs de la série CITY MULTI aux boîtiers de dérivation ou à l'appareil extérieur.
- 3.4. Il est impossible de raccorder une télécommande M-NET à ce système.

7. Installations électriques

7.4. Raccordement du boîtier de dérivation/du câblage extérieur et raccordement du cordon d'alimentation extérieur

⚠ Avertissement:

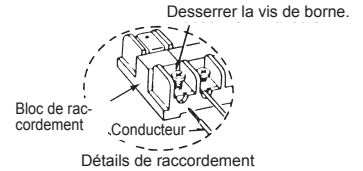
- Veiller à fixer correctement les caches de bloc de raccordement/le panneau de l'appareil extérieur. Dans le cas contraire, il pourrait en résulter un incendie ou une électrocution à cause de la poussière, de l'eau, etc.
- Veiller à relier les cordons d'alimentation et les fils de raccordement des appareils intérieurs, des appareils extérieurs et des boîtiers de dérivation directement sur les appareils (sans raccordement intermédiaire).

Les raccordements intermédiaires peuvent engendrer des erreurs de communication si de l'eau s'infiltre dans les cordons et les fils et provoquent une isolation insuffisante de la mise à la terre ou un mauvais contact électrique au niveau du point de raccordement intermédiaire.

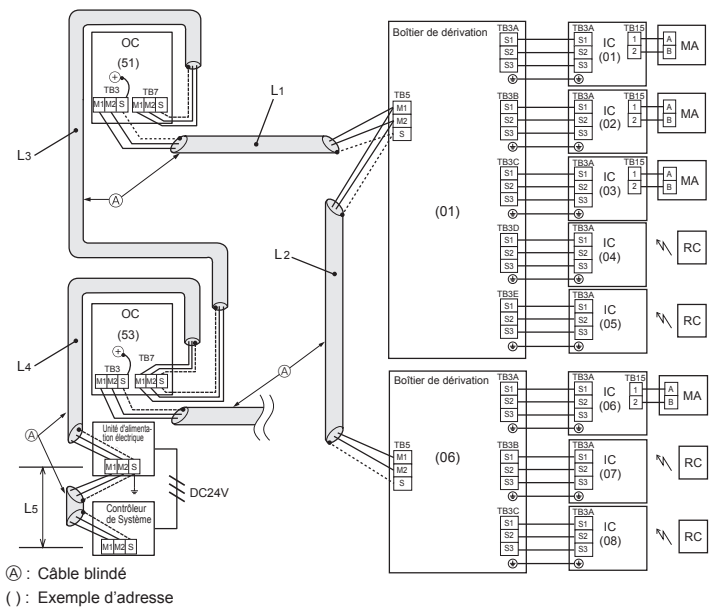
(Si un raccordement intermédiaire est nécessaire, assurez-vous de prendre des mesures pour éviter que de l'eau ne s'infiltre dans les cordons et les câbles.)

⚠ Précaution:

- Veiller à ne pas procéder à de mauvais raccordements.
- Serrer correctement les vis de borne pour qu'elles ne se desserrent pas.
- Le serrage terminé, tirer doucement sur les fils pour vérifier qu'ils ne bougent pas.
- Si le fil de raccordement n'est pas raccordé correctement au bloc de raccordement, l'appareil ne fonctionne pas correctement.



- Raccorder correctement le fil du boîtier de dérivation sur le bloc de raccordement.
- Pour l'entretien ultérieur, fournir une longueur supplémentaire au fil de raccordement.



IMPORTANT

S'assurer que le disjoncteur de fuite de courant est compatible avec les harmoniques les plus élevées.

Veiller à toujours utiliser un disjoncteur de fuite de courant compatible avec les harmoniques les plus élevées car cet appareil est équipé d'un inverseur. L'utilisation d'un disjoncteur inapproprié peut provoquer un dysfonctionnement de l'onduleur.

Longueur maximale via appareils extérieurs :

$$L_1 + L_2 + L_3 + L_4 + L_5 \leq 500 \text{ m (1640 ft.) (1,25 mm}^2 \text{ ou plus)}$$

Longueur maximale du câble de transmission

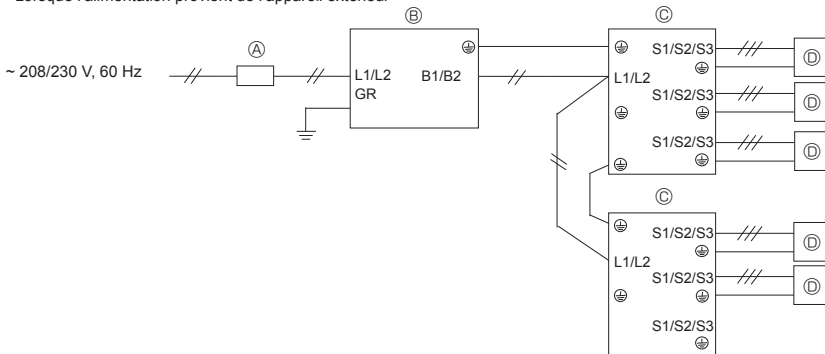
$$L_1 + L_2, L_3, L_3 + L_4, L_5 \leq 200 \text{ m (656 ft.) (1,25 mm}^2 \text{ ou plus)}$$

Fig. 7-2

7.5. Câblage de l'alimentation principale et capacité des équipements

Schéma du câblage (exemple) (Fig. 7-3)

<Lorsque l'alimentation provient de l'appareil extérieur>



- ⓐ Coupe-circuit (pour fuites à la terre)
- ⓑ Appareil extérieur
- ⓒ Boîtier de dérivation
- ⓓ Appareil intérieur
- ⓔ Boîtier de traction

<Lorsque l'alimentation provient d'une source séparée>

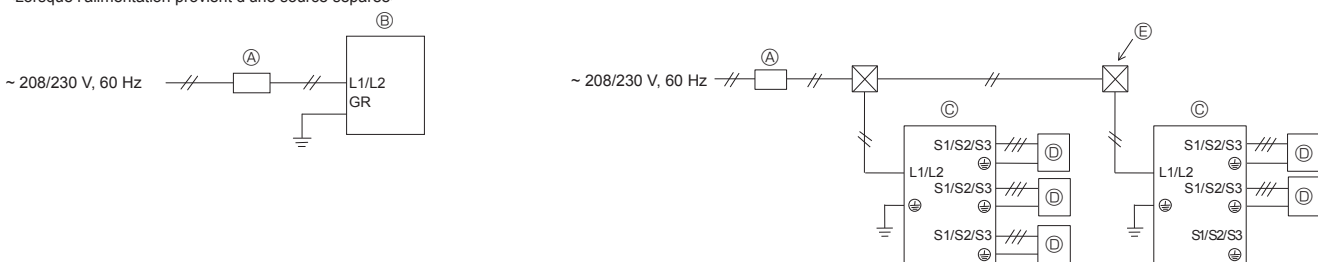


Fig. 7-3

7. Installations électriques

Section des câbles pour l'alimentation principale et capacités On/Off

Modèle	Alimentation	Section minimum des câbles (mm ² [AWG])		Coupe-circuit pour le câblage*1	Coupe-circuit pour les fuites de courant	Courant admissible minimum du circuit	Régime nominal maximum du dispositif de protection de surintensité	
		Câble principal*2	Terre					
Appareil extérieur	4C36/5C52/8C48NAHZ	~ (Monophasé), 60 Hz, 208/230 V	13,3 [AWG6]	13,3 [AWG6]	50 A	50 A 30 mA 0,1 sec ou moins	42 A	52 A
	8C48NA		8,4 [AWG8]	8,4 [AWG8]	40 A	40 A 30 mA 0,1 sec ou moins	37 A	52 A
Appareil intérieur	~ (Monophasé), 60 Hz, 208/230 V	Reportez-vous au manuel d'installation de l'appareil intérieur.						

*1. Utiliser un disjoncteur sans fusible (NF) ou un disjoncteur de fuite à la terre (NV) avec un écartement de 3,0 mm [1/8 pouce] minimum entre les contacts de chaque pôle.

*2. Utiliser des câbles électriques en cuivre. Utiliser des câbles électriques correspondant à une tension de 300 V.

Courant total d'exploitation de l'appareil intérieur	Section minimum des câbles (mm ² /AWG)			Disjoncteur de fuite de terre *1	Commutateur local (A)		Disjoncteur pour câblage (NFB)
	Câble principal	Dérivation	Terre		Capacité	Fusible	
F0 = 15A ou moins *2	2,1/14	2,1/14	2,1/14	Sensibilité au courant 15 A *3	15	15	15
F0 = 20A ou moins *2	3,3/12	3,3/12	3,3/12	Sensibilité au courant 20 A *3	20	20	20
F0 = 30A ou moins *2	5,3/10	5,3/10	5,3/10	Sensibilité au courant 30 A *3	30	30	30

Pour l'impédance maximale permise du système, voir la norme CEI 61000-3-3.

*1 Le disjoncteur de fuite de terre doit prendre en charge le circuit d'inverseur.

Le disjoncteur de fuite de terre doit combiner l'utilisation d'un interrupteur local ou d'un coupe-circuit.

*2 Prendre la valeur la plus haute de F1 ou F2 comme valeur pour F0.

F1 = Courant maximum d'exploitation total des appareils intérieurs × 1,2

F2 = (V1/C)

Appareil intérieur	V1	V2
Type 1 SEZ-KD-NA, PLA-A-BA	19,8	2,4
Type 2 PEAD-A-AA	26,9	
Type 3 MSZ-FE-NA	9,9	
Type 4 MSZ-FH-NA, MSZ-GE-NA	6,8	
Type 5 SLZ-KA-NA	3,5	
Type 6 MFZ-KA-NA	16,2	
Type 7 MVZ-A-AA	26,9	
Type 8 Boîtier de dérivation (PAC-MKA-BC)	5,1	

C : Multiple de courant de déclenchement au temps de déclenchement 0,01 s

Prenez "C" dans les caractéristiques de déclenchement du disjoncteur.

<Exemple de calcul "F2">

*Condition Boîtier de dérivation × 2 + SEZ-KD-A × 5, C = 8 (reportez-vous au diagramme de droite)

F2 = 5,1 × 2/8 + 19,8 × 5/8

= 14,9

*3 La sensibilité de courant est calculée selon la formule suivante.

G1 = V2 + V3 × (Longueur câble [km])

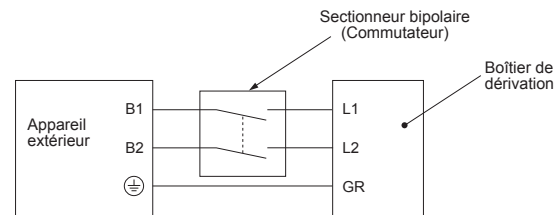
G1	Sensibilité de courant
30 ou moins	30 mA 0,1 sec ou moins
100 ou moins	100 mA 0,1 sec ou moins

Épaisseur câble	V3
1,5 mm ²	48
2,5 mm ²	56
4,0 mm ²	66

- Utiliser une alimentation séparée pour l'appareil extérieur et pour l'appareil intérieur.
- Tenir compte des conditions climatiques (température ambiante, rayons solaires directs, eau pluviale, etc.) lors du câblage et du raccordement des appareils.
- Les dimensions des câbles représentent les dimensions minimales pour le câblage de conduits métalliques. Le cordon d'alimentation doit être une unité plus épais à cause des chutes de tension. Vérifier que la tension de l'alimentation ne diminue pas de plus de 10%.
- En cas de câblages spécifiques, ceux-ci doivent respecter les lois en vigueur dans la région concernée.
- Les cordons d'alimentation électrique des éléments des appareils utilisés à l'extérieur seront au moins aussi lourds que les cordons souples blindés de polychloroprène (conception 60245 IEC57). Vous pouvez notamment utiliser dans ce cas des câbles de type YZW.
- Installer un câble de terre plus long que les autres câbles.

⚠ Avertissement:

- Dans le cas d'un câblage de contrôle A, il est possible que la borne S3 reçoive une tension élevée en raison du schéma du circuit électrique qui ne présente aucune isolation électrique entre le câble d'alimentation et les câbles de signaux de communication. Ainsi, veuillez couper l'alimentation principale pendant l'entretien. Et ne touchez pas aux bornes S1, S2, S3 lorsque le circuit est alimenté. Si un isolateur doit être utilisé entre l'appareil extérieur et le boîtier de dérivation/ l'appareil intérieur et le boîtier de dérivation, veuillez utiliser un isolateur à 3 pôles ou à 2 pôles. (Voir le schéma ci-dessous.)
- Brancher l'alimentation principale lorsque la température ambiante est inférieure à -20 °C (-4 °F).
- À -20 °C (-4 °F) ou en-deçà, l'appareil a besoin d'au moins 4 heures de veille avant de pouvoir fonctionner afin de chauffer les pièces électriques.



⚠ Précaution:

Après avoir utilisé l'isolateur, veillez à couper puis à remettre l'alimentation principale afin de réinitialiser le système. Sinon, l'unité externe pourra ne pas détecter le(s) boîtier(s) de dérivation ou les unités internes.

Assurez-vous de raccorder les câbles des boîtiers de dérivation extérieurs/intérieurs directement aux appareils (sans raccordements intermédiaires).

Des erreurs de communication peuvent se produire en cas de raccordements intermédiaires si de l'eau s'infiltre entre les câbles et cause une mauvaise isolation à la terre ou un contact électrique insuffisant au point de raccordement intermédiaire.



(Si un raccordement intermédiaire est nécessaire, assurez-vous de prendre des mesures pour éviter que de l'eau ne s'infiltre dans les câbles.)

Ne jamais épicer le câble d'alimentation ou le câble de raccordement boîtier de dérivation intérieur-extérieur car cela pourrait provoquer de la fumée, un incendie ou une erreur de communication.

7. Installations électriques

7.6. Réglage des adresses

Réglage de l'adresse du commutateur

Appareil Adresse	Extérieur	Boîtier de dérivation				Intérieur																																																											
		Adresse		Configuration du raccordement																																																													
Commutateur	 SWU2 SWU1	 SW12 SW11	<table border="1"> <tr> <th>Port</th> <th>A</th> <th>B</th> <th>C</th> <th>D</th> <th>E</th> <th>-</th> </tr> <tr> <td>ON</td> <td></td> <td></td> <td></td> <td></td> <td></td> <td></td> </tr> <tr> <td>OFF</td> <td>1</td> <td>2</td> <td>3</td> <td>4</td> <td>5</td> <td>6</td> </tr> </table>		Port	A	B	C	D	E	-	ON							OFF	1	2	3	4	5	6	:ON: Raccordement intérieur :OFF: Pas de raccordement	Aucun																																						
			Port	A	B	C	D	E	-																																																								
ON																																																																	
OFF	1	2	3	4	5	6																																																											
page	51 - 100	1 - 50	SW1		* SW1-6 non utilisé																																																												
réglage	Adresse d'embranchement + 50	<ul style="list-style-type: none"> En fonction de l'adresse définie (par exemple 01), les adresses des appareils intérieurs raccordés sont définies séquentiellement (par exemple 02, 03, 04 et 05). 		<ul style="list-style-type: none"> Indiquer si des appareils intérieurs sont connectés à chaque port (A, B, C, D et E). 		Il n'y a pas de définitions d'adresses pour les appareils intérieurs.																																																											
		<table border="1"> <tr> <th>SW1</th> <th>1</th> <th>2</th> <th>3</th> <th>4</th> <th>5</th> <th></th> </tr> <tr> <td></td> <td>ON</td> <td>ON</td> <td>ON</td> <td>ON</td> <td>ON</td> <td></td> </tr> <tr> <th>Port</th> <th>A</th> <th>B</th> <th>C</th> <th>D</th> <th>E</th> <th></th> </tr> <tr> <td>Adresse</td> <td>01</td> <td></td> <td></td> <td></td> <td></td> <td>(SW11, 12)</td> </tr> <tr> <td></td> <td></td> <td>02</td> <td>03</td> <td>04</td> <td>05</td> <td>(numéros séquentiels)</td> </tr> </table>	SW1	1	2		3	4	5			ON	ON	ON	ON	ON		Port	A	B	C	D	E		Adresse	01					(SW11, 12)			02	03	04	05	(numéros séquentiels)	<table border="1"> <tr> <th>SW1</th> <th>1</th> <th>2</th> <th>3</th> <th>4</th> <th>5</th> <th>(6)</th> </tr> <tr> <td></td> <td></td> <td></td> <td></td> <td></td> <td></td> <td></td> </tr> <tr> <th>Port</th> <th>A</th> <th>B</th> <th>C</th> <th>D</th> <th>E</th> <th>(non utilisé)</th> </tr> <tr> <td></td> <td></td> <td></td> <td></td> <td></td> <td></td> <td></td> </tr> </table>	SW1	1	2	3	4	5	(6)								Port	A	B	C	D	E	(non utilisé)					
SW1	1	2	3	4	5																																																												
	ON	ON	ON	ON	ON																																																												
Port	A	B	C	D	E																																																												
Adresse	01					(SW11, 12)																																																											
		02	03	04	05	(numéros séquentiels)																																																											
SW1	1	2	3	4	5	(6)																																																											
Port	A	B	C	D	E	(non utilisé)																																																											

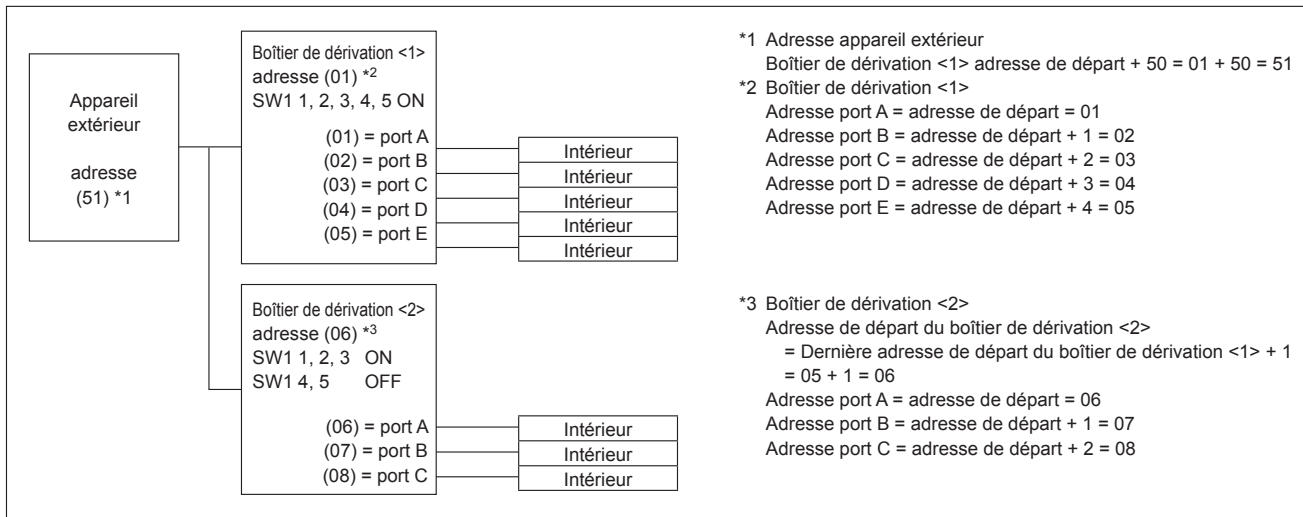
Remarque : 1. Adresse du boîtier de dérivation

Lors de la définition de l'adresse, utiliser un nombre dans la plage 1-50.

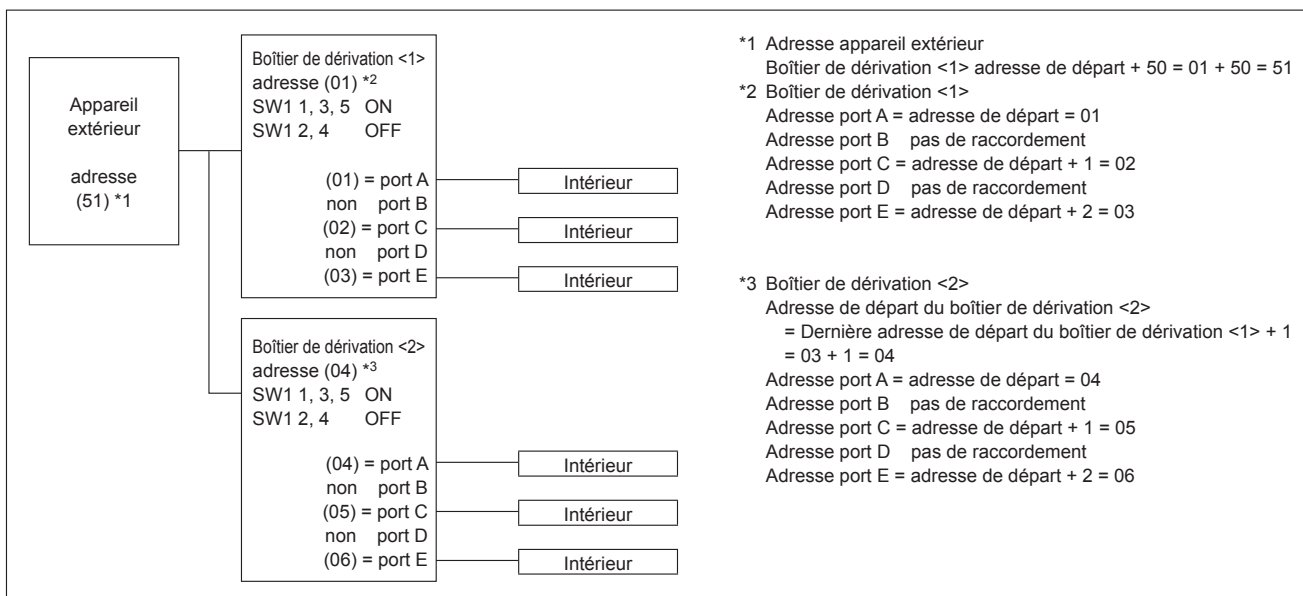
Ex. L'adresse définie est (47) et il y a 5 appareils intérieurs (A, B, C, D et E).

Si A : (47), B : (48), C : (49), D : (50) et E : (51), E est incorrect parce qu'il dépasse 50.

Ex1. Extérieur + Embranchement <1> (Intérieur A, B, C, D, E) + Embranchement <2> (Intérieur A, B, C)



Ex2. Extérieur + embranchement <1> (Intérieur A, C, E) + Embranchement <2> (Intérieur A, C, E)



8. Marche d'essai

8.1. Avant la marche d'essai

- ▶ Lorsque l'installation, le tuyautage et le câblage des appareils intérieur et extérieur sont terminés, vérifier l'absence de fuites de réfrigérant, la fixation des câbles d'alimentation et de commande, l'absence d'erreur de polarité et contrôler qu'aucune phase de l'alimentation n'est déconnectée.
- ▶ Utiliser un appareil de contrôle des M-ohm de 500 volts pour vérifier que la résistance entre les bornes d'alimentation et la mise à la terre est d'au moins 1 MΩ.
- ▶ Ne pas effectuer ce test sur les terminaux des câbles de contrôle (circuit à basse tension).

⚠ Avertissement:

Ne pas utiliser le climatiseur si la résistance de l'isolation est inférieure à 1 MΩ.

Résistance de l'isolation

Après l'installation ou après la coupure prolongée de la source d'alimentation, la résistance de l'isolation chutera en deçà de 1 MΩ en raison de l'accumulation de réfrigérant dans le compresseur. Il ne s'agit pas d'un dysfonctionnement. Respectez les procédures suivantes.

1. Retirer les câbles du compresseur et mesurer la résistance de l'isolation du compresseur.
2. Si la résistance de l'isolation est inférieure à 1 MΩ, le compresseur est défectueux et du réfrigérant s'est accumulé dans le compresseur.
3. Après avoir connecté les câbles au compresseur, celui-ci commence à chauffer dès qu'il est sous tension. Après avoir mis sous tension le compresseur pendant les durées indiquées ci-dessous, mesurer de nouveau la résistance de l'isolation.

- La résistance de l'isolation chute en raison de l'accumulation de réfrigérant dans le compresseur. La résistance dépassera 1 MΩ après que le compresseur a chauffé pendant 4 heures. (Le temps mis par le compresseur pour chauffer varie selon les conditions atmosphériques et l'accumulation de réfrigérant).
 - Pour faire fonctionner le compresseur dans lequel s'est accumulé du réfrigérant, il est nécessaire de le faire chauffer pendant au moins 12 heures afin d'éviter toute défaillance.
4. Si la résistance de l'isolation dépasse 1 MΩ, le compresseur n'est pas défectueux.

⚠ Précaution:

Le compresseur fonctionnera uniquement si les connexions des phases de l'alimentation électrique sont correctes.

Mettez l'appareil sous tension au moins 12 heures avant de le faire fonctionner.

- La mise en marche de l'appareil immédiatement après sa mise sous tension pourrait provoquer de sérieux dégâts aux éléments internes. Ne mettez pas l'appareil hors tension pendant la saison de fonctionnement.

▶ Les points suivants doivent être contrôlés également.

- L'appareil extérieur n'est pas défectueux. Le témoin sur la carte de commandes de l'appareil extérieur clignote lorsque celui-ci est défectueux.
- Les vannes d'arrêt de liquide et de gaz sont complètement ouvertes.

8.2. Marche d'essai

8.2.1. Utilisation de la télécommande

Se reporter au manuel d'installation de l'appareil intérieur.

- Veiller à effectuer un essai pour chaque appareil intérieur. Vérifier que chaque appareil intérieur fonctionne correctement et conformément aux instructions du manuel d'installation fourni avec l'appareil.
- Si l'essai est réalisé simultanément pour tous les appareils intérieurs, il est impossible de détecter les mauvais raccordements, le cas échéant, des tuyaux de réfrigérant et des fils de raccordement.
- * Il faut attendre au moins 3 minutes après la mise sous tension du compresseur pour que ce dernier soit opérationnel.
- Le compresseur peut émettre un son juste après sa mise sous tension ou si la température de l'air extérieur est basse.

A propos du mécanisme de protection de redémarrage

À l'arrêt du compresseur, le dispositif préventif de redémarrage s'active de sorte que le compresseur ne sera pas opérationnel pendant 3 minutes, afin de protéger le climatiseur.

8.2.2. Utilisation de SW3 dans l'appareil intérieur

Remarque:

Si l'essai est réalisé à partir de l'appareil extérieur, tous les appareils intérieurs fonctionnent. Il est donc impossible de détecter les mauvais raccordements des tuyaux de réfrigérant et des fils de raccordement. Si l'objectif de cet essai est de détecter les mauvais raccordements, veiller à exécuter l'essai au moyen de la télécommande. Pour ce faire, se reporter à la section "8.2.1 Utilisation de la télécommande".

SW3-1	ON	Fonctionnement du rafraîchissement
SW3-2	OFF	
SW3-1	ON	Fonctionnement du chauffage
SW3-2	ON	

- * Après avoir effectué l'essai de fonctionnement, placer SW 3-1 sur OFF.
- Quelques secondes après le démarrage du compresseur, un bruit métallique provenant de l'intérieur de l'appareil extérieur peut retentir. Le bruit provient de la valve de contrôle et s'explique par une différence de pression minimale dans les tuyaux. L'appareil n'est pas défectueux.

Le mode d'essai ne peut pas être modifié via le commutateur DIP SW3-2 lors de la marche d'essai. (Pour ce faire, arrêter l'essai via le commutateur DIP SW3-1. Une fois le mode modifié, reprendre l'essai via le commutateur SW3-1.)

8.3. Récupération du réfrigérant (Aspiration)

Effectuer les procédures suivantes pour récupérer le réfrigérant en cas de déplacement de l'appareil intérieur ou de l'appareil extérieur.

- ① Couper le disjoncteur.
- ② Raccorder le côté basse pression du collecteur à jauge à l'ouverture de service du robinet d'arrêt du gaz.
- ③ Fermer le robinet d'arrêt du liquide.
- ④ Rétablir le courant (disjoncteur).
 - * Le démarrage de la communication interne-externe prend environ 3 minutes après la mise sous tension (coupe-circuit). Démarrer la purge 3 à 4 minutes après la mise sous tension (coupe-circuit).
- ⑤ Vérifier que SW3-2 est sur OFF, puis placer SW3-1 sur ON pour exécuter l'essai de fonctionnement en mode de refroidissement. Le compresseur (appareil extérieur) et les ventilateurs (appareils intérieurs et extérieurs) démarrent et l'essai de refroidissement commence. Immédiatement après avoir exécuté le test de fonctionnement en mode de refroidissement, basculer le commutateur SW2-4 (commutateur de purge) de l'appareil extérieur de OFF à ON.
 - * Ne pas faire fonctionner l'appareil longtemps lorsque le commutateur SW2-4 est activé (ON). Veiller à désactiver le commutateur (OFF) une fois la purge terminée.

- ⑥ Fermer complètement le robinet d'arrêt du gaz lorsque le manomètre indique 7,1 - 0,0 PSIG (environ 0,5 - 0,0 kgf/cm²)
- ⑦ Placer SW3-1 sur OFF pour arrêter le climatiseur. (Basculer le commutateur SW2-4 de ON à OFF.)
- ⑧ Couper le courant (disjoncteur).
 - * Si une trop grande quantité de réfrigérant a été ajoutée au système de climatisation, il est possible que la pression ne puisse pas baisser jusqu'à 7,1 PSIG (0,5 kgf/cm²). Dans ce cas, utiliser un dispositif de collecte du réfrigérant pour recueillir la totalité du réfrigérant du système, puis recharger la quantité de réfrigérant correcte dans le système après avoir déplacé les appareils intérieurs et extérieurs.

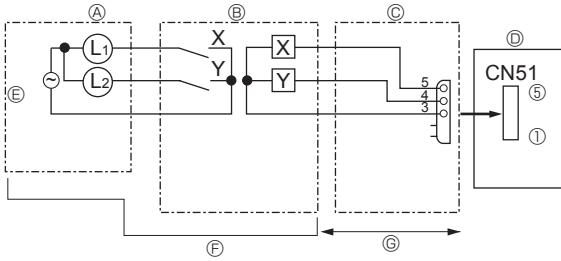
⚠ Avertissement:

Pendant la purge du réfrigérant, arrêter le compresseur avant de débrancher les tuyaux de réfrigérant. Le compresseur risque d'éclater et de provoquer des blessures si une substance étrangère, comme de l'air, pénètre dans le système.

9. Fonctions spéciales

9.1. CONNECTEUR D'ENTRÉE/SORTIE DE L'APPAREIL EXTÉRIEUR

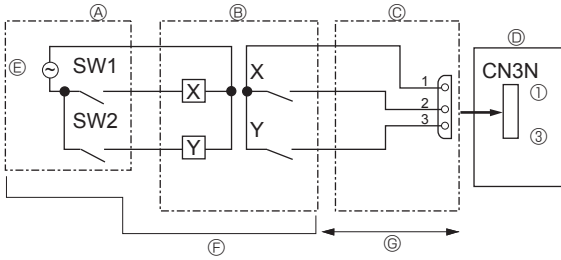
• État (CN51)



- Ⓐ Panneau de commande déporté
- Ⓑ Circuit de relais
- Ⓒ Régulateur de sortie externe (PAC-SA88HA-E)
- Ⓓ Carte de commande de l'appareil extérieur
- Ⓔ Alimentation du témoin
- Ⓕ A acheter auprès d'un revendeur local
- Ⓖ 10 m maximum

L1: Erreur d'affichage du témoin
 L2: Témoin de fonctionnement du compresseur
 X, Y: Relais (Bobine standard de 0,9 W ou moins pour 12 V CC)
 X, Y: Relais (DC 1 mA)

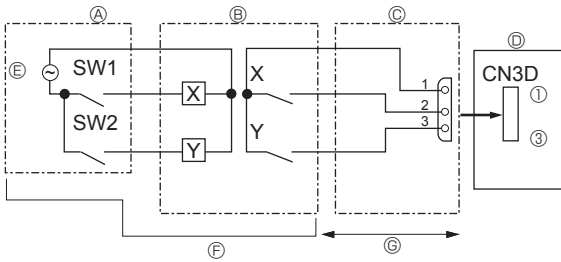
• Changement automatique (CN3N)



- Ⓐ Tableau de contrôle à distance
- Ⓑ Circuit de relais
- Ⓒ Régulateur de sortie externe (PAC-SC36NA-E)
- Ⓓ Carte de commande de l'appareil extérieur
- Ⓔ Alimentation du témoin
- Ⓕ A acheter auprès d'un revendeur local
- Ⓖ 10 m maximum

	ON	OFF
SW1	Chauffage	Refroidissement
SW2	Validité de SW1	Validité de SW1

• Mode silencieux / Contrôle de la demande (CN3D)



- Ⓐ Tableau de contrôle à distance
- Ⓑ Circuit de relais
- Ⓒ Régulateur de sortie externe (PAC-SC36NA-E)
- Ⓓ Carte de commande de l'appareil extérieur
- Ⓔ Alimentation du témoin
- Ⓕ A acheter auprès d'un revendeur local
- Ⓖ 10 m maximum

La sélection du mode silencieux et du contrôle de la demande se fait par commutation du commutateur DIP 9-2 du panneau de commande extérieur.

Les consommations électriques suivantes (par rapport aux valeurs nominales) peuvent être définies à l'aide de SW1, 2.

	DIP SW9-2 du panneau de commande extérieur	SW1	SW2	Fonctionnement
Mode silencieux	OFF	ON	-	Fonctionnement en mode silencieux
Contrôle de la demande	ON	OFF	OFF	100 % (Normal)
		ON	OFF	75 %
		ON	ON	50 %
		OFF	ON	0 % (Arrêt)

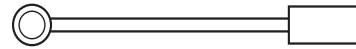
Contenido

1. Medidas de Seguridad	34
2. Diagrama & componentes de instalación	35
3. Lugar de instalación	36
4. Instalación de la unidad exterior	38
5. Instalación de los tubos del refrigerante	38

6. Tubería de drenaje	42
7. Trabajo eléctrico	42
8. Prueba de funcionamiento	48
9. Funciones especiales	49

Confirmación de las piezas incluidas

Además del presente manual, se suministran las siguientes piezas con la unidad exterior. Estas piezas se utilizan para cablear a tierra los terminales S de los bloques del terminal de transmisión TB3 y TB7. Para obtener más información, consulte apartado "7. Trabajo eléctrico".



Cableado a tierra (x 2)

1. Medidas de Seguridad

- ▶ Antes de instalar la unidad, asegúrese de haber leído el capítulo de "Medidas de seguridad".
- ▶ Antes de conectar el sistema, informe al servicio de suministro o pídale permiso para efectuar la conexión.

⚠ Atención:

Describe las precauciones que deben tenerse en cuenta para evitar el riesgo de lesiones o muerte del usuario.

⚠ Cuidado:

Describe las precauciones que deben tenerse en cuenta para evitar daños en la unidad.

⚠ Atención:

- El usuario no debe instalar la unidad. La instalación del aire acondicionado debe correr a cargo del distribuidor o técnico autorizado. La instalación incorrecta de la unidad puede provocar escapes de agua, descargas eléctricas o incendios.
- Para la instalación, siga las instrucciones del Manual de instalación y utilice las herramientas y piezas de fontanería específicamente diseñados para utilizar con el refrigerante R410A.
- El refrigerante R410A en el sistema de HFC puede asimilar una presión 1,6 veces superior a la de los refrigerantes convencionales. Si los accesorios de fontanería que se instalan no están fabricados para el refrigerante R410A, los tubos se pueden quemar y causar daños o lesiones. Además, pueden producirse escapes de agua, descargas eléctricas o incendios.
- La unidad debe instalarse según las instrucciones para reducir posibles daños en caso de terremoto, huracán o vientos fuertes. Si no se instala correctamente, la unidad podría caerse y provocar daños o lesiones.
- La unidad debe instalarse firmemente sobre una estructura capaz de soportar su peso. Si la unidad se instala sobre una estructura inestable, podría caerse y provocar daños o lesiones.
- Si el equipo de aire acondicionado se instala en una sala pequeña deberán tomarse medidas para prevenir que la concentración de refrigerante exceda los límites de seguridad en caso de fugas. Pregunte a un distribuidor por las medidas adecuadas para evitar que la concentración exceda los límites. Si se produce una fuga de refrigerante que sobrepase los límites de concentración, la estancia en la sala puede ser peligrosa por falta de oxígeno.
- Si se produce una fuga de refrigerante durante el funcionamiento, ventile la sala. Si el refrigerante entra en contacto con una llama, se desprenderán gases nocivos.
- Todas las conexiones eléctricas deberán ser realizadas por un técnico cualificado según la normativa local y las instrucciones de este manual. Cada unidad debe tener su línea eléctrica y se deben usar disyuntores y un voltaje correcto. El uso de líneas eléctricas con una capacidad insuficiente o una conexión eléctrica incorrecta puede provocar descargas eléctricas o incendios.
- Asegúrese de conectar los cables de alimentación y los cables de conexión a las unidades interiores, unidades exteriores y a las cajas de derivación directamente con las unidades (sin ninguna conexión intermedia). Las conexiones intermedias pueden producir errores de comunicación en caso de que el agua moje los cordones o los cables de conexión y, por consiguiente, la toma a tierra sea insuficiente, así como el contacto eléctrico en el punto de conexión intermedio. (Si fuera necesaria una conexión

Después de terminar la instalación, explique las "Medidas de Seguridad", funcionamiento y mantenimiento de la unidad al cliente según el Manual de instrucciones y realice una prueba para asegurarse de que funciona correctamente. Entregue una copia del Manual de instalación y del Manual de instrucciones al usuario. Estos manuales deben pasar a usuarios posteriores del equipo.



: Indica una pieza que debe estar conectada a tierra.

⚠ Atención:

Lea atentamente las etiquetas adheridas a la unidad principal.

- intermedia, asegúrese de tomar las precauciones oportunas para evitar que el agua moje los cordones y cables de conexión).
- Utilice tubos de cobre fosforoso del tipo C1220 y tubos de aleación de cobre sin costuras para conectar los tubos del refrigerante. Si los tubos no se conectan correctamente, la unidad no estará bien puesta a tierra y puede provocar descargas eléctricas.
- Utilice solo cables especificados para el cableado. Las conexiones del cableado se deben realizar con seguridad sin que se ejerza tensión en las conexiones de los terminales. Asimismo, no empalme nunca los cables al realizar el cableado (a menos que se indique lo contrario en este documento). El hecho de no seguir estas instrucciones puede provocar un sobrecalentamiento o un incendio.
- La cubierta del bloque de terminales de la unidad exterior tiene que estar bien sujeta. Si la cubierta no se instala correctamente y el polvo y la humedad entran en la unidad, se pueden producir una descarga eléctrica o un incendio.
- Cuando instale, mueva o revise el equipo de la unidad exterior, utilice solo el refrigerante indicado (R410A) para cargar los tubos del refrigerante. No lo mezcle con otro tipo de refrigerante y vacíe completamente de aire los tubos. Si el aire se mezcla con el refrigerante, podría producir una tensión anormalmente alta en el tubo del refrigerante y ocasionar una explosión u otros peligros. Usar un refrigerante distinto al indicado para el sistema provocará un fallo mecánico, un funcionamiento defectuoso del sistema o la avería de la unidad. En el peor de los casos, podría suponer un grave impedimento para garantizar la seguridad del producto.
- Utilice sólo accesorios autorizados por Mitsubishi Electric y pida a su distribuidor o a un técnico autorizado que se los instale. Si los accesorios no se instalan correctamente, pueden producirse escapes de agua, descargas eléctricas o incendios.
- No modifique la unidad. Para las reparaciones, acuda a su distribuidor. Si las modificaciones o las reparaciones no se realizan correctamente, pueden producirse escapes de agua, descargas eléctricas o incendios.
- El usuario nunca debe intentar reparar la unidad o moverla de sitio. Si la unidad no se instala correctamente, pueden producirse escapes de agua, descargas eléctricas o incendios. Si debe reparar o mover el equipo de aire acondicionado, acuda a su distribuidor o técnico autorizado.
- Tras haber realizado la instalación, compruebe si hay fugas de refrigerante. Si en caso de fuga el refrigerante entra en contacto con las llamas de un calentador o de un equipo de cocina portátil, se desprenderán gases nocivos.

1.1. Cuestiones previas a la instalación

⚠ Cuidado:

- No utilice la unidad en un ambiente enrarecido. Este aire acondicionado no se puede instalar en áreas expuestas a vapor, aceite esencial (incluyendo el aceite para máquinas) o al humo sulfúrico, ni en áreas con alto contenido en sal, como playas, o en zonas donde la nieve pueda cubrir la unidad, ya que pueden reducir significativamente su rendimiento y dañar las piezas internas.
- No instale la unidad donde se puedan verter, producir, circular o acumular gases inflamables. Si se acumula gas inflamable en zonas próximas a la unidad, se podría producir un incendio o una explosión.

- La unidad exterior produce condensación cuando funciona como calefacción. Asegúrese de habilitar drenaje alrededor de la unidad exterior si la condensación puede provocar daños.
- Si instala la unidad en un hospital o en un centro de comunicaciones, recuerde que la unidad produce ruidos e interferencias electrónicas. Los conmutadores, aparatos domésticos, equipos médicos de alta frecuencia y las comunicaciones de radio pueden provocar un mal funcionamiento o la avería del equipo de aire acondicionado. El equipo de aire acondicionado también puede afectar los equipos médicos e interrumpir los cuidados médicos, así como los equipos de comunicación y dañar la calidad de la pantalla.

1.2. Cuestiones previas a la instalación (reubicación)

⚠ Cuidado:

- Tenga mucho cuidado cuando mueva las unidades. Se necesitan dos o más personas para llevar la unidad porque pesa 20 kg, 44 lbs o más. Utilice guantes protectores para sacar la unidad de la caja y para moverla, ya que se podría lastimar las manos con las aletas o con los bordes de alguna de las piezas.
- Guarde los embalajes en un lugar seguro. Los materiales de embalaje, como tal o de madera pueden producir pinchazos y otras lesiones.

- La base y los aditamentos de fijación de la unidad exterior deben comprobarse periódicamente para detectar posibles roturas, tuercas flojas o cualquier otro daño que hayan podido sufrir. Si no se solucionan esos problemas, la unidad podría caerse y causar daños o lesiones.
- No limpie con agua el equipo de aire acondicionado. Puede sufrir una descarga eléctrica.
- Apriete las tuercas de abocardado a los niveles recomendados mediante una llave dinamométrica. Si las aprieta demasiado, se pueden romper al cabo de un tiempo y producirse fugas de refrigerante.

1. Medidas de Seguridad

1.3. Antes de la instalación eléctrica

⚠ Cuidado:

- Asegúrese de instalar disyuntores. Si no se instalan, se podrían producir descargas eléctricas.

IMPORTANTE

Asegúrese de que el disyuntor de corriente sea compatible con corrientes armónicas más altas. Utilice siempre un disyuntor de corriente compatible con corrientes armónicas más altas ya que esta unidad está equipada con un conmutador. El uso de un disyuntor inadecuado puede hacer que el conmutador no funcione correctamente.

- Use cables estándar de suficiente capacidad para las líneas eléctricas. Si no lo hace así, se podría producir un cortocircuito, un sobrecalentamiento o un incendio.

1.4. Antes de realizar las pruebas de funcionamiento

⚠ Cuidado:

- Conecte la corriente al menos 12 horas antes de que empiece a funcionar el equipo. Si se acciona inmediatamente después de haberlo conectado a la corriente, pueden producirse daños graves en las piezas internas. Mantenga la unidad conectada a la corriente durante la temporada de funcionamiento.
- Antes de que comience a funcionar el equipo, compruebe que todos los paneles y protectores están instalados correctamente. Las piezas giratorias, calientes o de alto voltaje pueden provocar lesiones.
- No toque ningún interruptor con las manos mojadas. Puede sufrir una descarga eléctrica.

1.5. Utilización del refrigerante R410A para equipos de aire acondicionado

⚠ Cuidado

- Utilice tubos de cobre fosforoso del tipo C1220 y tubos de aleación de cobre sin costuras para conectar los tubos del refrigerante. Asegúrese de que el interior de las tuberías está limpio y que no contienen ningún contaminante dañino como compuestos sulfúricos, oxidantes, impurezas o polvo. Utilice tuberías con el grosor especificado. (Consulte la página 38) Tenga en cuenta lo siguiente si reutiliza tuberías que contenían refrigerante R22.
- Sustituya las tuercas de abocardado existentes y vuelva a abocardar las secciones abocardadas.
- No use tuberías de poco grosor. (Consulte la página 38)
- Almacene las tuberías que se deban instalar en el interior y mantenga los orificios tapados hasta el momento de instalarlas. (Deje las juntas articuladas y otras piezas en sus embalajes.) Si el polvo, los restos o la humedad entran en las tuberías de refrigeración, se puede producir el deterioro del aceite o una avería en el aparato.
- Utilice aceite de éster, de éter o alquilobenceno (en pequeñas cantidades) para recubrir las secciones abocardadas. Si se mezcla aceite mineral con aceite de refrigeración se puede deteriorar el aceite.

- Cuando instale las líneas eléctricas, los cables no deben tener corriente. Si las conexiones se aflojan, los cables se podrían cruzar o romper y se podría producir un incendio o un sobrecalentamiento.
- Asegúrese de instalar una toma de tierra. No conecte el cable de tierra a las tomas de tierra de las tuberías de gas o de agua, de postes de iluminación o de teléfono. Si la unidad no está bien conectada a la línea de tierra, se puede producir una descarga eléctrica.
- Utilice disyuntores (interruptor de falta de tierra, interruptor aislante (+fusible B) e interruptores en caja moldeada) con la potencia especificada. Si la potencia del interruptor es mayor que la especificada, puede ocurrir un incendio o una avería.

- No toque la tubería del refrigerante sin guantes mientras durante el funcionamiento. La tubería del refrigerante está caliente o frío según las condiciones de la corriente de refrigerante. Si toca la tubería puede sufrir quemaduras por el calor o por el frío.
- Una vez deje de funcionar el aparato, espere 5 minutos antes de apagar el interruptor principal. De lo contrario, se puede producir un goteo de agua o una avería.

- No utilice otro refrigerante que no sea R410A. Si utiliza otro refrigerante, el cloro provocará el deterioro del aceite.
- Utilice las siguientes herramientas especialmente diseñadas para usar con el refrigerante R410A. Se necesitan las siguientes herramientas para utilizar el refrigerante R410A. Si tiene alguna duda, consulte con su distribuidor más cercano.

Herramientas (para R410A)	
Manómetro	Abocardador
Manguera de carga	Ajustador del tamaño
Detector de fugas de gas	Adaptador de la bomba de vacío
Llave dinométrica	Báscula electrónica de carga del refrigerante

- Asegúrese de utilizar las herramientas adecuadas. Si el polvo, los restos o la humedad entran en las tuberías de refrigeración, se puede producir el deterioro del aceite de refrigeración.
- No utilice un cilindro de carga. Si utiliza un cilindro de carga, variará la composición del refrigerante y no será tan eficaz.

2. Diagrama & componentes de instalación

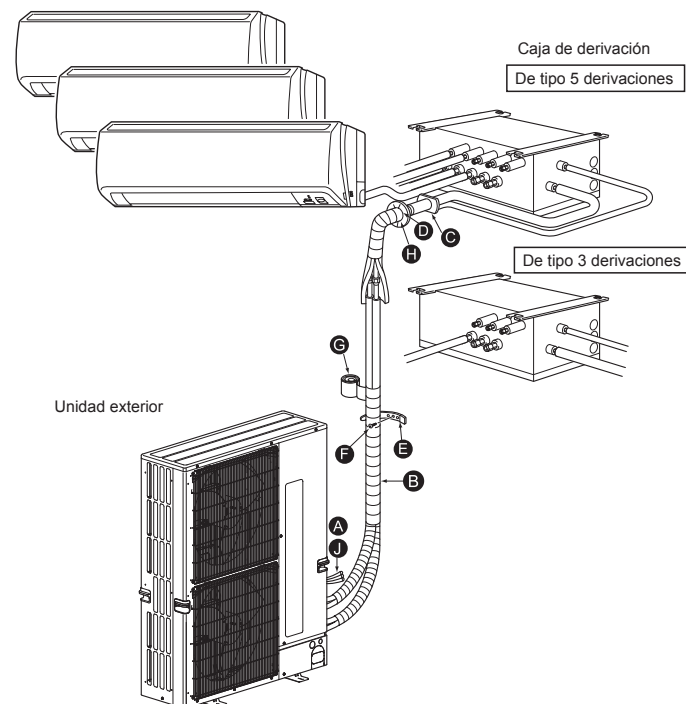


Fig. 2-1

2.1. Cuestiones previas a la instalación (Fig. 2-1)

El presente manual de instalación sirve sólo para la instalación de la unidad exterior. Para instalar las unidades interiores y la caja de derivación, consulte el manual de instalación que se suministra con cada unidad.

Cualquier cambio estructural que se requiera para la instalación debe cumplir con la normativa local en materia de construcción.

La finalidad del presente diagrama es mostrar la configuración de los accesorios. Para la instalación real, hay que girar la unidad exterior 180°.

Las unidades las deberá instalar el contratista autorizado conforme a la normativa local.

Nota:

Se deberán respetar las dimensiones que marcan las flechas del diagrama para garantizar el rendimiento del aparato. Instale la unidad en un lugar lo más amplio posible para permitir posteriormente el mantenimiento o las reparaciones.

Piezas a obtener localmente

A	Cable de conexión de la caja de derivación/unidad exterior (de 3 almas)	1
B	Tubo de extensión	1
C	Manguito del orificio de la pared	1
D	Tapadera del orificio de la pared	1
E	Cinta de fijación de tubos (La cantidad depende de la longitud del tubo).	de 2 a 7
F	Tornillo de sujeción para $\varnothing 4 \times 20$ mm (13/16") (La cantidad depende de la longitud del tubo).	de 2 a 7
G	Cinta de tubos	1
H	Masilla de minio	1
I	Aceite de refrigeración	1
J	Cable del interruptor (de 2 almas, consulte 7.3. Tendido de cables de transmisión)	1

3. Lugar de instalación

3.1. Tubería de refrigerante

Consulte la sección 5.2. Longitud de los tubos y diferencia de altura.

3.2. Elección del lugar de instalación de la unidad exterior

- No instale la unidad en lugares expuestos directamente al sol o a otras fuentes de calor.
- Escoja un lugar donde el ruido de la unidad no moleste a los vecinos.
- Escoja un lugar donde sea fácil instalar el cableado y las tuberías y acceder a la fuente de alimentación y a la unidad exterior.
- No instale la unidad donde se puedan verter, producir, circular o acumular gases inflamables.
- Durante el funcionamiento, la unidad puede perder agua.
- Escoja un lugar nivelado que pueda soportar el peso y la vibración de la unidad.
- No instale la unidad en lugares donde la pueda cubrir la nieve. En zonas propensas a las nevadas intensas, se deben tomar medidas de precaución, como por ejemplo, situar la unidad elevada o instalar una protección en la entrada de aire para evitar que la nieve la obstruya o fluya directamente contra ésta. Esto reduce la corriente de aire e impide que la unidad funcione correctamente.
- No instale la unidad en lugares expuestos a aceite, vapor o humo sulfúrico.
- Utilice las asas de transporte de la unidad exterior para transportarla. Si transporta la unidad tomándola por la parte inferior se podría lesionar las manos o los dedos.

3.3. Dimensiones exteriores (Unidad exterior) (Fig. 3-1)

3.4. Restricciones en la instalación de la unidad interior y de la caja de derivación

Debe tener en cuenta que las unidades interiores que pueden conectarse a esta unidad exterior tienen las siguientes limitaciones:

- Pueden conectarse las unidades interiores con números de modelo 06, 09, 12, 15, 18, 24, 30 y 36.
- Consulte la Tabla 1 para ver el número de unidades que pueden conectarse.
- La capacidad nominal total (refrigeración) de las unidades interiores conectadas (consulte la Tabla 2) no debe superar el 130% de la capacidad de la unidad exterior (consulte la Tabla 1 para ver el intervalo de capacidades de las unidades conectadas).

Además, pueden conectarse hasta 2 cajas de derivación.

Tabla 1: número de unidades que pueden conectarse e intervalo de capacidades de las unidades conectadas

Nombre del modelo de unidad exterior	Número de unidades que pueden conectarse	Intervalo de capacidades de las unidades conectadas
MXZ-4C36	2- 4* unidades	12 - 46 kBTU/h
MXZ-5C42	2- 5* unidades	12 - 54 kBTU/h
MXZ-8C48	2- 8* unidades	12 - 62 kBTU/h

* Para la serie MVZ, pueden conectarse un máximo de 2 unidades. No obstante, al conectar 2 unidades de la serie MVZ, no es posible conectar otras unidades interiores.

Tabla 2: Capacidad nominal (refrigeración) de las unidades interiores

Nº de modelo	06	09	12	15	18	24	30	36
Capacidad nominal (Refrigeración)	6	9	12	15	18	24	30	36

Ejemplo: MXZ-8C48

MSZ-18 = 18	} Capacidad nominal total 60 ≤ 62 kBTU/h
+	
SEZ-12 = 12	
+	
SLZ-12 = 12	
+	
SEZ-09 = 9	
+	
SLZ-09 = 9	

Las combinaciones en las que la capacidad total de las unidades interiores sobrepase la capacidad de la unidad exterior reducirán la capacidad de refrigeración de cada unidad interior por debajo de la capacidad nominal de refrigeración correspondiente. Por ello, si es posible, combine las unidades interiores según la capacidad que admita la unidad exterior.

3.5. Ventilación y espacio de servicio

3.5.1. Instalación en lugares expuestos al viento

Cuando instale una unidad en el tejado o en otros lugares desprotegidos del viento, la salida de aire de la unidad no debe quedar expuesta directamente al viento fuerte. Si el viento fuerte entra en la salida de aire puede impedir la circulación normal del aire y causar un mal funcionamiento.

A continuación se muestran 3 ejemplos de precauciones a tomar contra el viento fuerte.

- ① Coloque la salida de aire de frente a la pared más próxima a una distancia de unos 50 cm (19-11/16") de ella. (Fig. 3-2)
- ② Si la unidad está situada en un lugar expuesto a vientos fuertes como huracanes que puedan entrar en la salida de aire, coloque una guía de aire opcional. (Fig. 3-3)
 - Ⓐ Guía de aire
- ③ Coloque la unidad de manera que la salida de aire sople en dirección perpendicular a la dirección estacional del viento, si la conoce. (Fig. 3-4)
 - Ⓑ Dirección del viento

(pulg.)

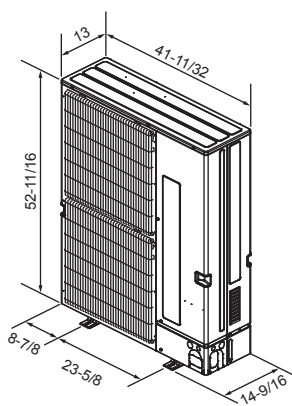


Fig. 3-1

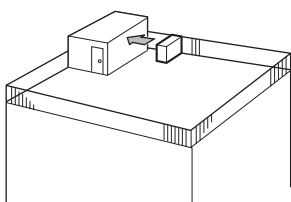


Fig. 3-2

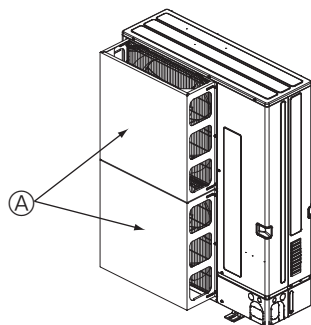


Fig. 3-3

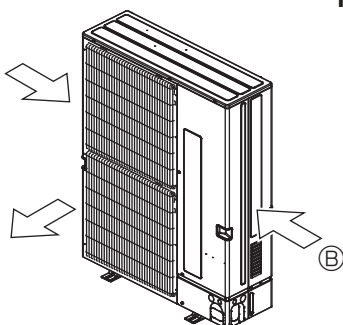


Fig. 3-4

3. Lugar de instalación

(pulg.)

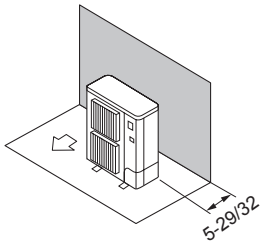


Fig. 3-5

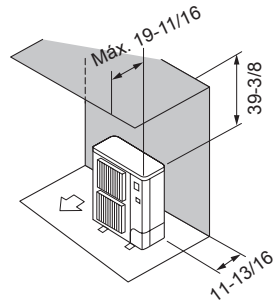


Fig. 3-6

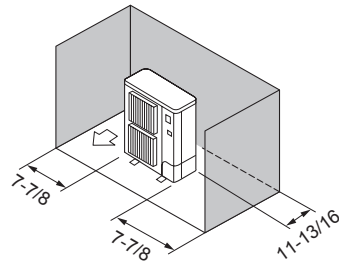


Fig. 3-7

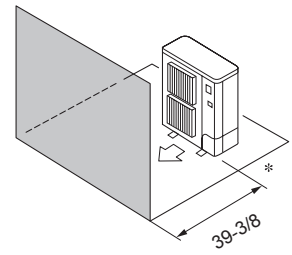


Fig. 3-8

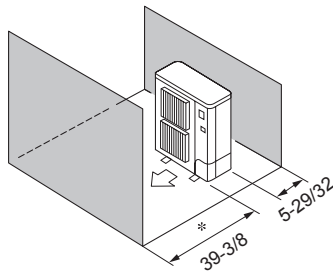


Fig. 3-9

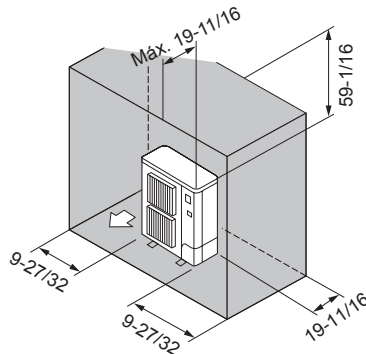


Fig. 3-10

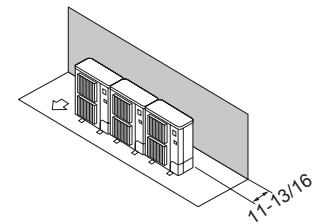


Fig. 3-11

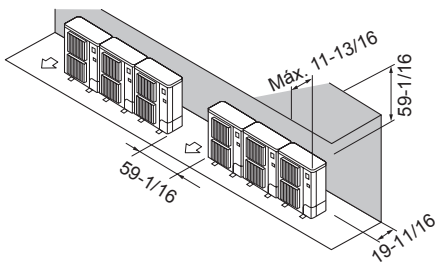


Fig. 3-12

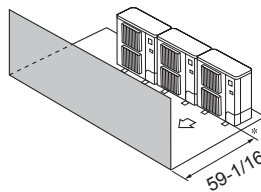


Fig. 3-13

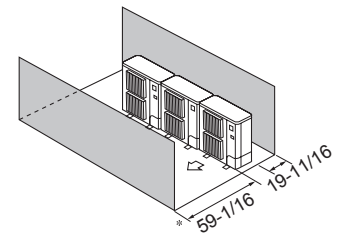


Fig. 3-14

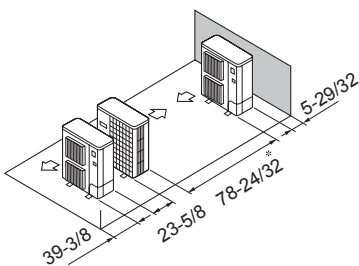


Fig. 3-15

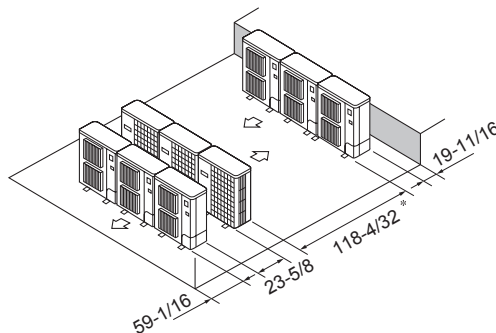


Fig. 3-16

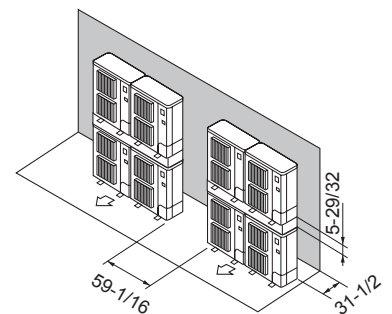


Fig. 3-17

3.5.2. Cuando se instala una unidad exterior simple

Las dimensiones mínimas son las siguientes, excepto para máx. (dimensiones máximas), las cuales también están indicadas.

Consulte los números correspondientes para cada caso.

- ① Obstáculos sólo en la parte trasera (Fig. 3-5)
- ② Obstáculos sólo en la parte trasera y superior (Fig. 3-6)
- ③ Obstáculos sólo en la parte trasera y los laterales (Fig. 3-7)
- ④ Obstáculos sólo en la parte delantera (Fig. 3-8)
 - * Si utiliza las guías para salida de aire opcional, el espacio libre deberá ser de 19-11/16" (500 mm) o más.
- ⑤ Obstáculos sólo en la parte delantera y trasera (Fig. 3-9)
 - * Si utiliza las guías para salida de aire opcional, el espacio libre deberá ser de 19-11/16" (500 mm) o más.
- ⑥ Obstáculos sólo en la parte trasera, los laterales y superior (Fig. 3-10)
 - No utilice las guías para salida de aire opcionales para corriente de aire hacia arriba.

3.5.3. Cuando instale varias unidades exteriores

Deje un espacio de 1" (25 mm) o más entre las unidades.

- ① Obstáculos sólo en la parte trasera (Fig. 3-11)
- ② Obstáculos sólo en la parte trasera y superior (Fig. 3-12)
 - No se deben instalar más de tres unidades correlativas. Además, se debe dejar el espacio indicado.
 - No utilice las guías para salida de aire opcionales para corriente de aire hacia arriba.
- ③ Obstáculos sólo en la parte delantera (Fig. 3-13)
 - * Si utiliza las guías para salida de aire opcional, el espacio libre deberá ser de 39-3/8" (1000 mm) o más.
- ④ Obstáculos sólo en la parte delantera y trasera (Fig. 3-14)
 - * Si utiliza las guías para salida de aire opcional, el espacio libre deberá ser de 39-3/8" (1000 mm) o más.
- ⑤ Disposición en paralelo de unidades simples (Fig. 3-15)
 - * Si utiliza las guías para salida de aire opcional instalada para que el aire salga hacia arriba, el espacio libre debe ser de 39-3/8" (1000 mm) o más.
- ⑥ Disposición en paralelo de varias unidades (Fig. 3-16)
 - * Si utiliza las guías para salida de aire opcional instalada para que el aire salga hacia arriba, el espacio libre debe ser de 59-1/16" (1500 mm) o más.
- ⑦ Disposición de unidad apilada (Fig. 3-17)
 - Se pueden apilar hasta dos unidades de altura.
 - No se deben instalar más de dos unidades correlativas. Además, se debe dejar el espacio indicado.

4. Instalación de la unidad exterior

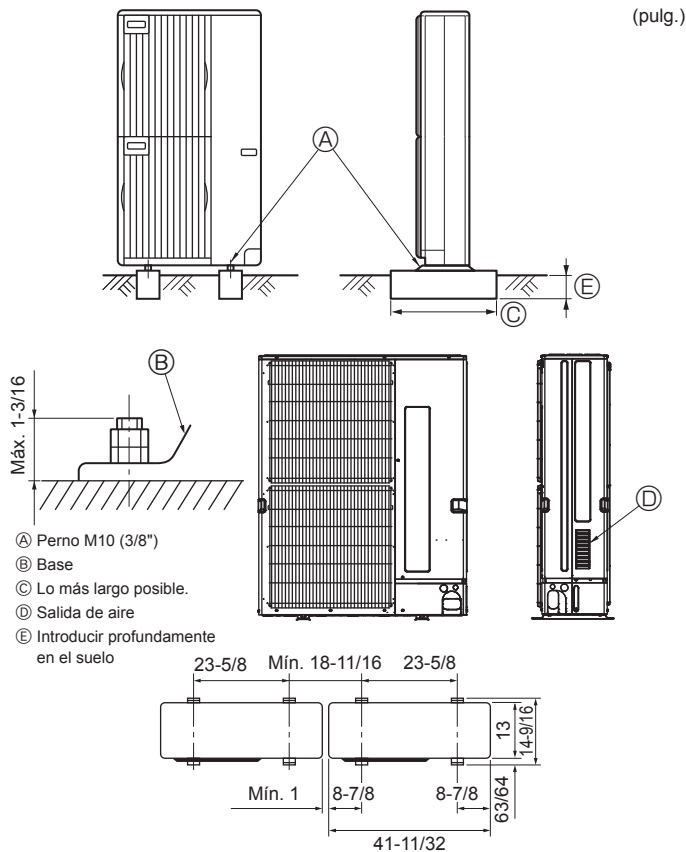


Fig. 4-1

5. Instalación de los tubos del refrigerante

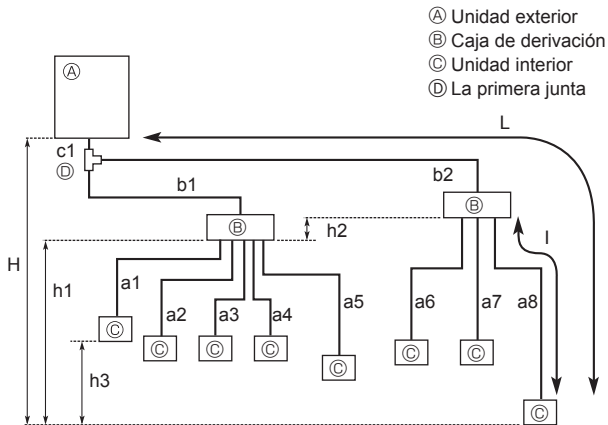


Fig. 5-1

- Cerciórese de instalar la unidad en una superficie robusta y nivelada para evitar los ruidos de traqueteo durante la operación. (Fig. 4-1)

<Especificaciones de la cimentación>

Perno de cimentación	M10 (3/8")
Grosor del hormigón	120 mm (4-23/32")
Longitud del perno	70 mm (2-3/4")
Capacidad de soporte de peso	320 kg (705 lbs)

- Cerciórese de que la longitud del perno de cimentación esté dentro de 30 mm (1-3/16") de la superficie inferior de la base.
- Asegure firmemente la base de la unidad con cuatro pernos de cimentación M10 en lugares robustos.

Instalación de la unidad exterior

- No obstruya la salida de aire. Si se obstruye la salida de aire, se puede dificultar el funcionamiento del aparato y puede causar una avería.
- Además de la base de la unidad, utilice los orificios de instalación situados en la parte trasera de la unidad para añadirle cables u otros elementos necesarios para instalar la unidad. Utilice tirafondos (ø5 × 15 mm, ø13/16" × 19/32" o menos) para instalar el equipo.

⚠ Atención:

- La unidad debe instalarse firmemente sobre una estructura capaz de soportar su peso. Si la unidad se instala sobre una estructura inestable, podría caerse y provocar daños o lesiones.
- La unidad debe instalarse según las instrucciones para reducir posibles daños en caso de terremoto, huracán o vientos fuertes. Si no se instala correctamente, la unidad podría caerse y provocar daños o lesiones.

⚠ Precaución:

- Instale la unidad en una estructura rígida para prevenir posibles vibraciones o el exceso de ruido durante el funcionamiento.

5.1. Precauciones a tomar en equipos que utilicen el refrigerante R410

- Consulte la página 35 para las precauciones a tomar en equipos que utilicen el refrigerante R410A y que no se encuentren a continuación.
- Utilice aceite de éster, de éter o alquilobenceno (en pequeñas cantidades) para recubrir las secciones abocardadas.
- Utilice tubos de cobre fosforoso del tipo C1220 y tubos de aleación de cobre sin costuras para conectar los tubos del refrigerante. Utilice tuberías para refrigerante del grosor especificado en la tabla siguiente. Asegúrese de que el interior de las tuberías está limpio y que no contienen ningún contaminante nocivo como compuestos sulfúricos, oxidantes, restos o polvo.

⚠ Atención:

Cuando instale, mueva o revise el equipo de la unidad exterior, utilice solo el refrigerante indicado (R410A) para cargar los tubos del refrigerante. No lo mezcle con otro tipo de refrigerante y vacíe completamente de aire los tubos. Si el aire se mezcla con el refrigerante, podría producir una tensión anormalmente alta en el tubo del refrigerante y ocasionar una explosión u otros peligros. Usar un refrigerante distinto al indicado para el sistema provocará un fallo mecánico, un funcionamiento defectuoso del sistema o la avería de la unidad. En el peor de los casos, podría suponer un grave impedimento para garantizar la seguridad del producto.

ø6,35 mm (1/4 pulg.), ø9,52 mm (3/8 pulg.), ø12,7 mm (1/2 pulg.)	Grosor 0,8 mm (1/32 pulg.)
ø15,88 (5/8 pulg.)	Grosor 1,0 mm (5/128 pulg.)

- No utilice tubos con un grosor menor del especificado a continuación.
- Los grosores que se enumeran en la tabla anterior están basados en estándares japoneses. Utilice tuberías que funcionen a una presión de 4,15 MPa [601 PSIG] como mínimo de acuerdo a los estándares locales.

Longitud permitida (un sentido)	Longitud total de los tubos	$c1 + b1 + b2 + a1 + a2 + a3 + a4 + a5 + a6 + a7 + a8 \leq 150 \text{ m (492 ft.)}$
	Longitud máxima de los tubos (L)	$c1 + b2 + a8 \leq 80 \text{ m (262 ft.)}$ ($b2 \leq 55 \text{ m (180 ft.)}$, $a8 \leq 25 \text{ m (82 ft.)}$)
	Longitud de los tubos entre la unidad exterior y las cajas de derivación	$c1 + b1 + b2 \leq 55 \text{ m (180 ft.)}$
	Caja de derivación más alejada de la primera junta (b2)	$b2 \leq 30 \text{ m (98 ft.)}$
	Longitud máxima del tubo desde la caja de derivación (l)	$a8 \leq 25 \text{ m (82 ft.)}$
Diferencia en la altura permitida (un sentido)	Longitud total de los tubos entre las cajas de derivación y las unidades interiores	$a1 + a2 + a3 + a4 + a5 + a6 + a7 + a8 \leq 95 \text{ m (311 ft.)}$
	En la sección interior/exterior (H) *1	$H \leq 50 \text{ m (164 ft.)}$ (En caso de que la unidad exterior se instale más arriba que la unidad interior) $H \leq 40 \text{ m (131 ft.)}$ (En caso de que la unidad exterior se instale más abajo que la unidad interior)
	En la sección caja de derivación/unidad interior (h1)	$h1 + h2 \leq 15 \text{ m (49 ft.)}$
	En cada unidad de derivación (h2)	$h2 \leq 15 \text{ m (49 ft.)}$
Número de codos	En cada unidad interior (h3)	$h3 \leq 12 \text{ m (39 ft.)}$
		$ c1 + b1 + a1 , c1 + b1 + a2 , c1 + b1 + a3 , c1 + b1 + a4 , c1 + b1 + a5 , c1 + b2 + a6 , c1 + b2 + a7 , c1 + b2 + a8 \leq 15$

*1 La caja de derivación se deberá situar en el nivel entre la unidad exterior y las unidades interiores.

5. Instalación de los tubos del refrigerante

5.2. Longitud de los tubos y diferencia de altura (Fig. 5-1)

Conexiones abocardadas

- Esta unidad tiene conexiones abocardadas en cada unidad interior, en la caja de derivación y en los laterales de la unidad exterior.

5.3. Carga adicional de refrigerante

Carga adicional de refrigerante

El refrigerante para la tubería extendida no viene incluido en la unidad exterior cuando esta se envía de fábrica. Por lo tanto, cargue cada sistema de tuberías de refrigerante con refrigerante adicional en el lugar de la instalación. Además, para efectuar labores de mantenimiento, introduzca el tamaño y la longitud de cada tubería de líquido y cantidades de carga de refrigerante adicional en los espacios proporcionados en la placa de "Cantidad de refrigerante" de la unidad exterior.

Cálculo de la recarga adicional de refrigerante

- Calcule la carga adicional utilizando el tamaño de la tubería de líquido y la longitud de la tubería extendida.
- Calcule la carga adicional de refrigerante siguiendo el procedimiento que se muestra a la derecha, y cargue el refrigerante adicional.
- Para cantidades inferiores a 0,1 kg, redondee hacia arriba la cantidad de refrigerante adicional calculada.
(Por ejemplo, si la carga calculada es 6,01 kg, redondee la carga a 6,1 kg).

- Retire la cubierta de la válvula de la unidad exterior y, a continuación, conecte el tubo.
- Los tubos de refrigerante se utilizan para conectar la caja de derivación y la unidad exterior.

<Carga adicional>

Cálculo de la carga de refrigerante

Medida del tubo Tubería de líquido ø6,35	+	Medida del tubo Tubería de líquido ø9,52	+	Capacidad total de las unidades interiores conectadas	Cantidad de unidades interiores
(m) × 19,0 (g/m) (0,21 (oz/ft))		(m) × 50,0 (g/m) (0,55 (oz/ft))		- 27	1,5 kg (53 oz)
				28 - 54	2,5 kg (88 oz)
				55 - 62	3,0 kg (106 oz)

Cantidad de refrigerante incluido cuando se envía de fábrica

Cantidad de refrigerante incluido
4,8 kg (10 lbs, 9 oz)

<Ejemplo>

Modelo exterior : MXZ-8C48NAHZ

Interior 1 : modelo 24 A : ø9,52 30 m a : ø9,52 15 m (49 ft)
 2 : modelo 15 b : ø6,35 10 m (33 ft)
 3 : modelo 09 c : ø6,35 10 m (33 ft)
 4 : modelo 09 d : ø6,35 20 m (66 ft)

Con las condiciones que figuran más abajo.

La longitud total de cada conducto de líquido es la siguiente:

ø9,52 : A + a = 30 + 15 = 45 m (148 ft)

ø6,35 : b + c + d = 10 + 10 + 20 = 40 m (131 ft)

La capacidad total de la unidad interior conectada es la siguiente:

24 + 15 + 09 + 09 = 57

<Ejemplo de cálculo>

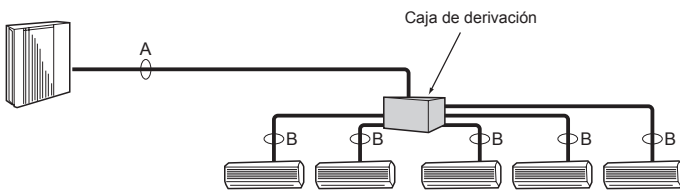
Carga adicional de refrigerante

$$40 \times \frac{19,0}{1000} + 45 \times \frac{50,0}{1000} + 3,0 = 6,1 \text{ kg (redondeado)}$$

$$(131 \times 0,21 + 148 \times 0,55 + 106 = 215 \text{ oz})$$

■ En caso de utilizar una caja de 1 derivación

Conexión abocardada utilizada. (Sin soldadura)



■ En caso de utilizar cajas de 2 derivaciones

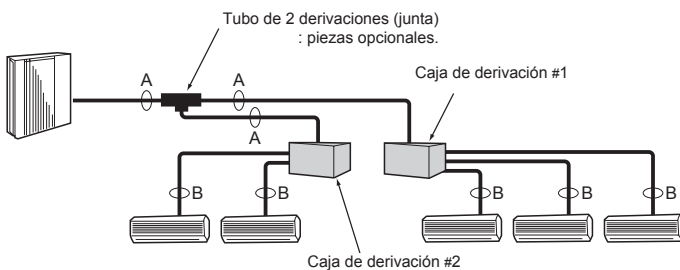


Fig. 5-2

(1) Tamaño de la válvula de la unidad interior

Para líquido	ø9,52 mm (3/8 pulg.)
Para gas	ø15,88 mm (5/8 pulg.)

(2) Tamaño de la válvula para la caja de derivación

UNIDAD	Tubo de líquido	Tubo de gas
▲ UNIDAD	ø6,35 mm (1/4 pulg.)	ø9,52 mm (3/8 pulg.)
■ UNIDAD	ø6,35 mm (1/4 pulg.)	ø9,52 mm (3/8 pulg.)
□ UNIDAD	ø6,35 mm (1/4 pulg.)	ø9,52 mm (3/8 pulg.)
▣ UNIDAD	ø6,35 mm (1/4 pulg.)	ø9,52 mm (3/8 pulg.)
⊠ UNIDAD	ø6,35 mm (1/4 pulg.)	ø12,7 mm (1/2 pulg.)

* De tipo 3 derivaciones : sólo unidad ▲, ■, □

Fórmula de conversión

1/4 F	ø6,35 (1/4)
3/8 F	ø9,52 (3/8)
1/2 F	ø12,7 (1/2)
5/8 F	ø15,88 (5/8)
3/4 F	ø19,05 (3/4)

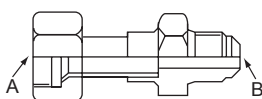


Fig. 5-3

5.4. Selección del tamaño de los tubos (Fig. 5-2)

Fórmula de conversión

	A	B
Líquido	ø9,52 mm (3/8 pulg.)	El tamaño de la conexión de los tubos varía en función del tipo y la capacidad de las unidades interiores. Haga que coincida el tamaño de la conexión del tubo de la caja de derivación con la unidad interior. Si el tamaño de la conexión del tubo de la caja de derivación no coincide con el tamaño de la conexión del tubo de la unidad interior, utilice juntas opcionales de diámetro diferente (deformadas) en el lateral de la caja de derivación. (Conecte la junta deformada directamente al lateral de la caja de derivación).
Gas	ø15,88 mm (5/8 pulg.)	

Junta de diámetro diferente (piezas opcionales) (Fig. 5-3)

Nombre del modelo	Diámetro de los tubos conectados	Diámetro A	Diámetro B
	mm (pulg.)	mm (pulg.)	mm (pulg.)
MAC-A454JP	ø9,52 (3/8) → ø12,7 (1/2)	ø9,52 (3/8)	ø12,7 (1/2)
MAC-A455JP	ø12,7 (1/2) → ø9,52 (3/8)	ø12,7 (1/2)	ø9,52 (3/8)
MAC-A456JP	ø12,7 (1/2) → ø15,88 (5/8)	ø12,7 (1/2)	ø15,88 (5/8)
PAC-493PI	ø6,35 (1/4) → ø9,52 (3/8)	ø6,35 (1/4)	ø9,52 (3/8)
PAC-SG76RJ-E	ø9,52 (3/8) → ø15,88 (5/8)	ø9,52 (3/8)	ø15,88 (5/8)

Preparación de los tubos

① En la tabla siguiente se muestran las especificaciones de los tubos comercialmente disponibles.

Diámetro exterior	Grosor del aislamiento	Material de aislamiento
mm (pulg.)	mm (pulg.)	
6,35 (1/4)	8 (5/16)	Plástico celular resistente al calor y gravedad específica de 0,045
9,52 (3/8)	8 (5/16)	
12,7 (1/2)	8 (5/16)	
15,88 (5/8)	8 (5/16)	

② Asegúrese de que los 2 tubos de refrigerante están aislados para evitar la condensación.

③ El radio mínimo de curvatura debe ser de 4" (100 mm) o más.

⚠ Cuidado

Asegúrese de utilizar el aislamiento del grosor especificado. Si el grosor es excesivo puede que no se instalen correctamente la unidad interior y la caja de derivación; y si es insuficiente, puede provocar el goteo de rocío.

Tubo de 2 derivaciones (Junta) : Piezas opcionales (Elija la más conveniente según el método de conexión).

Nombre del modelo	Método de conexión
MSDD-50AR-E	abocardado
MSDD-50BR-E	soldadura

■ Procedimiento de instalación (Tubo de 2 derivaciones (Junta))

Consulte los manuales de instalación de MSDD-50AR-E y MSDD-50BR-E.

5. Instalación de los tubos del refrigerante

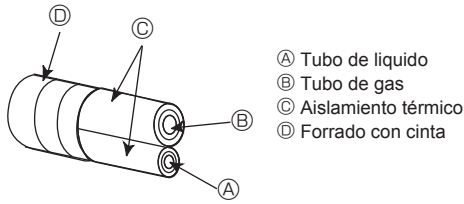
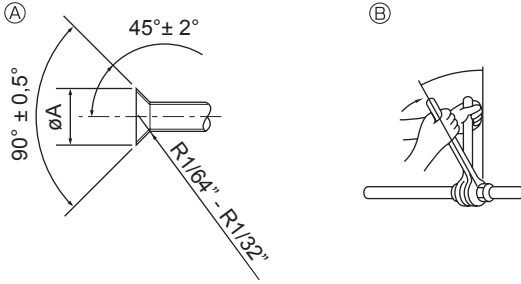


Fig. 5-4



- A) Dimensiones del corte abocinado
B) Torsión de apriete de la tuerca abocardada

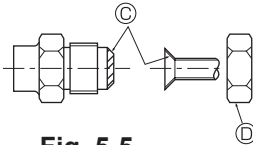


Fig. 5-5

A) (Fig. 5-5)

Tubo de cobre O.D. (mm) (pulg.)	Dimensiones de abocinado dimensiones ϕA (mm) (pulg.)
$\phi 6,35$ (1/4)	8,7 - 9,1 (5/16 - 3/8)
$\phi 9,52$ (3/8)	12,8 - 13,2 (1/2)
$\phi 12,7$ (1/2)	16,2 - 16,6 (5/8)
$\phi 15,88$ (5/8)	19,3 - 19,7 (3/4)

Tubo de cobre O.D. (mm) (pulg.)	Tuerca de abocardado O.D. (mm) (pulg.)	Torsión de apriete (N·m)* (ft·lb)
$\phi 6,35$ (1/4)	17 (11/16)	14 - 18 (10 - 13)
$\phi 6,35$ (1/4)	22 (7/8)	34 - 42 (25 - 30)
$\phi 9,52$ (3/8)	22 (7/8)	34 - 42 (25 - 30)
$\phi 9,52$ (3/8)	26 (1-1/4)	49 - 61 (35 - 44)
$\phi 12,7$ (1/2)	26 (1-1/4)	49 - 61 (35 - 44)
$\phi 12,7$ (1/2)	29 (1-1/8)	68 - 82 (49 - 59)
$\phi 15,88$ (5/8)	29 (1-1/8)	68 - 82 (49 - 59)
$\phi 15,88$ (5/8)	36 (1-7/16)	100 - 120 (71 - 87)

* 1 N·m \approx 10 kgf·cm

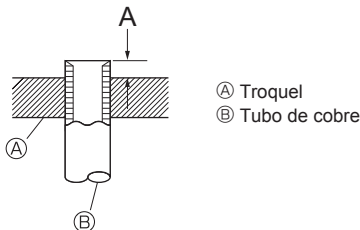


Fig. 5-6

⚠ Atención:

Al bombear el refrigerante, detenga el compresor antes de desconectar las tuberías de refrigerante. El compresor podría explotar y causar lesiones en caso de penetrar alguna sustancia extraña, como por ejemplo aire, en el sistema.

5.5. Tubos de conexión (Fig. 5-4) (Fig. 5-5)

- Lleve a cabo los trabajos de aislamiento y anticondensación pertinentes para evitar que gotee el agua desde el tubo de refrigerante. (tubo de líquido/gas)
- Aumente el grado de aislamiento en función del entorno donde esté instalado el tubo de refrigerante. De lo contrario, podría generarse condensación en la superficie del material de aislamiento. [Temperatura del material de aislamiento resistente al calor: 120 °C (248 °F), grosor: 15 mm (5/8 pulgadas) o más]
 - * Cuando el tubo de refrigerante se usa en emplazamientos expuestos a una alta temperatura y humedad, como en áticos, es posible que se necesite reforzar el aislamiento.
- Para aislar el tubo de refrigerante, aplique espuma de polietileno resistente al calor entre la unidad interior y el material de aislamiento, así como a la red que se encuentra entre el material de aislamiento para cubrir todos los huecos. (La condensación que se forme en el tubo puede generar condensación en la sala o incluso quemaduras al tocar el tubo.)
- Las piezas interiores del tubo de drenaje tienen que estar envueltas en materiales aislantes de espuma de polietileno (gravedad específica de 0,03 y espesor de 9 mm (3/8 pulg.) o más).

[Fig. 5-5]

- Aplique una capa delgada de aceite refrigerante a la superficie tubo y de la junta de asiento antes de apretar la tuerca de abocardado. A
- Utilice 2 llaves de apriete para apretar las conexiones de los tubos. B
- Utilice un detector de fugas o agua jabonosa para comprobar posibles fugas de gas una vez realizadas las conexiones.
- Aplique aceite refrigerante para máquinas en toda la superficie abocinada. C
- Utilice las tuercas abocardadas tal y como se indica a continuación. D

⚠ Atención:

Al instalar la unidad, conecte las tuberías de refrigerante de forma fija antes de poner en marcha el compresor.

■ Tamaño del tubo (Unidad exterior-Caja de derivación)

Tamaño del tubo (ømm) (pulg.)	Líquido	Gas
$\phi 9,52$ (3/8)	$\phi 9,52$ (3/8)	$\phi 15,88$ (5/8)

La alineación de una unidad interior conectable depende del distrito/zona/país.

■ Tamaño del tubo (Caja de derivación-Unidad interior) *Caso de la serie M o unidad interior de la serie S

Tipo de unidad interior	(BTU/h)	06	09	12	15	18	24
Tamaño del tubo (ømm) (pulg.)	Líquido	$\phi 6,35$ (1/4)	$\phi 6,35$ (1/4)	$\phi 6,35$ (1/4)	$\phi 6,35$ (1/4)	$\phi 6,35$ (1/4)	$\phi 9,52$ (3/8)
	Gas	$\phi 9,52$ (3/8)	$\phi 9,52$ (3/8)	$\phi 9,52$ (3/8)	$\phi 12,7$ (1/2)	$\phi 12,7$ (1/2)	$\phi 15,88$ (5/8)

■ Tamaño del tubo (Caja de derivación-Unidad interior) *Caso de la unidad interior de la serie P

Tipo de unidad interior	(BTU/h)	12	18	24	30	36
Tamaño del tubo (ømm) (pulg.)	Líquido	$\phi 6,35$ (1/4)	$\phi 6,35$ (1/4)	$\phi 9,52$ (3/8)	$\phi 9,52$ (3/8)	$\phi 9,52$ (3/8)
	Gas	$\phi 12,7$ (1/2)	$\phi 12,7$ (1/2)	$\phi 15,88$ (5/8)	$\phi 15,88$ (5/8)	$\phi 15,88$ (5/8)

- Cuando doble los tubos, tenga cuidado de no romperlos. Un radio de curvatura de 100 mm (4 pulg.) a 150 mm (6 pulg.) resultará suficiente.
- Asegúrese de que las tuberías no tocan el compresor. Podría producir ruidos o vibraciones extrañas.

- Las tuberías se deben conectar empezando por la unidad interior. Las tuercas abocardadas se deben apretar con una llave dinamométrica.
 - Caliente el tubo de líquido y el tubo de gas y aplique una fina capa de aceite de refrigeración (aplicado directamente).
- Cuando utilice un sellador de tubos normal, consulte la Tabla 2 para abocardar tuberías para refrigerante R410A. Para confirmar las medidas de A se puede utilizar el ajustador del tamaño.

⚠ Precaución:

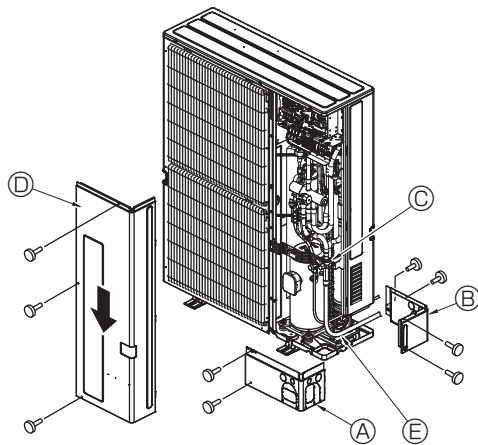
- Asegúrese de revestir los tubos con materiales aislantes. El contacto directo con dichos tubos al descubierto puede provocar quemaduras o congelaciones.

Tabla 2 (Fig. 5-6)

mm (pulg.)

Tubo de cobre O.D.	A	
	Herramienta abocinada para R410A	Herramienta abocinada para R22-R407C
	Tipo gancho	
$\phi 6,35$ (1/4)	0 - 0,5 (0 - 1/64)	1,0 - 1,5 (3/64 - 1/16)
$\phi 9,52$ (3/8)	0 - 0,5 (0 - 1/64)	1,0 - 1,5 (3/64 - 1/16)
$\phi 12,7$ (1/2)	0 - 0,5 (0 - 1/64)	1,0 - 1,5 (3/64 - 1/16)
$\phi 15,88$ (5/8)	0 - 0,5 (0 - 1/64)	1,0 - 1,5 (3/64 - 1/16)

5. Instalación de los tubos del refrigerante



- A Cubierta de la tubería frontal
- B Cubierta de la tubería
- C Válvula de parada
- D Panel de servicio
- E Radio del codo: 100 mm - 150 mm (3-15/16" - 5-7/8")

Fig. 5-7

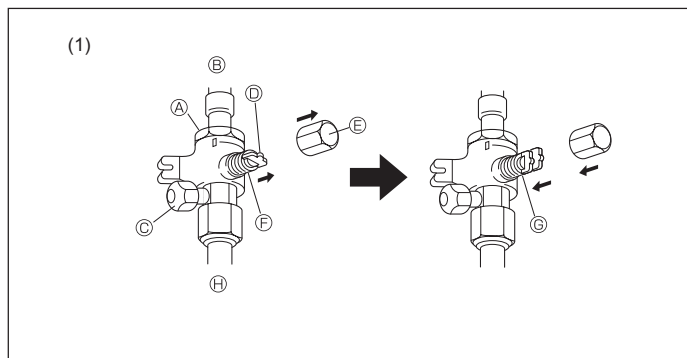


Fig. 5-8

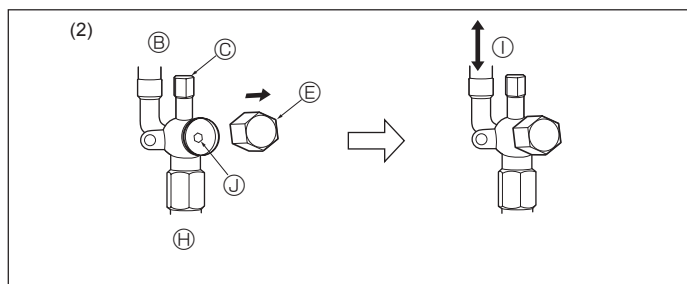


Fig. 5-9

- A Válvula
- B Lado de unidad
- C Puerto de servicio
- D Manivela
- E Tapa
- F Completamente cerrada
- G Completamente abierta
- H Lado de tubo de refrigerante (Instalación correcta)
- I Dirija la circulación del refrigerante a
- J Orificio de llave

5.6. Tubos de refrigerante (Fig. 5-7)

Quite el panel de servicio ① (3 tornillos) y la cubierta de la tubería frontal ② (2 tornillos) y cubierta de la tubería posterior ③ (4 tornillos).

① Realice las conexiones de los tubos de refrigerante de la unidad interior/exterior con la válvula de parada de la unidad exterior completamente cerrada.

② Purgue el aire del sistema por succión en la unidad interior y tubos de conexión.

Vaciado

Realice el vaciado con la válvula de la unidad exterior cerrada, y vacíe la tubería de conexión y la unidad interior desde el puerto de servicio que se proporciona en la válvula de la unidad exterior utilizando una bomba de vacío. (Realice el vaciado siempre desde el puerto de servicio de los tubos de líquido y gas.) Una vez que la bomba haya alcanzado 650 Pa [abs] [0,0943 psi/5 Torr], continúe con el vaciado durante al menos una hora o más. Después, detenga la bomba de vacío y espere 1 hora. Asegúrese de que el grado de vacío no haya incrementado. **(Si el incremento del grado de vacío es superior a 130 Pa [0,01886 psi/1,0 Torr], es posible que haya entrado agua. Aplique presión al gas de nitrógeno seco hasta que alcance 0,05 MPa [7,25 psi] y vuelva a realizar el vaciado.)** Por último, selle con el líquido refrigerante en el tubo de líquido y ajuste el tubo de gas para obtener una cantidad adecuada de refrigerante durante el funcionamiento.

* Nunca lleve a cabo la purga del aire utilizando refrigerante.

③ Tras conectar las tuberías de refrigerante con la unidad interior, compruebe que no haya fugas de gas. (Consulte apartado 5.8. Prueba de fuga de gas del tubo de refrigerante.)

④ aspire las líneas de refrigerante a través del puerto de reparaciones de las válvulas de parada de líquido y de gas. A continuación, abra completamente las válvulas de parada (tanto las válvulas de parada de líquido como las de gas). Esta operación le permitirá conectar completamente las líneas refrigerantes de las unidades interiores y exteriores.

- Si deja cerradas las válvulas de parada y pone en marcha la unidad, el compresor y la válvula de control sufrirán daños.
- Utilice un detector de fugas o jabón y agua para detectar las fugas de gas en las juntas de las conexiones de los tubos de la unidad exterior.
- No utilice el refrigerante desde la unidad para purgar el aire de las líneas de refrigerante.
- Tras haber realizado los trabajos en las válvulas, ajuste las tuercas de las válvulas a la presión adecuada: 20 a 25 N·m [14 a 18 ft·lbs] (200 a 250 kgf·cm). Si no sustituye o aprieta bien las tuercas puede provocar una fuga de refrigerante. Además, evite dañar el interior de las válvulas ya que funcionan como selladoras para evitar fugas de refrigerante.

⑤ Utilice un sellador para proteger las conexiones de los tubos y los extremos del material aislante no se impregnen de agua.

Las tuberías de refrigerante están envueltas con una protección

• Los tubos se pueden envolver para su protección hasta un diámetro de $\varnothing 90$ mm (3-9/16") antes de conectar los tubos. Corte la tapa del tubo siguiendo la guía y envuelva los tubos.

Hueco de entrada de la tubería

• Utilice masilla de minio o un sellador para sellar el extremo del tubo alrededor del tubo para que no queden espacios vacíos.

(Si no se tapan los vacíos, se puede producir ruido o puede entrar agua o polvo y la unidad se podría averiar.)

Nota:

<Vaciado triple>

- Vacíe el sistema a 4.000 micras desde ambas válvulas de servicio. No utilice los medidores múltiples del sistema para medir el vacío. Utilice siempre un micrómetro.
 - Rompa el vacío con el nitrógeno (N₂) en la válvula de servicio de descarga a 0 PSIG.
- Vacíe el sistema a 1.500 micras desde la válvula de servicio de aspiración.
 - Rompa el vacío con el nitrógeno (N₂) en la válvula de servicio de descarga a 0 PSIG.
- Vacíe el sistema a 500 micras. El sistema deberá mantener el vacío a 500 micras durante mínimo 1 hora.
- Realice una prueba de aumento durante al mínimo 30 minutos.

5.7. Medidas de precaución con la conexión de tubos/manipulación de las válvulas

- Efectúe la conexión de los tubos y la manipulación de las válvulas siguiendo exactamente las indicaciones de la figura siguiente.
- Aplique el sellador en el aislante para evitar que entre agua en el aislante que cubre las juntas de los tubos del refrigerante.
- Después de la evacuación y la carga de refrigerante, asegúrese de que la manivela está totalmente abierta. Si se pone en funcionamiento con la válvula cerrada, se transmitirá una presión anormal en el lado de presión alta o baja del circuito del refrigerante, dañando el compresor, etc.
- **Determine la cantidad de carga adicional de refrigerante (consulte la sección "5.3. Añadido de refrigerante"), y cargue el refrigerante adicional a través del puerto de servicio una vez que finalice el trabajo de conexión de los tubos.**
- Una vez finalizado el trabajo, apriete el puerto de servicio (12 - 15 N·m) [9 - 11 ft·lbs] y la tapa (20 - 25 N·m) [14 - 18 ft·lbs] de modo seguro para evitar un escape de gas. *1 N·m \approx 10 kgf·cm

Método de apertura completa de la válvula de parada

El método de apertura de la válvula de retención varía según el modelo de unidad exterior. Utilice el método adecuado para abrir las válvulas de retención.

(1) Lado de gas (Fig. 5-8)

① Quite la tapa, tire de la manivela hacia usted y gire 1/4 de vuelta hacia la izquierda para abrir.

② Cerciórese de que la válvula de parada esté completamente abierta, empuje la manivela y enrosque la tapa en su posición original.

(2) Lado de líquido (Fig. 5-9)

① Abra la tapa y gire la varilla de válvula hacia la izquierda hasta su tope, utilizando una llave hexagonal de 4 mm [3/16"]. Deje de girar cuando llega al tope.

② Cerciórese de que la válvula de parada esté completamente abierta y enrosque la tapa en su posición original.

5. Instalación de los tubos del refrigerante

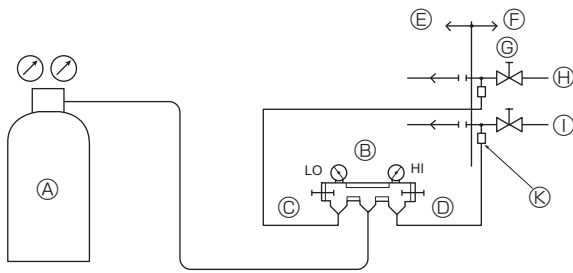


Fig. 5-10

5.8. Método para la prueba de fuga de gas del tubo de refrigerante

Prueba de fuga de gas (Fig. 5-10)

La prueba de fuga de gas se deberá realizar presurizando el gas nitrógeno. Consulte en la figura siguiente el método para realizar la prueba.

- (1) Conexión de la herramienta para pruebas. Haga una prueba con la válvula de parada cerrada. Asegúrese también de presurizar el tubo de líquido o de alta presión, y el tubo de gas o de baja presión.
- (2) No añada presión a la presión especificada de una vez; añádala poco a poco.
 - ① Presurice a 0,5 MPa [73 PSIG], espere 5 minutos y compruebe que la presión no se ha reducido.
 - ② Presurice a 1,5 MPa [218 PSIG], espere 5 minutos y compruebe que la presión no se ha reducido.
 - ③ Presurice a 4,15 MPa [601 PSIG] y tome la temperatura ambiental y la presión del refrigerante.
- (3) Si la presión especificada se mantiene estable durante un día y no se reduce, las tuberías han pasado la prueba y no existe riesgo de fugas.
 - Si la temperatura ambiental cambia 1°C [1,8°F], la presión variará unos 0,01 MPa [1,5 PSIG]. Haga las correcciones necesarias.
- (4) Si la presión se reduce en los pasos (2) o (3), hay una fuga de gas. Busque el punto de fuga del gas.

- Ⓐ Gas nitrógeno
- Ⓑ Analizador del sistema
- Ⓒ Saliente bajo
- Ⓓ Saliente alto
- Ⓔ A caja de derivación
- Ⓕ Unidad exterior
- Ⓖ Válvula de parada
- Ⓗ Tubo de líquido o tubo de alta presión
- Ⓙ Tubo de gas o tubo de baja presión
- Ⓚ Puerto de servicio

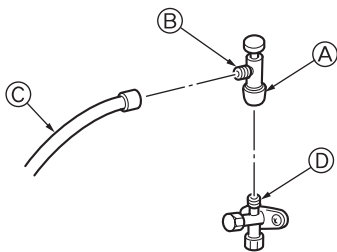
Precauciones al utilizar la válvula de carga (Fig. 5-11)

No apriete demasiado el puerto de servicio cuando lo instale, de lo contrario, el núcleo de la válvula podría deformarse y quedar suelto, provocando fugas de gas. Tras situar la sección Ⓑ en la dirección deseada, gire únicamente la sección Ⓐ y apriétela.

No siga apretando las secciones Ⓐ y Ⓑ juntas tras apretar la sección Ⓐ.

⚠ Atención:

- Al instalar la unidad, conecte firmemente las tuberías de refrigerante antes de poner en marcha el compresor.



- * La figura de la izquierda no es más que un ejemplo. La forma de la válvula de parada, la posición del puerto de servicio, etc. pueden variar en función del modelo.
- * Gire únicamente la sección Ⓐ. (No siga apretando las secciones Ⓐ y Ⓑ juntas).

- Ⓒ Manguera de carga
- Ⓓ Puerto de servicio

Fig. 5-11

6. Tubería de drenaje

Conexión de la tubería de drenaje con la unidad exterior

Cuando sea necesario drenar la tubería, use la toma de drenaje o la batería de drenaje (opcional).

Toma de drenaje	PAC-SG61DS-E
Batería de drenaje	PAC-SH97DP-E

7. Trabajo eléctrico

7.1. Cuidado

- ① Siga las ordenanzas gubernamentales en cuanto a normas técnicas relacionadas con el equipo eléctrico, las regulaciones sobre cableado y las indicaciones de cada compañía eléctrica.
- ② El cableado para control (a partir de ahora denominado línea de transmisión) debe estar (5 cm [2 pulg.] o más) aparte del cableado de la fuente de energía de manera que no le afecte el ruido eléctrico del cableado de la fuente de energía. (no intercale la línea de transmisión y el cable de la fuente de energía en el mismo conducto.)
- ③ Asegúrese de dar el trabajo de tierra previsto para la unidad exterior.
- ④ Dé un cierto margen al cableado para la caja eléctrica de las unidades interior y exterior, ya que la caja es retirada a veces cuando se realiza el trabajo de mantenimiento.
- ⑤ No conecte nunca la fuente principal de energía al bloque de terminal de la línea de transmisión. Si está conectado, las piezas eléctricas se quemarán.
- ⑥ Use cable blindado de dos almas para la línea de transmisión. Si las líneas de transmisión de sistemas diferentes están conectados con los mismos cables de varias almas, la pobre transmisión y recepción resultante dará lugar a funciones erróneas.
- ⑦ Únicamente la línea de transmisión especificada debería ser conectada al bloque de terminal para la transmisión de la unidad exterior. (La línea de transmisión que debe conectarse con la unidad interior: El bloque de terminal TB3 para la línea de transmisión, Otro: El bloque de terminal TB7 para un control centralizado) Una conexión errónea no permite que el sistema funcione.
- ⑧ Si se conecta con el controlador de gama alta o se efectúa un manejo en grupo en diferentes sistemas de refrigeración es necesaria la línea de control para la transmisión entre cada una de las unidades exteriores. Conecte esta línea de control entre los bloques de terminal para un control centralizado (línea de dos cables sin polaridad). Cuando se lleva a cabo un manejo en grupo en diferentes sistemas de refrigeración sin conectar al controlador de gama alta, cambie el inserto del conector de cortocircuito de CN41 de una unidad exterior a CN40.
- ⑨ Antes de activar la unidad exterior, compruebe que haya desactivado las unidades interiores y las cajas de derivación.

7. Trabajo eléctrico

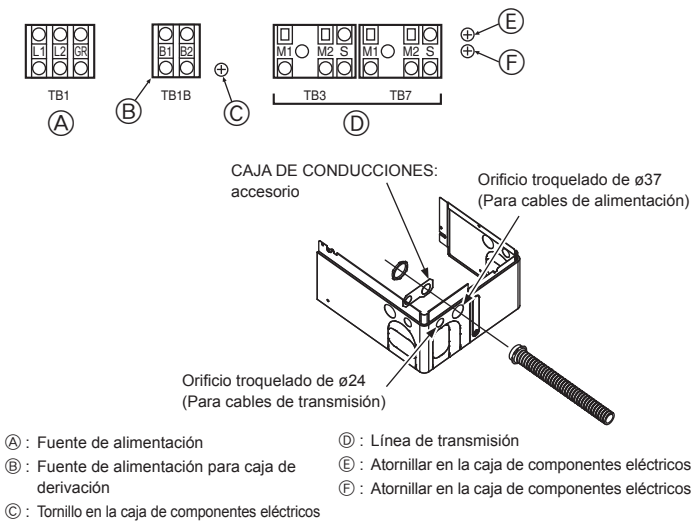


Fig. 7-1

7.2. Caja de control y posición de conexión de los cables (Fig. 7-1)

1. Conecte la línea de transmisión de la caja de derivación al bloque de terminales de transmisión (TB3), o conecte los cables entre las unidades exteriores o el cableado con el sistema de control centralizado al bloque de terminales del control centralizado (TB7). Si utiliza cables blindados, conecte la toma de tierra blindada de la línea de transmisión de la caja de derivación al tornillo (Ⓒ o Ⓔ) y conecte la toma de tierra blindada de la línea entre las unidades exteriores y la línea de transmisión del sistema de control central al terminal (S) blindado del terminal (S) blindado del bloque de terminales del control centralizado (TB7). Además, en el caso de las unidades exteriores cuyo conector de alimentación CN41 se ha sustituido por el CN40, el terminal blindado (S) del bloque de terminales (TB7) del sistema de control central también debe conectarse al tornillo (Ⓒ o Ⓔ) utilizando el cable suministrado.
2. Se suministran las cajas de montaje de conducciones (ø27). Pase los cables de alimentación y de transmisión por los orificios troquelados adecuados, retire la pieza troquelada de la parte inferior de la caja de terminales y conecte los cables.
3. Asegure los cables de alimentación a la caja de terminales utilizando un mango separador para la fuerza de tracción (conexión PG o similar).
4. La caja de terminales (TB1B) suministra alimentación a la caja de derivación (220 ~ 240 V. máx. 6 A).

⚠ Cuidado:

Nunca conecte la línea de transmisión para la caja de derivación ni la línea de transmisión del sistema de control central a esta caja de terminales (TB1B). Si las líneas de transmisión están conectadas, el bloque de terminales de la unidad interior, la caja de derivación o el control centralizado podrían resultar dañados.

7.3. Tendido de cables de transmisión

① Tipos de cables de control

1. Cables de transmisión del cableado
 - Tipos de cables de transmisión: Cable blindado CVVS, CPEVS o MVVS
 - Diámetro del cable: Más de 1,25 mm²
 - Longitud máxima del cable: Entre unos 200 m

2. Cables del controlador remoto M-NET

Tipo de cable del controlador remoto	Cable blindado (dos almas) CVVS, CPEVS o MVVS
Diámetro del cable	0,5 a 1,25 mm ² [AWG20 a AWG16]*
Observaciones	Cuando pase de 10 m [32 ft], utilice un cable con las mismas características que el de la línea de transmisión

* Conectado con controlador remoto sencillo.

3. Cables del controlador remoto MA

Tipo de cable del controlador remoto	Cable revestido de 2 núcleos (no blindado) CVV
Diámetro del cable	0,3 a 1,25 mm ² (0,75 a 1,25 mm ²)*
Observaciones	Entre unos 200 m

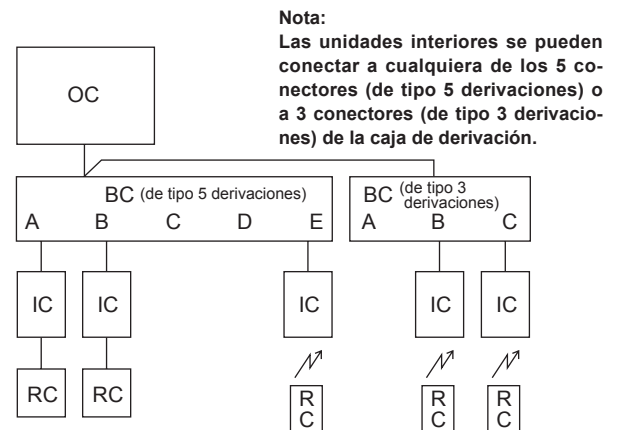
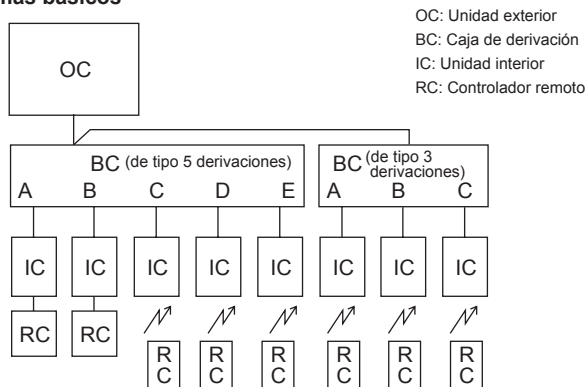
* Conectado con controlador remoto sencillo.

② Ejemplos de cables

- Nombre de los controladores, símbolo y número de controladores conectables.

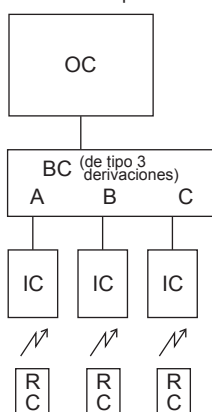
Nombre	Símbolo	Número de controladores permitido
Controlador de la unidad exterior	OC	—
Controlador de la unidad interior	IC	MXZ-4C36 De 2 a 4 unidades por 1 OC
		MXZ-5C42 De 2 a 5 unidades por 1 OC
		MXZ-8C48 De 2 a 8 unidades por 1 OC
Controlador remoto	RC	MA Un máximo de 2 por grupo

[1] Sistemas básicos

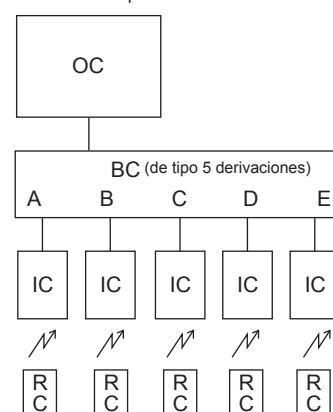


[2] Sistemas estándar

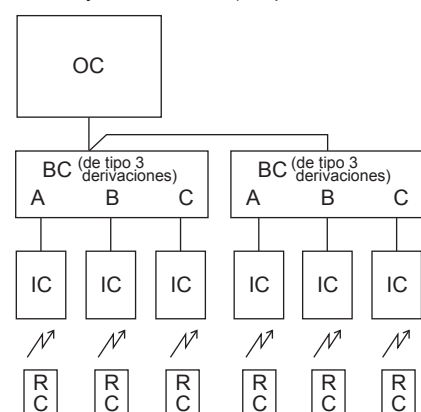
2-1. Sólo de tipo 3 derivaciones



2-2. Sólo de tipo 5 derivaciones

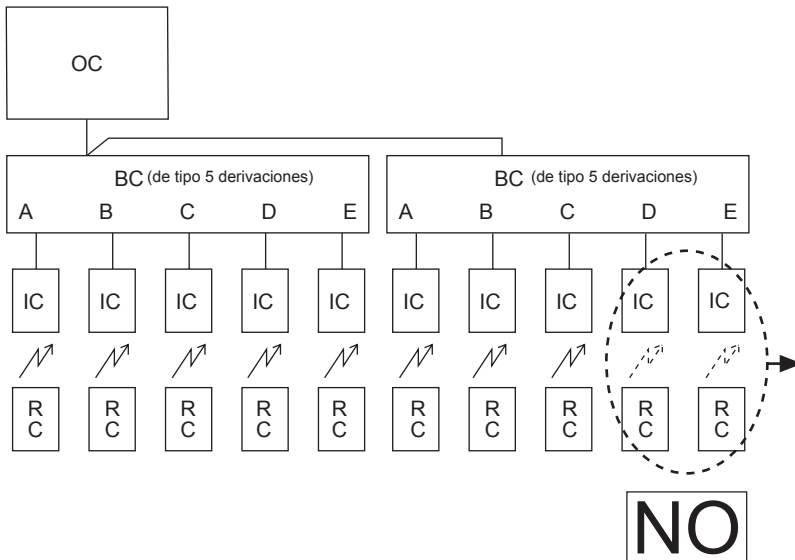


2-3. 2 cajas de derivación (de tipo 3 derivaciones)



7. Trabajo eléctrico

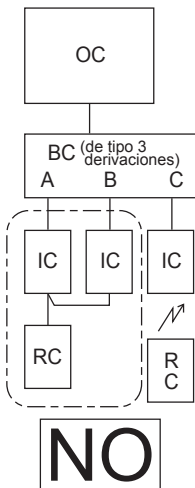
2-4. 2 cajas de derivación (de tipo 5 derivaciones, máximo 8 unidades interiores)



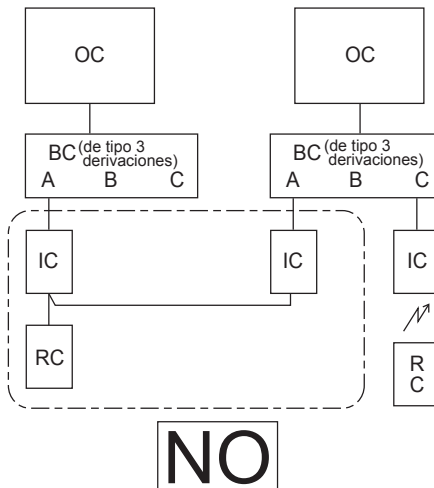
1. Se puede conectar un máximo de 2 cajas de derivación a una unidad exterior.
2. Se puede conectar al sistema un máximo de 8 unidades interiores.

[3] Sistemas incorrectos

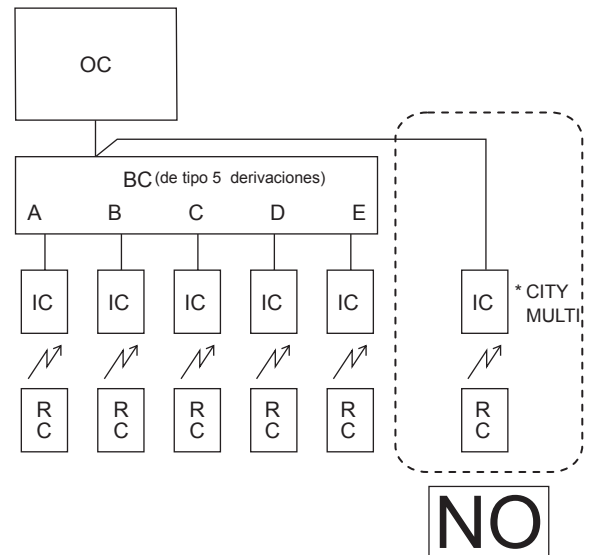
3-1. Funcionamiento agrupado mediante un único controlador remoto



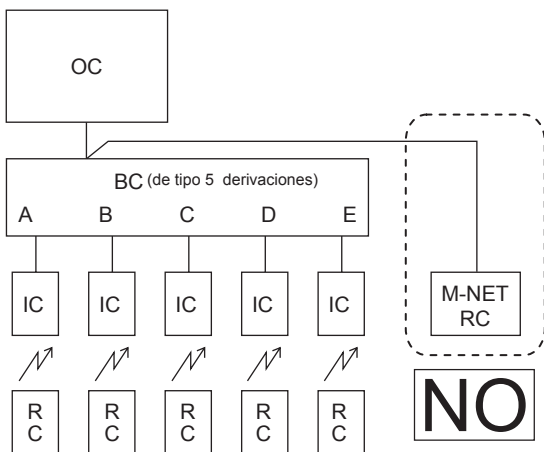
3-2. Funcionamiento agrupado entre distintos sistemas refrigerantes



3-3. Conexión del adaptador M-NET a la unidad exterior



3-4. Conexión del controlador remoto M-NET



- 3-1. Un único controlador remoto no puede hacer funcionar varias unidades interiores.
- 3-2. No se pueden conectar sistemas refrigerantes diferentes.
- 3-3. Las unidades interiores de la serie CITY MULTI no pueden conectarse a las cajas de derivación ni a la unidad exterior.
- 3-4. El controlador remoto M-NET no puede conectarse a este sistema.

7. Trabajo eléctrico

7.4. Conexión de la caja de derivación/cables de unidad exterior y conexión de los cables de alimentación de la unidad exterior

⚠ Atención:

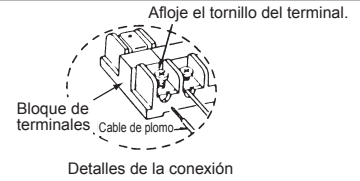
- Asegúrese de ajustar con seguridad las cubiertas del bloque de terminales/panel de la unidad exterior. Si no se ajusta correctamente podría producirse un incendio o una descarga eléctrica por el polvo, el agua, etc.
- Asegúrese de conectar los cables de alimentación y los cables de conexión a las unidades interiores, unidades exteriores y a las cajas de derivación directamente con las unidades (sin ninguna conexión intermedia).

Las conexiones intermedias pueden producir errores de comunicación en caso de que el agua moje los cordones o los cables de conexión y, por consiguiente, provoca un aislamiento insuficiente a tierra así como un contacto eléctrico deficiente en el punto de conexión intermedio.

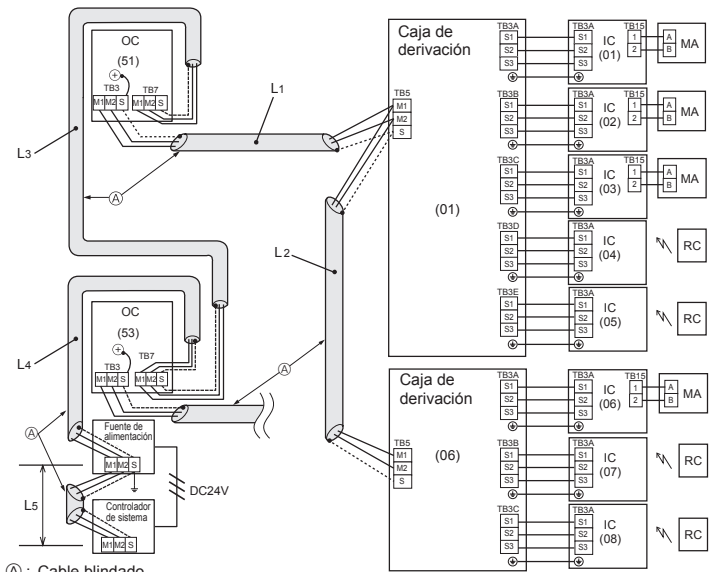
(En caso de necesitar una conexión intermedia, asegúrese de tomar las medidas adecuadas para impedir que el agua se infiltre en los cables.)

⚠ Cuidado:

- Tenga cuidado en no equivocarse en el cableado.
- Ajuste firmemente los tornillos del terminal para evitar que se aflojen.
- Una vez ajustados, tire ligeramente de los cables para asegurarse de que no se muevan.
- Si el cable no está conectado correctamente al bloque de terminales, la unidad no funcionará normalmente.



- Conecte correctamente el cable desde la caja de derivación al bloque de terminales.
- Para facilitar el mantenimiento futuro, añada una longitud suplementaria al cable de conexión.



IMPORTANTE

Asegúrese de que el disyuntor de corriente es compatible con corrientes armónicas más altas.

Utilice siempre un disyuntor de corriente compatible con corrientes armónicas más altas ya que esta unidad está equipada con un conmutador.

El uso de un disyuntor inadecuado puede hacer que el conmutador no funcione correctamente.

Mayor longitud a través de las unidades exteriores:

$$L_1 + L_2 + L_3 + L_4 + L_5 \leq 500 \text{ m (1640 ft.) (1,25 mm}^2 \text{ o superior)}$$

Mayor longitud del cable de transmisión

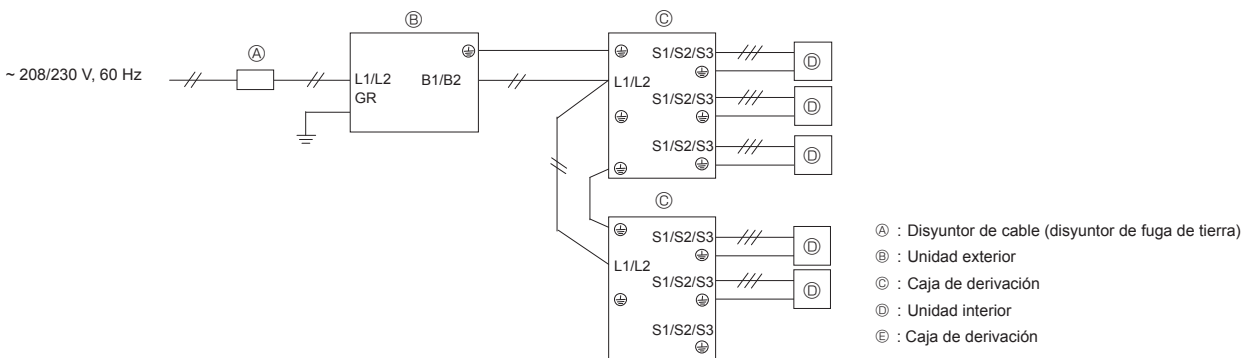
$$L_1 + L_2, L_3, L_3 + L_4, L_5 \leq 200 \text{ m (656 ft.) (1,25 mm}^2 \text{ o superior)}$$

Fig. 7-2

7.5. Cableado del suministro principal de energía y capacidad del equipo

Dibujo esquemático del cableado (ejemplo) (Fig. 7-3)

<Si la corriente eléctrica se recibe desde la unidad exterior>



<Si la corriente eléctrica se recibe por separado>

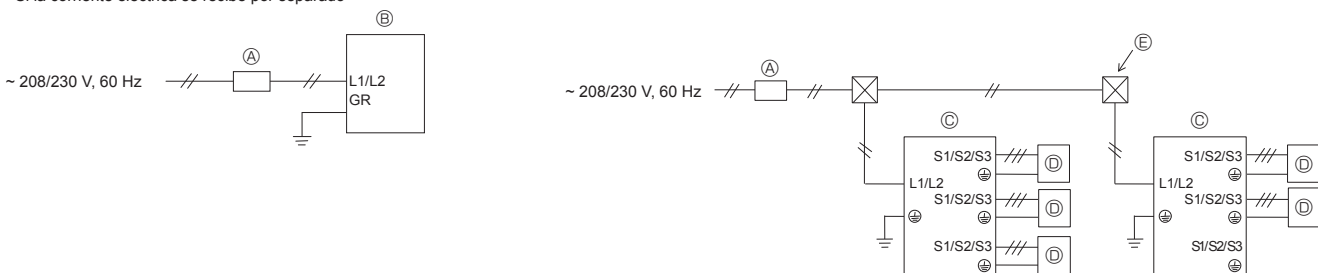


Fig. 7-3

7. Trabajo eléctrico

Grosor del cable para el suministro principal de energía y capacidades on/off

Modelo	Fuente de alimentación	Grosor mínimo del cable (mm ² [AWG])		Disyuntor para cableado*1	Disyuntor para fuga de corriente	Ampacidad mínima del circuito	Límite superior del dispositivo protector de sobrecarga
		Cable principal*2	Toma de tierra				
Unidad exterior	4C36/5C52/ 8C48NAHZ	~ (Monofásicos), 60 Hz, 208/230 V	13,3 [AWG6]	13,3 [AWG6]	50 A	50 A 30 mA 0.1 segundos o menos	52 A
	8C48NA		8,4 [AWG8]	8,4 [AWG8]	40 A	40 A 30 mA 0,1 segundos o menos	52 A
Unidad interior	~ (Monofásicos), 60 Hz, 208/230 V	Consulte el manual de instalación de la unidad interior.					

*1. Utilice un disyuntor automático sin fusible (NF) o disyuntor automático de fugas a tierra (NV) con una separación mínima de contacto de 3,0 mm [1/8 pulg.] en cada uno de los polos.

*2. Utilice cables de alimentación de cobre. Utilice cables eléctricos con una tensión nominal de 300 V.

Intensidad de funcionamiento total de la unidad interior	Grosor mínimo del cable (mm ² /AWG)			Interruptor de falta a tierra *1	Interruptor local (A)		Disyuntor para el cableado (NFB)
	Cable principal	Derivación	Tierra		Capacidad	Fusible	
F0 = 15 A o menos *2	2,1/14	2,1/14	2,1/14	15 A sensibilidad a la corriente *3	15	15	15
F0 = 20 A o menos *2	3,3/12	3,3/12	3,3/12	20 A sensibilidad a la corriente *3	20	20	20
F0 = 30 A o menos *2	5,3/10	5,3/10	5,3/10	30 A sensibilidad a la corriente *3	30	30	30

Aplicar a IEC61000-3-3 aproximadamente máx. impedancia permitida en el sistema.

*1 El interruptor de falta a tierra debería servir de respaldo al circuito del convertidor.

El interruptor de falta a tierra debería combinar el uso de un disyuntor local o un disyuntor de cable.

*2 Tome el valor que sea superior (F1 o F2) como valor para F0.

F1 = Intensidad de funcionamiento total de las unidades interiores × 1,2

F2 = (V1/C)

Unidad interior	V1	V2
Tipo 1 SEZ-KD·NA, PLA-A·BA	19,8	2,4
Tipo 2 PEAD-A·AA	26,9	
Tipo 3 MSZ-FE·NA	9,9	
Tipo 4 MSZ-FH·NA, MSZ-GE·NA	6,8	
Tipo 5 SLZ-KA·NA	3,5	
Tipo 6 MFZ-KA·NA	16,2	
Tipo 7 MVZ-A·AA	26,9	
Tipo 8 Caja de derivación (PAC-MKA·BC)	5,1	

C : Múltiplo de la corriente de activación en un tiempo de activación de 0,01 s

Por favor, calcule la variable "C" en función del grado de activación del interruptor.

<Ejemplo de cálculo para "F2">

*Condición Caja de derivación × 2 + SEZ-KD·A × 5, C = 8 (consulte el gráfico de la derecha)

F2 = 5,1 × 2/8 + 19,8 × 5/8

= 14,9

*3 La sensibilidad de corriente se calcula mediante la siguiente fórmula.

G1 = V2 + V3 × (longitud de cable [km])

G1	Sensibilidad de corriente
30 o menos	30 mA 0,1 s o menos
100 o menos	100 mA 0,1 s o menos

Grosor de cable	V3
1,5 mm ²	48
2,5 mm ²	56
4,0 mm ²	66

- Utilice una fuente de alimentación principal diferente para la unidad exterior y unidad interior.
- Tenga en cuenta las condiciones ambientales (temperatura ambiente, luz solar directa, lluvia, etc.) cuando realice el tendido de cables y las conexiones.
- El tamaño del cable corresponde al valor mínimo para cables de conductos de metal. El cable de alimentación principal debe tener un tamaño más grande teniendo en cuenta las caídas de tensión. Asegúrese que la tensión de la alimentación principal no baje más del 10%.
- Los requisitos específicos sobre el cableado deben adaptarse a las reglamentaciones locales.
- Los cables de alimentación principal de los componentes de aparatos destinados al uso en la intemperie no deben ser más livianos que el cable flexible con revestimiento de policloropreno (diseño 60245 IEC57). Por ejemplo, utilice cables del tipo YZW.
- Instale un cable de toma de tierra más largo que el resto de los cables.

⚠ Atención:

• Si realiza el cableado de control A, el terminal S3 presentará potencial de alto voltaje debido al diseño del circuito eléctrico, que no tendrá aislamiento eléctrico entre la línea de alimentación y la línea de señal de comunicación. Por lo tanto, desconecte la fuente de alimentación principal antes de realizar el mantenimiento. Y nunca toque los terminales S1, S2 ni S3 mientras esté conectada la alimentación. Si es necesario utilizar un aislador entre la unidad exterior y la caja de derivación/la unidad interior y la caja de derivación, utilice el tipo de 2 o 3 polos. (Consulte la siguiente figura).

• Conectar la corriente cuando la temperatura ambiente sea -20 °C (-4°F) o inferior.

• En condiciones de -20 °C (-4 °F) o temperaturas inferiores, son necesarias al menos 4 horas de reposo antes de que las unidades entren en funcionamiento para que se calienten los componentes eléctricos.

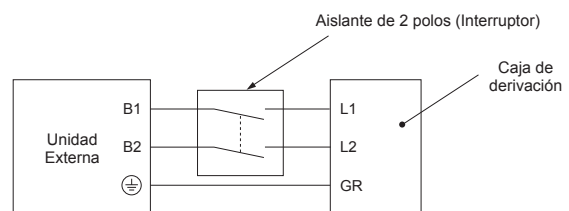
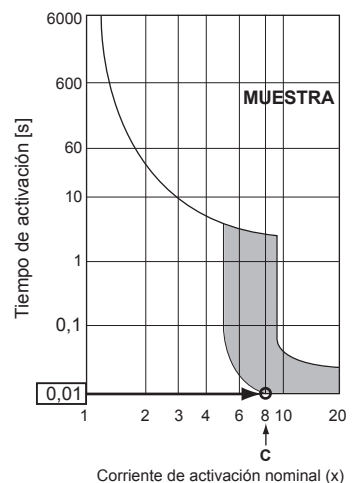


Gráfico de muestra



⚠ Cuidado:

Cuando termine de utilizar el aislante, asegúrese de apagar y volver a encender la alimentación principal para reiniciar el sistema. De lo contrario, es posible que la unidad exterior no pueda detectar la caja o cajas de derivación ni las unidades interiores.



Asegúrese de conectar los cables de conexión entre las unidades exterior e interior y la caja de derivación directamente a las unidades (sin conexiones intermedias). Las conexiones intermedias pueden producir errores de comunicación si el agua penetra en los cables y provoca un aislamiento insuficiente con respecto al suelo o un contacto eléctrico deficiente en el punto de conexión intermedia. (Si se necesita una conexión intermedia, asegúrese de tomar las medidas pertinentes para impedir que el agua se infiltre en los cables.)

Nunca empalme el cable de alimentación o el cable de conexión de la unidad interior-exterior-caja de derivación, ya que si lo hiciera podría provocar humo, un incendio o un error de comunicación.

7. Trabajo eléctrico

7.6. Ajuste de dirección

Ajuste de dirección del interruptor

Unidad Dirección	Exterior	Caja de derivación				Interior																											
		Dirección		Ajuste de conexión																													
Inte- r- ruptor	 SWU2 SWU1	 SW12 SW11		Puerto A B C D E - ON <input type="checkbox"/> <input type="checkbox"/> <input type="checkbox"/> <input type="checkbox"/> <input type="checkbox"/> <input type="checkbox"/>	ON: Conexión interior OFF: Sin conexión	Ninguno																											
				OFF 1 2 3 4 5 6 *			SW1 *SW1-6 no se utilizan																										
intervalo	51 - 100	1 - 50				-	-																										
coloca- ción	Dirección de deriva- ción + 50	• De acuerdo con la dirección ajustada (por ejemplo, 01), las direcciones para las unidades interiores conectadas se ajustan secuencialmente (por ejemplo, 02, 03, 04 y 05).				• Especifique si las unidades interiores están conecta- das a cada puerto (A, B, C, D y E).																											
		<table border="1"> <tr><td>SW1</td><td>1</td><td>2</td><td>3</td><td>4</td><td>5</td><td></td></tr> <tr><td></td><td>ON</td><td>ON</td><td>ON</td><td>ON</td><td>ON</td><td></td></tr> </table>	SW1	1	2	3	4	5			ON	ON	ON	ON	ON		<table border="1"> <tr><td>SW1</td><td>1</td><td>2</td><td>3</td><td>4</td><td>5</td><td>(6)</td></tr> <tr><td>Puerto</td><td>A</td><td>B</td><td>C</td><td>D</td><td>E</td><td>(no se utiliza)</td></tr> </table>		SW1	1	2	3	4	5	(6)	Puerto	A	B	C	D	E	(no se utiliza)	No hay ajustes de dirección para las unidades interiores.
		SW1	1	2	3	4	5																										
	ON	ON	ON	ON	ON																												
SW1	1	2	3	4	5	(6)																											
Puerto	A	B	C	D	E	(no se utiliza)																											
<table border="1"> <tr><td>Puerto</td><td>A</td><td>B</td><td>C</td><td>D</td><td>E</td></tr> <tr><td>Dirección</td><td>01</td><td>02</td><td>03</td><td>04</td><td>05</td></tr> </table>	Puerto	A	B	C	D	E	Dirección	01	02	03	04	05	Las unidades interiores están conectadas ON Las unidades interiores no están conectadas OFF																				
Puerto	A	B	C	D	E																												
Dirección	01	02	03	04	05																												
(SW11, 12) (números secuenciales)																																	

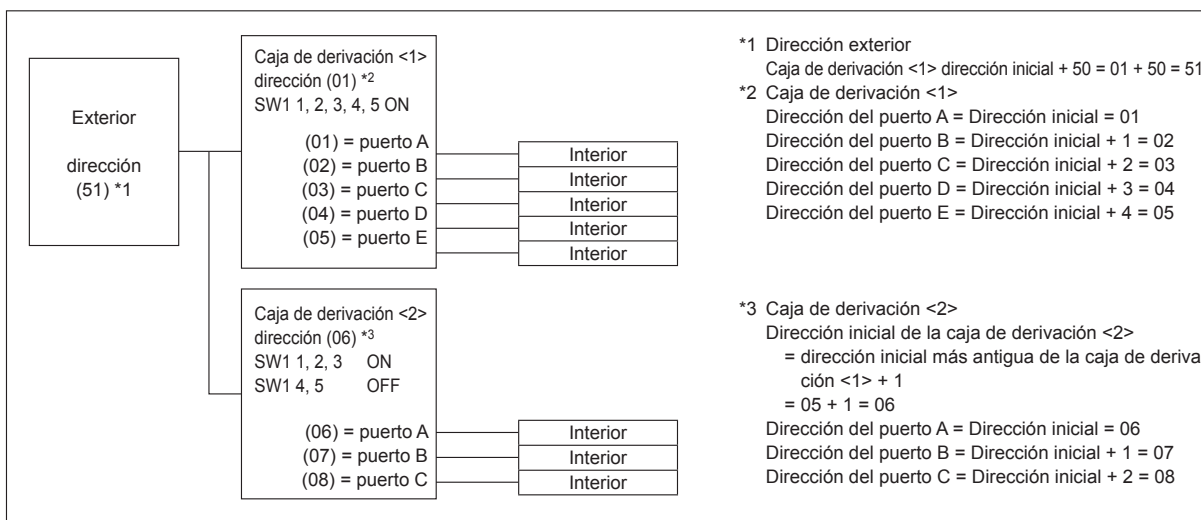
Nota: 1. Dirección de la caja de derivación

Cuando ajuste la dirección, utilice un número dentro del intervalo 1-50.

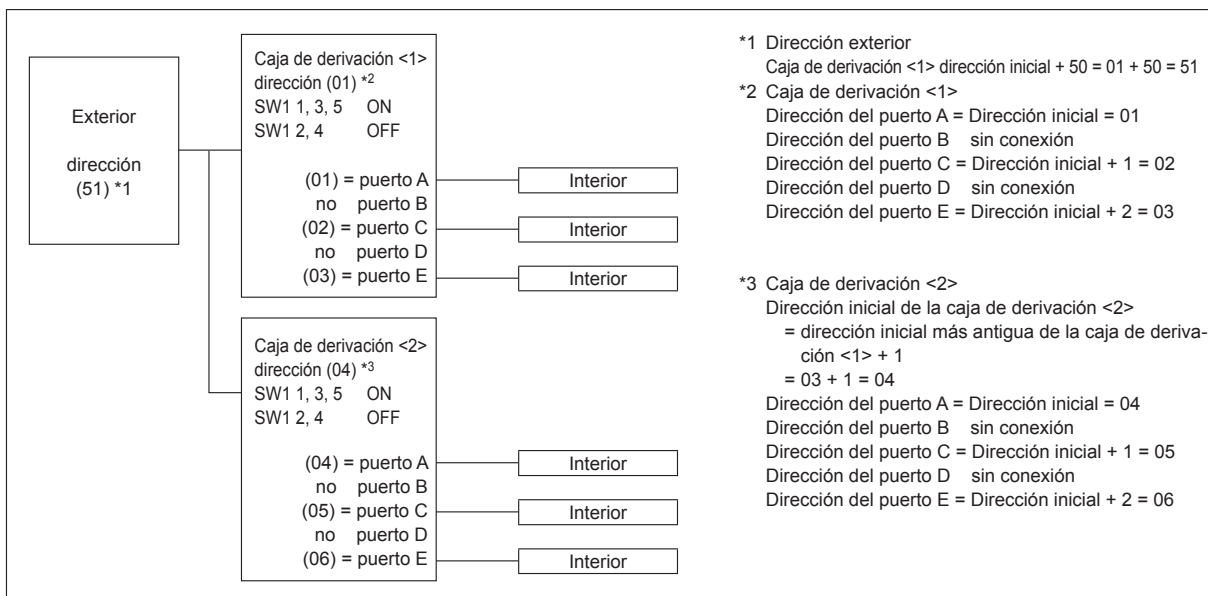
Ej. La dirección ajustada es (47) y hay 5 unidades interiores (A, B, C, D y E).

Si A: (47), B: (48), C: (49), D: (50) y E: (51), E es incorrecta porque supera 50.

Ej1. Exterior + Derivación <1> (Interior A, B, C, D, E) + Derivación <2> (Interior A, B, C)



Ej2. Exterior + Derivación <1> (Interior A, C, E) + Derivación <2> (Interior A, C, E)



8. Prueba de funcionamiento

8.1. Antes de realizar las pruebas

- ▶ Después de la instalación de tubos y cables en las unidades interior y exterior, compruebe que no haya escapes de refrigerante, que no se haya aflojado ni la fuente de alimentación ni el cableado de control, que la polaridad no sea errónea y que no se haya desconectado ninguna fase de la alimentación.
- ▶ Utilice un probador megaohmímetro de 500 voltios para comprobar que la resistencia entre los terminales de alimentación y la tierra es como mínimo de 1 MΩ.
- ▶ No efectúe esta prueba en los bornes de los cables de control (circuito de bajo voltaje).

⚠ Atención:

No utilice el aire acondicionado si la resistencia de aislamiento es inferior a 1 MΩ.

Resistencia del aislamiento

Después de la instalación, o después de un prolongado período de desconexión del aparato, la resistencia del aislamiento será inferior a 1 MΩ debido a la acumulación de refrigerante en el compresor. Esto no es una avería. Siga los siguientes pasos:

1. Retire los cables del compresor y mida la resistencia del aislamiento del compresor.
2. Si la resistencia del aislamiento es menor de 1 MΩ, el compresor está dañado o la resistencia ha descendido por la acumulación de refrigerante en el compresor.
3. Después de conectar los cables al compresor, éste empezará a calentarse después de volver a restablecerse el suministro de corriente. Después de restablecer la corriente según los intervalos que se detallan a continuación, vuelva a medir la resistencia del aislamiento.

- La resistencia del aislamiento se reduce debido a la acumulación de refrigerante en el compresor. La resistencia volverá a subir por encima de 1 MΩ después de que el compresor haya funcionado durante 4 horas. (El tiempo requerido para calentar el compresor varía según las condiciones atmosféricas y la acumulación de refrigerante.)
 - Para hacer funcionar un compresor con refrigerante acumulado, se debe calentar durante al menos 12 horas para evitar que se averíe.
4. Si la resistencia del aislamiento es superior a 1 MΩ, el compresor no está averiado.

⚠ Precaución:

- El compresor no funcionará a menos que la conexión de fase de la fuente de alimentación sea correcta.
- Conecte la corriente al menos 12 horas antes de que empiece a funcionar el equipo.
- Si se acciona inmediatamente después de haberlo conectado a la corriente, pueden producirse daños graves en las piezas internas. Mantenga la unidad conectada a la corriente durante la temporada de funcionamiento.

▶ También debe comprobar lo siguiente.

- La unidad exterior no está averiada. El indicador LED en el cuadro de control de la unidad exterior parpadea cuando esta está averiada.
- Tanto las válvulas de gas como las de líquido están completamente abiertas.

8.2. Prueba de funcionamiento

8.2.1. Uso del control remoto

Consulte el manual de instalación de la unidad interior.

- Asegúrese de realizar la prueba de funcionamiento en cada unidad interior. Asegúrese de que cada unidad interior funciona correctamente siguiendo el manual de instalación que se entrega con la unidad.
- Si realiza la prueba de funcionamiento en todas las unidades interiores a la vez, no podrá detectar si existe alguna conexión errónea en los tubos del refrigerante y en los cables de conexión.
- * El compresor no funciona durante tres minutos como mínimo después del encendido del interruptor.
- Puede que el compresor emita un ruido cuando se enciende el interruptor o en caso de que la temperatura externa del aire sea baja.

Acerca del mecanismo de protección de la puesta en marcha

Cuando se para el compresor, se desencadena el dispositivo preventivo de puesta en marcha para que el compresor permanezca inactivo durante 3 minutos como medida de protección del aparato.

8.2.2. Al usar SW3 en la unidad exterior

Notas:

En caso de realizar la prueba de funcionamiento desde la unidad exterior, todas las unidades interiores se ponen en funcionamiento. Por consiguiente, no podrá detectar si existe alguna conexión errónea en los tubos del refrigerante y en los cables de conexión. Si lo que desea es comprobar que no exista una conexión errónea, asegúrese de efectuar la prueba de funcionamiento desde el control remoto; para ello, consulte la sección "8.2.1. Uso del control remoto".

SW3-1	ON	Funcionamiento del enfriamiento
SW3-2	OFF	
SW3-1	ON	Funcionamiento del de la calefacción
SW3-2	ON	

- * Después de la realización de las pruebas, ponga SW3-1 en OFF.
 - A los pocos segundos de funcionar el compresor, se puede oír un pequeño sonido metálico del interior de la unidad exterior. El sonido lo produce la válvula de retención por la pequeña diferencia de presión de las tuberías. La unidad no está averiada.
- El modo de prueba de funcionamiento no se puede cambiar por el conmutador DIP SW3-2 durante la prueba. (Para cambiar el modo de prueba de funcionamiento durante la prueba, pare la prueba con el conmutador DIP SW3-1. Después de cambiar el modo de prueba de funcionamiento, reanude la prueba con el conmutador SW3-1.)

8.3. Recuperación de refrigerante (vaciado)

Lleve a cabo los siguientes procedimientos para recuperar el refrigerante cuando traslade la unidad interior o exterior.

- ① Desactive el disyuntor.
 - ② Conecte la parte de baja presión del manómetro a la abertura de la válvula de retención de gas.
 - ③ Cierre la válvula de parada de líquido.
 - ④ Conecte la fuente de alimentación (disyuntor).
- * La comunicación entre la unidad interior y la exterior se inicia aproximadamente 3 minutos después de conectar la alimentación (disyuntor). Inicie la operación de vaciado entre 3 y 4 minutos después de que se haya conectado la alimentación (disyuntor).
- ⑤ Confirme que SW3-2 esté en OFF y luego ponga SW3-1 en ON para realizar la prueba de funcionamiento de enfriamiento. El compresor (unidad exterior) y los ventiladores (unidades interior y exterior) se ponen en marcha y se inicia el funcionamiento de prueba del modo de refrigeración. Inmediatamente después de realizar la prueba de funcionamiento de enfriamiento, ponga la posición del conmutador de servicio exterior SW2-4 (conmutador de vaciado) de OFF a ON.
- * No permita que siga funcionando durante mucho tiempo con el interruptor SW2-4 en la posición ON. Asegúrese de colocarlo en la posición OFF después de haber finalizado el vaciado.

- ⑥ Cierre por completo la válvula de parada de la tubería de gas cuando el indicador de presión descienda 7,1 - 0,0 PSIG (aproximadamente 0,5 - 0,0 kgf/cm²).
 - ⑦ Ponga SW3-1 en OFF para detener el funcionamiento del acondicionador de aire. (Cambie el conmutador de servicio exterior SW2-4 de ON a OFF.)
 - ⑧ Desconecte la fuente de alimentación (disyuntor).
- * Si se ha añadido demasiado refrigerante al sistema acondicionador de aire, es posible que la presión no descienda a 7,1 PSIG (0,5 kgf/cm²). Si esto ocurre, utilice el recogedor de refrigerante para recoger todo el refrigerante del sistema y, a continuación, una vez que las unidades interior y exterior se hayan reubicado, vuelva a recargar el sistema con la cantidad adecuada de refrigerante.

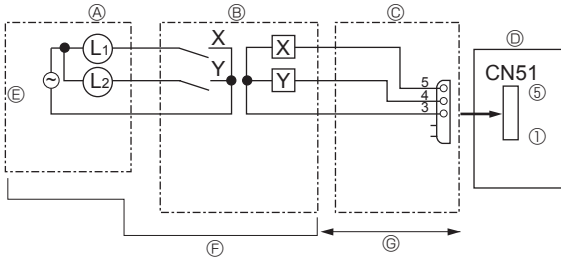
⚠ Atención:

Al realizar el vaciado del refrigerante, detenga el compresor antes de desconectar las tuberías de refrigerante. El compresor podría explotar y causar lesiones si penetrara alguna sustancia extraña, como por ejemplo aire, en el sistema.

9. Funciones especiales

9.1. CONECTOR DE ENTRADA/SALIDA DE LA UNIDAD EXTERIOR

• Estado (CN51)

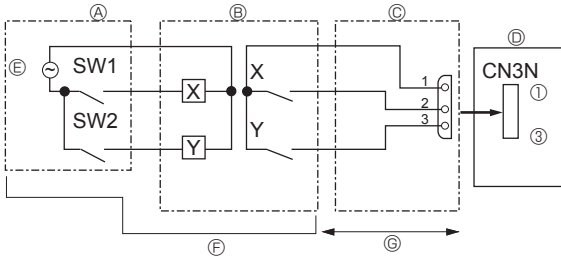


- Ⓐ Cuadro de control a distancia
- Ⓑ Circuito disyuntor
- Ⓒ Adaptador de salida externo (PAC-SA88HA-E)
- Ⓓ Cuadro de control de la unidad externa

- Ⓔ Luz de la fuente de alimentación
- Ⓕ Adquirir localmente
- Ⓖ Máx. 10 m

L1: Luz de indicación de error
 L2: Luz de funcionamiento del compresor
 X, Y: Relé (bobina estándar de 0,9 W o menos para 12 V CC)
 X, Y: Relé (1 mA CC)

• Cambio automático (CN3N)

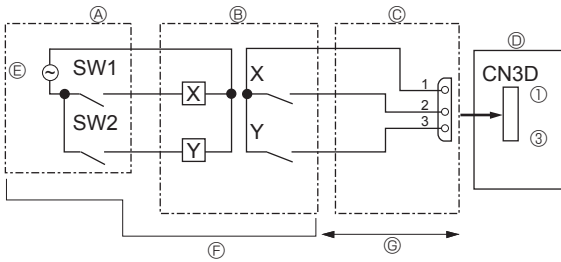


- Ⓐ Panel de control a distancia
- Ⓑ Circuito disyuntor
- Ⓒ Adaptador de salida externo (PAC-SC36NA-E)
- Ⓓ Cuadro de control de la unidad externa

- Ⓔ Luz de la fuente de alimentación
- Ⓕ Adquirir localmente
- Ⓖ Máx. 10 m

	ON	OFF
SW1	Calefacción	Refrigeración
SW2	Validez de SW1	Invalidez de SW1

• Modo silencioso / Control de demanda (CN3D)



- Ⓐ Panel de control a distancia
- Ⓑ Circuito disyuntor
- Ⓒ Adaptador de salida externo (PAC-SC36NA-E)
- Ⓓ Cuadro de control de la unidad externa

- Ⓔ Luz de la fuente de alimentación
- Ⓕ Adquirir localmente
- Ⓖ Máx. 10 m

El modo silencioso y el control de demanda se seleccionan cambiando el interruptor DIP 9-2 en la placa del controlador exterior. Puede ajustarlo al siguiente consumo de energía (comparado con los índices) ajustando SW1, 2.

	Placa del controlador exterior DIP SW9-2	SW1	SW2	Función
Modo silencioso	OFF	ON	-	Funcionamiento en modo silencioso
Control de demanda	ON	OFF	OFF	100 % (Normal)
		ON	OFF	75 %
		ON	ON	50 %
		OFF	ON	0 % (Detenido)

This product is designed and intended for use in the residential,
commercial and light-industrial environment.

Please be sure to put the contact address/telephone number on
this manual before handing it to the customer.



MITSUBISHI ELECTRIC CORPORATION

HEAD OFFICE: TOKYO BLDG., 2-7-3, MARUNOUCHI, CHIYODA-KU, TOKYO 100-8310, JAPAN