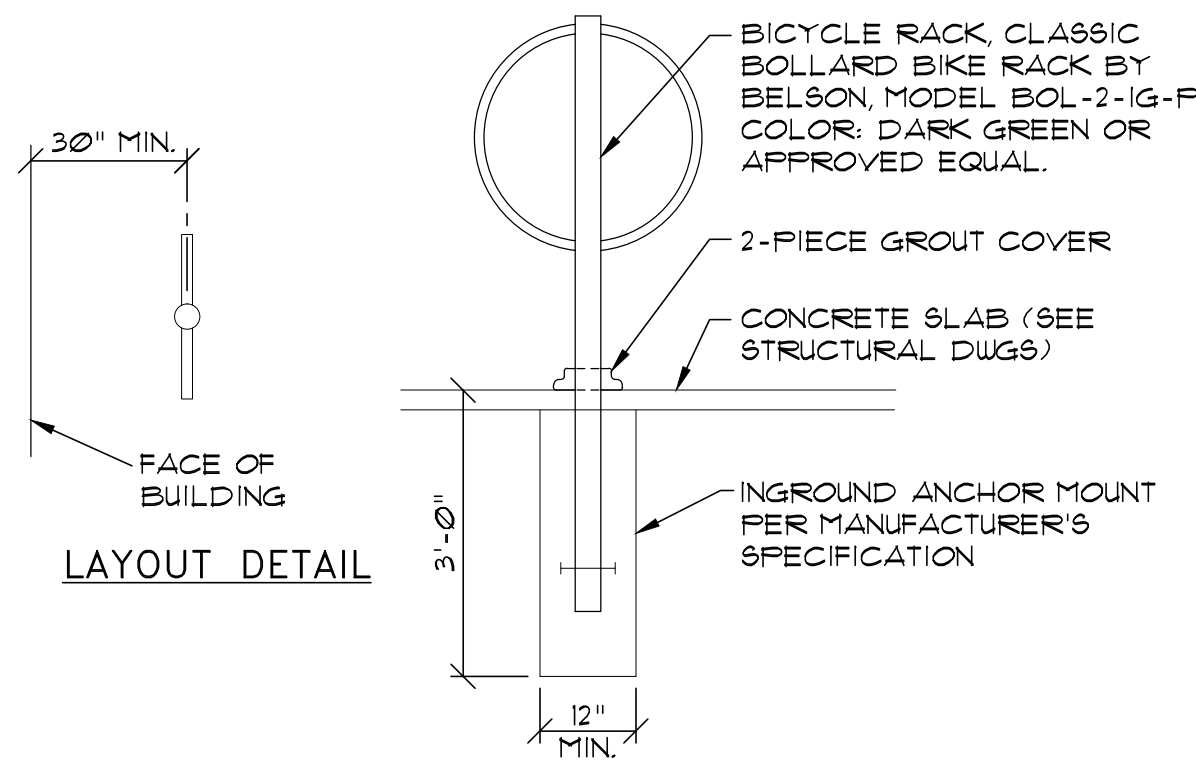
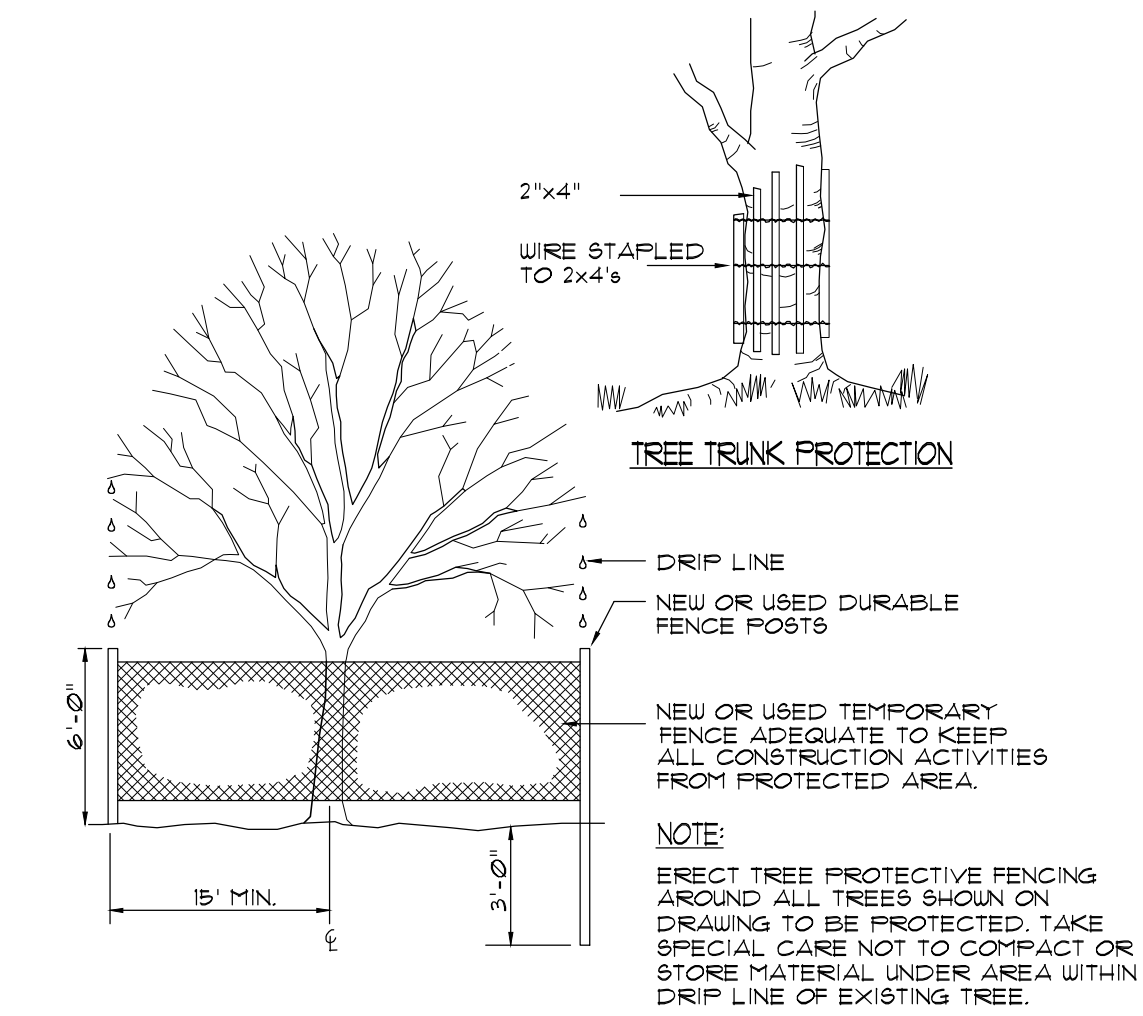


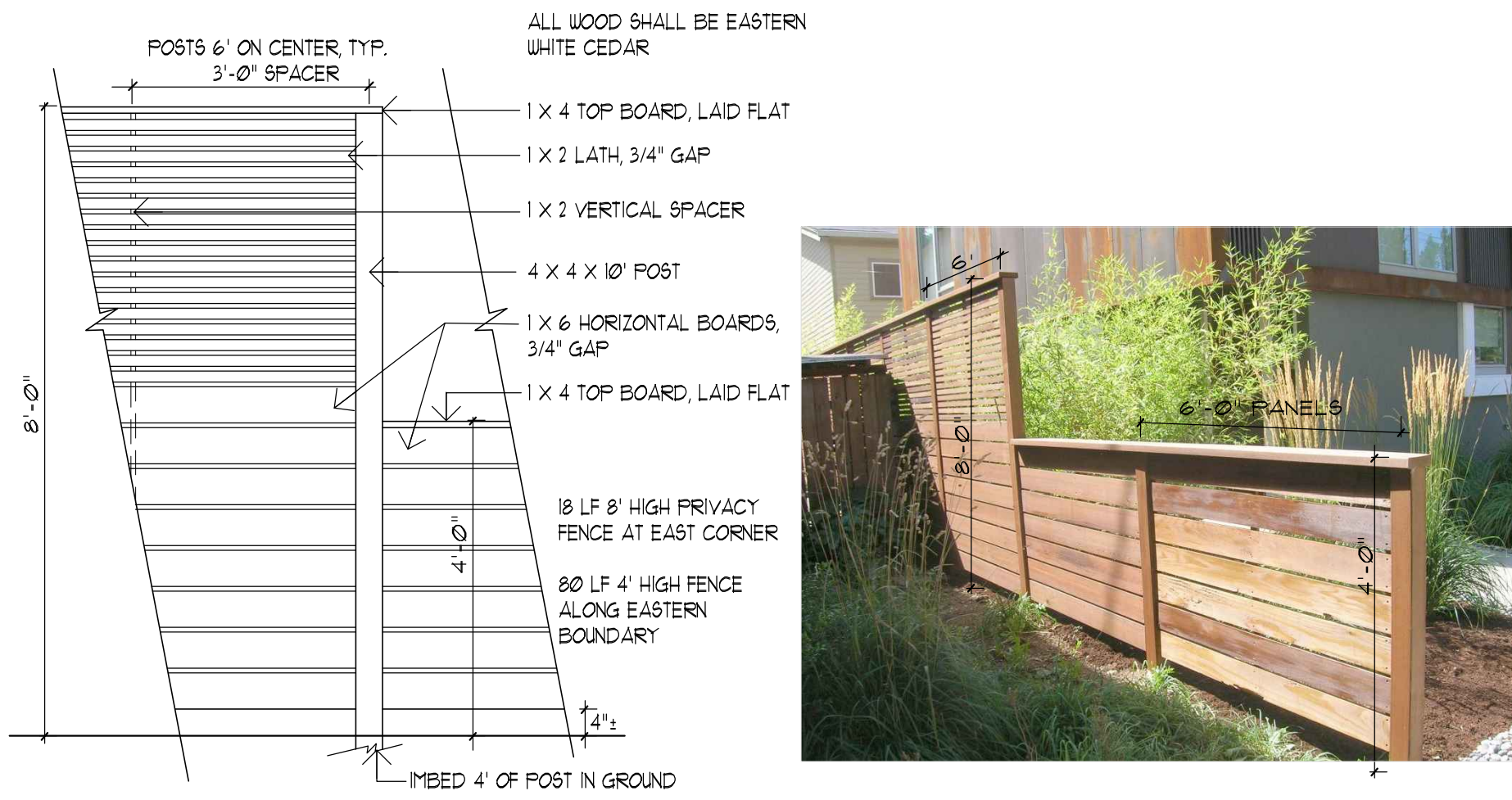
1  
L2.0  
NOT TO SCALE  
CITY OF PORTLAND BRICK SIDEWALK/CURB DETAIL



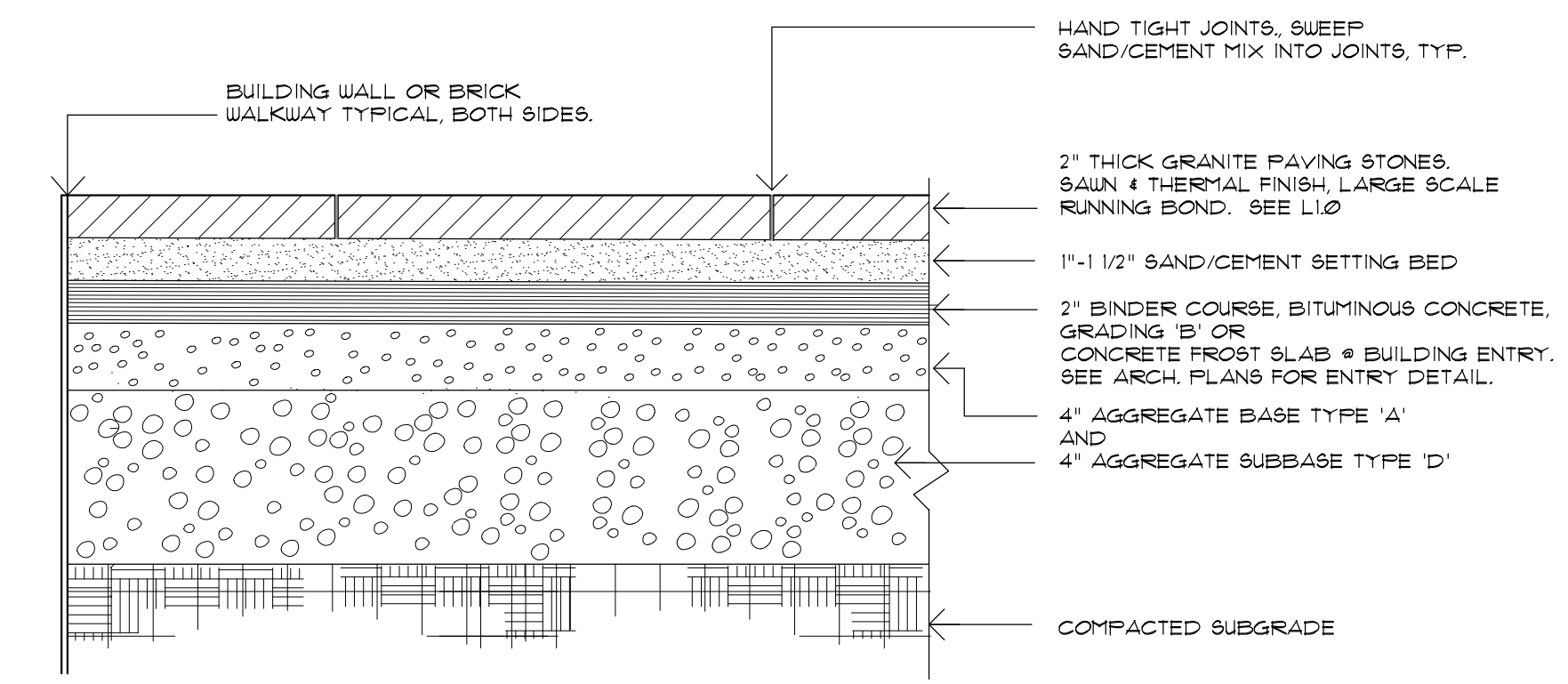
3  
L2.0  
NOT TO SCALE  
CITY OF PORTLAND BIKE RACK



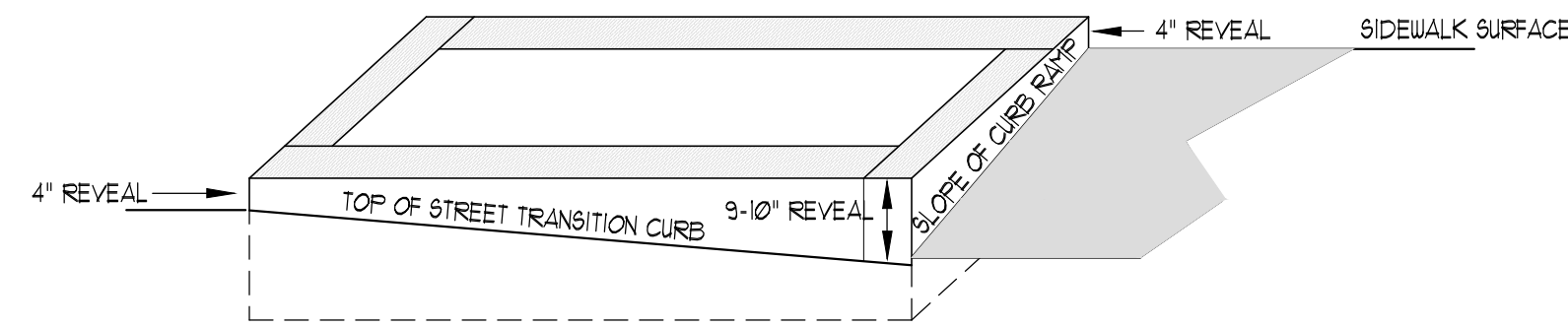
7  
L2.0  
NOT TO SCALE  
EXISTING TREE PROTECTIVE FENCING (FOR PIN OAK)



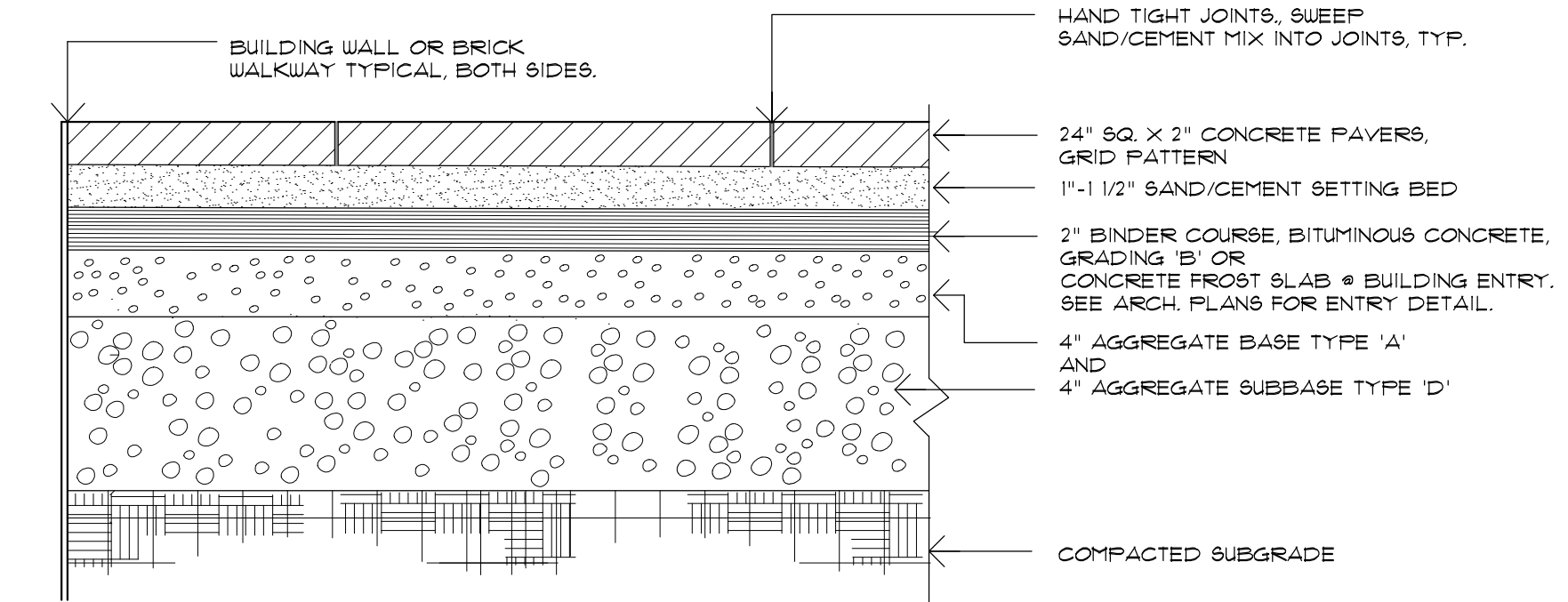
4  
L2.0  
NOT TO SCALE  
WOOD PRIVACY FENCE



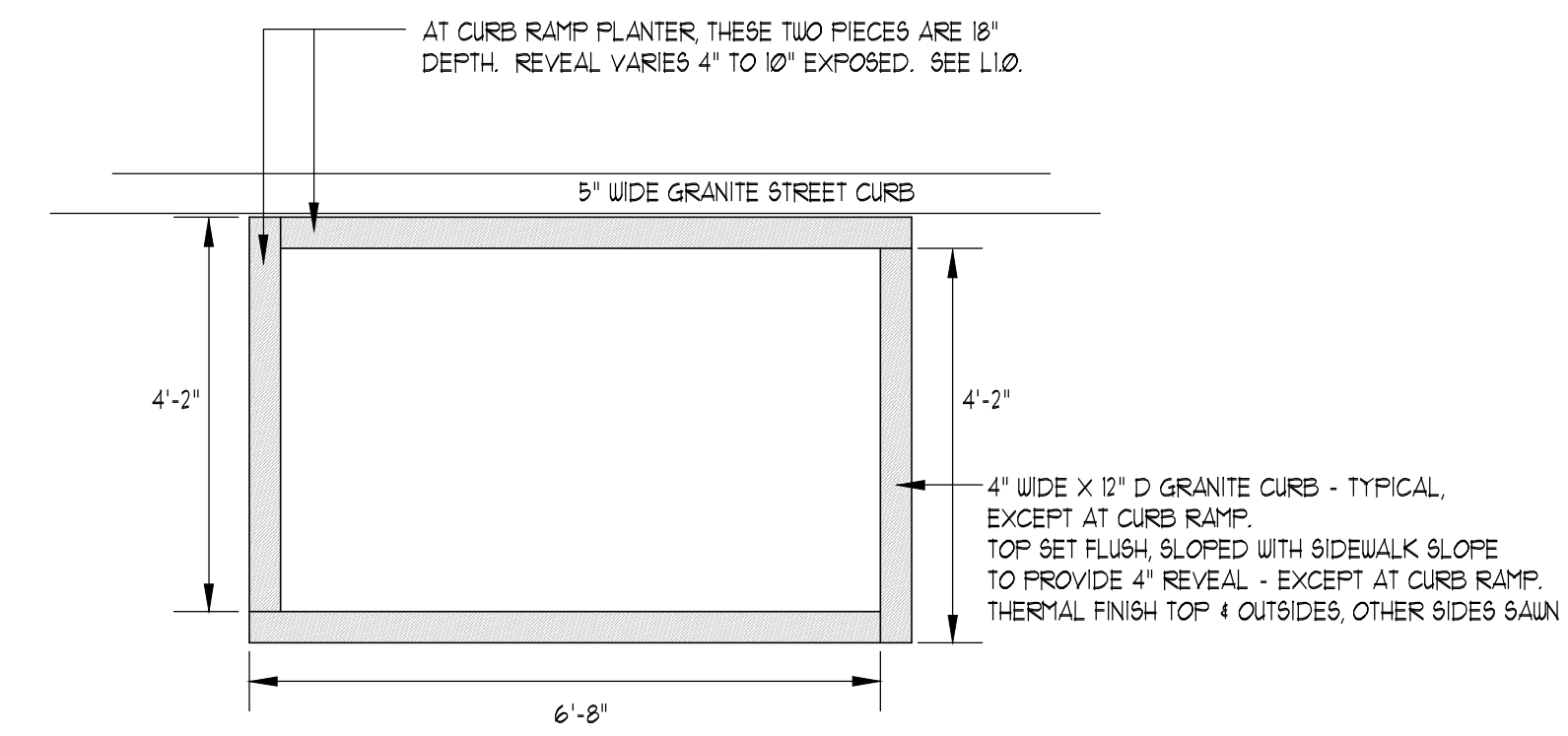
8  
L2.0  
NOT TO SCALE  
GRANITE PAVER SECTION - MAIN BUILDING ENTRIES



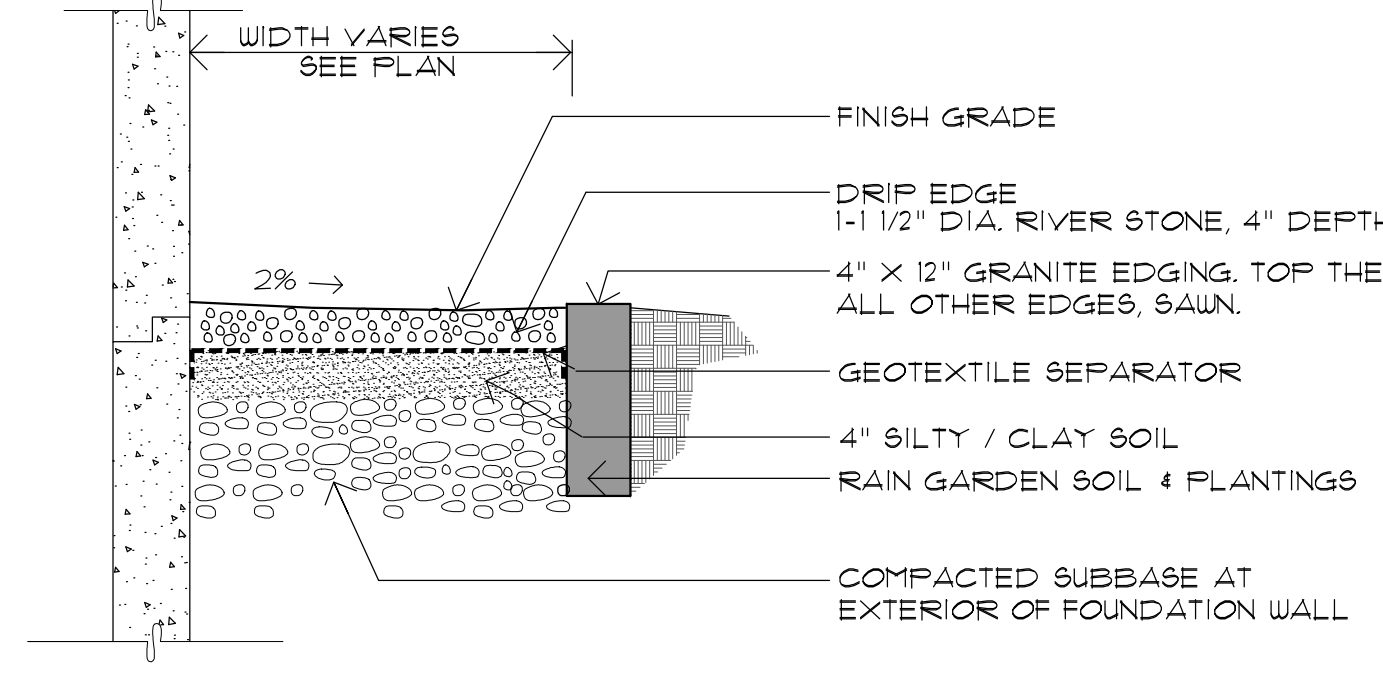
5  
L2.0  
NOT TO SCALE  
RAISED GRANITE PLANTER - ISOMETRIC VIEW (AT CURB RAMP ON CONGRESS STREET)



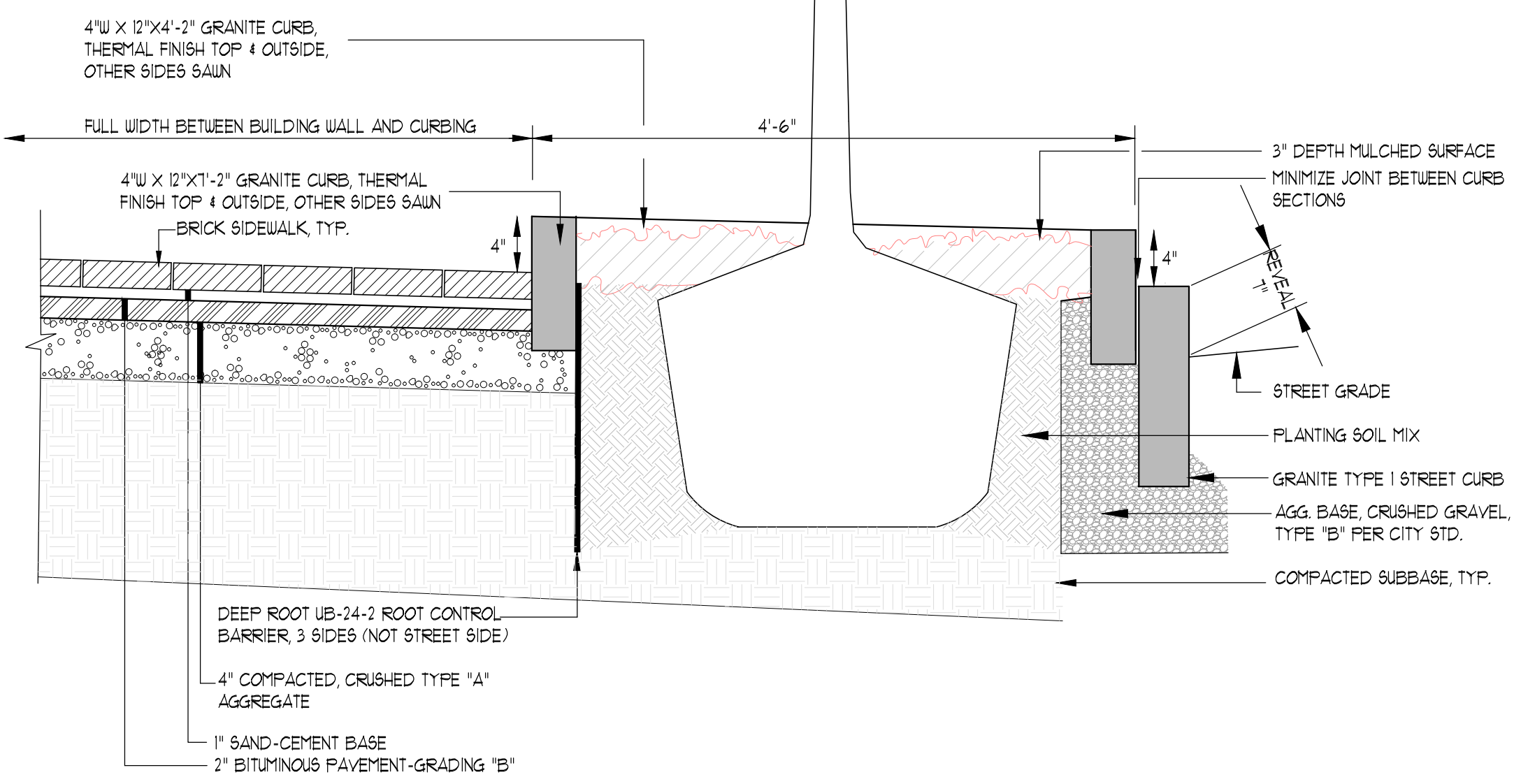
9  
L2.0  
NOT TO SCALE  
CONCRETE PAVER SECTION (SOUTH WALK)



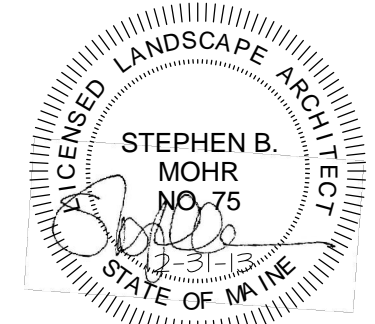
6  
L2.0  
NOT TO SCALE  
RAISED GRANITE PLANTER - PLAN VIEW



10  
L2.0  
NOT TO SCALE  
MAINTENANCE ACCESSWAY / RAIN GARDEN EDGE SECTION



2  
L2.0  
NOT TO SCALE  
RAISED SIDEWALK PLANTER SECTION



MOHR & SEREDIN  
Landscape Architects, Inc.  
18 Pleasant Street, Portland, Maine 04101  
ph: 1.207.871.0003  
fax: 1.207.871.1419

Consultants:  
Architecture:  
Archetype  
48 Union Wharf  
Portland, Maine 04101  
207.772.6022  
  
Civil Engineering:  
Pinkham & Greer Consulting  
Engineers  
28 Vannah Avenue  
Portland, Maine 04103  
207.781.5242

118 ON MUNJOY HILL  
118 Congress Street, Portland, Maine

Title:  
LANDSCAPE DETAILS

No.	Date	Revision

Job # 842  
Date: Dec. 31, 2013  
Scale: As Noted  
Drawn: SB  
Checked: SM  
Dwg. No.  
**L2.0**