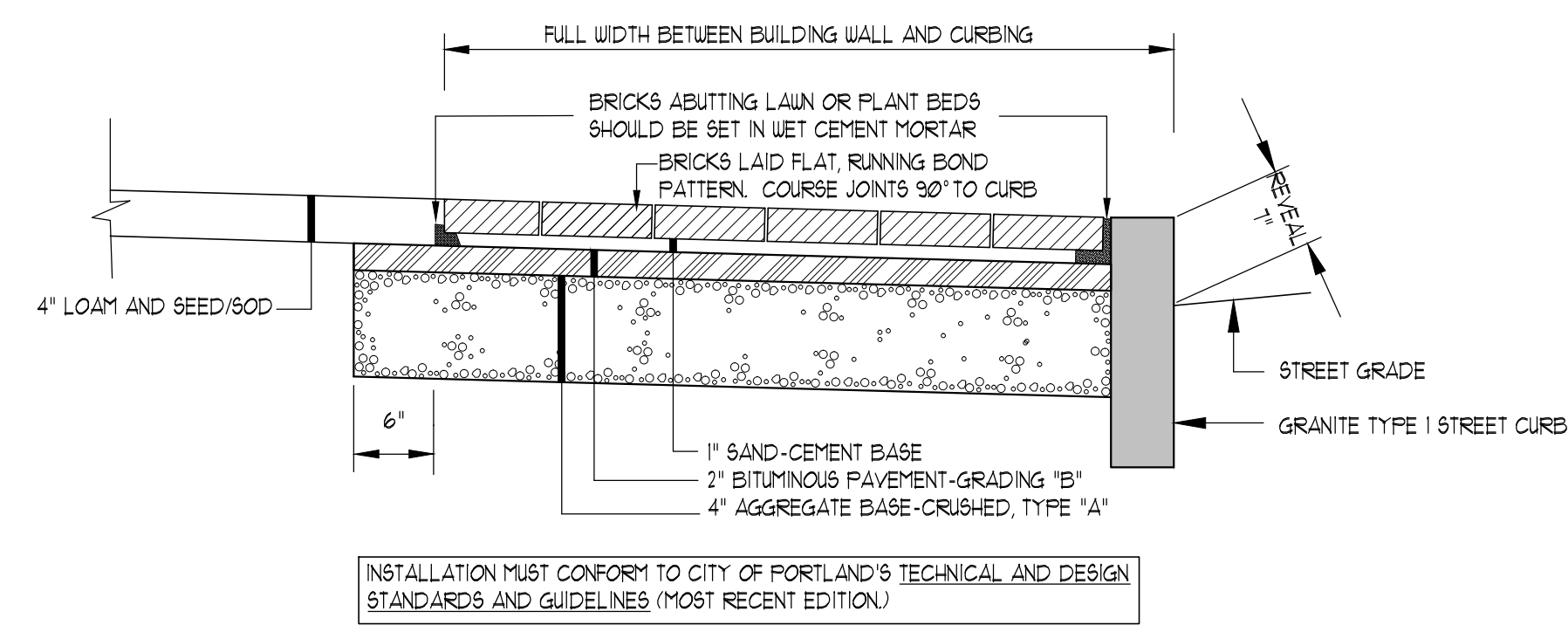


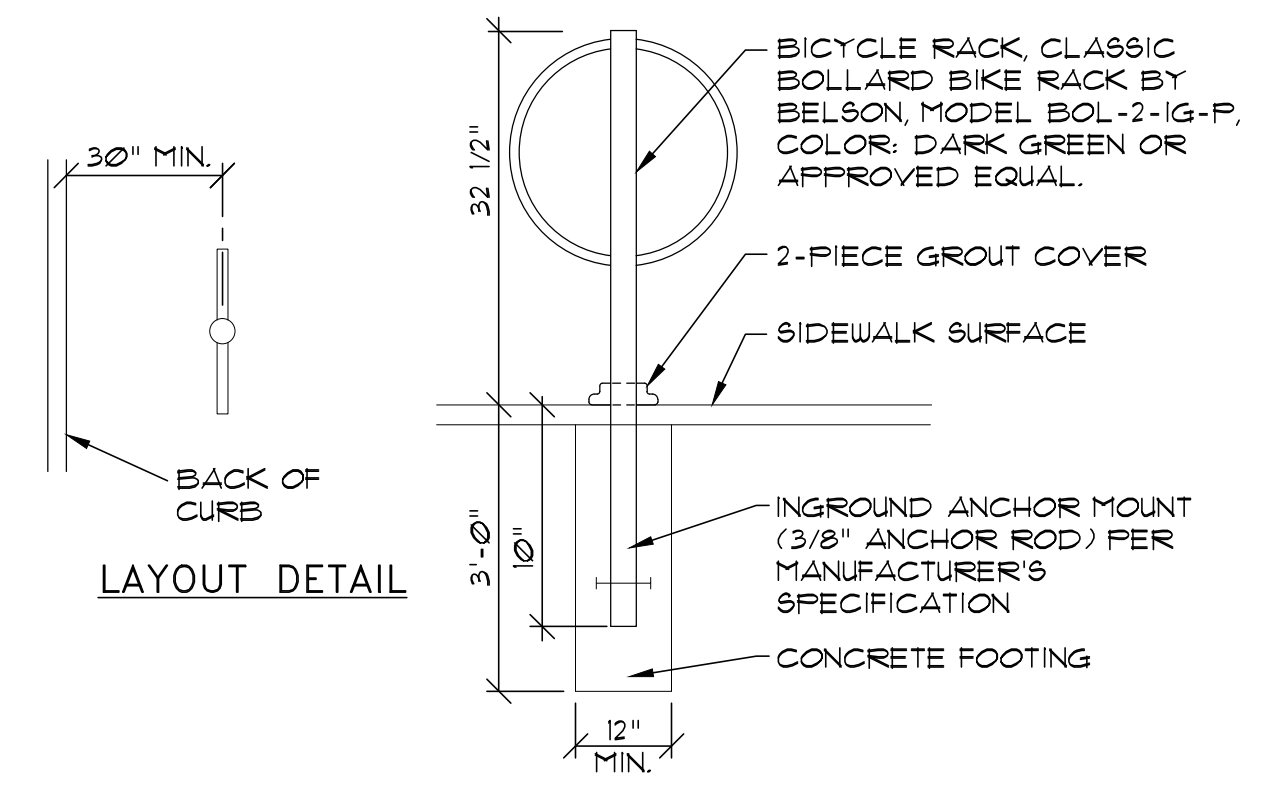
MOHR & SEREDIN
Landscape Architects, Inc.
18 Pleasant Street, Portland, Maine 04101
ph: 1.207.871.0003
fax: 1.207.871.1419

Consultants:
Architecture:
Archetype
48 Union Wharf
Portland, Maine 04101
207.772.6022
Civil Engineering:
Pinkham & Greer
Consulting Engineers
28 Vannah Avenue
Portland, Maine 04103
207.781.5242

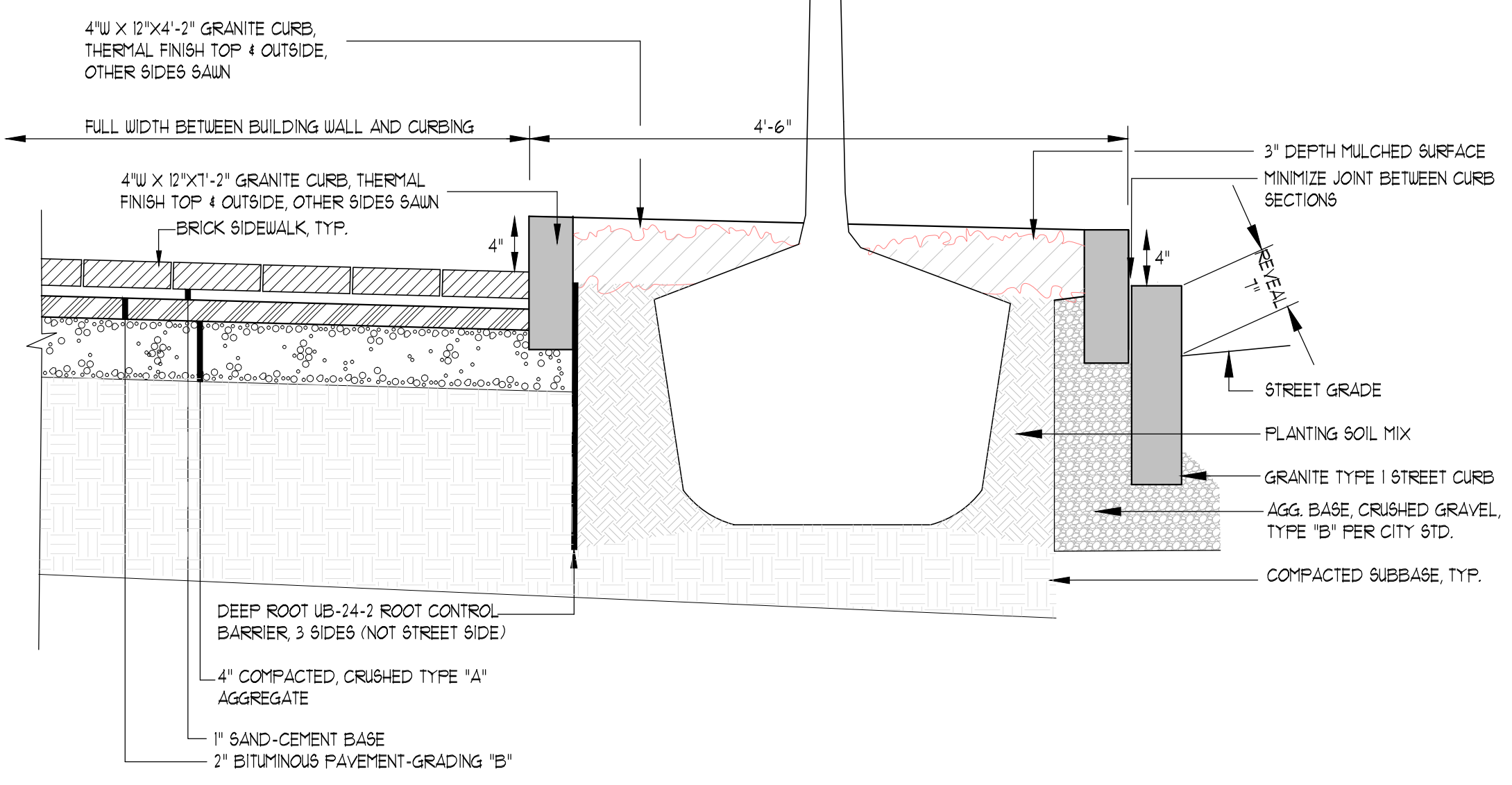
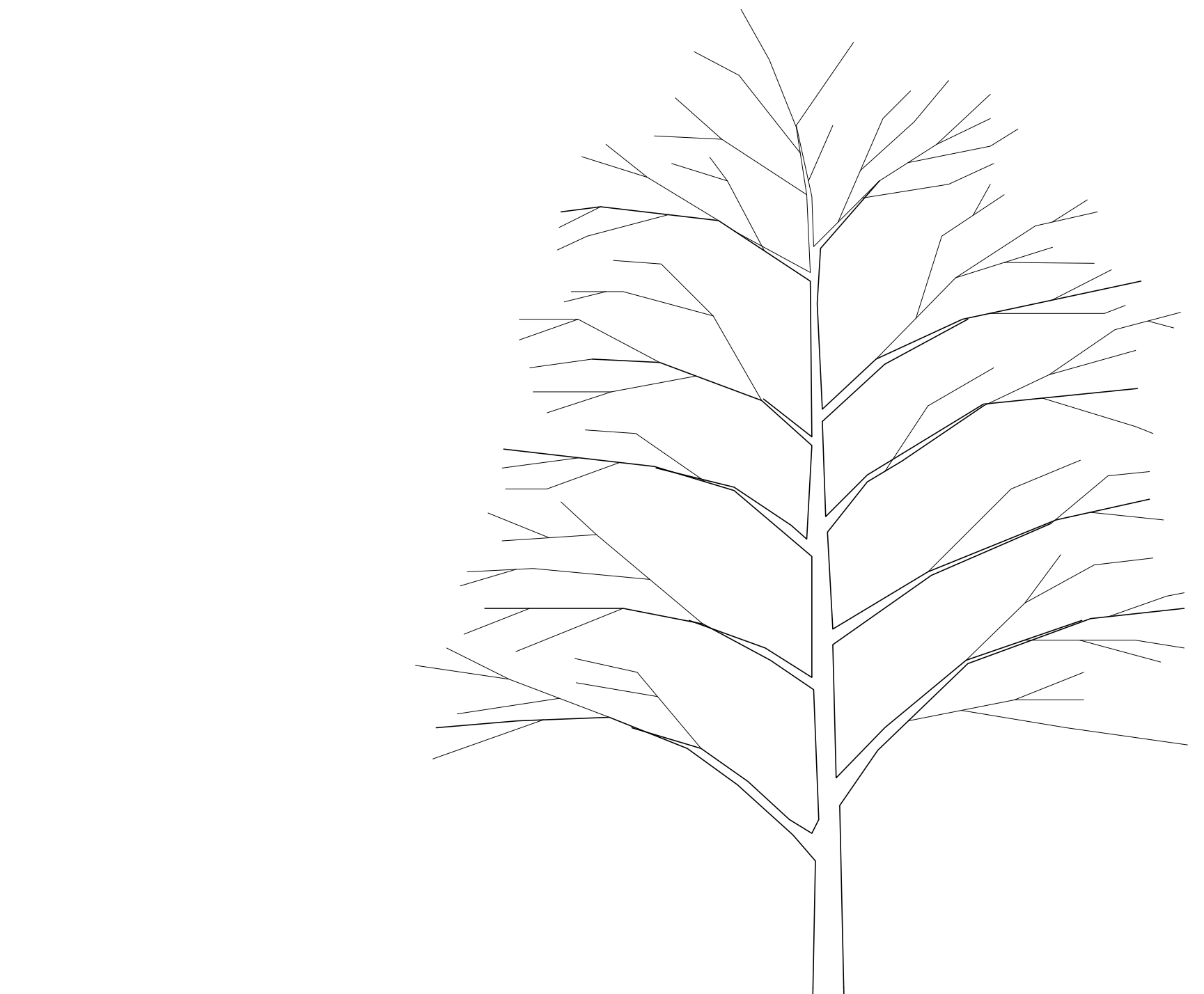
118 ON MUNJOY HILL
118 Congress Street, Portland, Maine



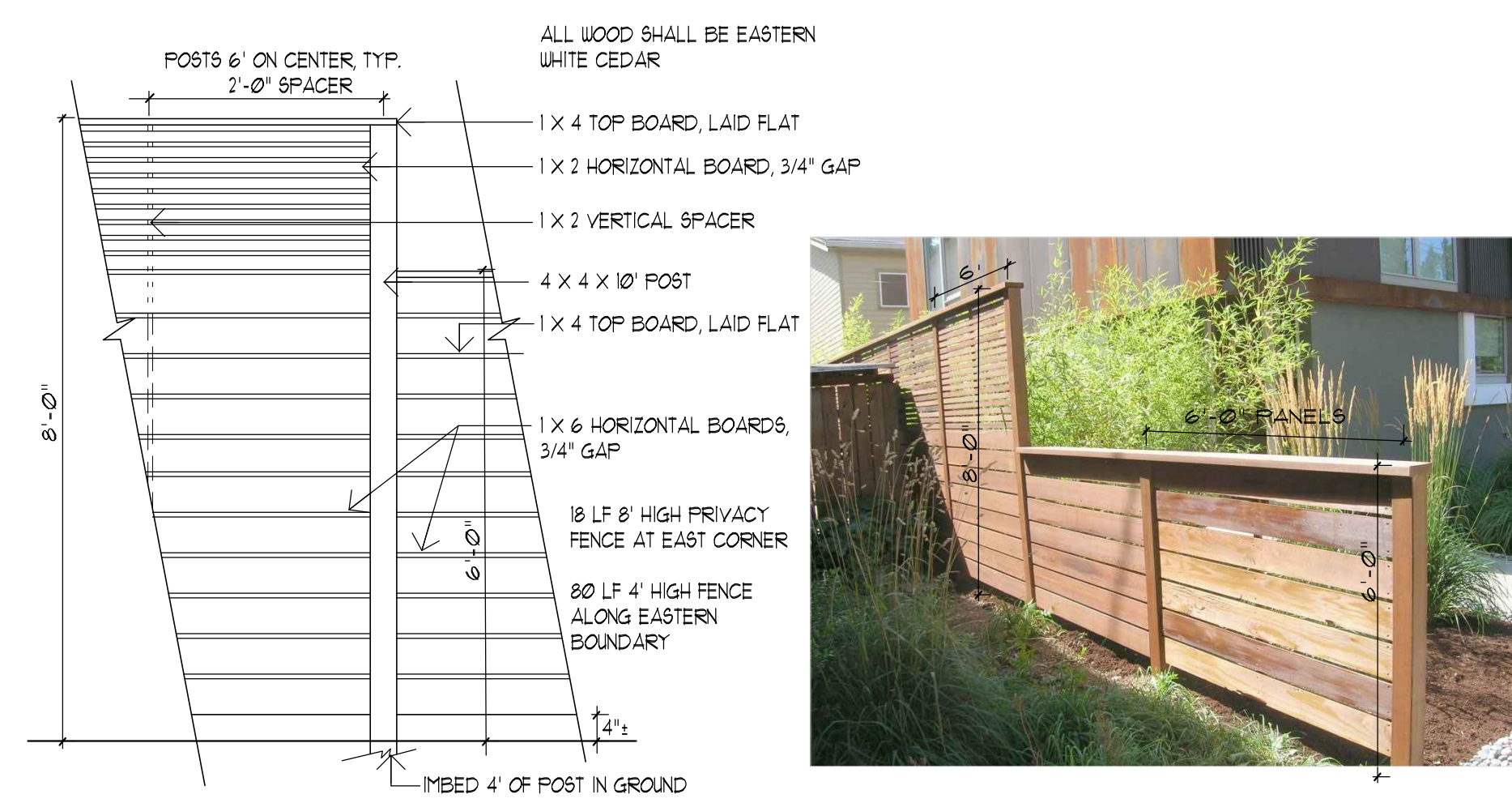
1 CITY OF PORTLAND BRICK SIDEWALK/CURB DETAIL
L2.0 NOT TO SCALE



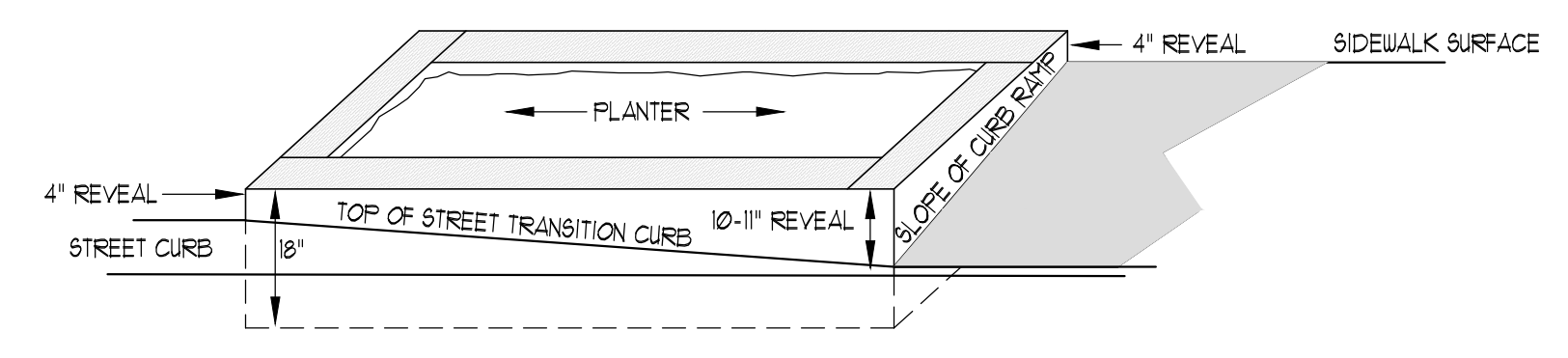
3 CITY OF PORTLAND BIKE RACK
L2.0 NOT TO SCALE



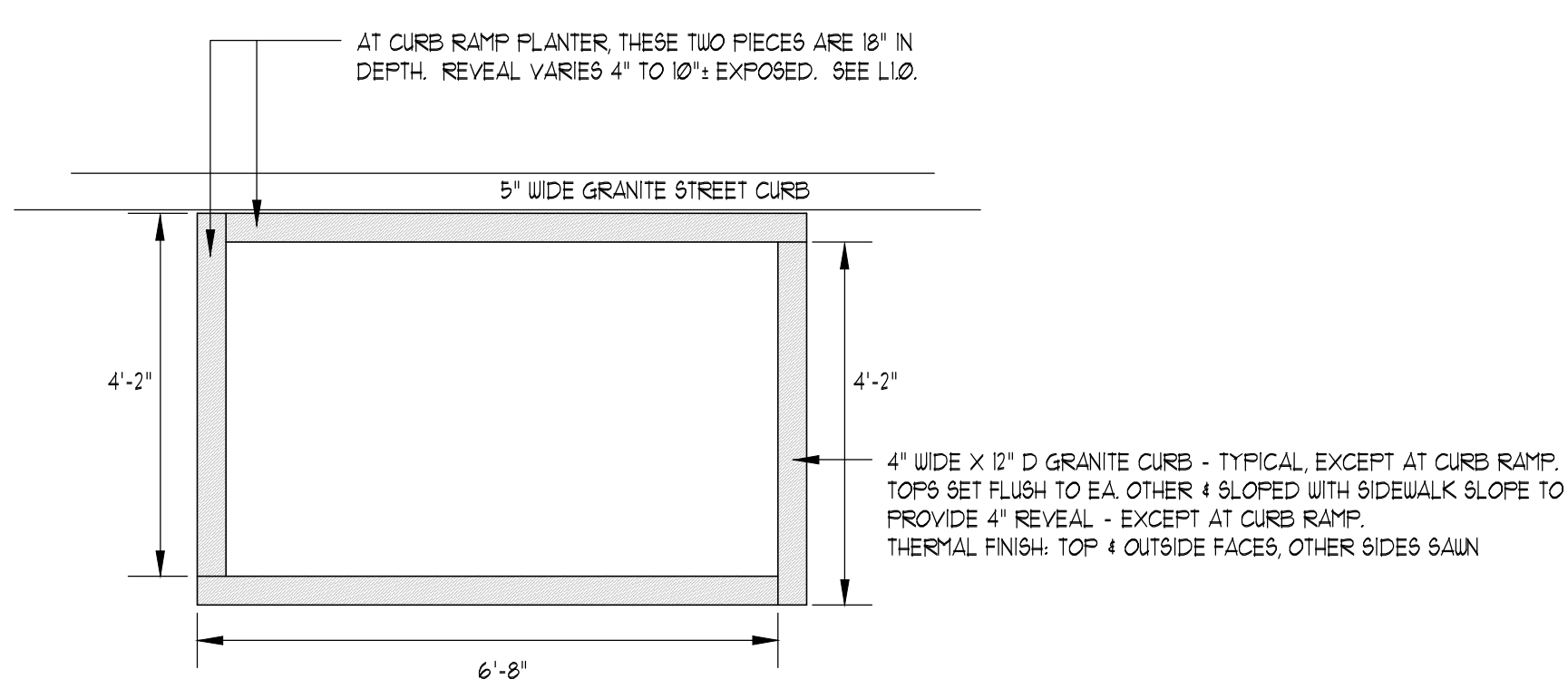
2 RAISED SIDEWALK PLANTER SECTION
L2.0 NOT TO SCALE



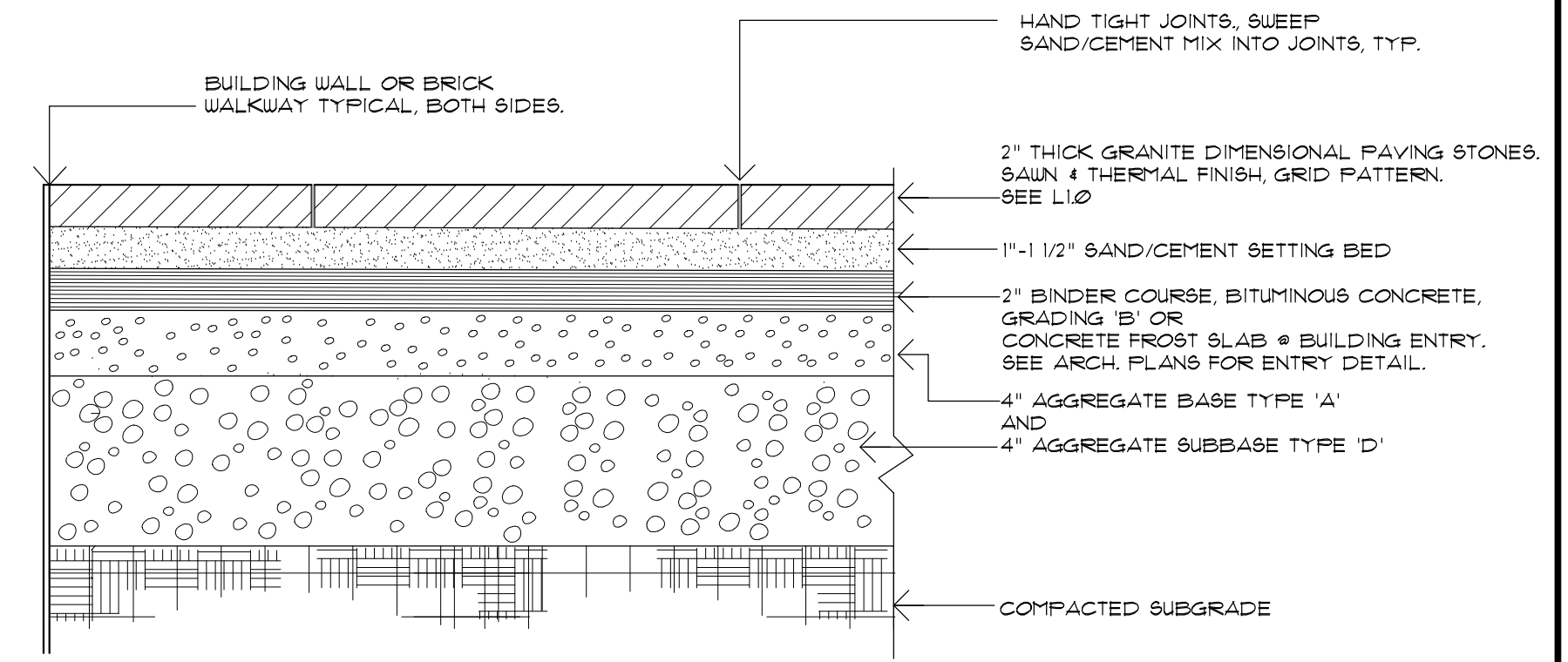
4 WOOD PRIVACY FENCE
L2.0 NOT TO SCALE



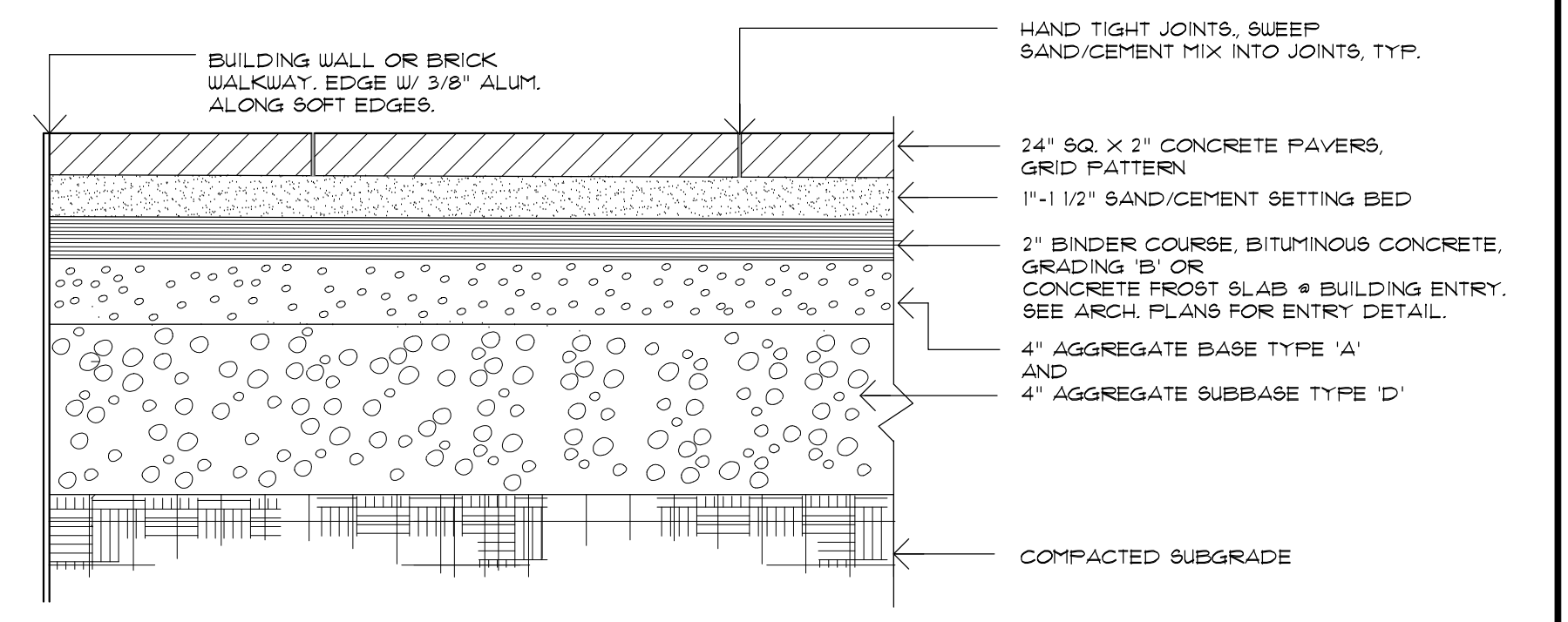
5 RAISED GRANITE PLANTER - ISOMETRIC VIEW (AT CURB RAMP ON CONGRESS STREET)
L2.0 NOT TO SCALE



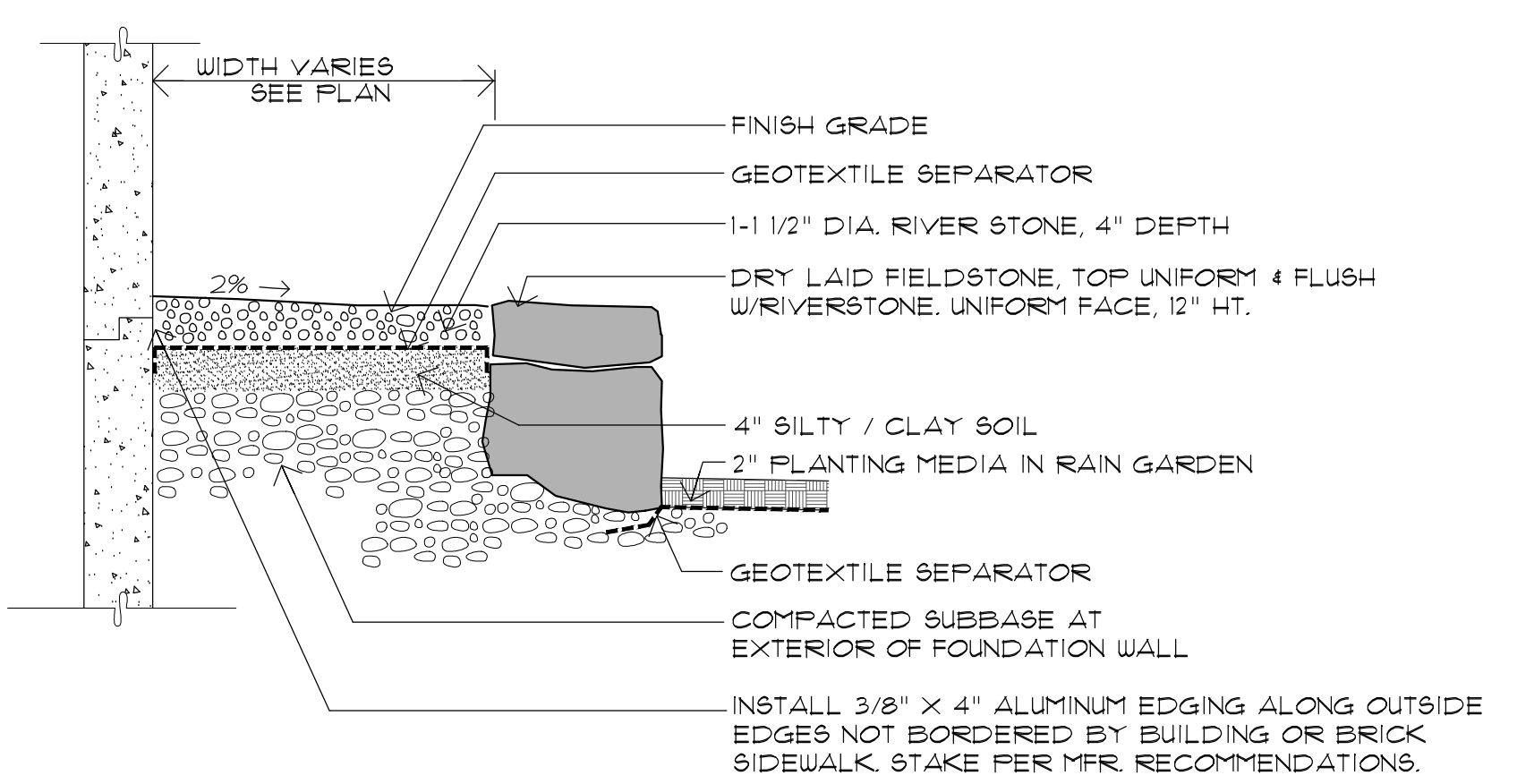
6 RAISED GRANITE PLANTER - PLAN VIEW
L2.0 NOT TO SCALE



7 GRANITE PAVER SECTION - MAIN BUILDING ENTRIES
L2.0 NOT TO SCALE



8 CONCRETE PAVER SECTION (SOUTH WALK)
L2.0 NOT TO SCALE



9 MAINTENANCE EDGE / RAIN GARDEN EDGE SECTION
L2.0 NOT TO SCALE

Title:
LANDSCAPE DETAILS

No.	Date	Revision
1	1/27/14	Add irrig. dims
2	2/26/14	Fence ht, rem irrig. rain garden
3	4/1/14	Fence ht.

Job # 842 Dwg. No.
Date: Dec. 31, 2013
Scale: As Noted
Drawn: SB
Checked: SM

L2.0