

## 120VAC/9VDC Single/Multiple Station Carbon Monoxide Alarm

CO1209  
SERIES

### Applications

The CO1209 (120VAC/9VDC) Series of electrochemical sensor carbon monoxide alarms is for use as an evacuation device in all dwelling units, including but not limited to homes, apartments, hospitals, hotels and motels. The CO1209 Series is in compliance with ANSI/UL 2034 and NFPA 720.

The CO1209 Series is engineered to virtually eliminate nuisance alarms and deliver outstanding performance wherever reliable CO protection is required.

The CO1209 Series is provided with a 9VDC alkaline battery for electrical back-up in the event building power is lost. The battery impedance is verified and the alarm provides a low or missing battery warning. The battery drawer provides easy replacement without removing the unit from the wall or ceiling.

The Gentex CO1209 Series is provided with a push button test that simulates an actual CO condition in full compliance with NFPA 720 and UL Standards.

Features of the CO alarm series include, a temporal 4 tone for CO alarm annunciation, DUALINK® - differentiating tones indicating a smoke alarm (temporal 3) or a CO alarm (temporal 4), tandem capabilities with all Gentex tandem interconnect capable alarms, signal indicating CO sensor has reached end of life and solid state red LED to indicate CO presence. Options include Form A/Form C dry contacts for remote annunciation.



### Product Listings

#### SIGNALING



LISTED



- ANSI/UL 2034 Listed
- CSFM: 5276-0659:143

### Product Compliance

- NFPA 720
- IBC/IFC/IRC
- City & State Ordinances & Laws
- Quality Management System is certified to: ISO 9001:2008



### Standard Features

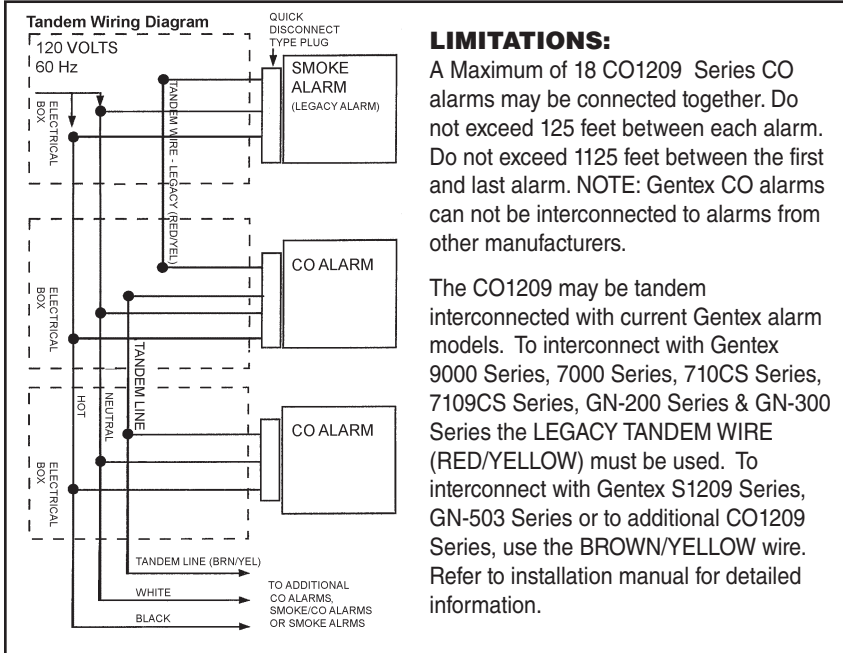
- CO1209 available in 120VAC with 9VDC battery back-up
- Electrochemical sensor
- Horn frequency 3100 Hz (nominal)
- Meets sensitivity requirements of ANSI/UL 2034
- DUALINK® - differentiating tones indicating a smoke alarm (temporal 3) or a CO alarm (temporal 4)
- Temporal 4 sounding pattern for CO annunciation
- Optional auxiliary Form A/Form C relay contacts
- Relay contacts operate on battery back-up
- Tandem interconnect with current Gentex alarm models
- Push button self test and functional test feature
- Quick-disconnect wiring harness
- Non-latching (self restoring) alarm
- Red LED pulses every 15-30 seconds, green LED for AC power on
- Solid State red LED to indicate CO presence
- Mounting hardware adapts to standard junction boxes
- Dust cover to prevent contamination during installation
- Low or missing battery indicator
- End of life signal indicates CO sensor has reached depletion state and time to replace
- 1 year warranty from date of purchase
- 5 year limited warranty on CO sensor

CO1209 Series Carbon Monoxide Alarm			
Model Number	Part Number	Voltage	Form A/ Form C Relay
CO1209	918-0009-002	120VAC/9VDC	
CO1209F	918-0010-002	120VAC/9VDC	●

Electrical Specifications	
Operating Voltage.....	120VAC, 60Hz
Operating Current.....	0.045 amps
Operating Current (Relay Options).....	0.070 amps
Operating Ambient Temp Range.....	40°F to 100°F
Alarm Horn Rating.....	85dBA at 10 feet
Size.....	Diameter: 6.25 in. (15.875 cm) OA (5.75 in. (14.605 cm) at Ceiling) Depth: 1.8 in. (4.572 cm)
Secondary Power Source.....	Alkaline 9VDC battery Duracell® MN 1604
CO Sensing Cell.....	Electrochemical Cell

# CO1209 SERIES

## CO1209 Series Wiring Diagrams



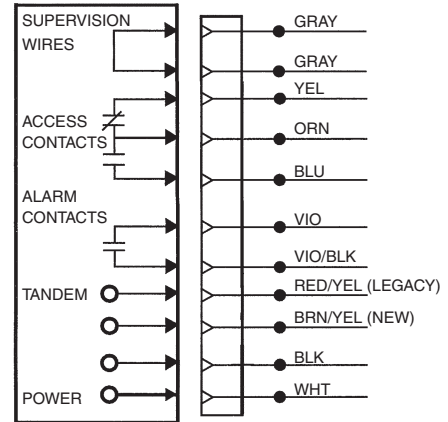
### LIMITATIONS:

A Maximum of 18 CO1209 Series CO alarms may be connected together. Do not exceed 125 feet between each alarm. Do not exceed 1125 feet between the first and last alarm. NOTE: Gentex CO alarms can not be interconnected to alarms from other manufacturers.

The CO1209 may be tandem interconnected with current Gentex alarm models. To interconnect with Gentex 9000 Series, 7000 Series, 710CS Series, 7109CS Series, GN-200 Series & GN-300 Series the LEGACY TANDEM WIRE (RED/YELLOW) must be used. To interconnect with Gentex S1209 Series, GN-503 Series or to additional CO1209 Series, use the BROWN/YELLOW wire. Refer to installation manual for detailed information.

### Relay Models

### Models CO1209F



### CAUTION:

RED/YELLOW & BROWN/YELLOW wire to be capped when not in use. This wire is for tandem connection only. Do not connect to any other circuit.

## Architect & Engineering Specifications

The carbon monoxide alarm shall be a Gentex Model CO1209/CO1209F or approved equal which shall provide at least the following features and functions:

1. The carbon monoxide alarm shall utilize an electrochemical sensing element with expected 5-year life.
2. The carbon monoxide alarm is calibrated not to detect CO levels below 30PPM and will not alarm when exposed to constant levels of 30PPM for 30 days. The device will alarm at the following levels: 70 PPM CO between 1 to 4 hours. 150 PPM CO between 10 to 50 minutes. 400 PPM 4 to 15 minutes.
3. The CO1209 Series device shall have a Duracell® MN 1604 9VDC alkaline battery as a back-up in the event building power is lost.
4. The 9VDC battery impedance shall be verified by the circuit of the smoke/CO alarm.
5. The CO alarm shall provide an indicator when the battery is low in power or high impedance or is missing.
6. The CO alarm will provide an audible indicator at end of life of CO sensor.
7. A solid state piezo alarm rated at 85dBA at 10ft.
8. A visual LED monitor (condition indicator) will slow pulse in normal operation.
9. A red color LED will indicate presence of CO at the unit.
10. An easily accessible test button shall be provided. Push down on button for self test. Push button and hold until CO alarm activates for functional test. If device does not go into alarm, the device is not working properly.
11. The device shall have tandem interconnect capability of up to 12 units or 6 units with relay.
12. The CO1209 Series alarm shall have the capability to tandem interconnect with all Gentex tandem capable CO alarms, smoke alarms or combination smoke/CO alarms, including 7000/70003 Series, 9000/9003 Series, 710CS/713CS Series, 7109CS/7139CS Series, GN-200/ GN-300 Series, S1209 Series and GN-503 Series.
13. The CO alarm shall be non-latching (self-restoring).
14. Unit must be ANSI/UL 2034 listed for both wall and ceiling mount.
15. Unit shall be listed by Underwriters Laboratories and California State Fire Marshal (CSFM).

All equipment shall be completely factory assembled and tested, and the contractor shall be prepared to submit a certified letter testifying to this condition. Alarms which do not meet all of the requirements of this specification will not be considered.

For complete product specifications, refer to product installation manual.

24 units per carton  
24 pounds per carton

# GENTEX CORPORATION

Fire Protection Products Group • www.gentex.com  
10985 Chicago Drive • Zeeland, Michigan 49464  
616.392.7195 • 1.800.436.8391 • 616.392.4219 Fax

Gentex Corporation reserves the right to make changes to the product data sheet at their discretion.

### Important Notice:

These materials have been prepared by Gentex Corporation ("Gentex") for informational purposes only, are necessarily summary, and are not purported to serve as legal advice and should not be used as such. Gentex makes no representations and warranties, express or implied, that these materials are complete and accurate, up-to-date, or in compliance with all relevant local, state and federal laws, regulations and rules. The materials do not address all legal considerations as there is inevitable uncertainty regarding interpretation of laws, regulations and rules and the application of such laws, regulations and rules to particular fact patterns. Each person's activities can differently affect the obligations that exist under applicable laws, regulations or rules. Therefore, these materials should be used only for informational purposes and should not be used as a substitute for seeking professional legal advice. Gentex will not be responsible for any action or failure to act in reliance upon the information contained in this material.

551-0075-03