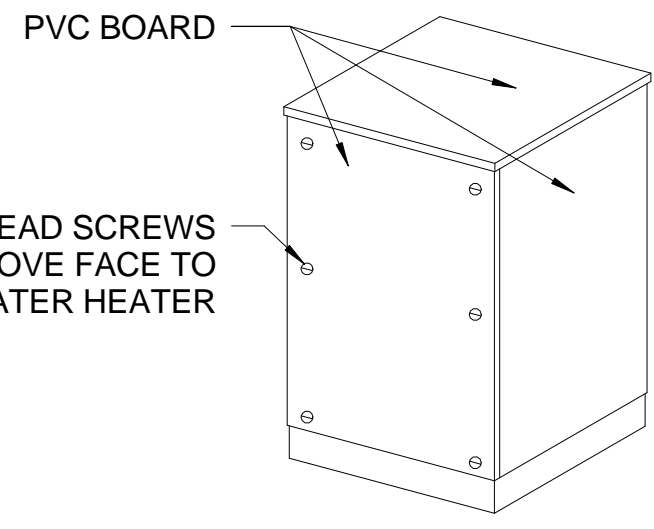


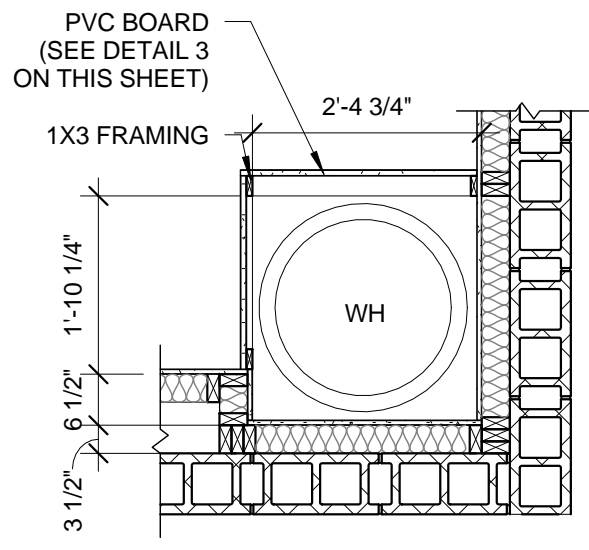
1 | 1ST FLOOR - RETAIL A PLAN

1/4" = 1'-0"



3 | W.H. ENCLOSURE

1/4" = 1'-0"



2 | PLAN DETAIL

1/2" = 1'-0"



Architect:
ARCHETYPE
architects
 48 Union Wharf Portland, Maine 04101
 (207) 772-6022 Fax (207) 772-4056

Date: April 8, 2015
 Scale: As indicated

SPACE A - LAYOUT

Project: 118 ON MUNJOY HILL

118 CONGRESS STREET PORTLAND, MAINE

SKA.85c