

Prepared For:
118 on Munjoy Hill, LLC
 118 CONGRESS STREET
 PORTLAND, ME 04101

Consultant:
ARCHETYPE architects
 48 Union Wharf Portland, Maine 04101
 (207) 772-6022 Fax (207) 772-4056

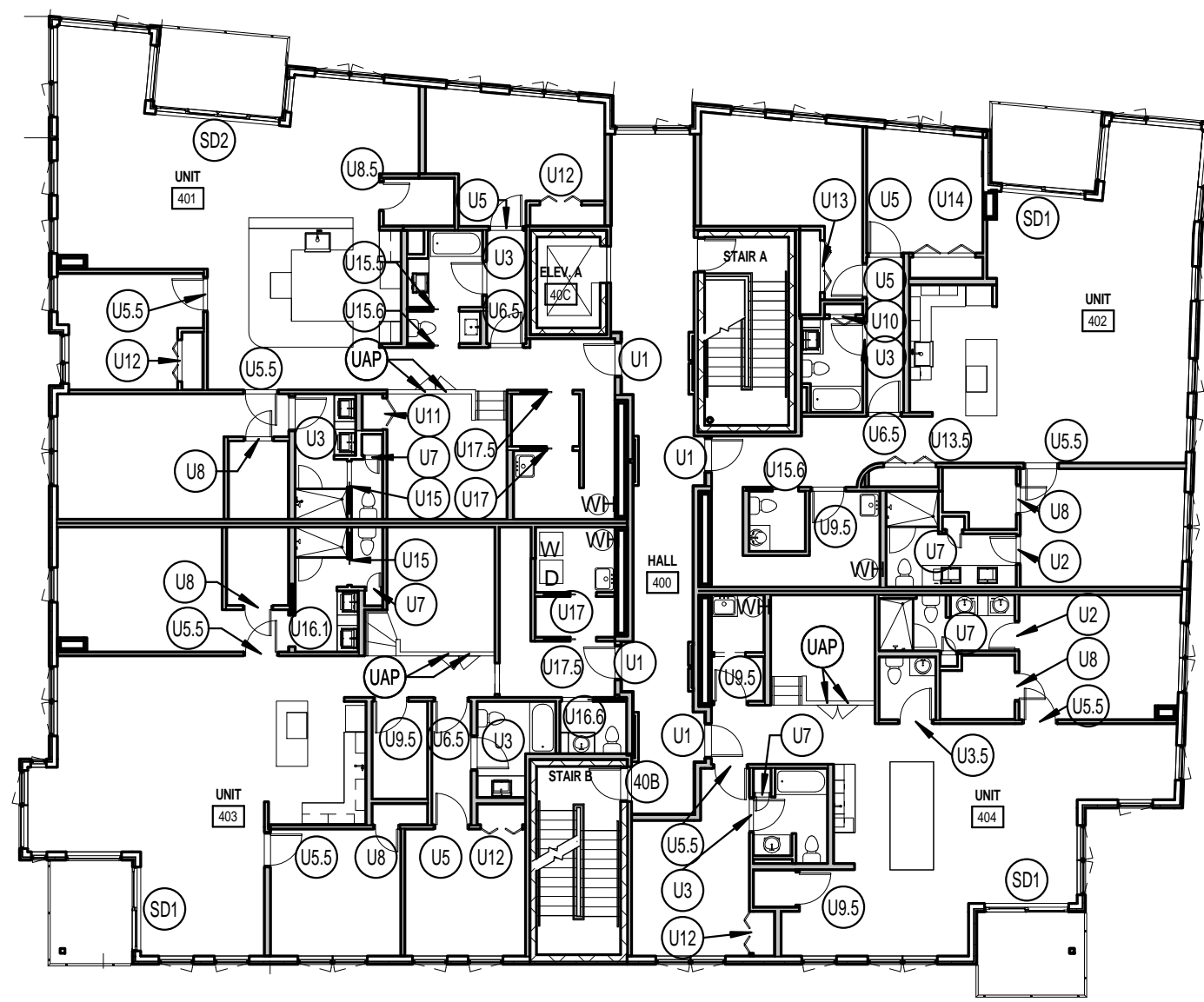
Project:
118 ON MUNJOY HILL
 118 CONGRESS STREET
 PORTLAND, MAINE

Revisions:

Date:
07 MAR 2014

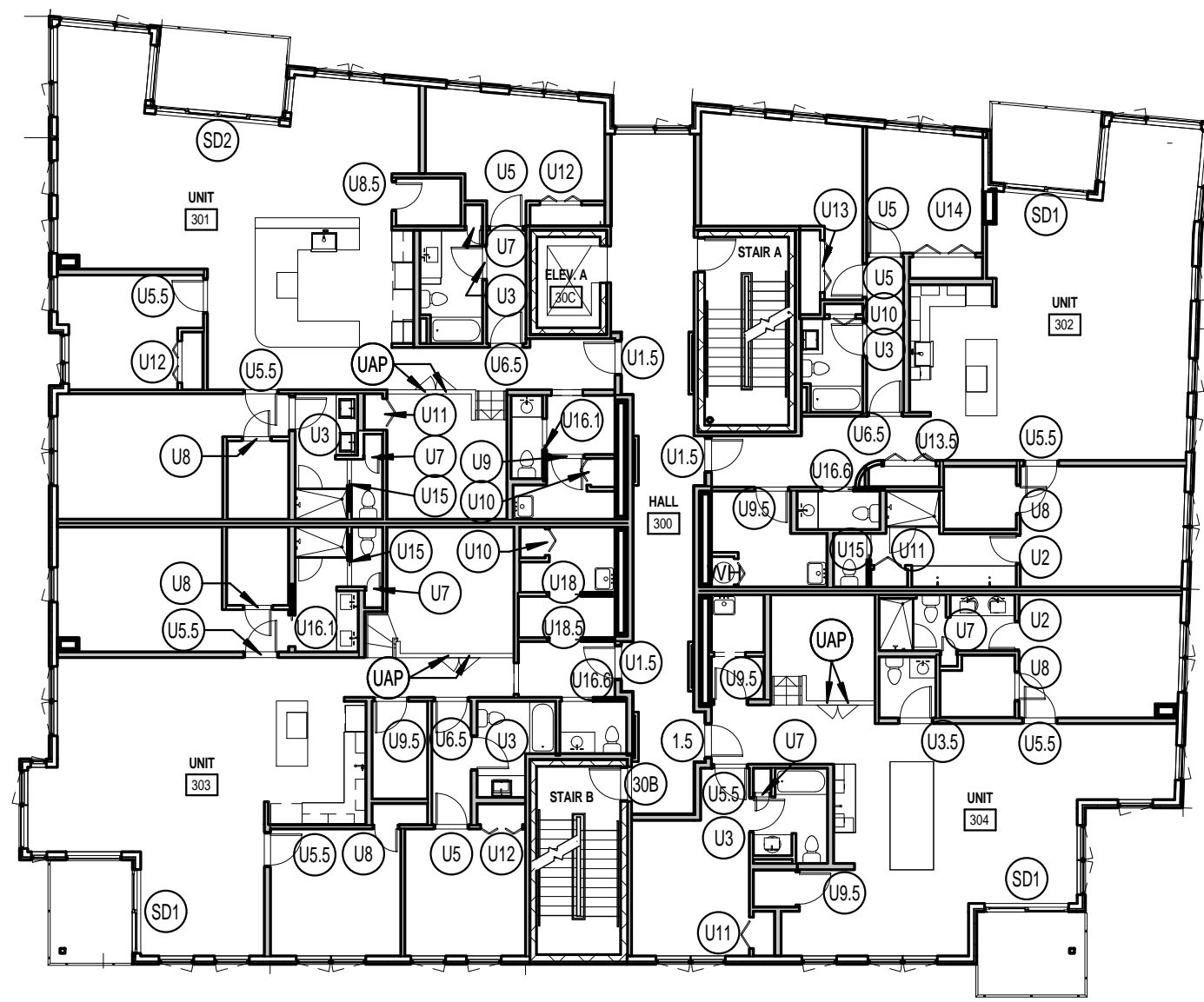
Scale:
 As indicated

A8.01



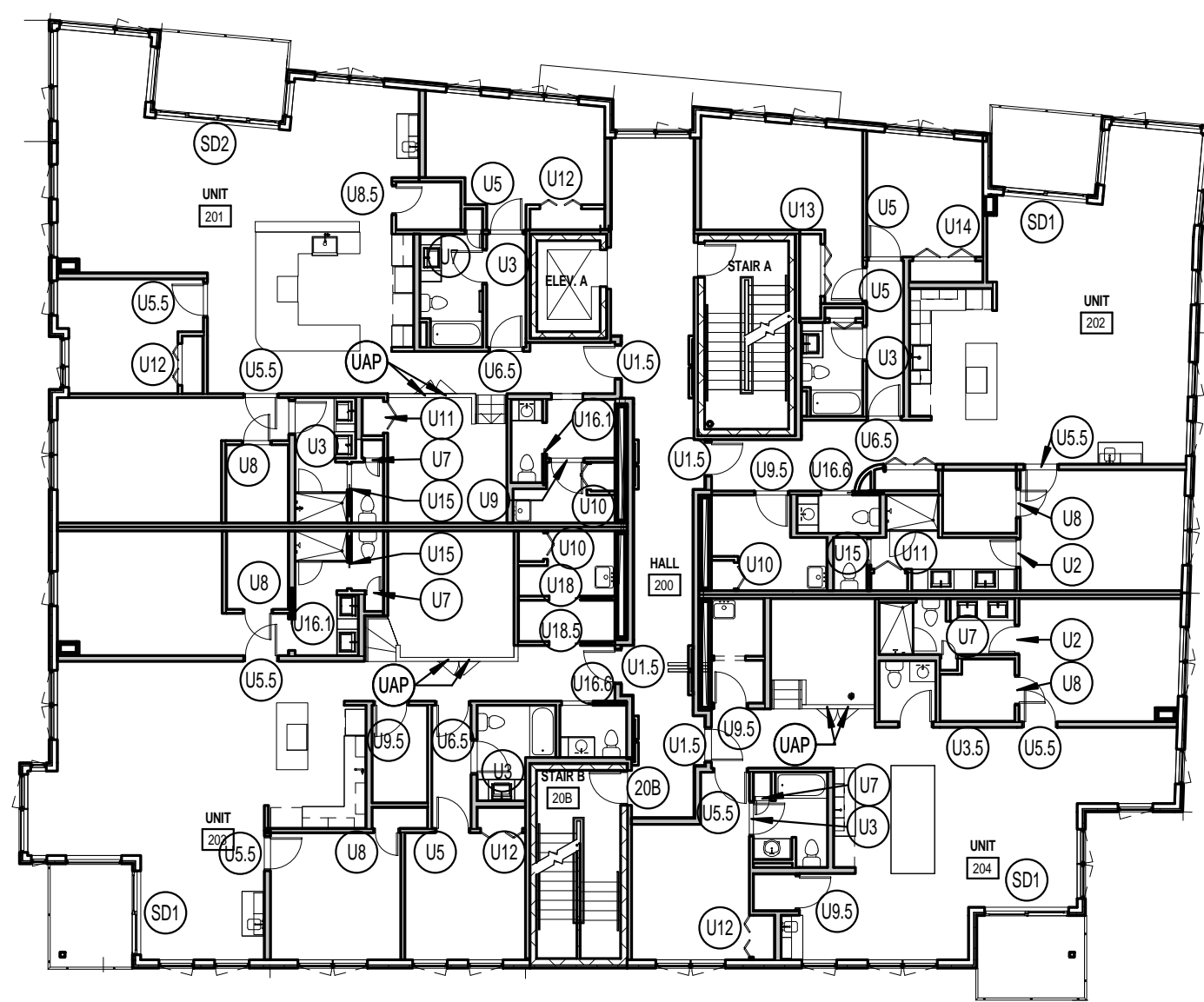
4 DOOR KEY PLAN - 4TH FLOOR

1/16" = 1'-0"



3 DOOR KEY PLAN - THIRD FLOOR

1/16" = 1'-0"

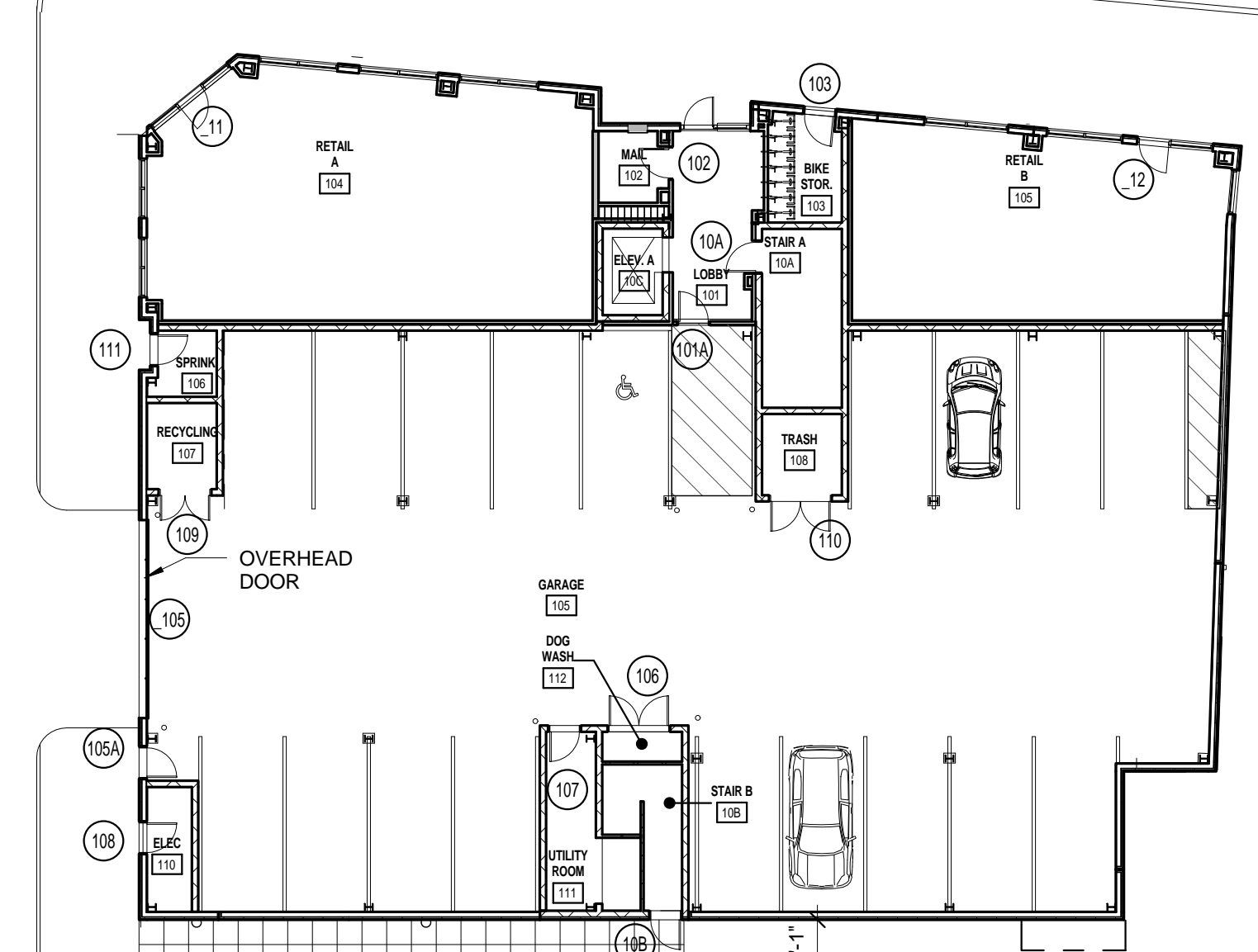


2 DOOR KEY PLAN - SECOND FLOOR

1/16" = 1'-0"

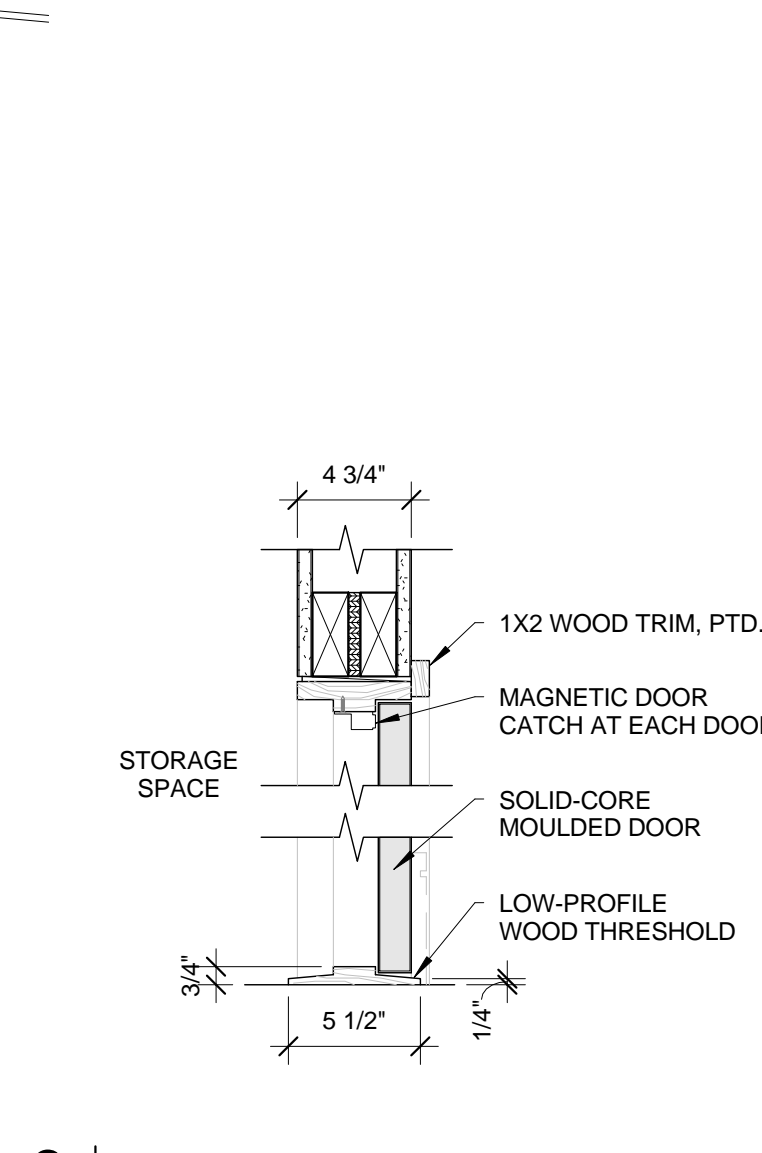
DOOR No.	DOOR		FRAME				OPER.	CL.	REMARKS				
	W	H	THCK	MATL	ELEV.	HEAD/JAMB				THRES	MATL	LABEL	
1ST FLOOR													
10A	3'-0"	8'-0"	1 3/4"	HM	4	-	-	HM	90 MINS	PASSAGE	Yes	SMOKE GASKET	
10B	3'-0"	7'-0"	1 3/4"	HM	4	-	-	ALUM	90 MINS	STORAGE	Yes	WEATHER SEAL - INSULATED DOOR - *ELEC HINGE	
101	2'-11 27/32"	7'-9 7/32"	1 3/4"	ALUM	-	-	-	-	-	-	-	-	
101A	3'-0"	8'-0"	1 3/4"	WD	5	-	-	ALUM	45 MINS	ENTRY	Yes	WEATHER SEAL - INSULATED DOOR	
102	3'-0"	8'-0"	1 3/4"	WD	3	-	-	HM	-	PASSAGE	Yes	-	
103	3'-0"	7'-0"	1 3/4"	MTL	1	-	-	ALUM	MTL	GALV.	STORAGE	Yes	WEATHER SEAL - INSULATED DOOR - *ELEC HINGE
105A	3'-0"	8'-0"	1 3/4"	HM	1	-	-	ALUM	HM	-	STORAGE	Yes	*ELEC HINGE
106	6'-0"	7'-0"	1 3/4"	HM	1	-	-	HM	-	-	STORAGE	No	WEATHER SEAL - INSULATED DOOR
107	3'-0"	7'-0"	1 3/4"	HM	1	-	-	HM	-	-	STORAGE	Yes	-
108	3'-0"	8'-0"	1 3/4"	HM	1	-	-	ALUM	HM	-	STORAGE	Yes	-
109	5'-0"	7'-0"	1 3/4"	HM	2	-	-	HM	45 MINS	PASSAGE	Yes	-	
110	6'-0"	7'-0"	1 3/4"	HM	2	-	-	HM	45 MINS	PASSAGE	Yes	-	
111	3'-0"	8'-0"	1 3/4"	HM	1	-	-	ALUM	HM	-	STORAGE	Yes	WEATHER SEAL - INSULATED DOOR
-11	3'-0"	6'-8 1/4"	1 3/4"	-	-	-	-	-	-	-	-	-	
-12	3'-0"	6'-10 3/4"	1 3/4"	ALUM	3	-	-	ALUM	ALUM	-	ENTRY	Yes	WEATHER SEAL - INSULATED DOOR
-105	20'-0"	9'-0"	2"	-	-	-	-	-	-	-	-	No	INSULATED OVERHEAD GARAGE DOOR
2ND FLOOR													
20B	3'-0"	8'-0"	1 3/4"	HM	4	-	-	HM	90 MINS	PASSAGE	Yes	SMOKE GASKET	
30C	3'-0"	8'-0"	1 3/4"	HM	4	-	-	HM	90 MINS	PASSAGE	Yes	SMOKE GASKET	
SD1	8'-0 5/8"	7'-11 1/2"	1 3/4"	-	25	-	-	ALUM	WD	-	EXTERIOR	No	SEE WINDOW SCHED
SD1	8'-0 5/8"	7'-11 1/2"	1 3/4"	-	25	-	-	ALUM	WD	-	EXTERIOR	No	SEE WINDOW SCHED
SD1	8'-0 5/8"	7'-11 1/2"	1 3/4"	-	25	-	-	ALUM	WD	-	EXTERIOR	No	SEE WINDOW SCHED
SD1	8'-0 5/8"	7'-11 1/2"	1 3/4"	-	25	-	-	ALUM	WD	-	EXTERIOR	No	SEE WINDOW SCHED
SD2	11'-11"	7'-11 1/2"	1 3/4"	-	25	-	-	ALUM	WD	-	EXTERIOR	No	SEE WINDOW SCHED
3RD FLOOR													
1.5	3'-0"	8'-0"	1 3/4"	WD	20	-	-	ALUM	WD	20 MINS	UNIT DOOR	Yes	UNIT DOOR - SMOKE GASKET
30B	3'-0"	8'-0"	1 3/4"	HM	4	-	-	HM	90 MINS	PASSAGE	Yes	SMOKE GASKET	
40C	3'-0"	8'-0"	1 3/4"	HM	4	-	-	HM	90 MINS	PASSAGE	Yes	SMOKE GASKET	
SD1	8'-0 5/8"	7'-11 1/2"	1 3/4"	-	25	-	-	ALUM	WD	-	EXTERIOR	No	SEE WINDOW SCHED
SD1	8'-0 5/8"	7'-11 1/2"	1 3/4"	-	25	-	-	ALUM	WD	-	EXTERIOR	No	SEE WINDOW SCHED
SD1	8'-0 5/8"	7'-11 1/2"	1 3/4"	-	25	-	-	ALUM	WD	-	EXTERIOR	No	SEE WINDOW SCHED
SD2	11'-11"	7'-11 1/2"	1 3/4"	-	25	-	-	ALUM	WD	-	EXTERIOR	No	SEE WINDOW SCHED
4TH FLOOR													
40A	3'-0"	7'-0"	1 3/4"	HM	4	-	-	HM	90 MINS	PASSAGE	Yes	SMOKE GASKET	
40B	3'-0"	7'-0"	1 3/4"	HM	4	-	-	HM	90 MINS	PASSAGE	Yes	SMOKE GASKET	
SD1	8'-0 5/8"	7'-11 1/2"	1 3/4"	-	25	-	-	ALUM	WD	-	EXTERIOR	No	SEE WINDOW SCHED
SD1	8'-0 5/8"	7'-11 1/2"	1 3/4"	-	25	-	-	ALUM	WD	-	EXTERIOR	No	SEE WINDOW SCHED
SD1	8'-0 5/8"	7'-11 1/2"	1 3/4"	-	25	-	-	ALUM	WD	-	EXTERIOR	No	SEE WINDOW SCHED
SD2	11'-11"	7'-11 1/2"	1 3/4"	-	25	-	-	ALUM	WD	-	EXTERIOR	No	SEE WINDOW SCHED
ROOF													
R01	3'-0"	7'-0"	1 3/4"	WD	3	-	-	ALUM	WD	-	PASSAGE w/ DEADBOLT	Yes	INSULATED DOOR, WEATHER SEAL w/ DEADBOLT
R02	3'-0"	7'-0"	1 3/4"	WD	3	-	-	ALUM	WD	-	PASSAGE w/ DEADBOLT	Yes	INSULATED DOOR, WEATHER SEAL w/ DEADBOLT
R03	3'-0"	7'-0"	1 3/4"	WD	3	-	-	ALUM	WD	-	PASSAGE w/ DEADBOLT	Yes	INSULATED DOOR, WEATHER SEAL w/ DEADBOLT
R04	3'-0"	7'-0"	1 3/4"	WD	3	-	-	ALUM	WD	-	PASSAGE	Yes	INSULATED DOOR, WEATHER SEAL
R05	3'-0"	7'-0"	1 3/4"	WD	3	-	-	ALUM	WD	-	PASSAGE w/ DEADBOLT	Yes	INSULATED DOOR, WEATHER SEAL

DOOR	DOOR		FRAME				OPER.	CL.	REMARKS				
	WT	W	H	THCK	MATL	ELEV.				JAMB	THRES	MATL	LABEL
U1	3'-0"	7'-0"	1 3/4"	WD	20	-	-	ALUM	WD	20 MINS	UNIT DOOR	Yes	UNIT DOOR - SMOKE GASKET
U1.5	3'-0"	8'-0"	1 3/4"	WD	20	-	-	ALUM	WD	20 MINS	UNIT DOOR	Yes	UNIT DOOR - SMOKE GASKET
U2	2'-6"	7'-0"	1 3/4"	SM	21	-	-	MBL	WD	-	PRIVACY	No	BATHROOM DOOR
U3	3'-0"	7'-0"	1 3/4"	SM	21	-	-	MBL	WD	-	PRIVACY	No	BATHROOM DOOR
U3.5	3'-0"	8'-0"	1 3/4"	SM	21	-	-	MBL	WD	-	PRIVACY	No	BATHROOM DOOR
U5	3'-0"	7'-0"	1 3/4"	SM	21	-	-	WD	-	-	BEDROOM	No	BEDROOM
U5.5	3'-0"	8'-0"	1 3/4"	SM	21	-	-	WD	-	-	BEDROOM	No	BEDROOM
U6.5	3'-0"	8'-0"	1 3/4"	SM	21	-	-	WD	-	-	PASSAGE	No	PASSAGE DOOR
U7	1'-4"	7'-0"	1 3/4"	SM	22	-	-	WD	-	-	PASSAGE	No	LINEN CLOSET
U8	7'-0"	1 3/4"	SM	21	-	-	-	WD	-	-	PASSAGE	No	CLOSET
U8.5	2'-6"	8'-0"	1 3/4"	SM	21	-	-	WD	-	-	PASSAGE	No	CLOSET
U9	3'-0"	7'-0"	1 3/4"	SM	21	-	-	WD	-	-	PASSAGE	No	CLOSET
U9.5	3'-0"	8'-0"	1 3/4"	SM	21	-	-	WD	-	-	PASSAGE	No	CLOSET
U10	2'-6"	7'-0"	1 3/8"	SM	23	-	-	WD	-	-	PASSAGE	No	BIFOLD
U11	3'-0"	7'-0"	1 3/8"	SM	23	-	-	WD	-	-	PASSAGE	No	BIFOLD
U12	4'-0"	7'-0"	1 3/8"	SM	24	-	-	WD	-	-	PASSAGE	No	DOUBLE BIFOLD
U13	5'-0"	7'-0"	1 3/8"	SM	24	-	-	WD	-	-	PASSAGE	No	DOUBLE BIFOLD
U13.5	5'-0"	8'-0"	1 3/8"	SM	24	-	-	WD	-	-	PASSAGE	No	DOUBLE BIFOLD
U14	6'-0"	7'-0"	1 3/8"	SM	24	-	-	WD	-	-	PASSAGE	No	DOUBLE BIFOLD
U15	2'-6"	7'-0"	1 3/8"	SM	21	-	-	WD	-	-	PASSAGE	No	POCKET
U15.5	2'-6"	8'-0"	1 3/8"	SM	21	-	-	WD	-	-	PASSAGE	No	POCKET
U15.6	2'-6"	8'-0"	1 3/8"	SM	21	-	-	MBL	WD	-	PASSAGE	No	POCKET
U16.1	3'-0"	7'-0"	1 3/8"	SM	21	-	-	MBL	WD	-	PASSAGE	No	POCKET
U16.6	3'-0"	8'-0"	1 3/8"	SM	21	-	-	MBL	WD	-	PASSAGE	No	POCKET
U17	2'-6"	7'-0"	1 3/8"	SM	21	-	-	WD	-	-	PASSAGE	No	POCKET
U17.5	2'-6"	8'-0"	1 3/8"	SM	21	-	-	WD	-	-	PASSAGE	No	POCKET
U18	3'-0"	7'-0"	1 3/8"	SM	21	-	-	WD	-	-	PASSAGE	No	POCKET
U18.5	3'-0"	8'-0"	1 3/8"	SM	21	-	-	WD	-	-	PASSAGE	No	POCKET
UAP	2'-0"	1'-7"	1 3/8"	SM	26	-	-	WD	WD	-	PASSAGE	No	ACCESS PANEL w/ MAGNETIC CATCH



1 DOOR KEY PLAN - PARKING LEVEL

1/16" = 1'-0"



9 ACCESS DOOR DETAIL

1 1/2" = 1'-0"

PUBLIC AREA DOORS

UNIT DOORS

5 DOOR DETAIL - LEAF TYPES

1/4" = 1'-0"

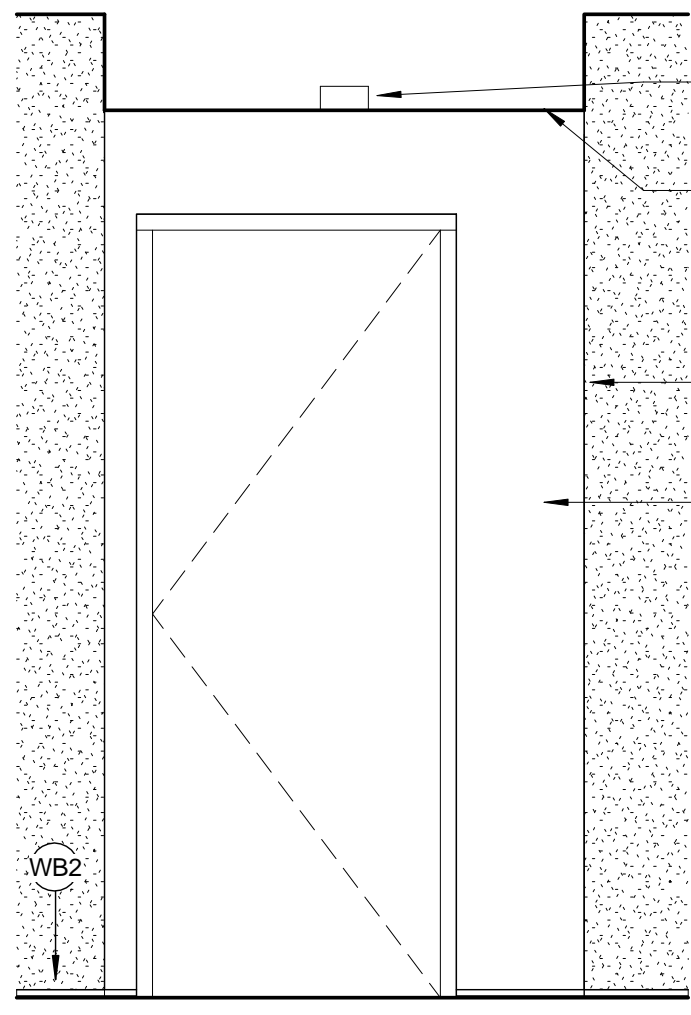
LEGEND

6 DOOR DETAIL - FRAME TYPES

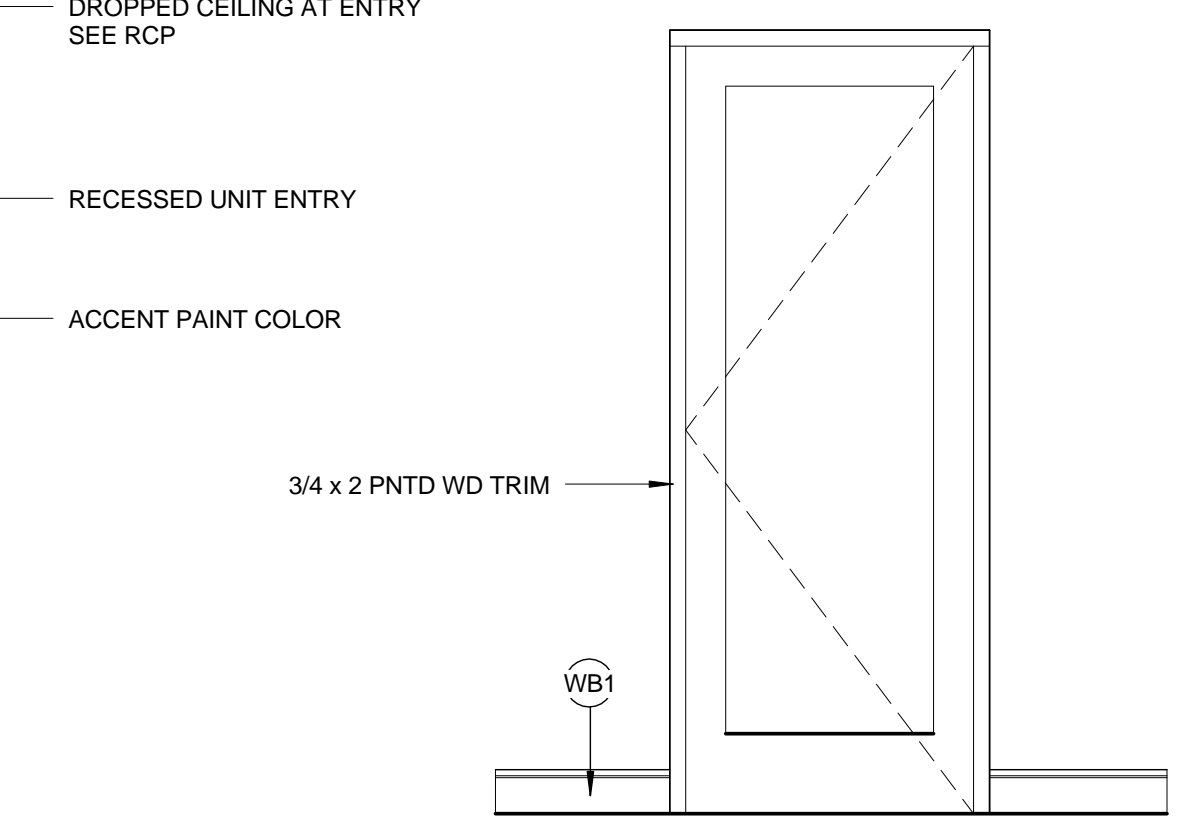
1/4" = 1'-0"

NOTES

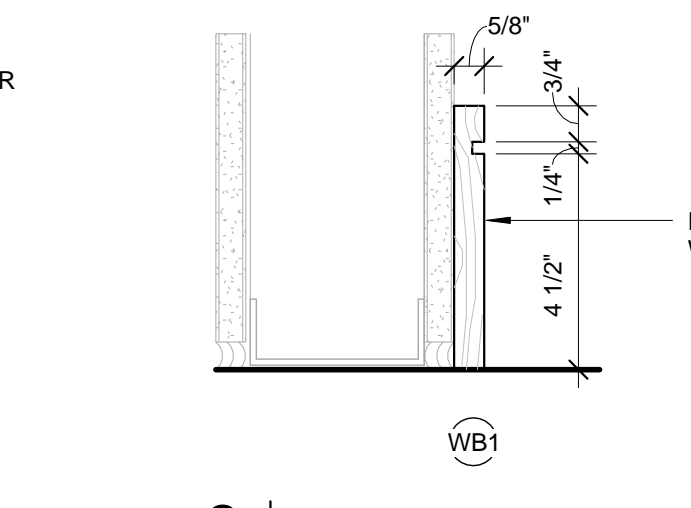
- ELEC HINGE = PROVIDE ELECTRICAL FOR FUTURE ELEC. LATCH TO MIDDLE HINGE
- PROVIDE 4 HINGES FOR DOORS OVER 7'-0"
- SEE ROOF PLAN FOR ADDITIONAL DOORS AT ROOFTOP DOGHOUSES. DOORS R01, R02, R03 ARE ADD ALT. DOORS.



UNIT ENTRY DOOR



UNIT DOOR



8 INTERIOR TRIM SCHEDULE

3" = 1'-0"