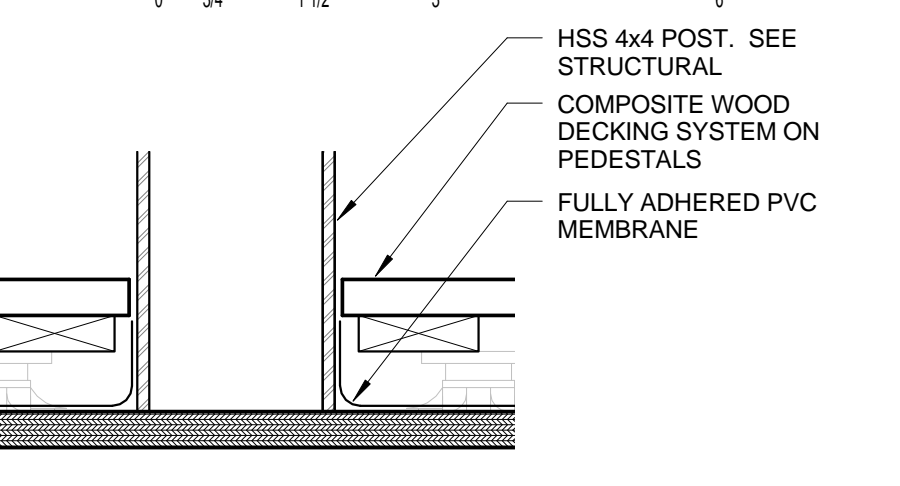
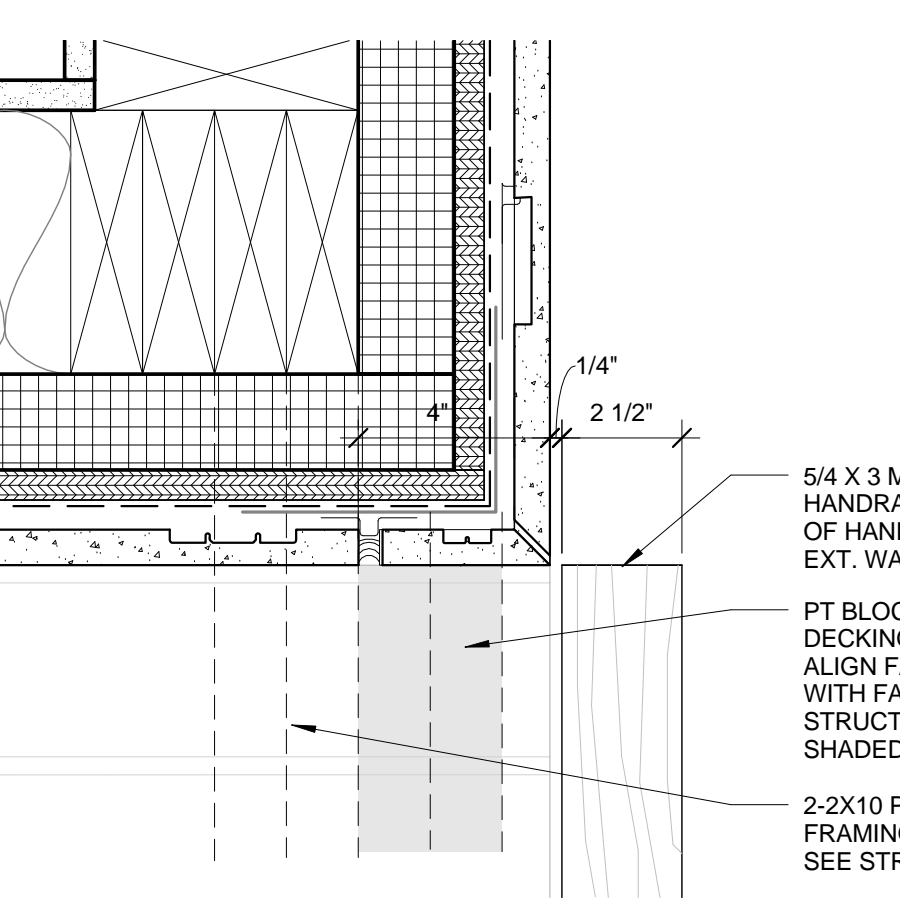


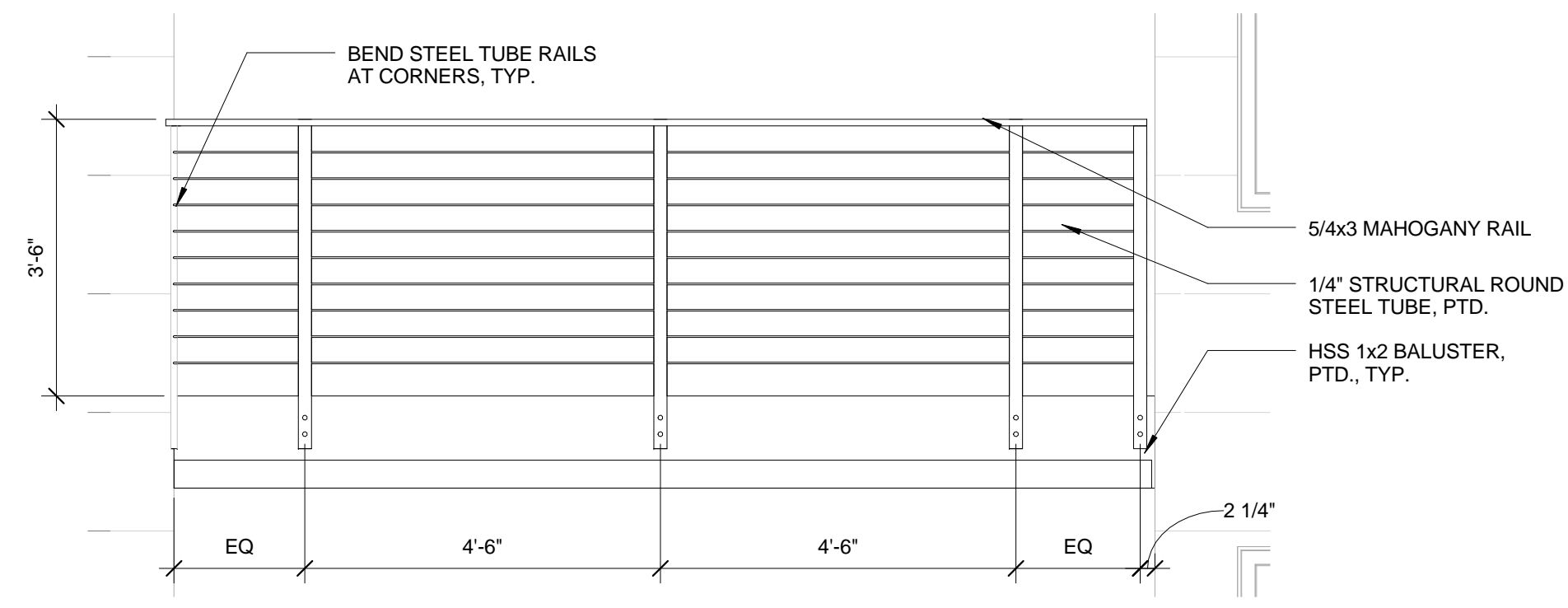
15 MAHOGANY DECK RAIL DETAIL
1/4" = 1'-0"



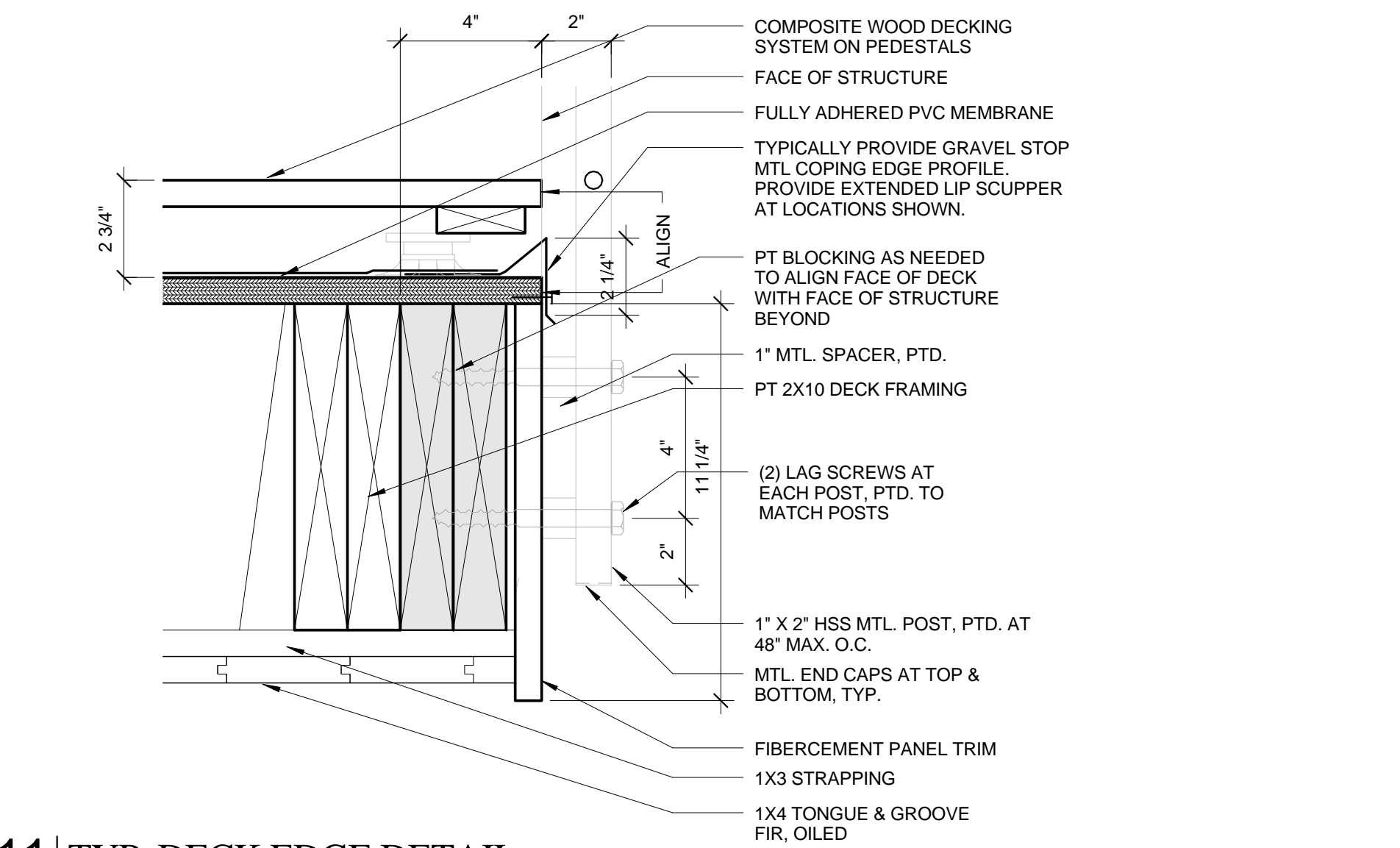
14 DECK POST FLASHING DETAIL
3/8" = 1'-0"



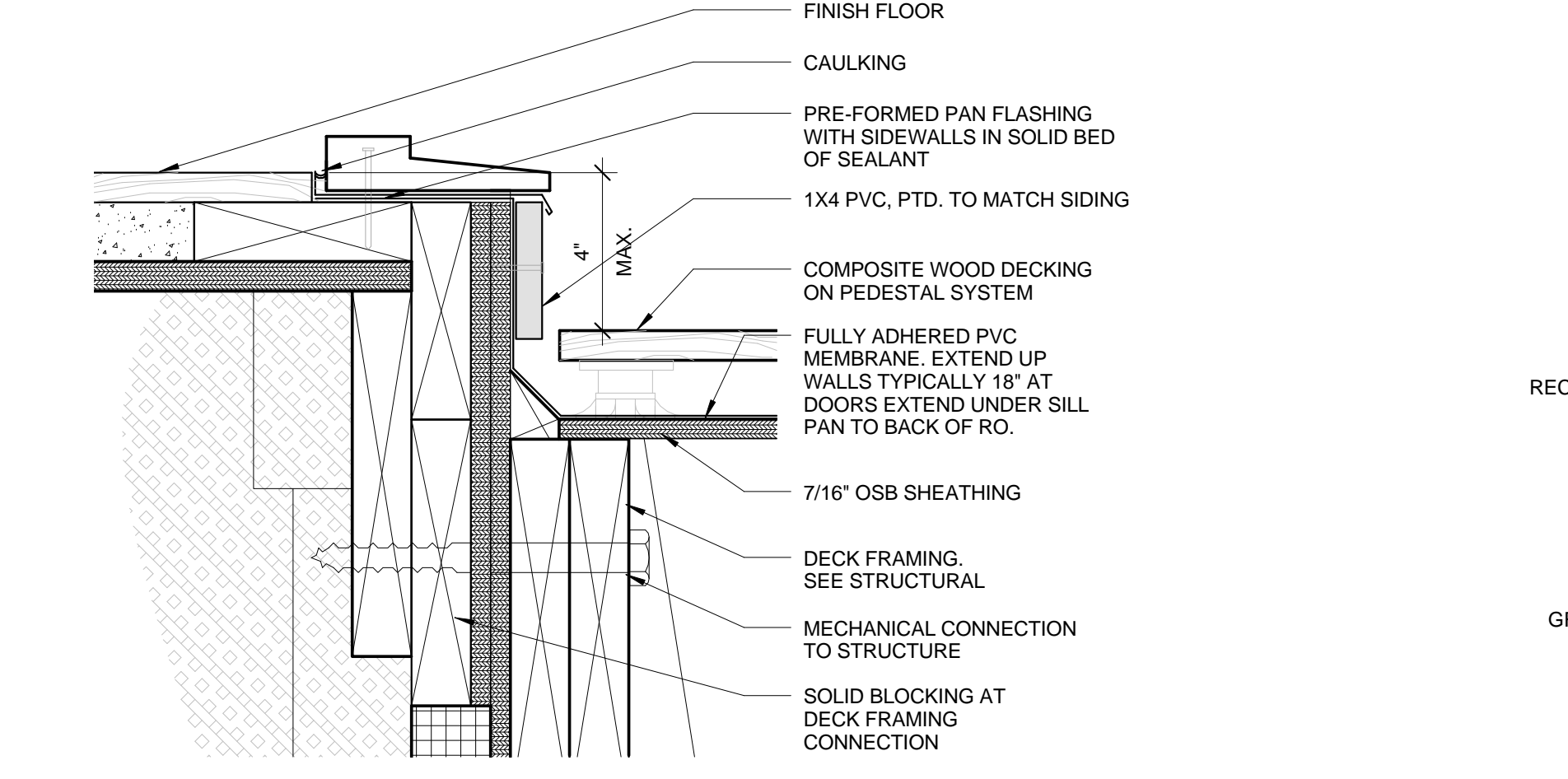
13 DECK RAIL DETAIL AT EXT. WALL
3/8" = 1'-0"



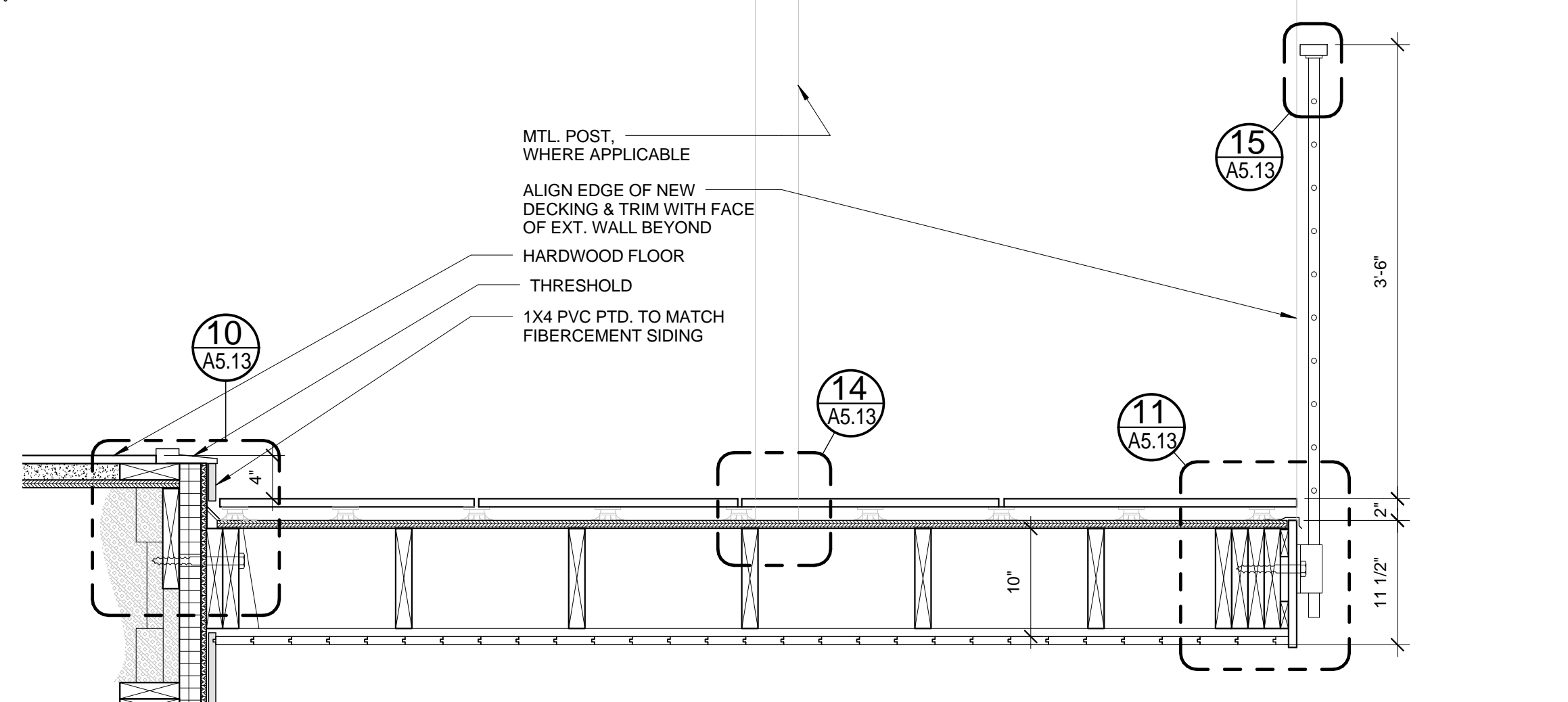
12 TYP. DECK RAIL ELEVATION
1/2" = 1'-0"



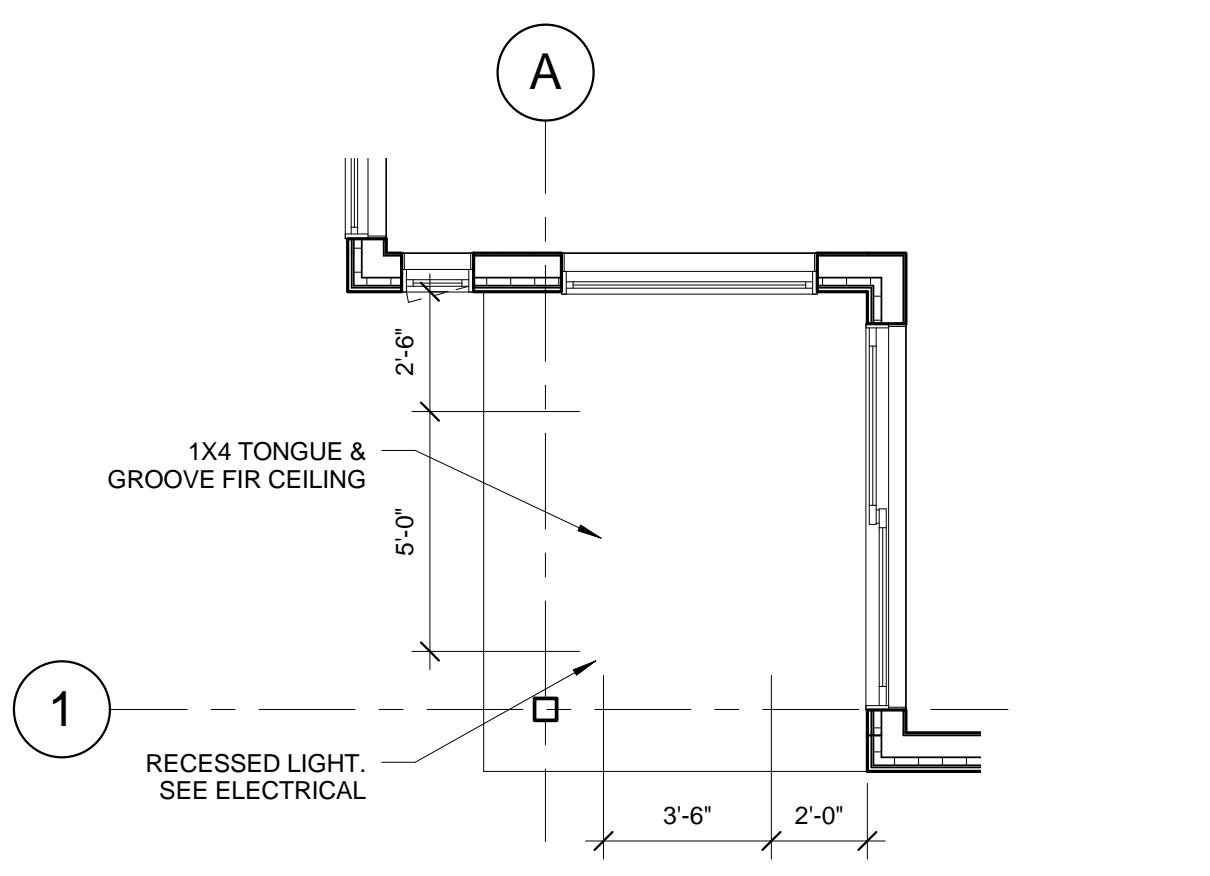
11 TYP. DECK EDGE DETAIL
3/8" = 1'-0"



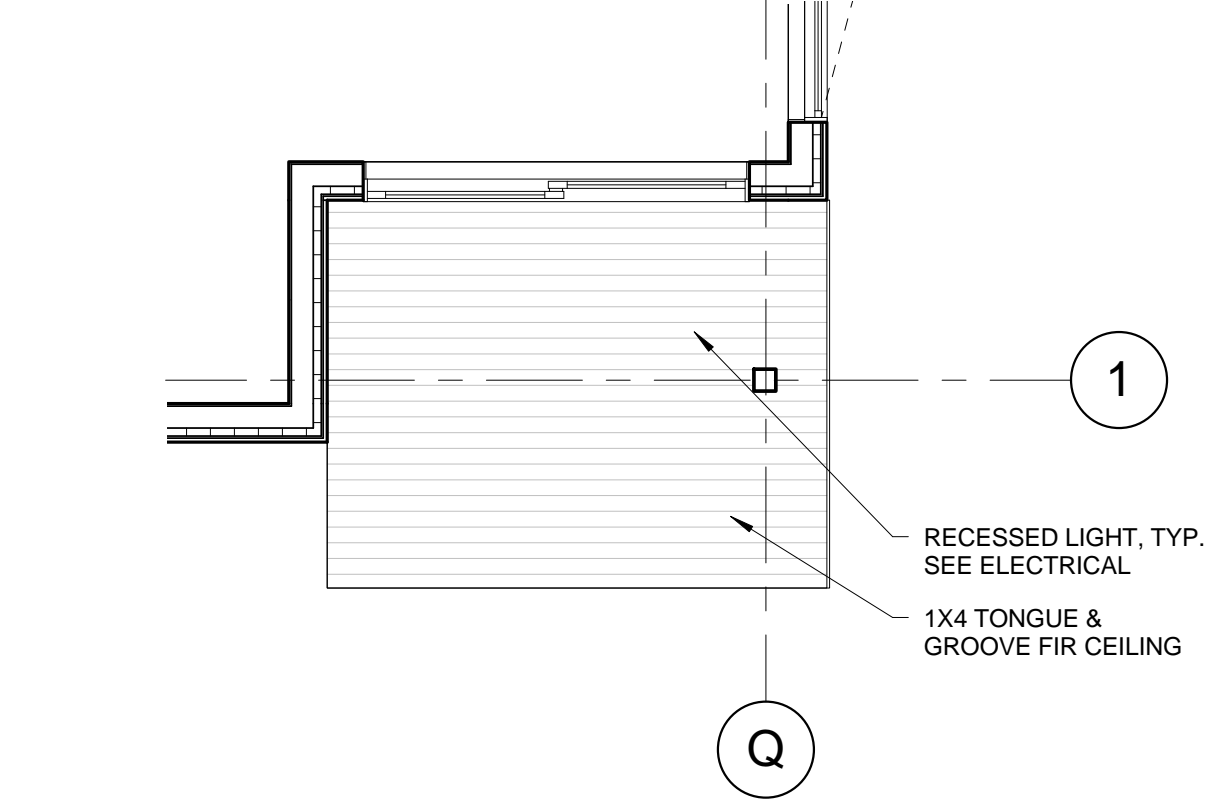
10 TYP. DECK DETAIL AT LEDGER
3/8" = 1'-0"



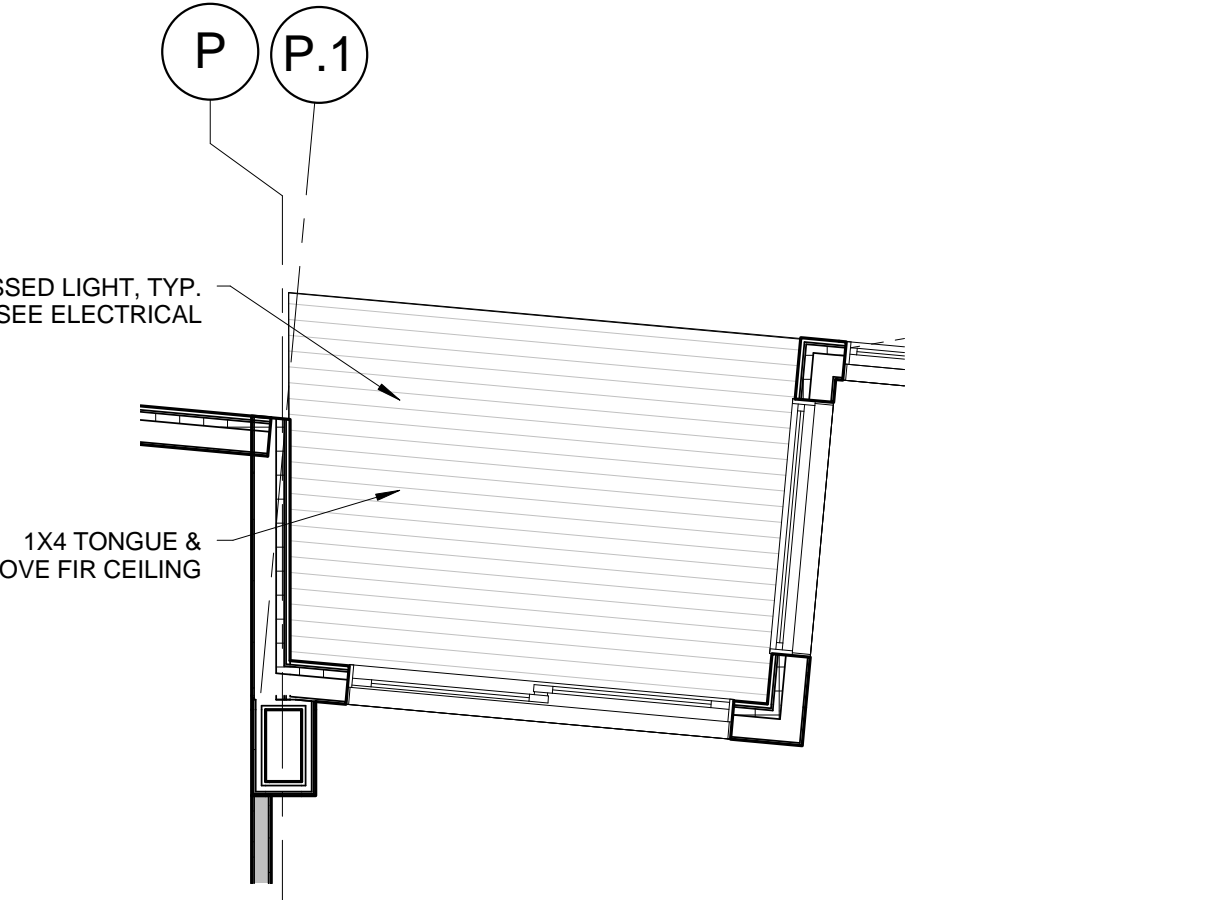
9 TYP. SECTION AT DECK
1" = 1'-0"



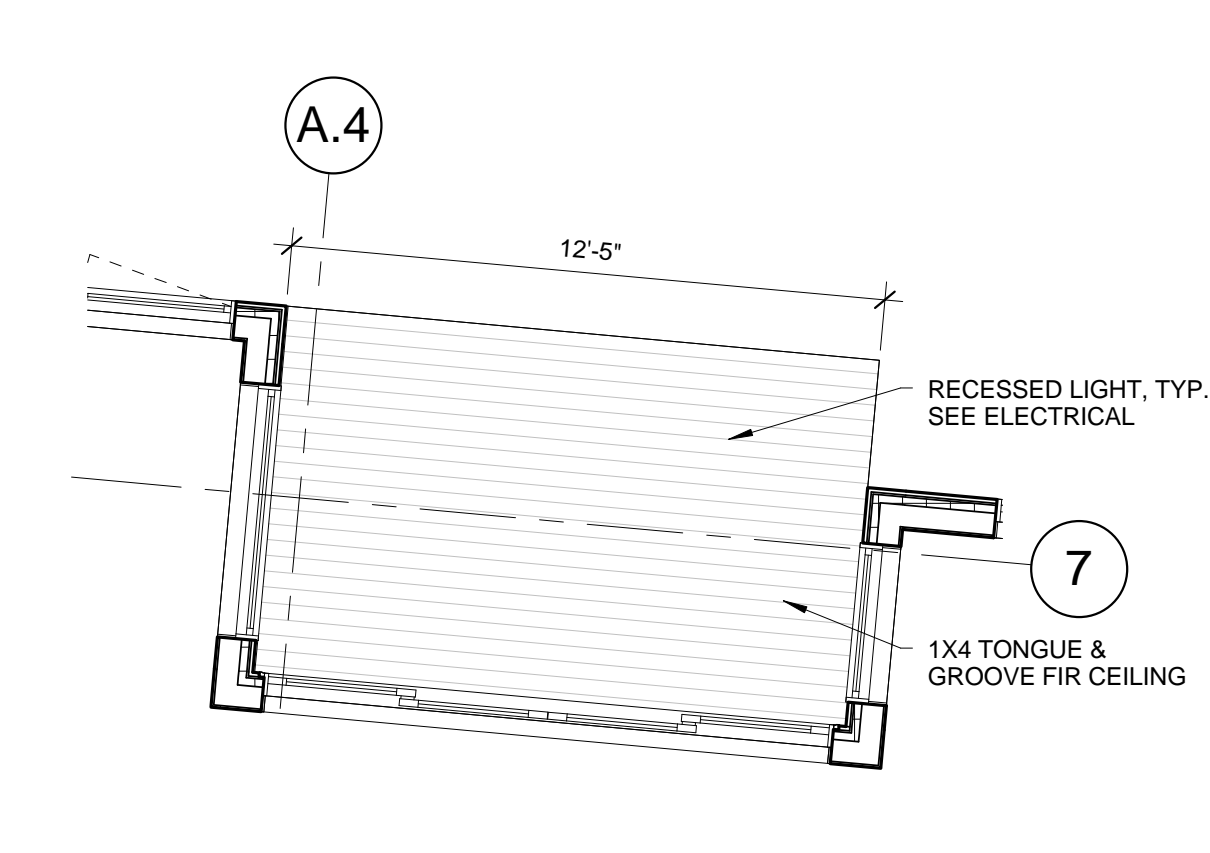
8 DECK 203,303,403 RCP
1/4" = 1'-0"



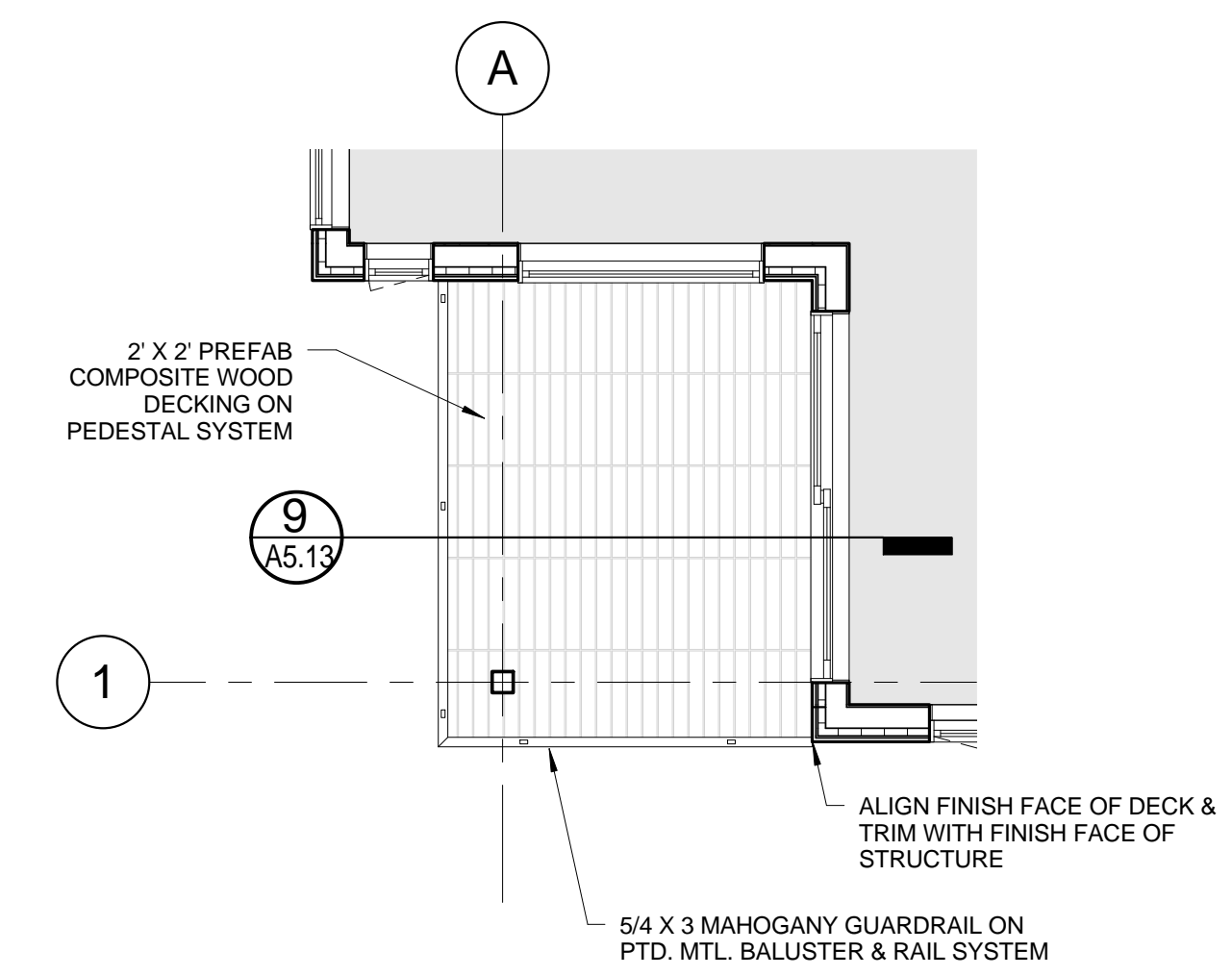
7 DECK 204,304,404 RCP
1/4" = 1'-0"



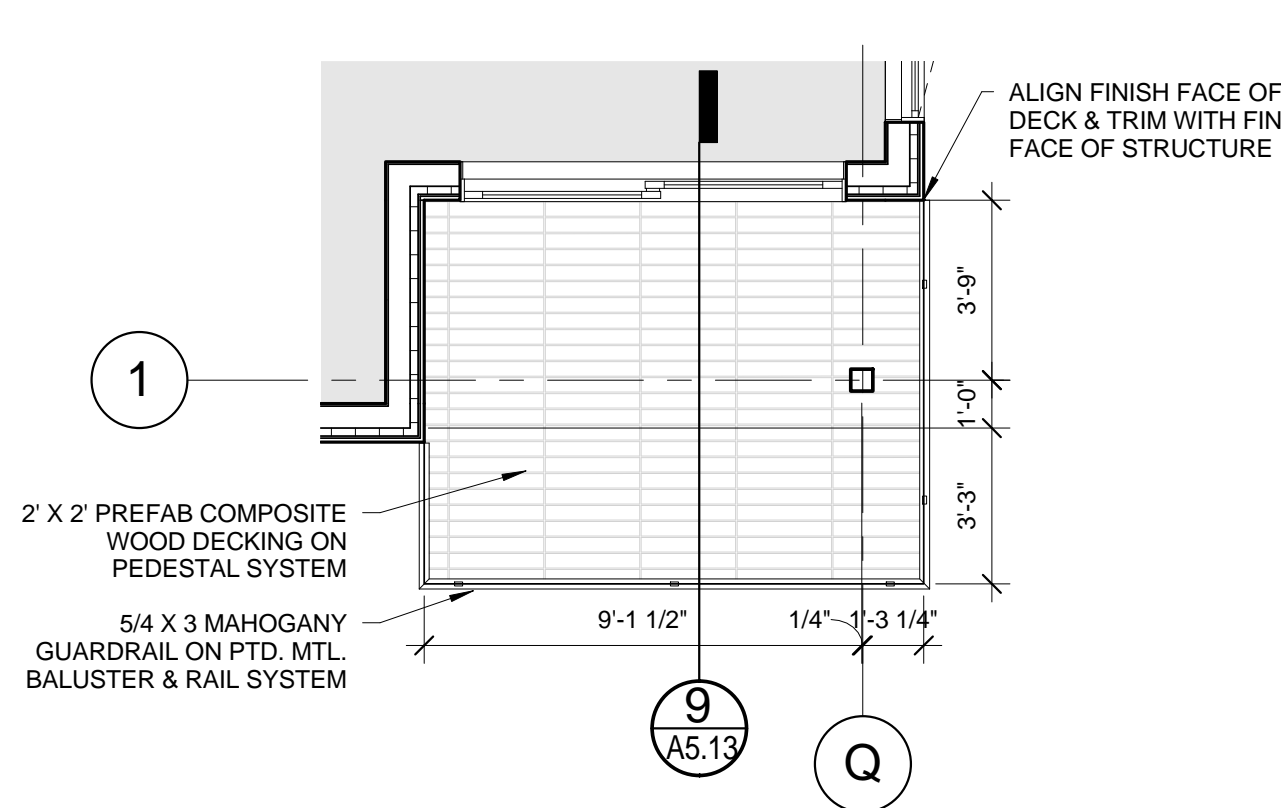
6 DECK 202,302,402 RCP
1/4" = 1'-0"



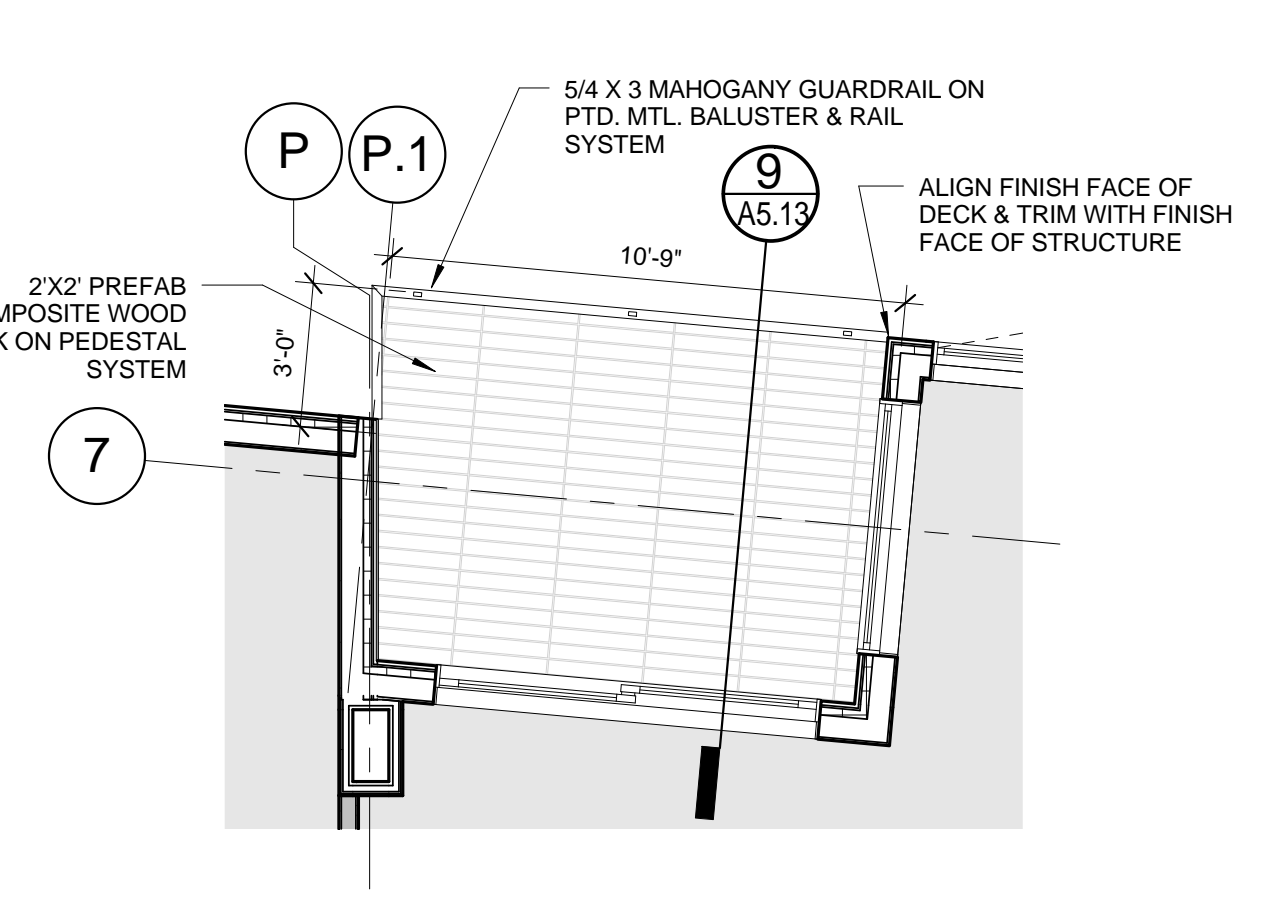
5 DECK 201,301,401 RCP
1/4" = 1'-0"



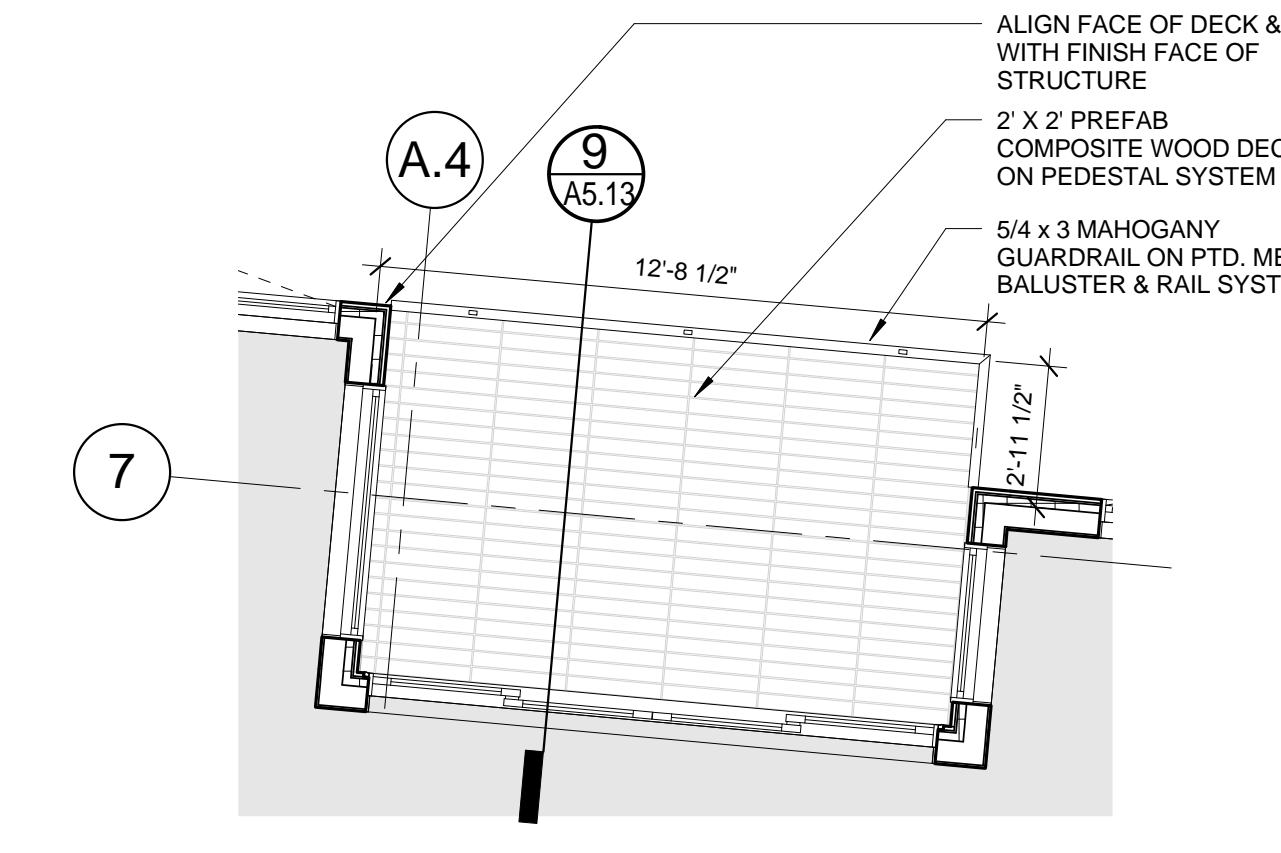
4 TYP. DECK PLAN AT 203,303,403
1/4" = 1'-0"



3 TYP. DECK PLAN AT 204,304,404
1/4" = 1'-0"



2 TYP. DECK PLAN AT 202,302,402
1/4" = 1'-0"



1 TYP. DECK PLAN AT 201,301,401
1/4" = 1'-0"