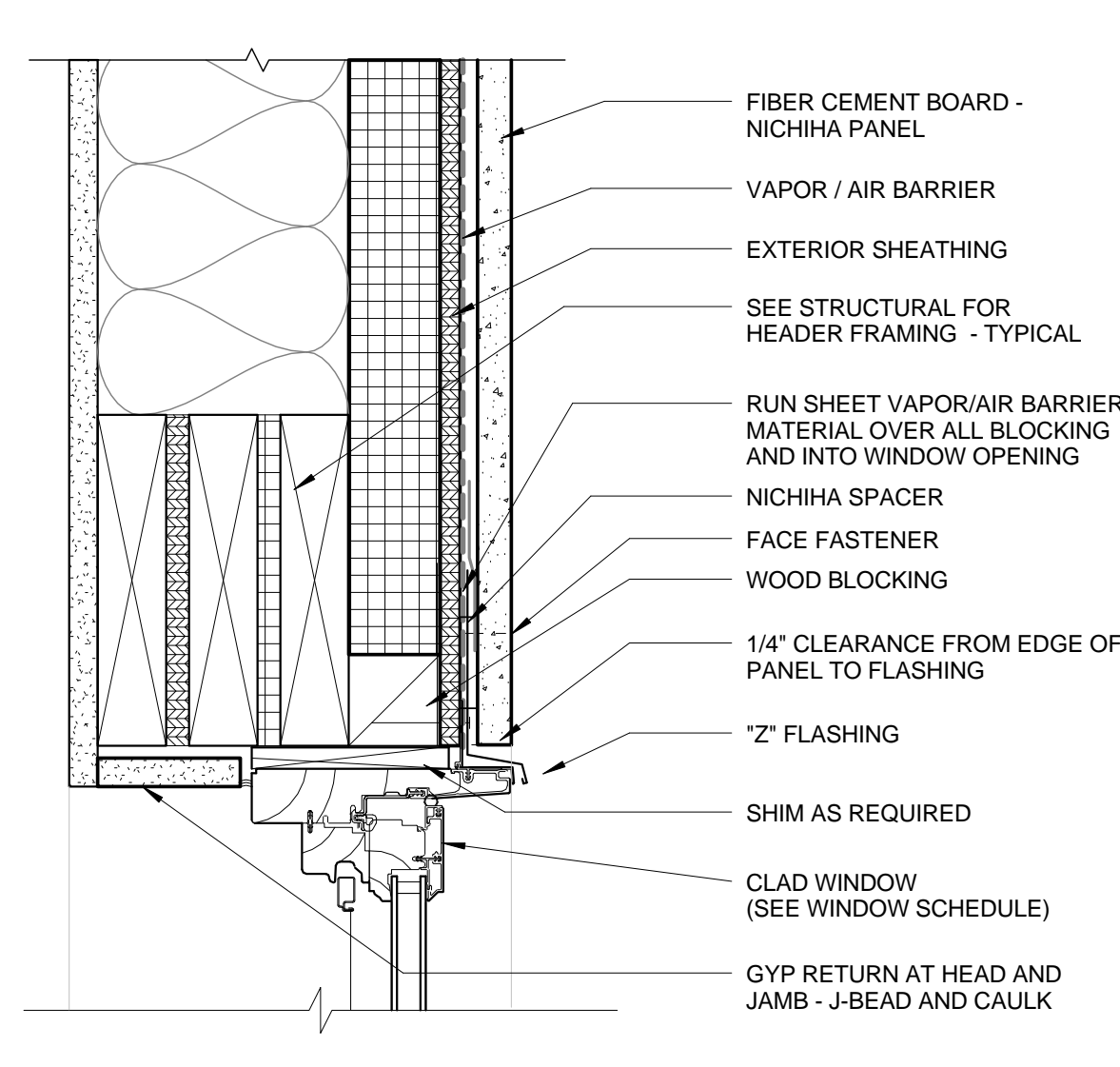
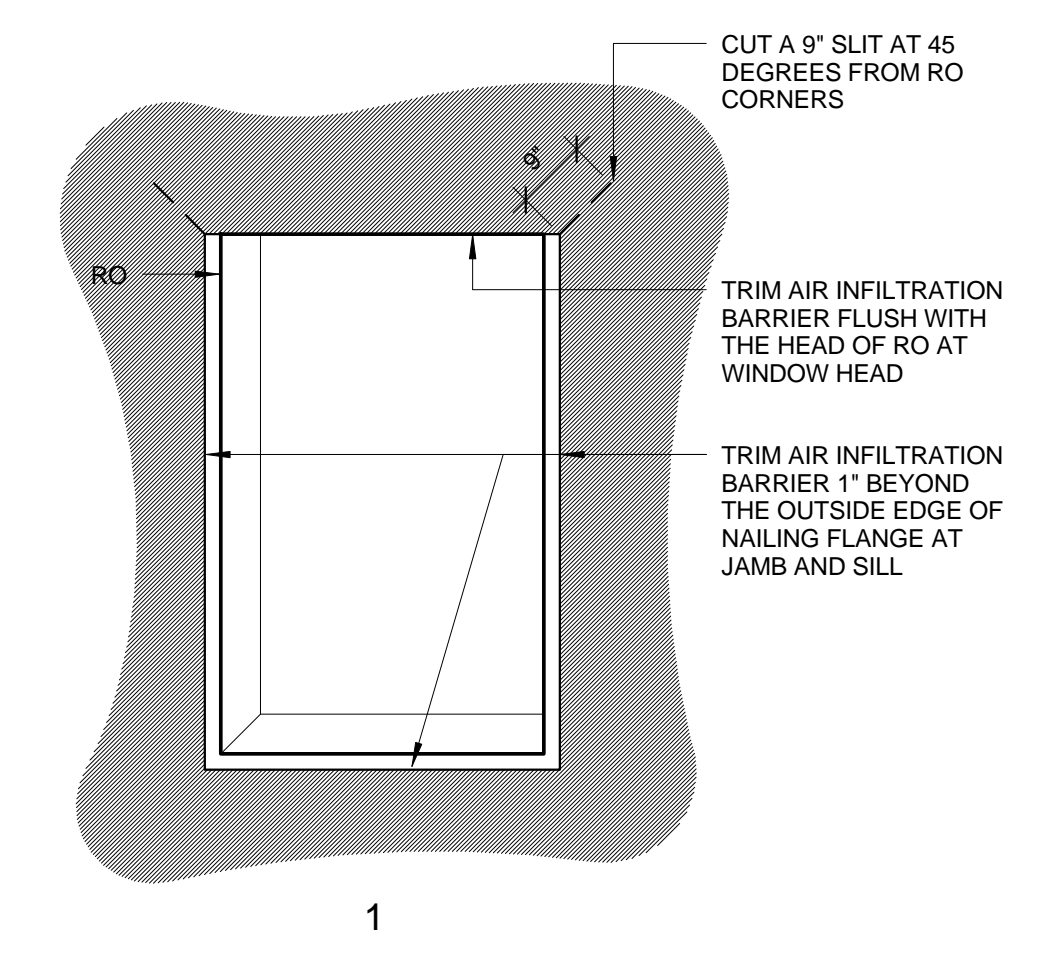


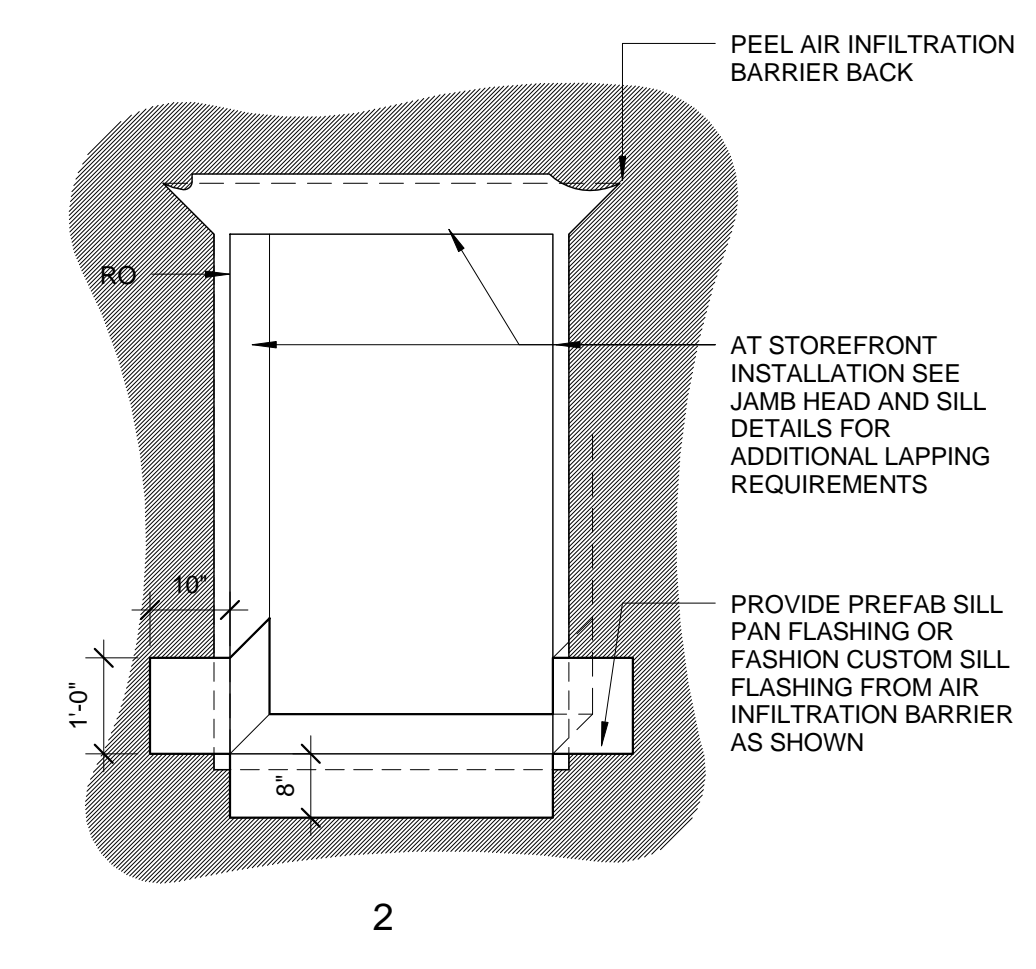
4 | TYPICAL WINDOW HEAD - ALUM ST.FRONT
3" = 1'-0"



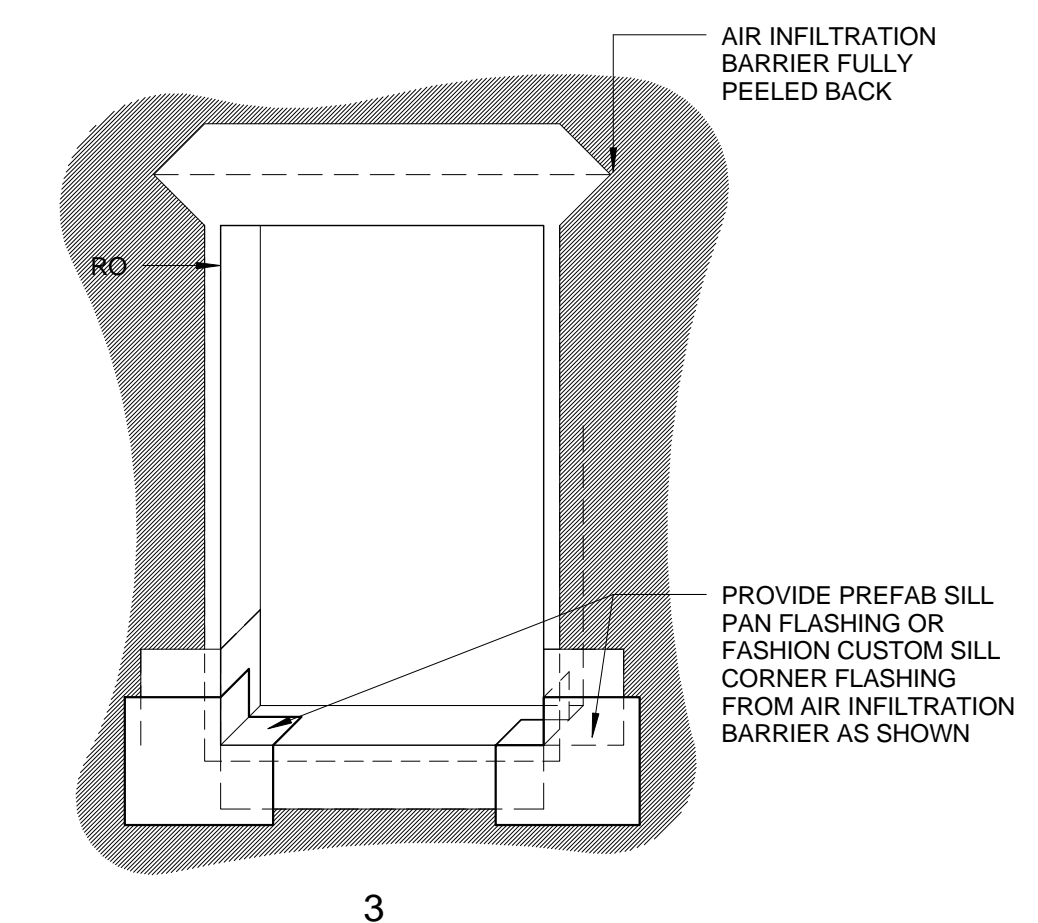
1 | TYPICAL WINDOW HEAD DETAIL
3" = 1'-0"



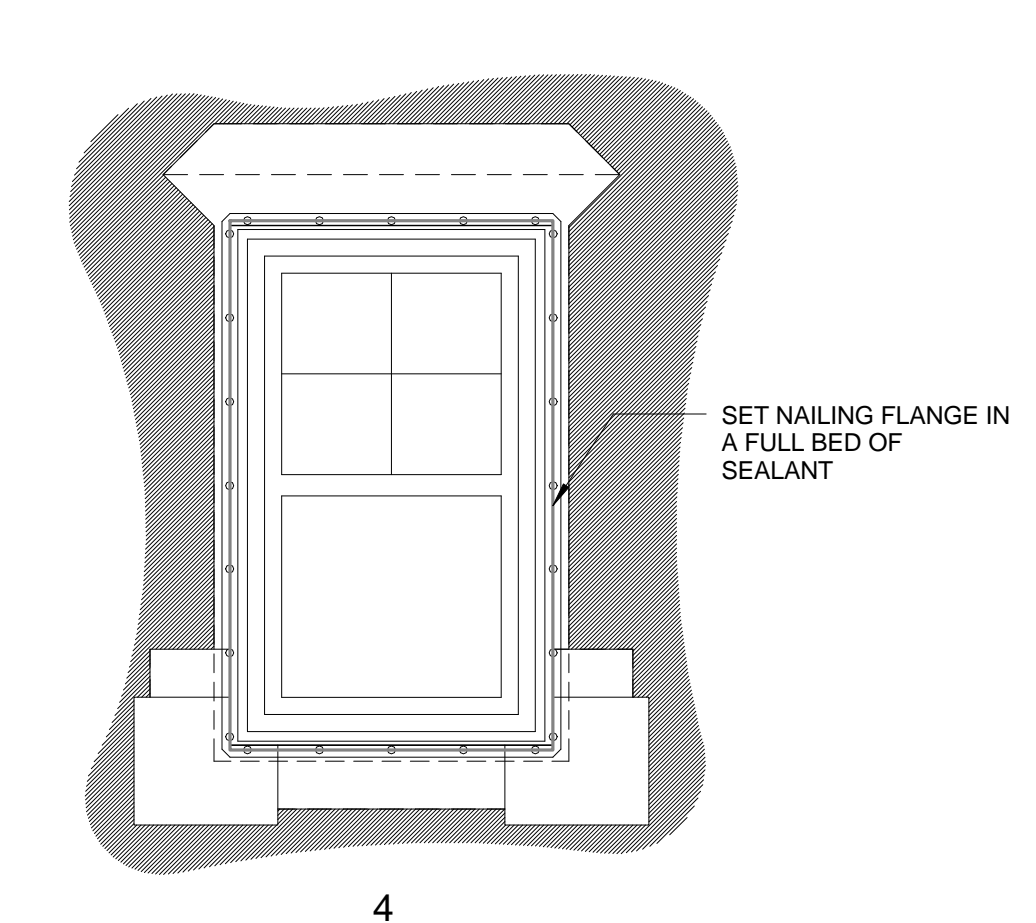
1



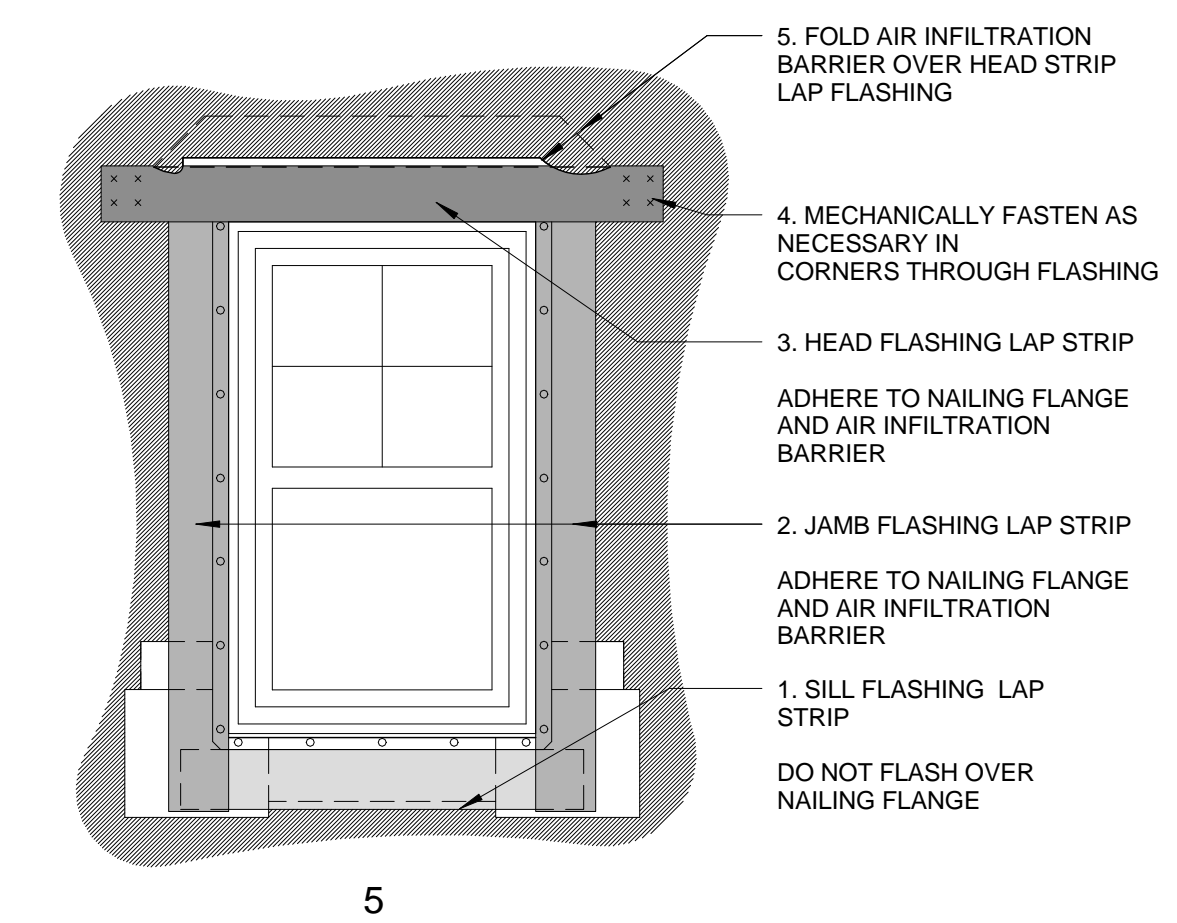
2



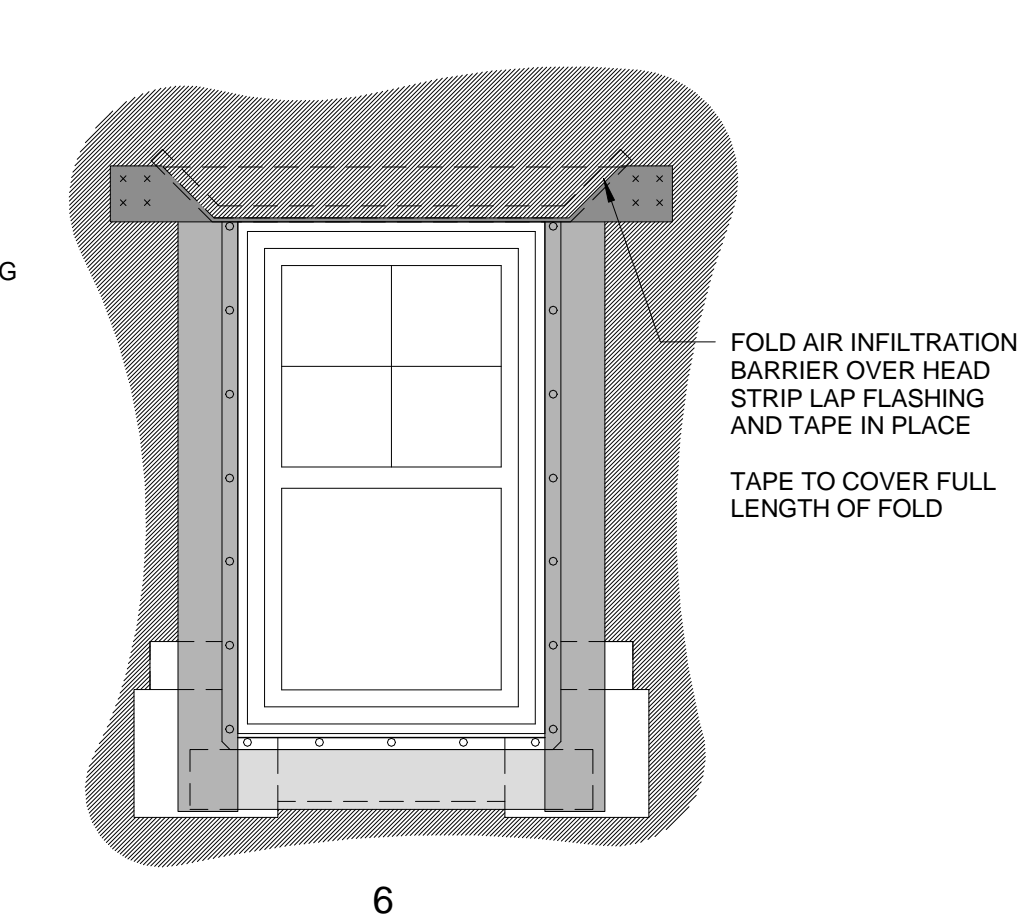
3



4



5



6

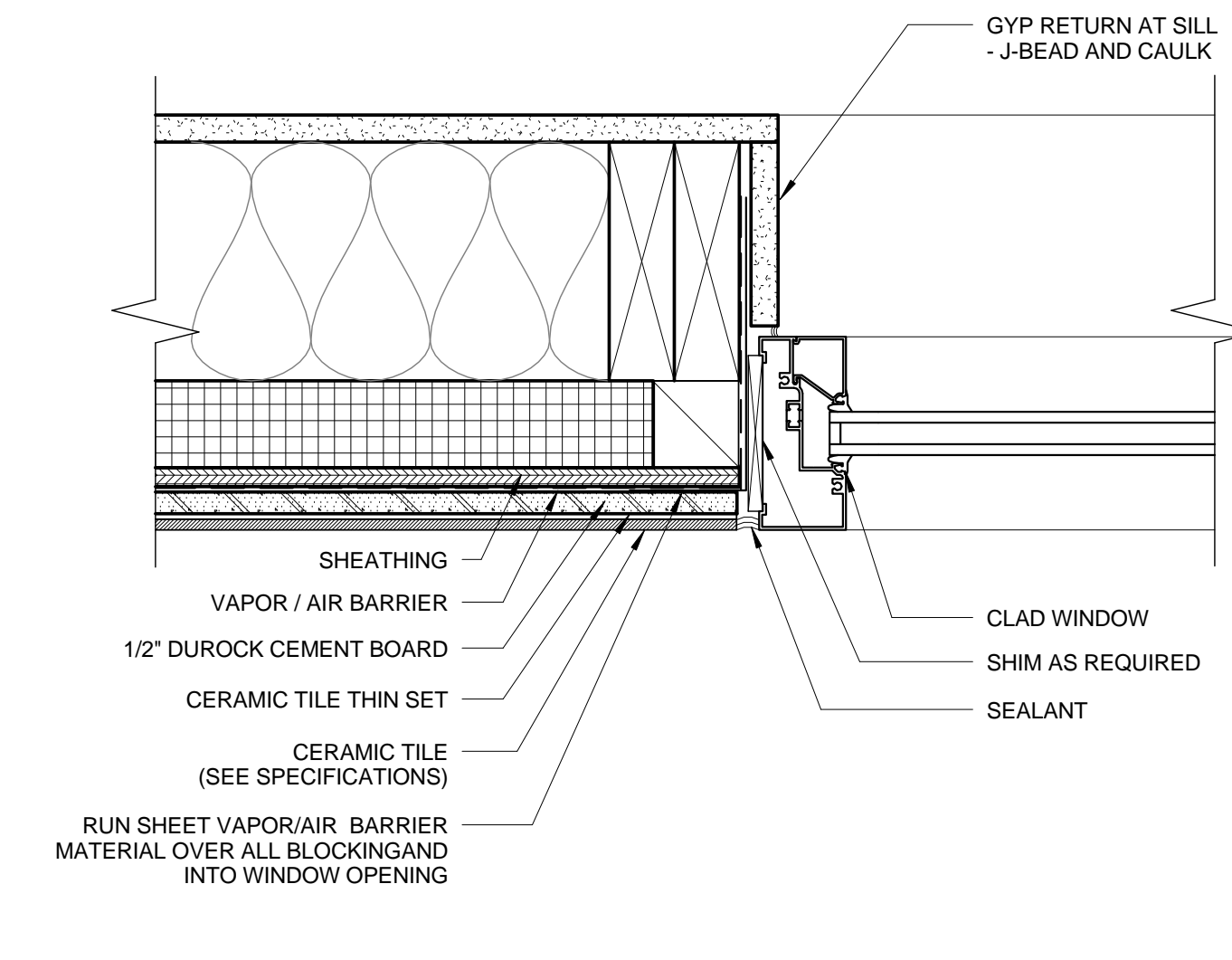
LAP STRIP HEAD, JAMB AND SILL FLASHING. INSTALL IN ORDER OF NUMBERING

ORDER OF INSTALLATION OF WATER PROOFING AT WINDOWS. WATER PROOFING AT STOREFRONT AND DOORS USE STEPS 1-3

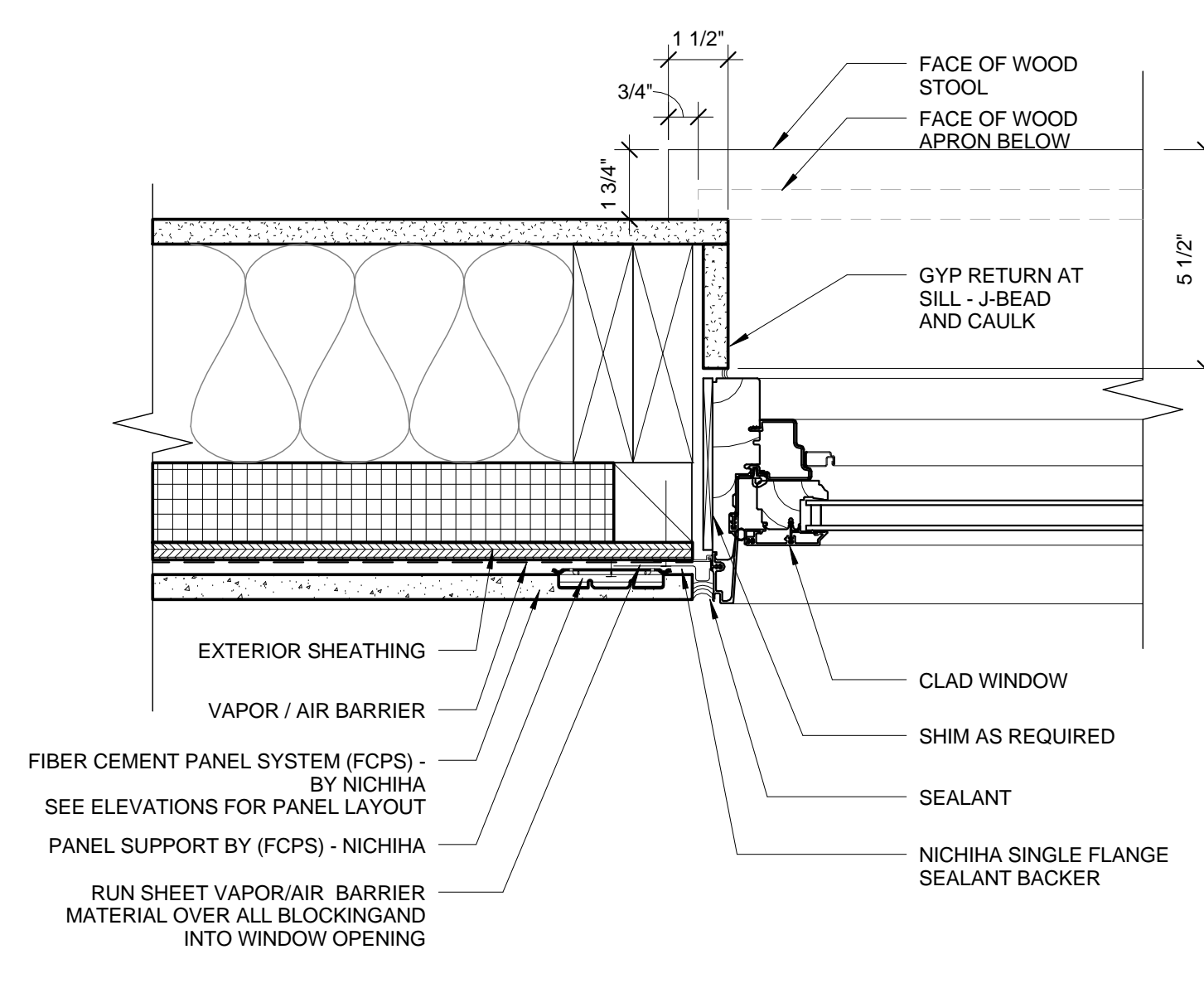
NOTE: MOCK-UP FIRST WINDOW TO BE APPROVED BY AND ARCHITECT PRIOR TO ANY INSTALLATION

- NOTES:
1. INSTALL AIR INFILTRATION BARRIER IN ORDER AS SHOWN BY NUMBERS.
2. IF APPLICABLE, LEAVE RELEASE PAPER ON LOWER HALF OF SILL FLASHING UNTIL FUTURE TIE-IN.
3. INSTALL FLASHING AND AIR INFILTRATION BARRIER TO FORM WATER SHEDDING LAPS
4. COORDINATE WITH FLASHING REQUIREMENTS OF WINDOW MANUFACTURER
5. FOLLOW MANUFACTURER'S RECOMMENDATIONS FOR INSTALLATION.

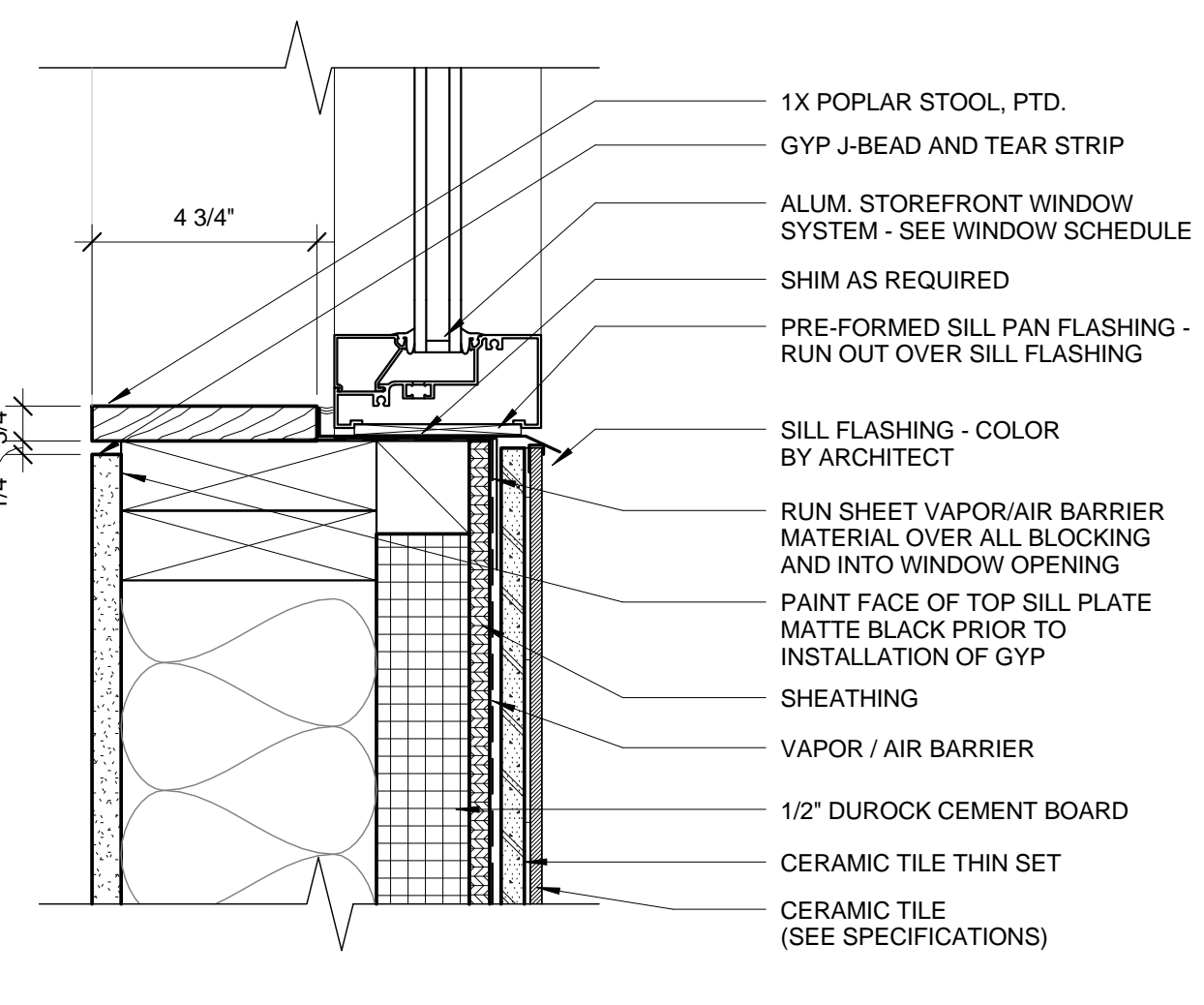
9 | ORDER OF INSTALLATION OF WATERPROOFING AT WINDOWS
1/2" = 1'-0"



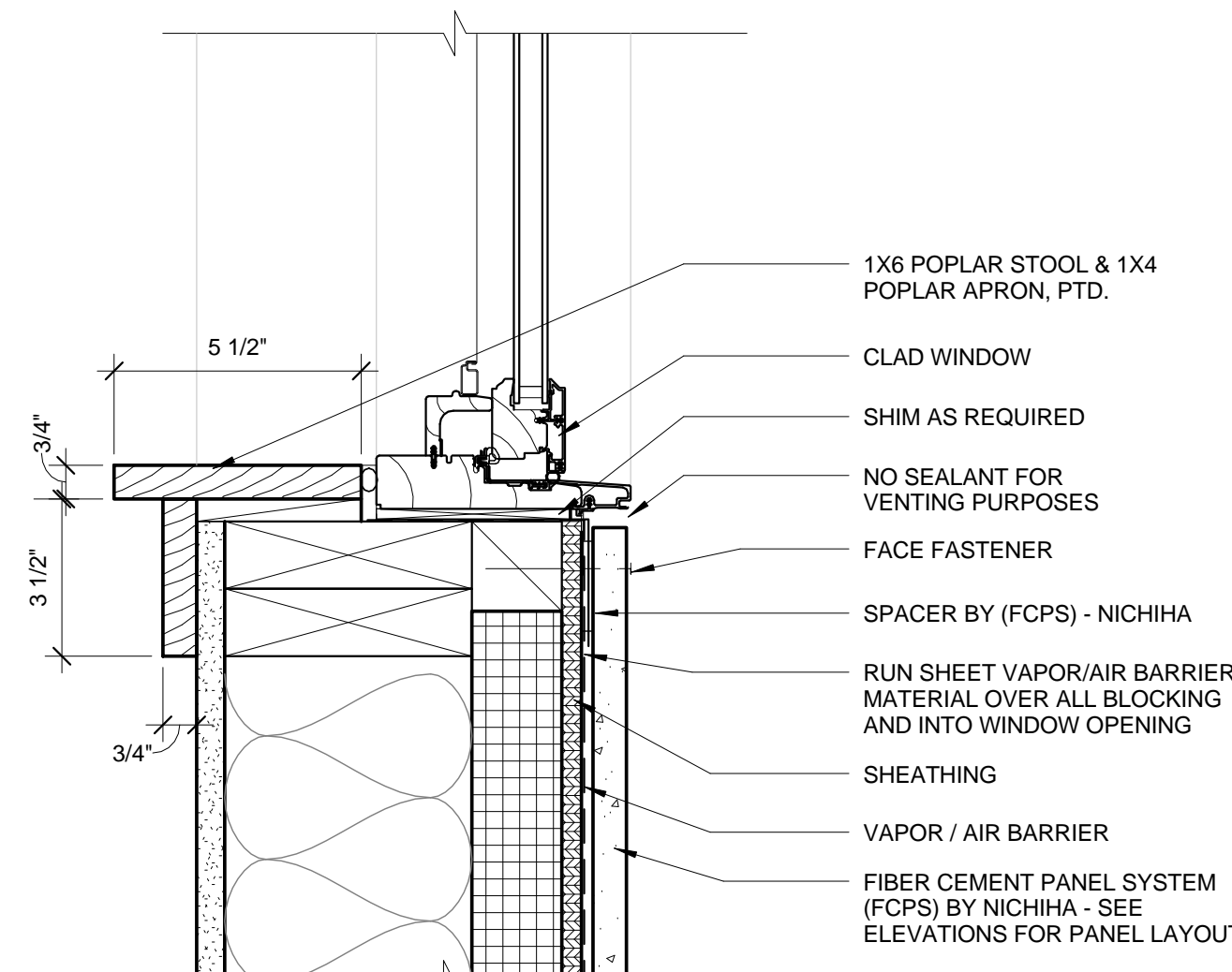
5 | TYPICAL WINDOW JAMB DETAIL - ALUM ST.FRONT
3" = 1'-0"



2 | TYPICAL WINDOW JAMB DETAIL
3" = 1'-0"



6 | TYPICAL WIN. SILL DETAIL - ALUM. ST.FRONT
3" = 1'-0"



3 | TYPICAL WINDOW SILL DETAIL
3" = 1'-0"