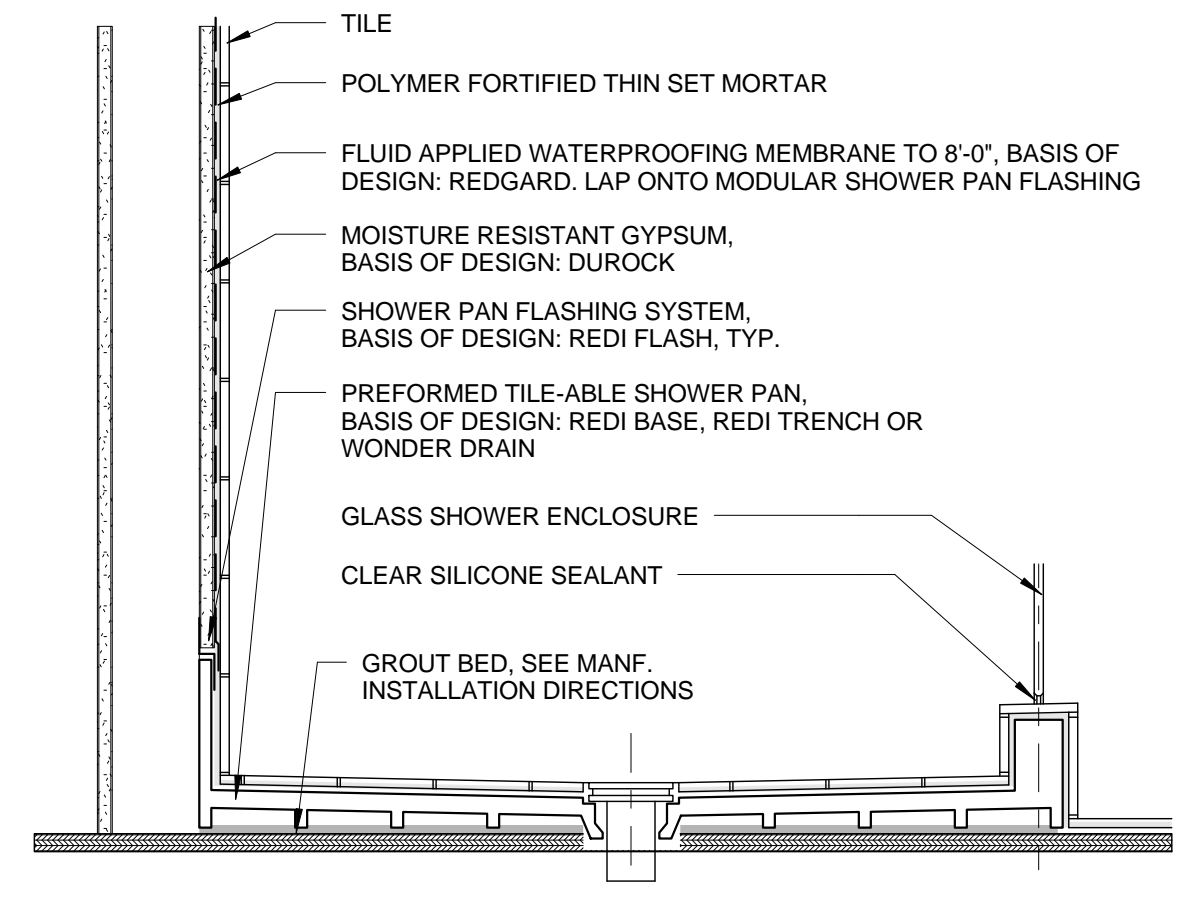


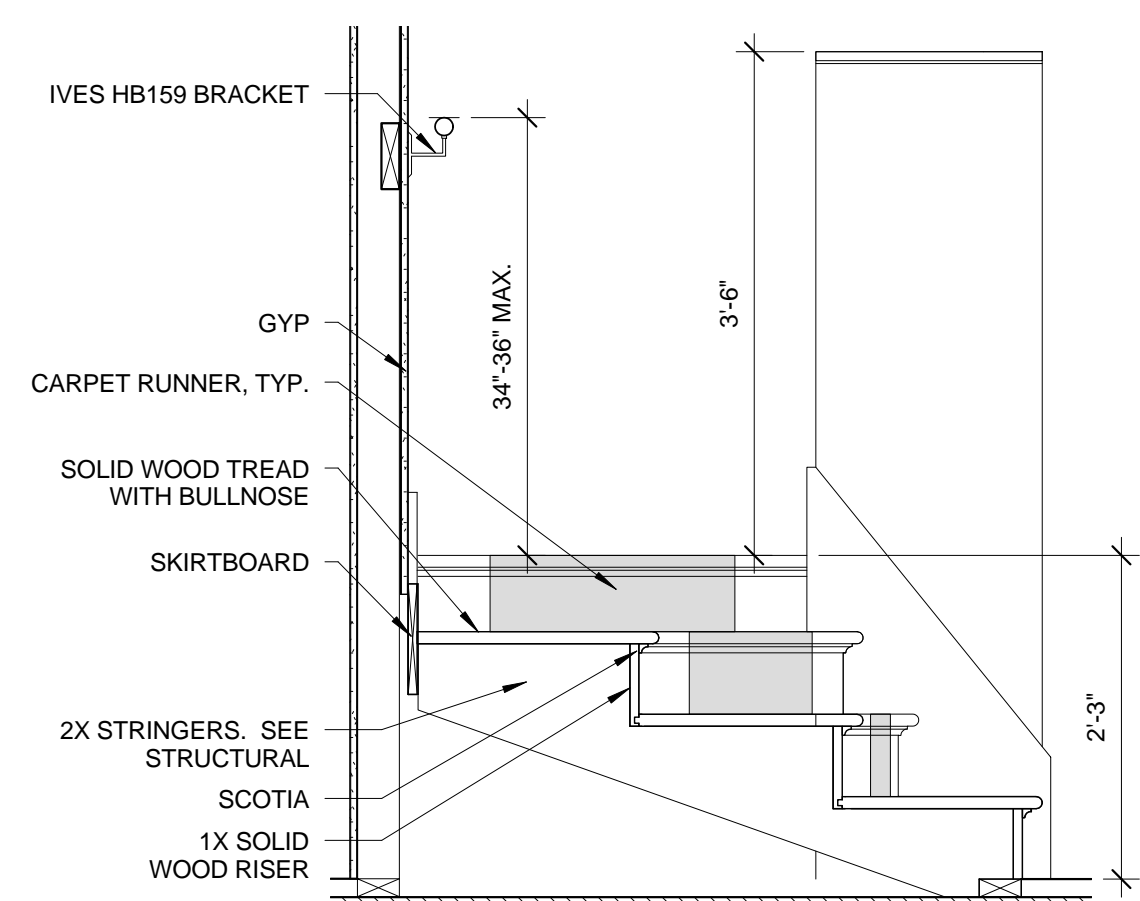
8 SHOWER PAN - CROSS SECTION

1 1/2" = 1'-0"



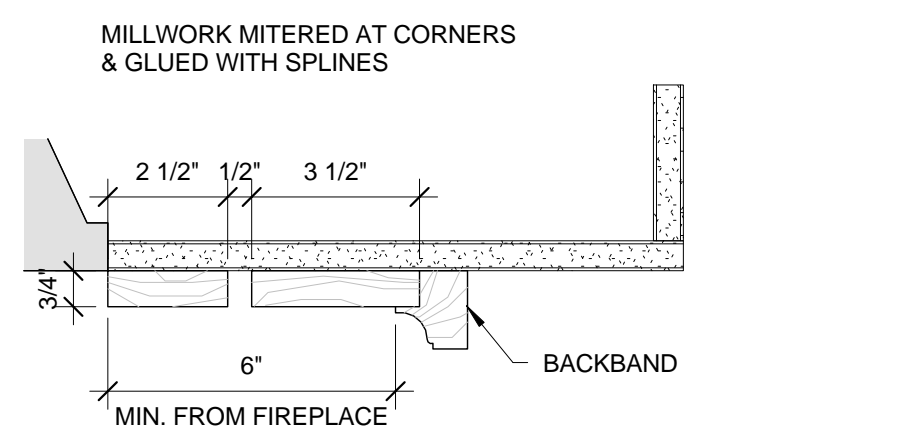
7 SHOWER PAN - SECTION

1 1/2" = 1'-0"



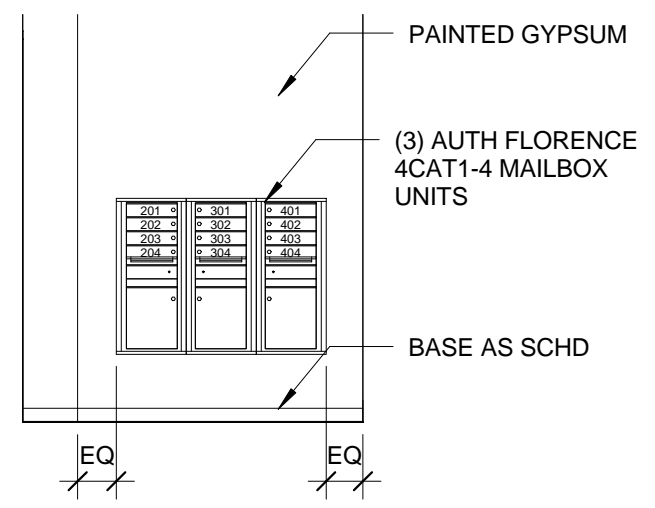
6 TYPICAL UNIT STAIR SECTION

3/4" = 1'-0"



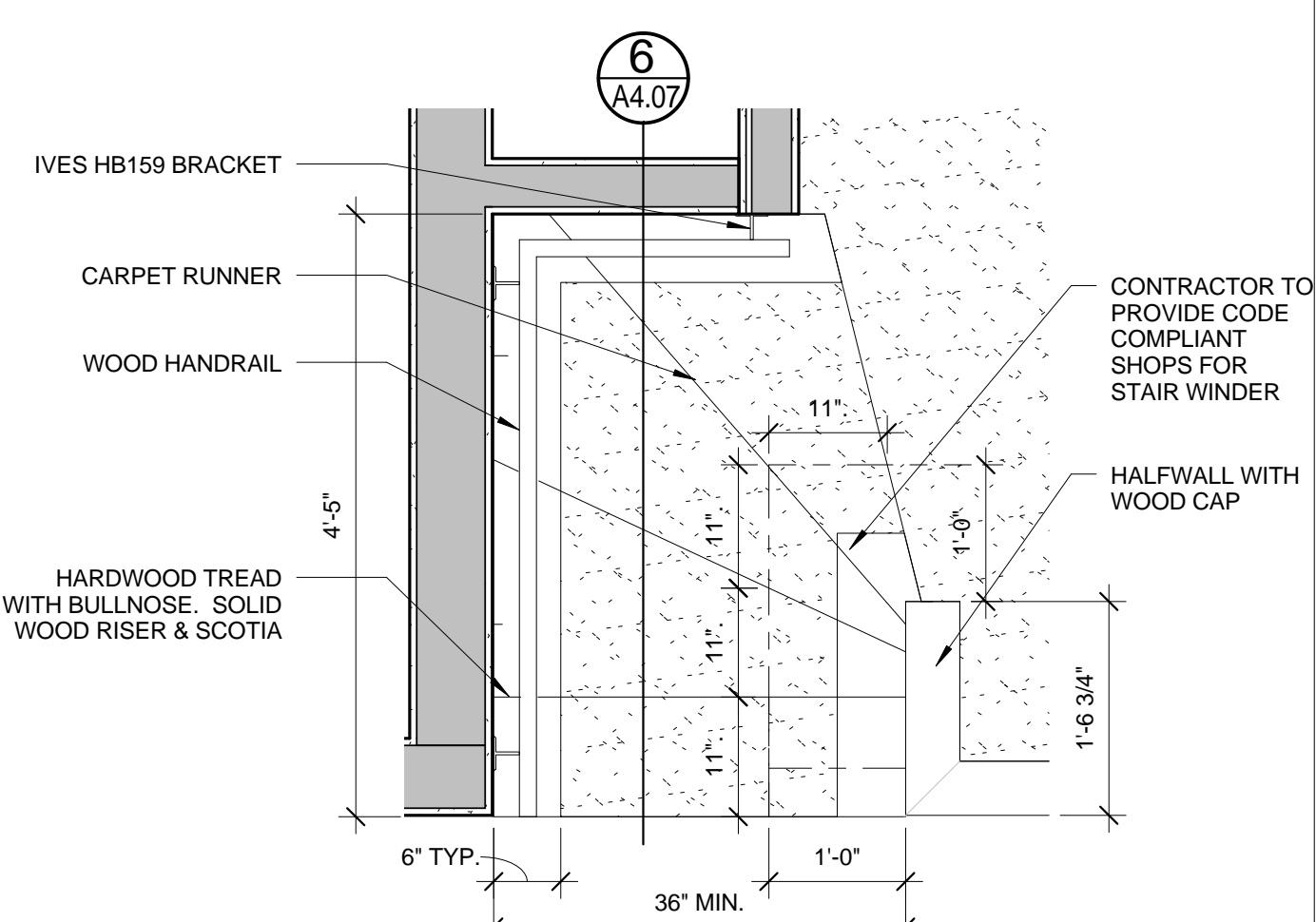
A FIREPLACE SURROUND

3" = 1'-0"



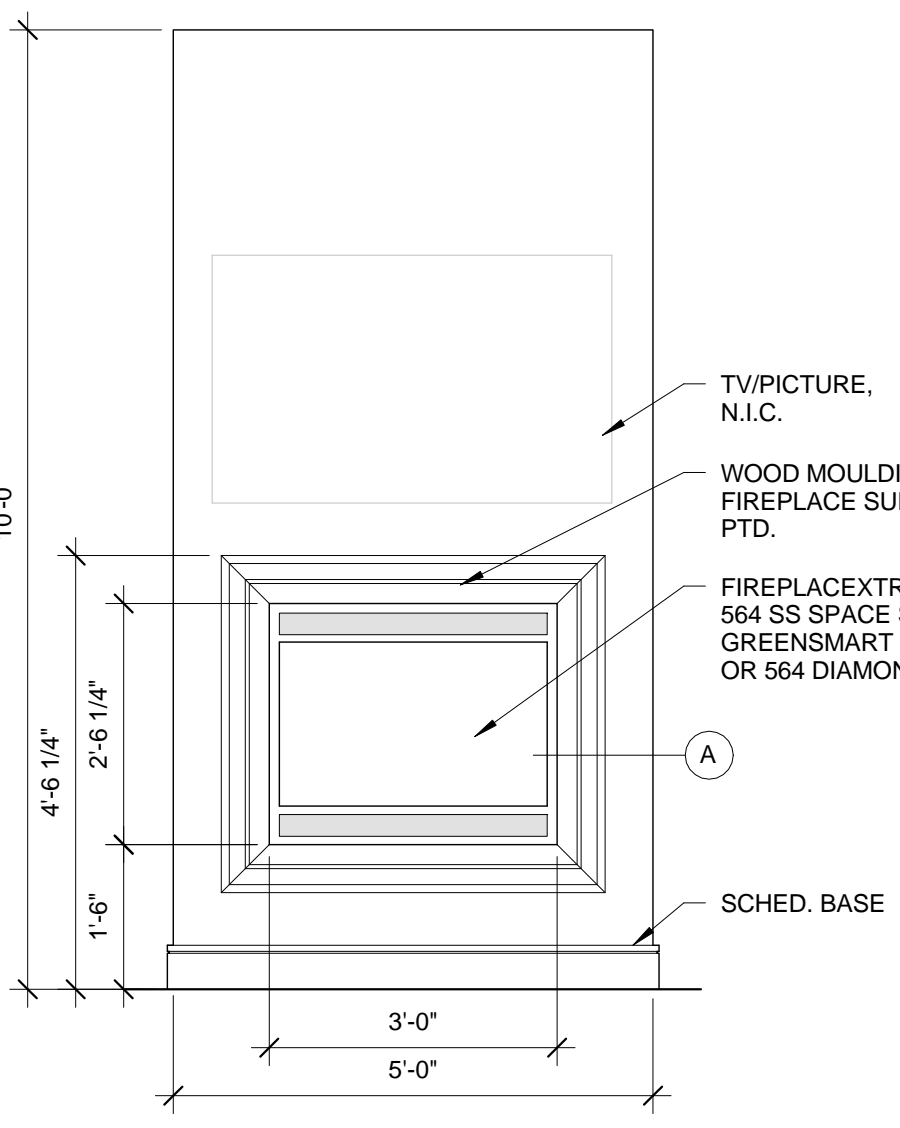
2 MAILROOM ELEVATION

1/4" = 1'-0"



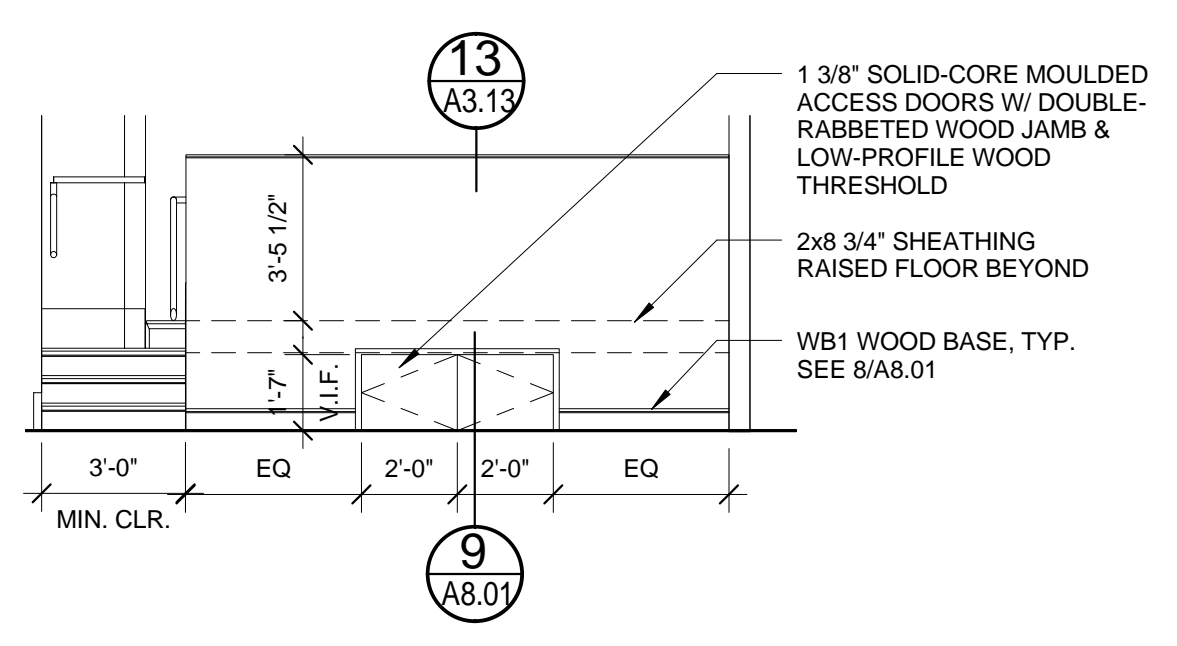
5 ENLARGED UNIT STAIR PLAN

3/4" = 1'-0"



3 TYP. FIREPLACE ELEVATION - ADD ALT

1/2" = 1'-0"



1 ACCESS DOOR ELEVATION AT HALFWALL

1/4" = 1'-0"