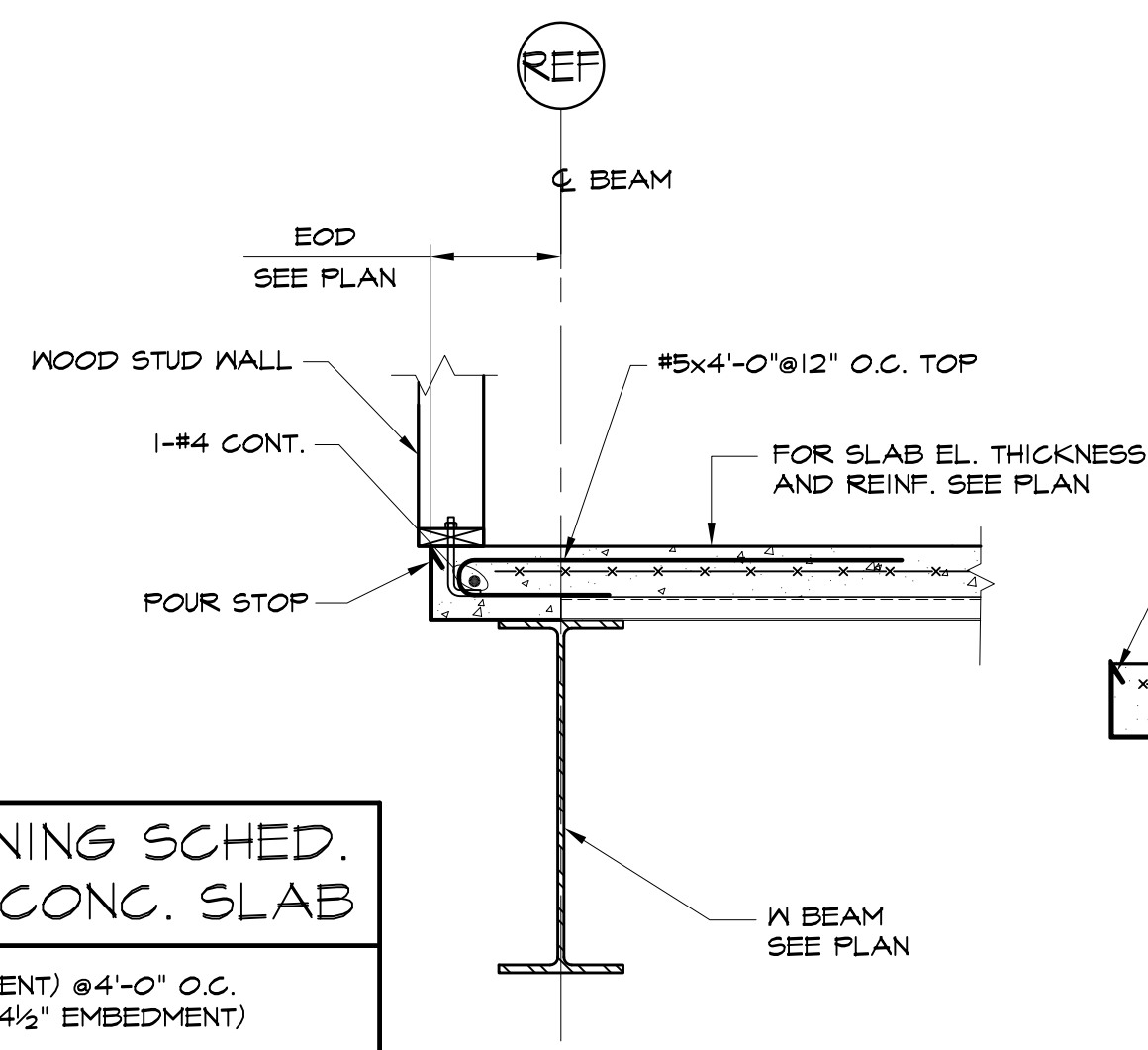
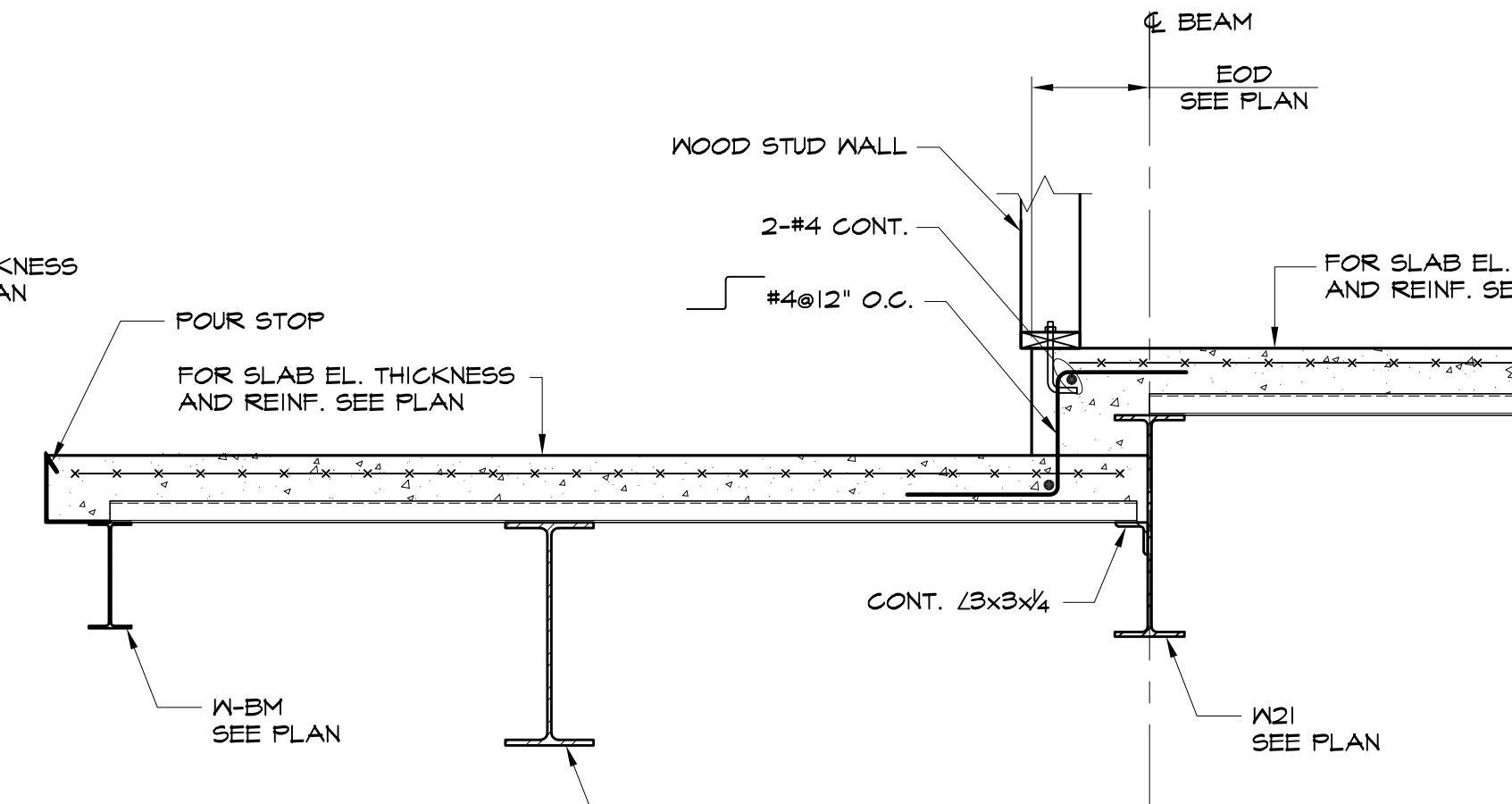


SECTION 1
3/4" = 1'-0" S6.0

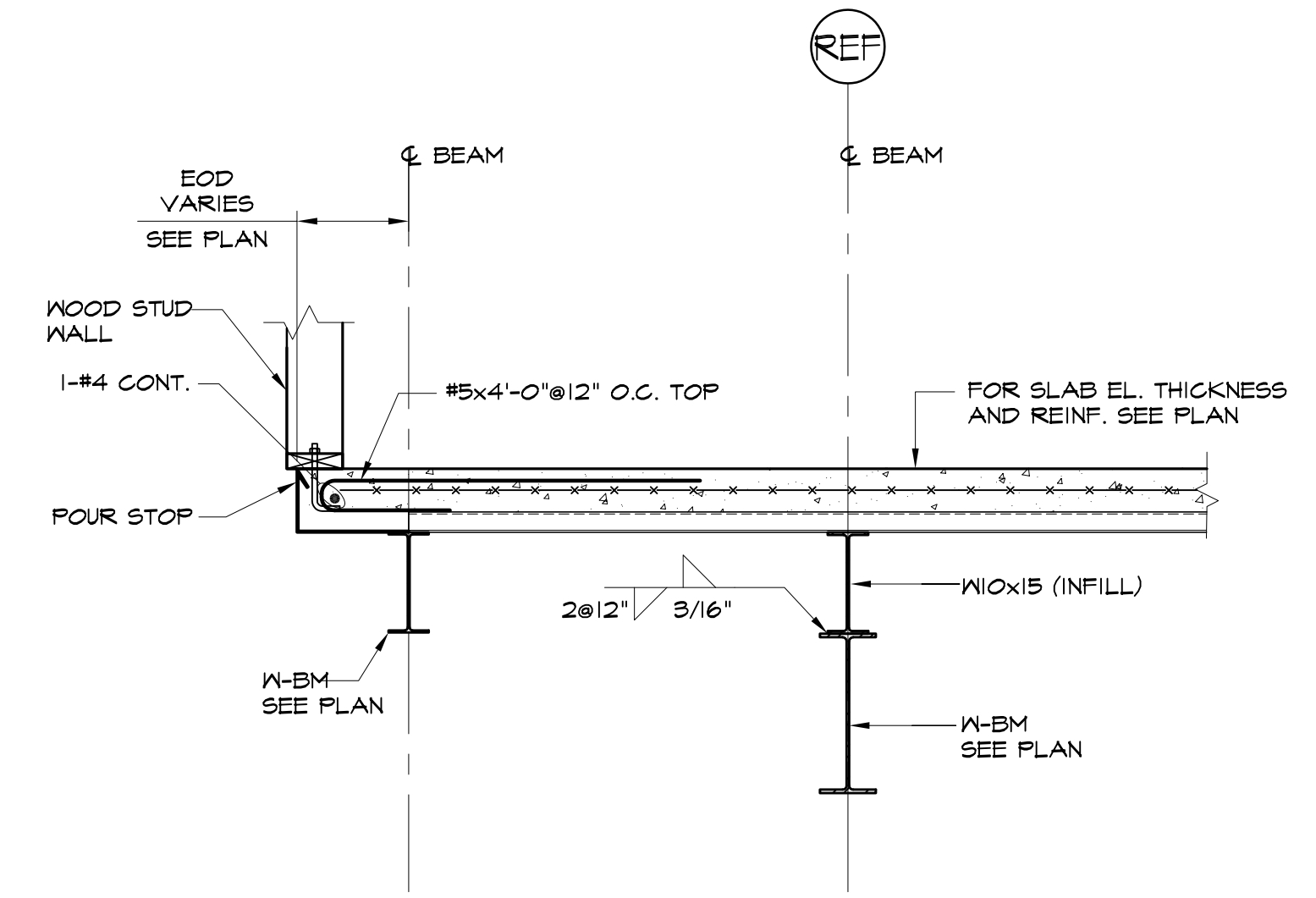
BOTTOM SILL PLATE FASTENING SCHED. FOR NON-SHEAR WALLS TO CONC. SLAB	
EXTERIOR WALL TO SLAB	<ul style="list-style-type: none"> - 1/2" Ø J-BOLT (5" EMBEDMENT) @4'-0" O.C. - 1/2" Ø SIMPSON TITEN HD (4 1/2" EMBEDMENT) @4'-0" O.C. - 1/2" Ø HILTI HIT HY 150 ADHESIVE ANCHORS w/HAS STAINLESS STEEL RODS (4" EMBEDMENT) @4'-0" O.C.
INTERIOR WALL TO SLAB	- HILTI X-CP-T2-P0-S23 PAF's @12" o.c.
FOR SHEAR WALL BOTTOM SILL PLATE FASTENING SEE SHEAR WALL SCHEDULE.	



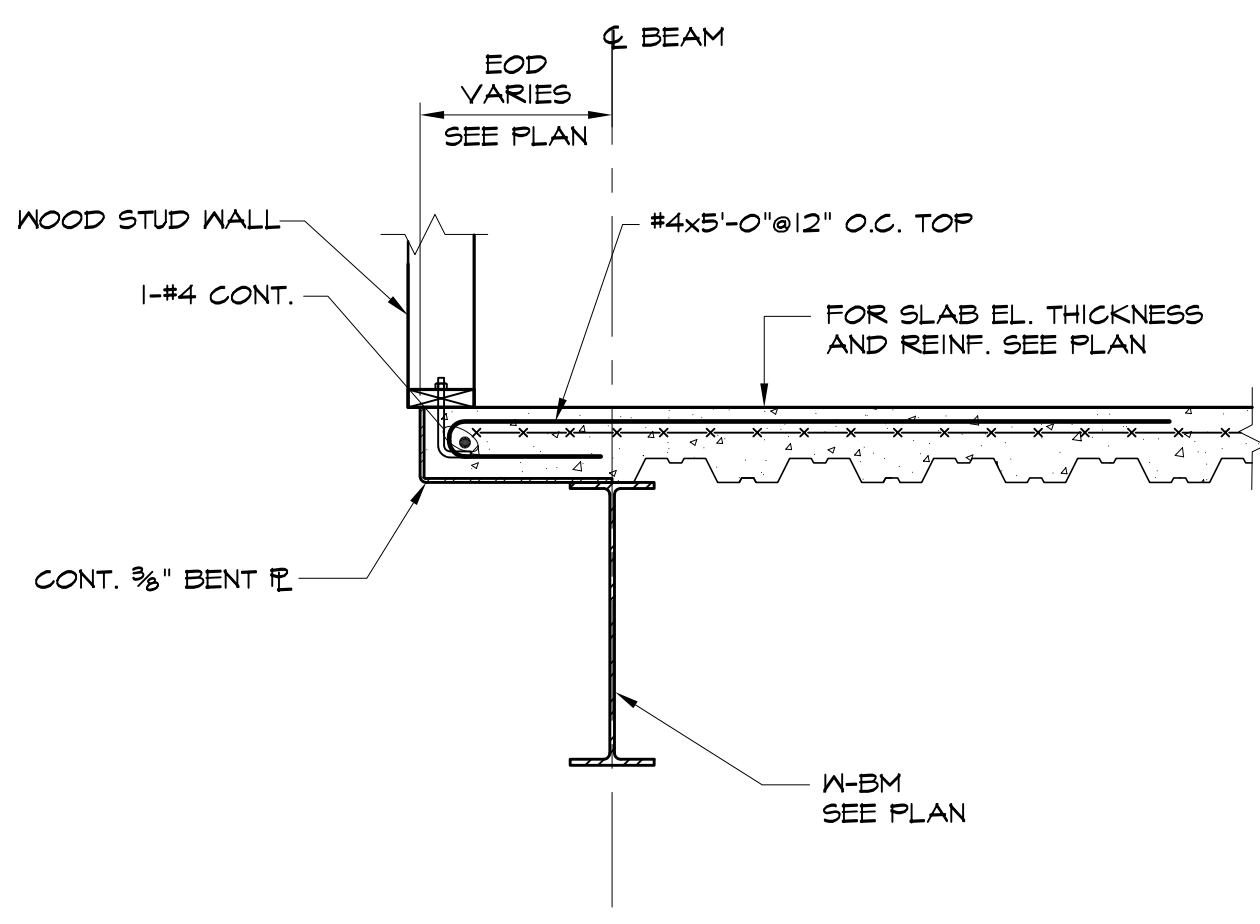
SECTION 2
3/4" = 1'-0" S6.0



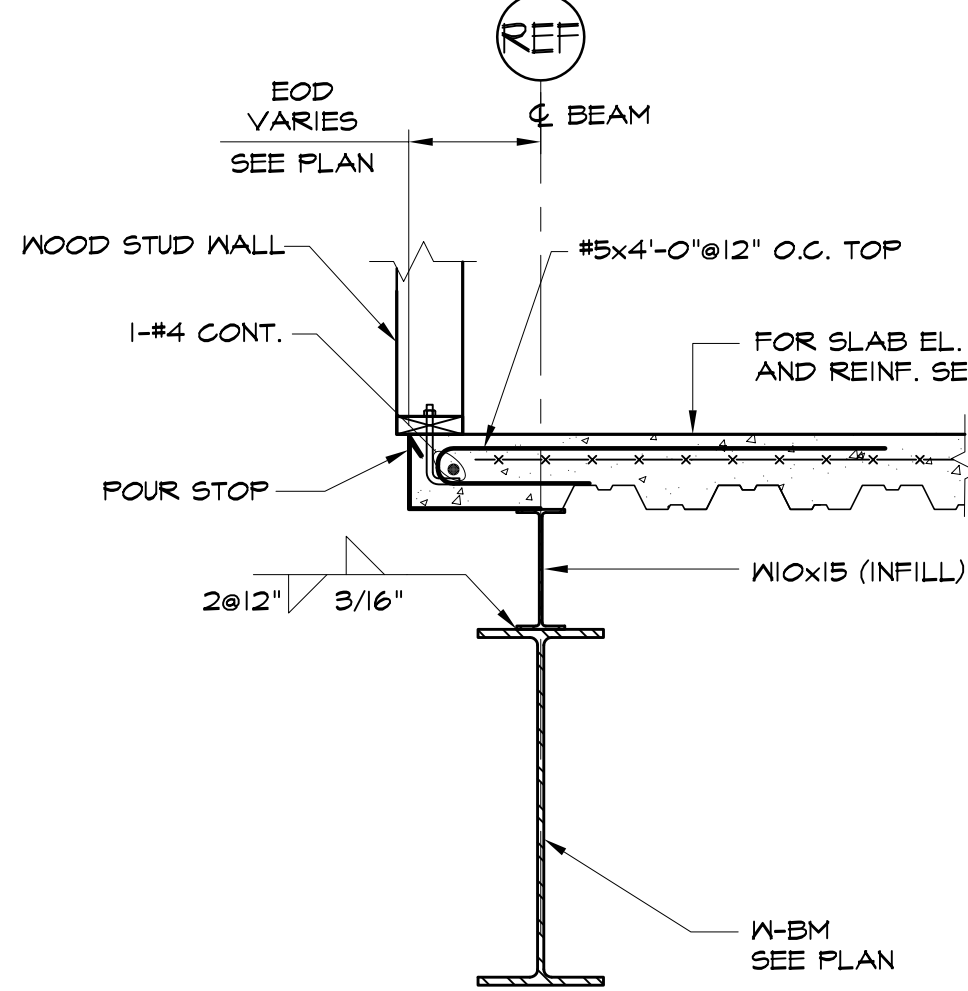
SECTION 3
3/4" = 1'-0" S6.0



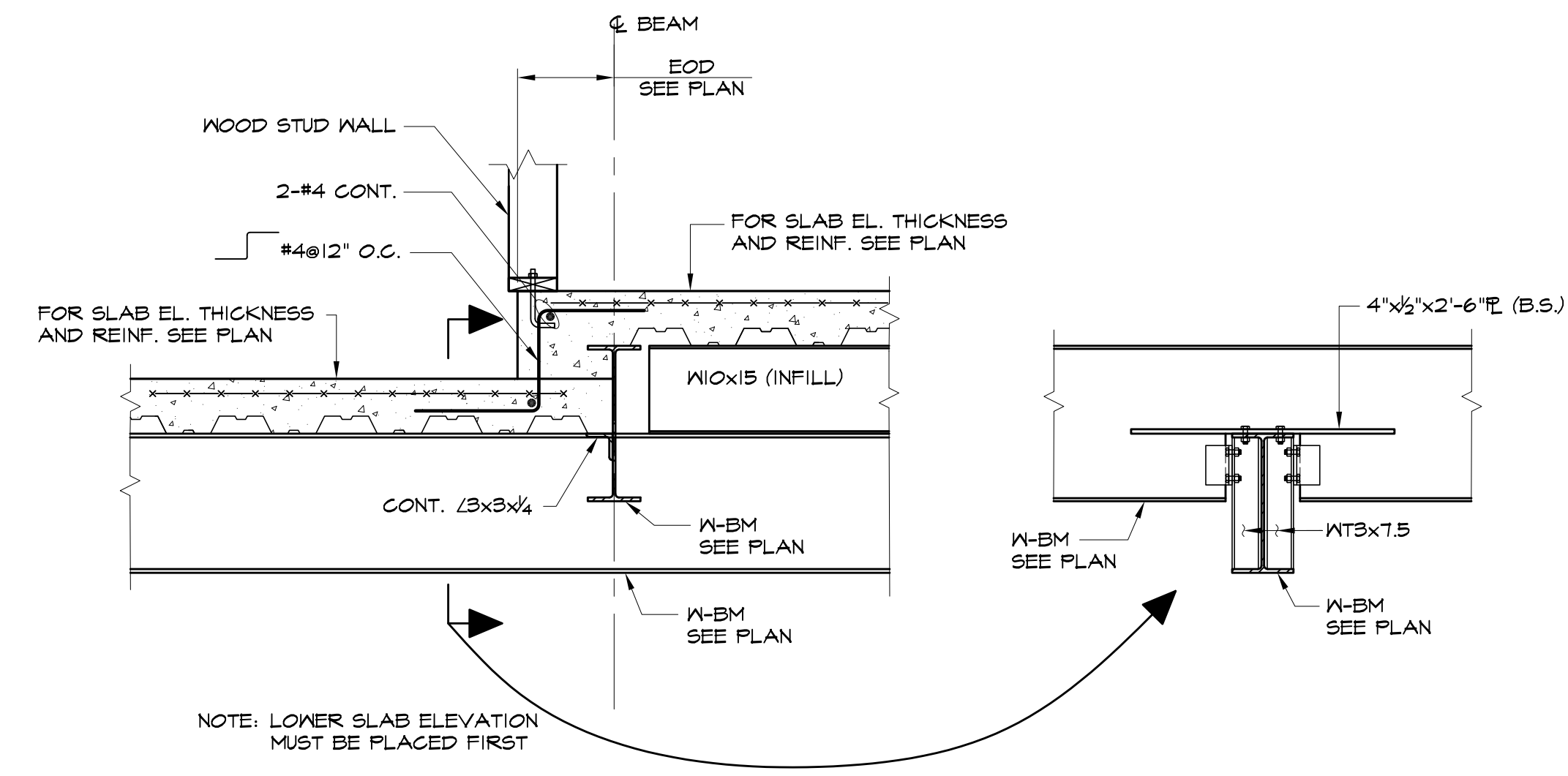
SECTION 4
3/4" = 1'-0" S6.0



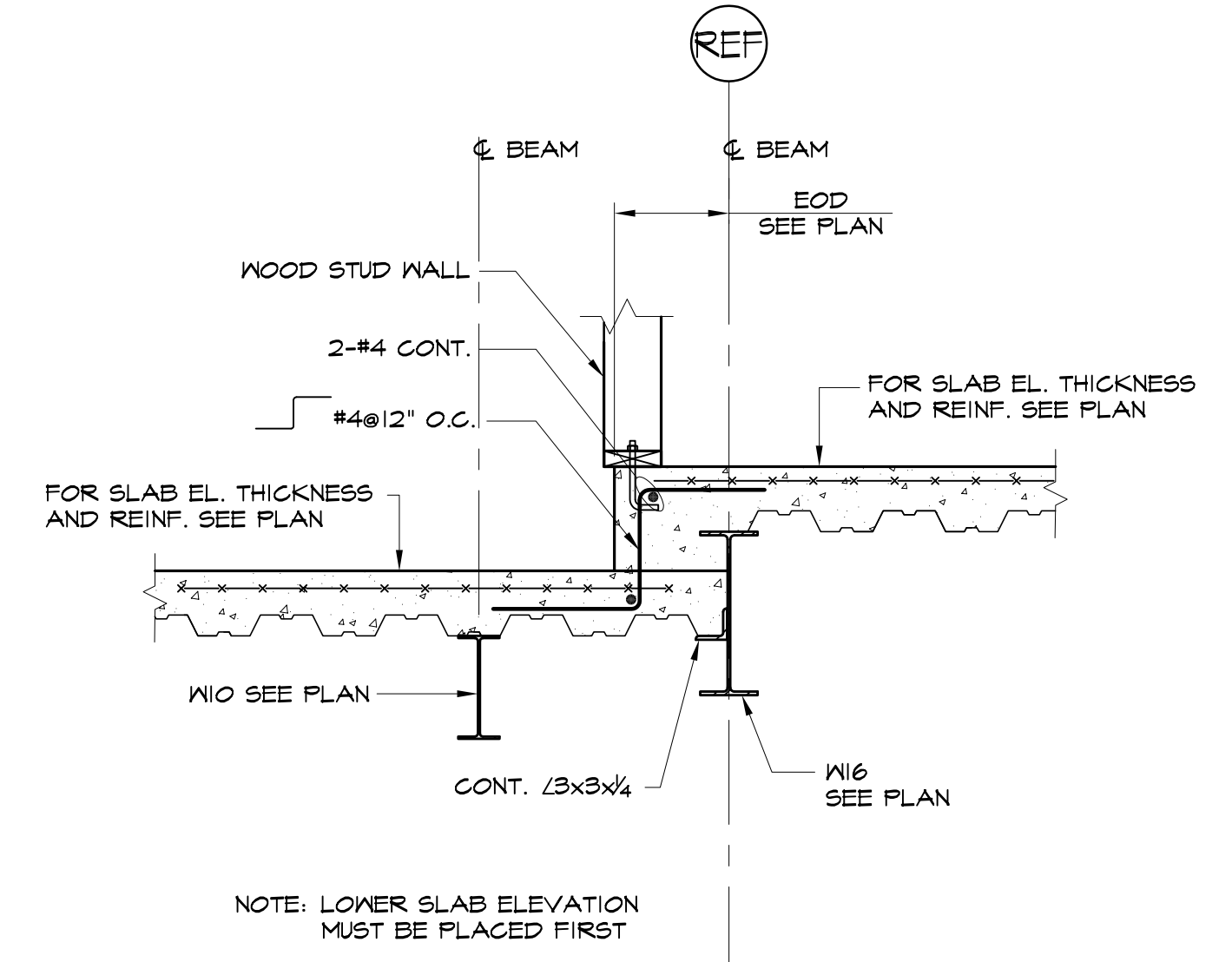
SECTION 5
3/4" = 1'-0" S6.0



SECTION 6
3/4" = 1'-0" S6.0

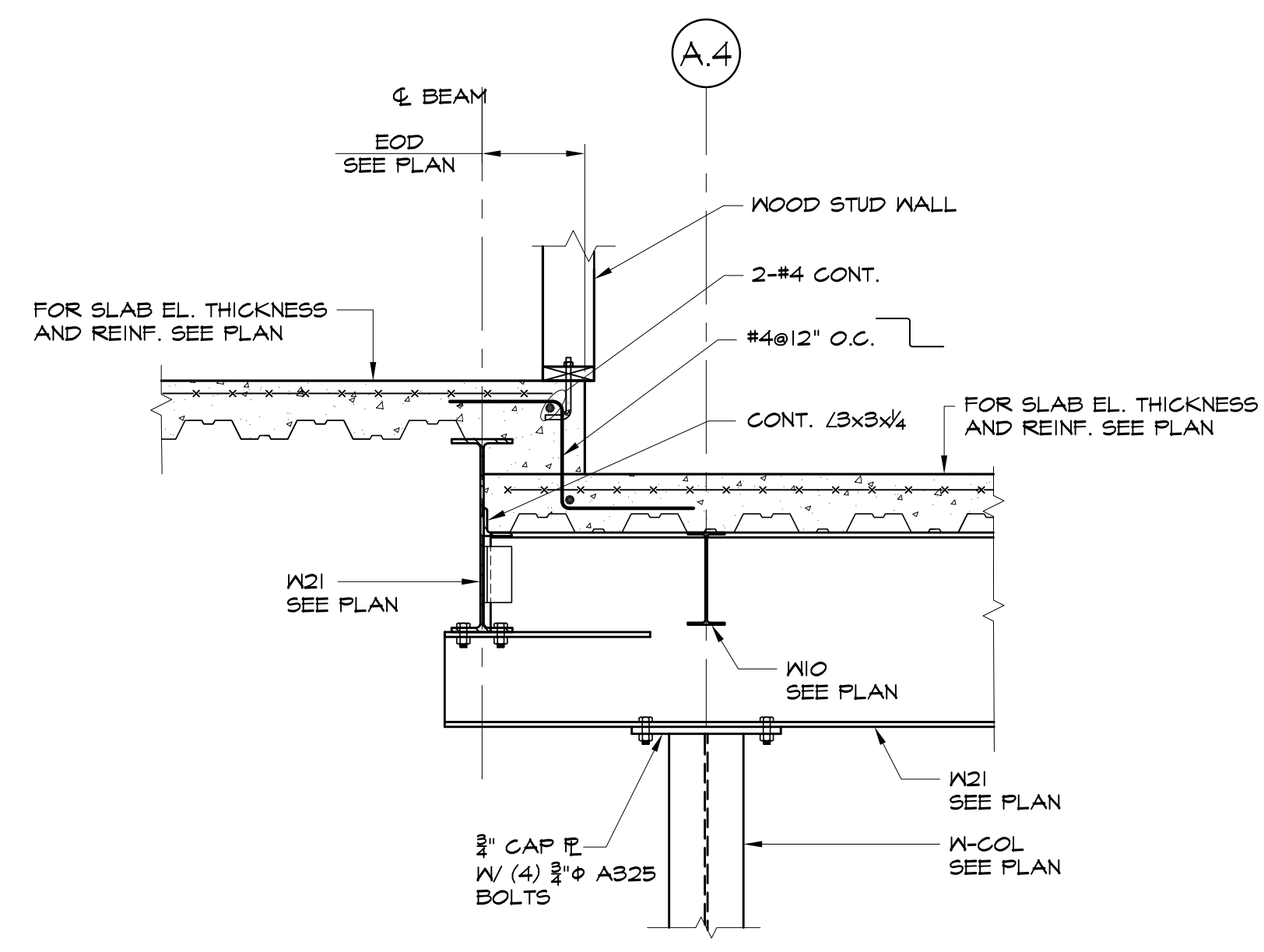


SECTION 7
3/4" = 1'-0" S6.0

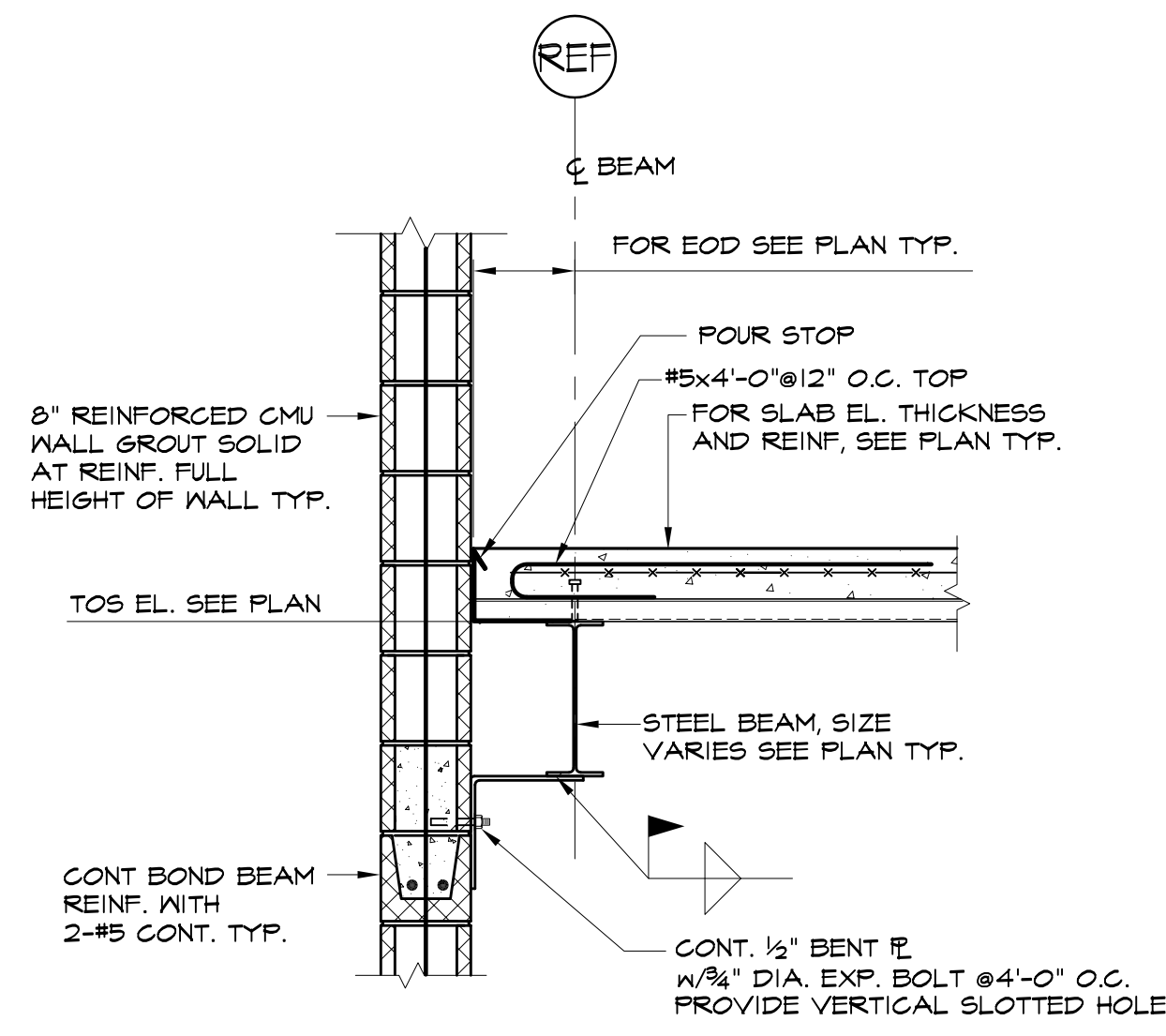


SECTION 8
3/4" = 1'-0" S6.0

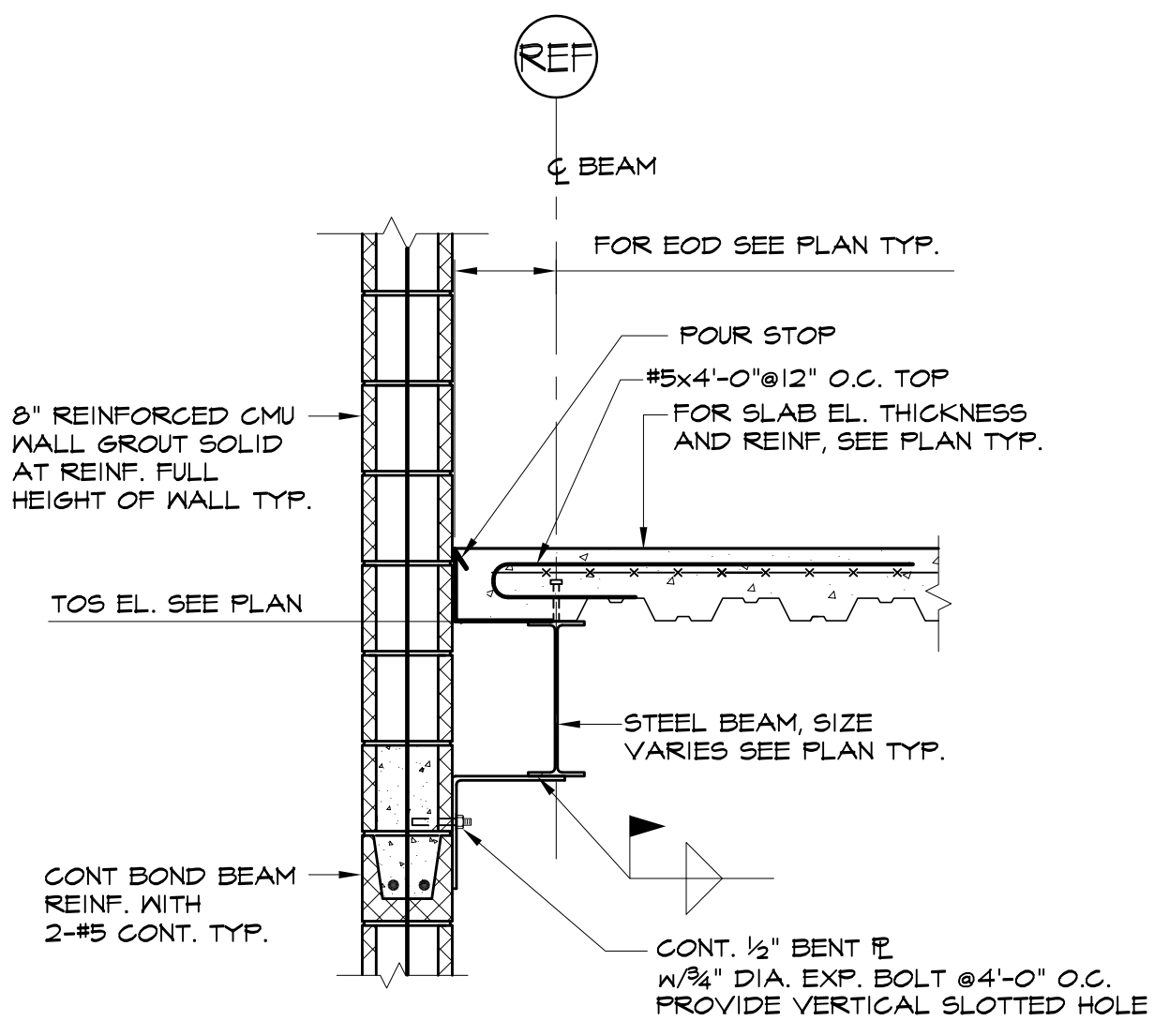
NOTE:
1. BENT REIN. REQUIRED FOR EDGE DIMENSIONS GREATER THAN 12"



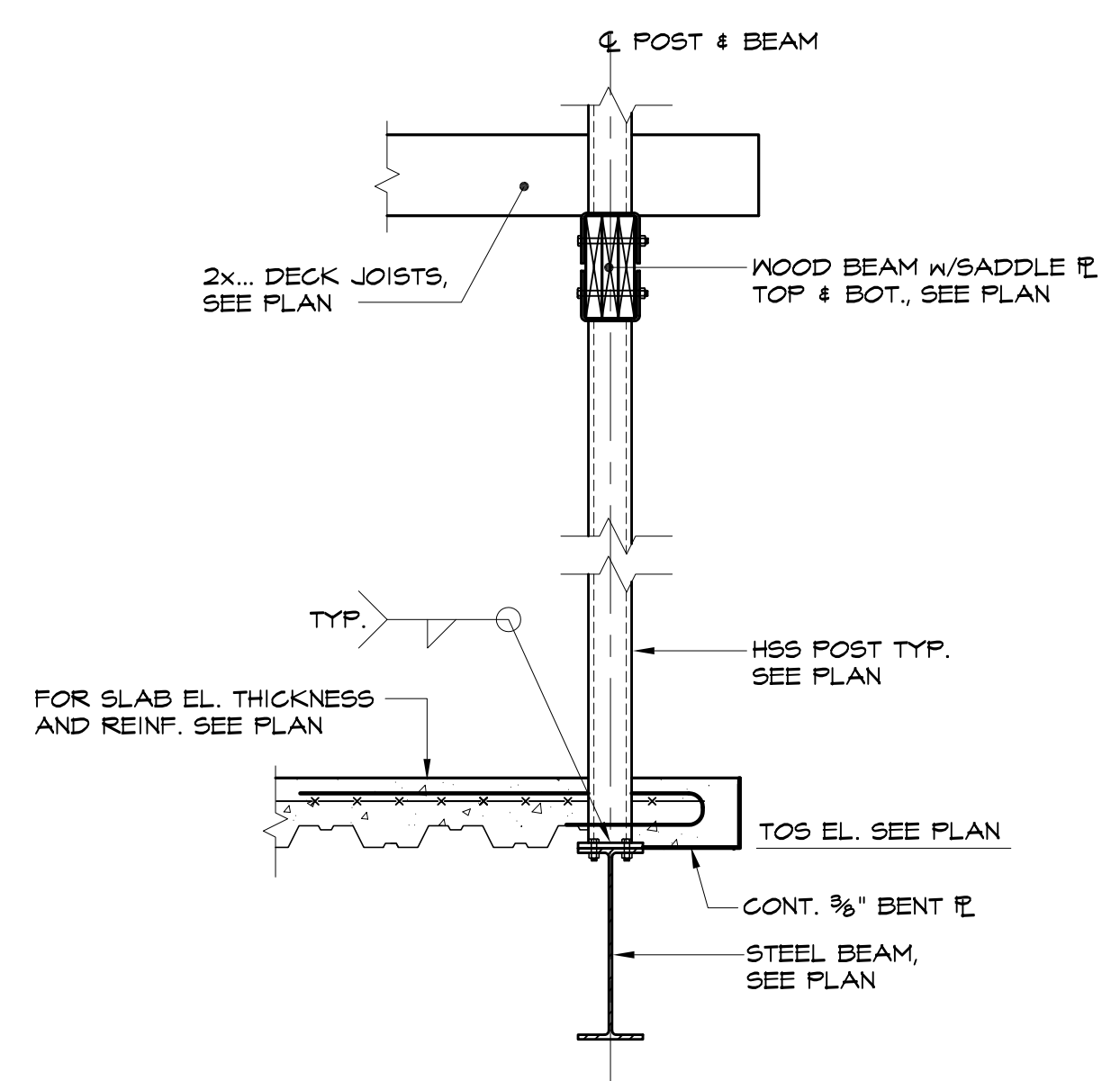
SECTION 9
3/4" = 1'-0" S6.0



SECTION 10
3/4" = 1'-0" S6.0



SECTION 11
3/4" = 1'-0" S6.0



SECTION 12
3/4" = 1'-0" S6.0

STATE OF MAINE
MANTAS VEITAS
PROFESSIONAL ENGINEER

Prepared For:
118 on Munjoy Hill, LLC
118 CONGRESS STREET
PORTLAND, ME 04101

Consultant:
VEITAS VEITAS
engineers
680 Granite Street, Suite 10184
Portland, ME 04103
TEL: 734-2583 FAX: 734-2583-2000

Architect:
ARCHETYPE architects
48 Union Wharf Portland, Maine 04101
(207) 772-6022 Fax (207) 772-4056

Project:
118 ON MUNJOY HILL
118 CONGRESS STREET
PORTLAND, MAINE

Revisions:
100% CONSTRUCTION DOCUMENTS

Scale: As indicated

Date: 5 MAR 2014

Sections & Details

S6.01