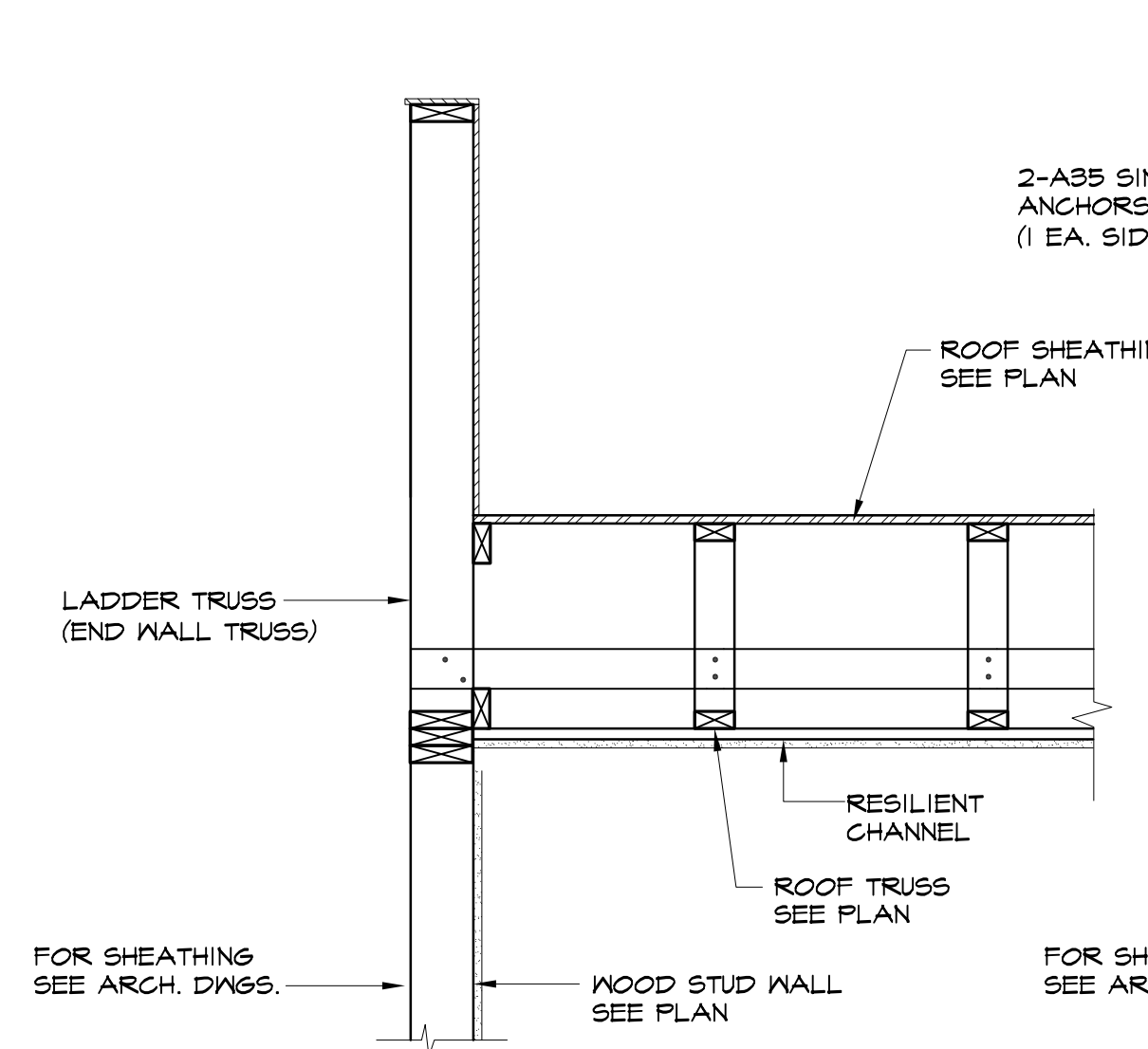
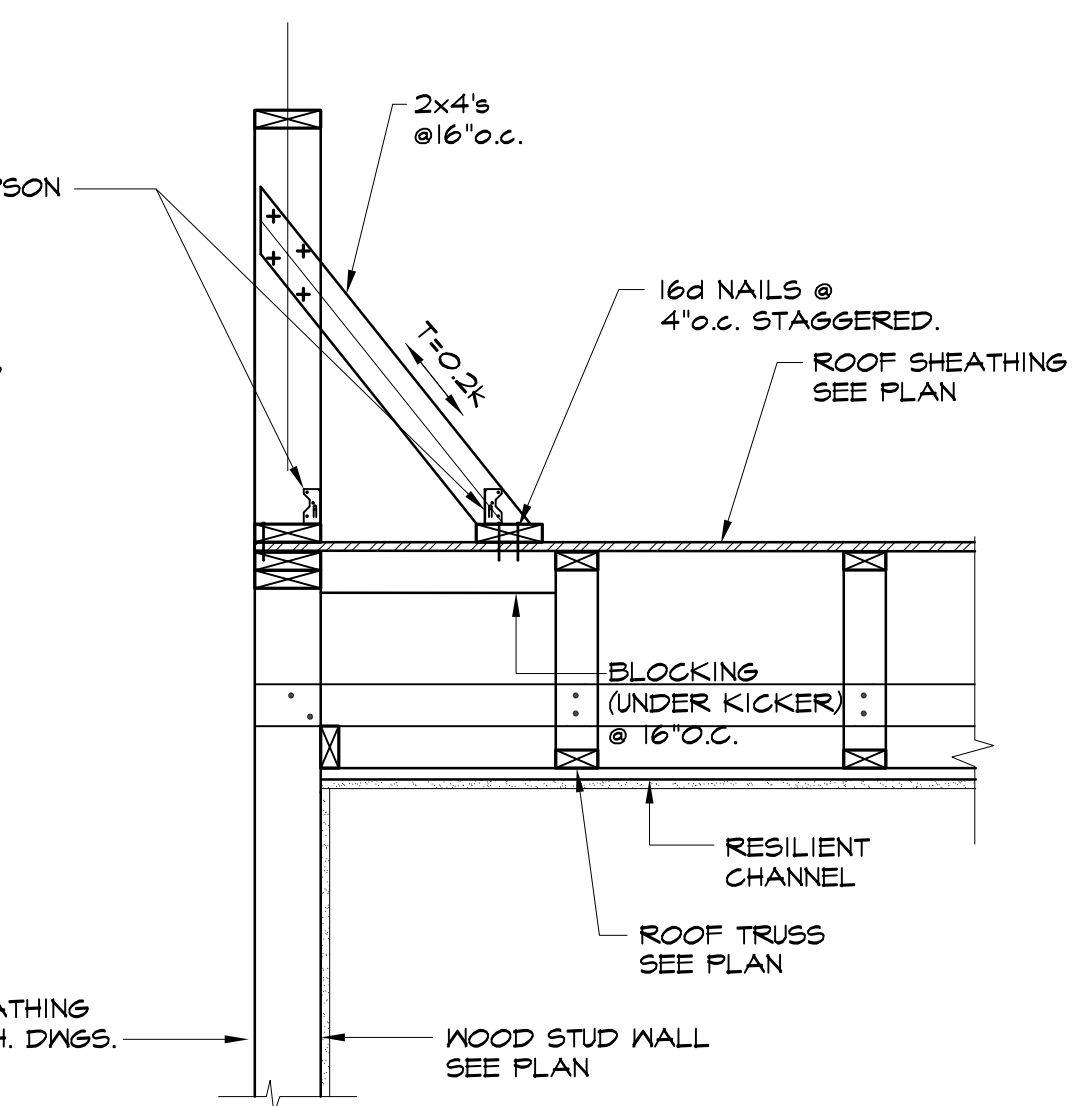


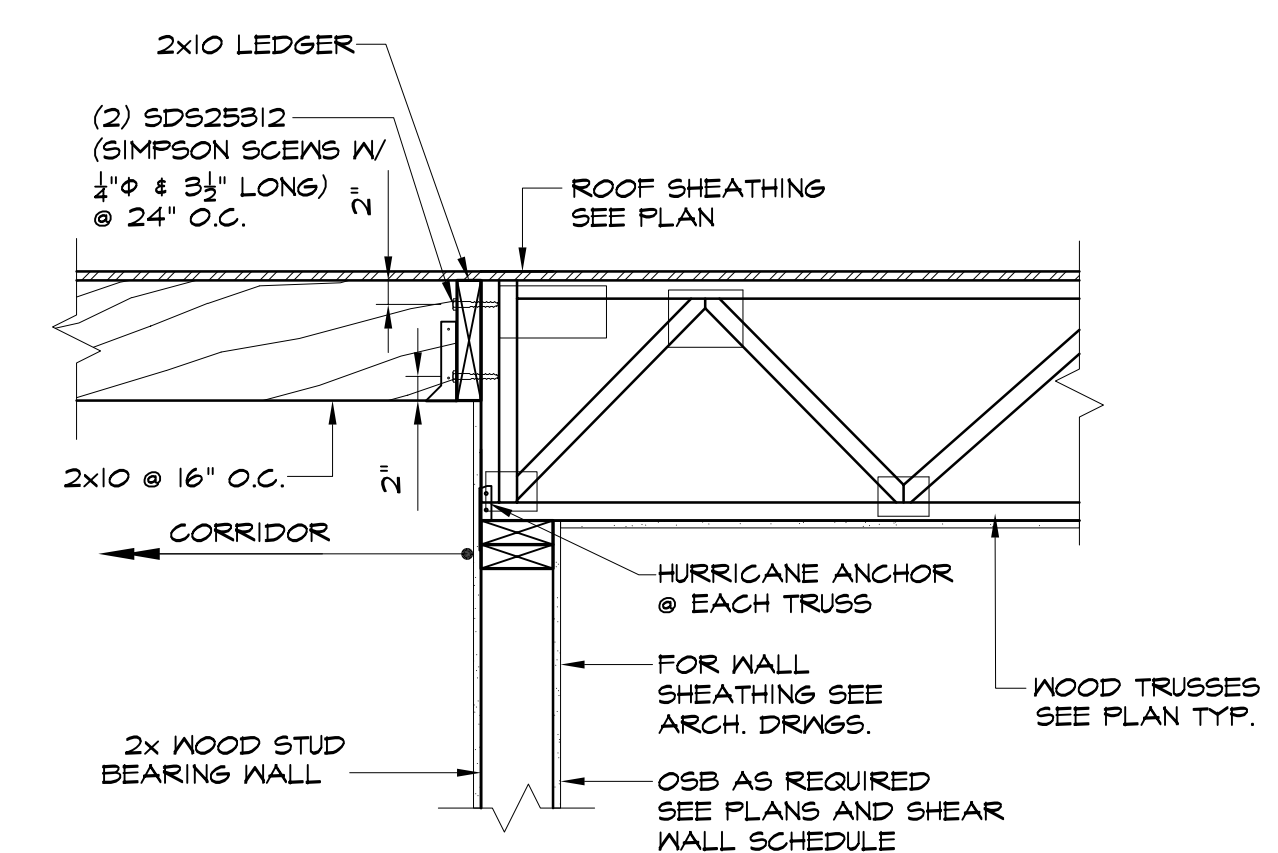
SECTION 1
3/4" = 1'-0"
S5.03



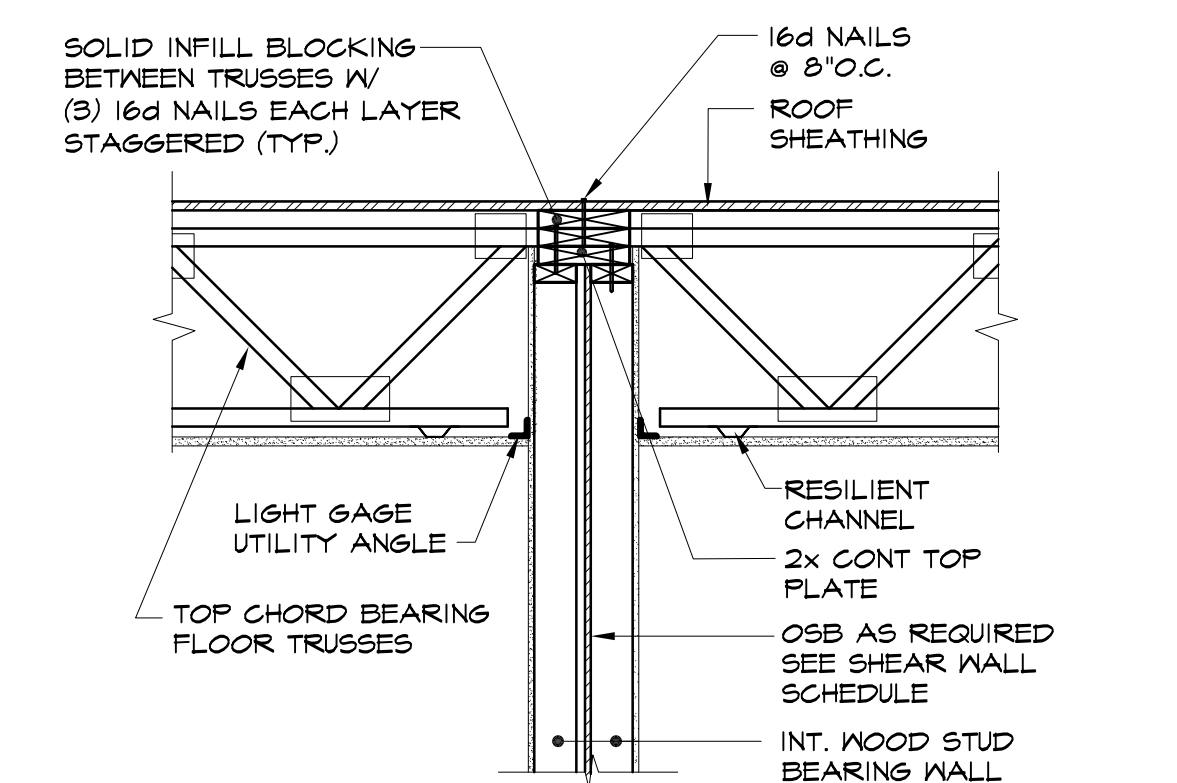
SECTION 2
3/4" = 1'-0"
S5.03



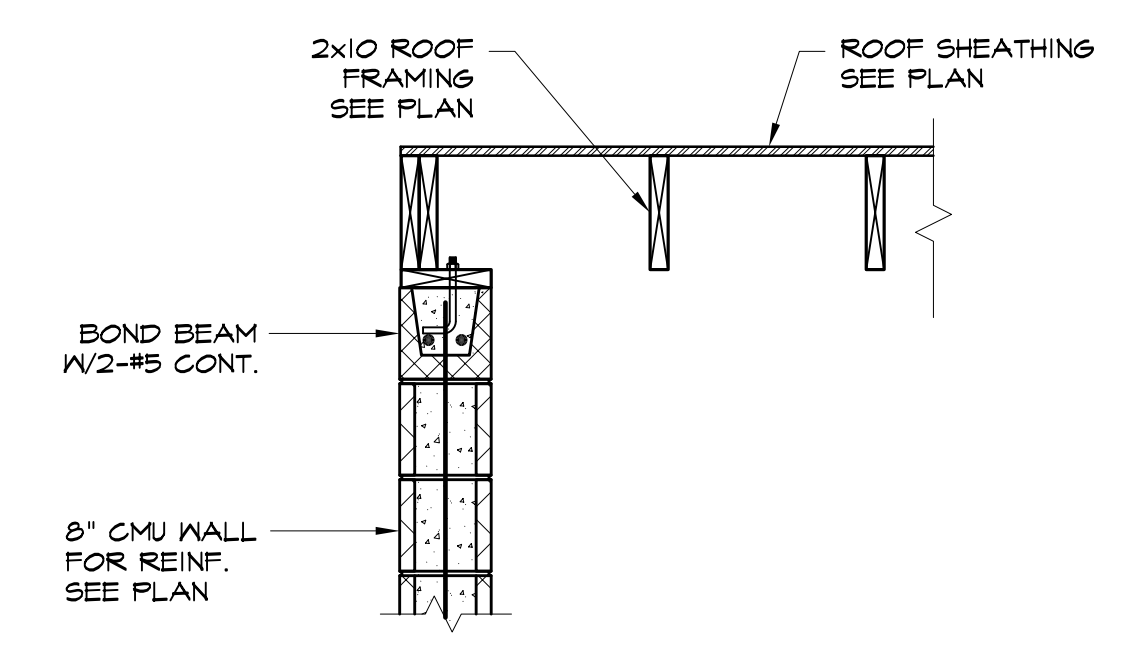
ALTERNATE SECTION 2A
3/4" = 1'-0"
S5.03



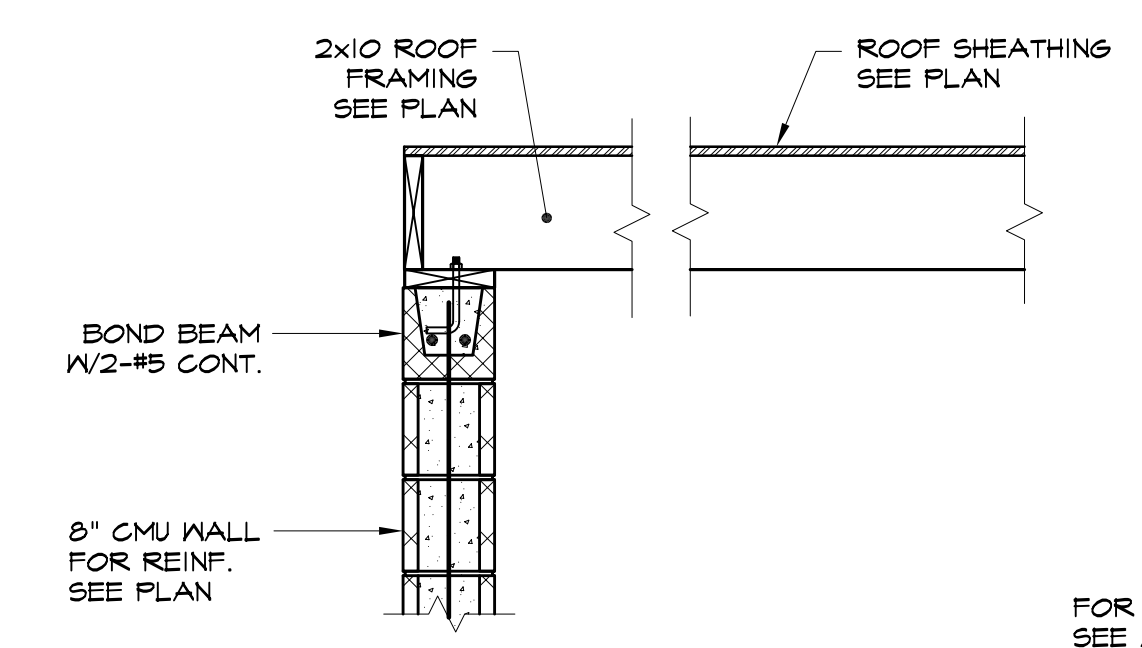
SECTION 3
3/4" = 1'-0"
S5.03



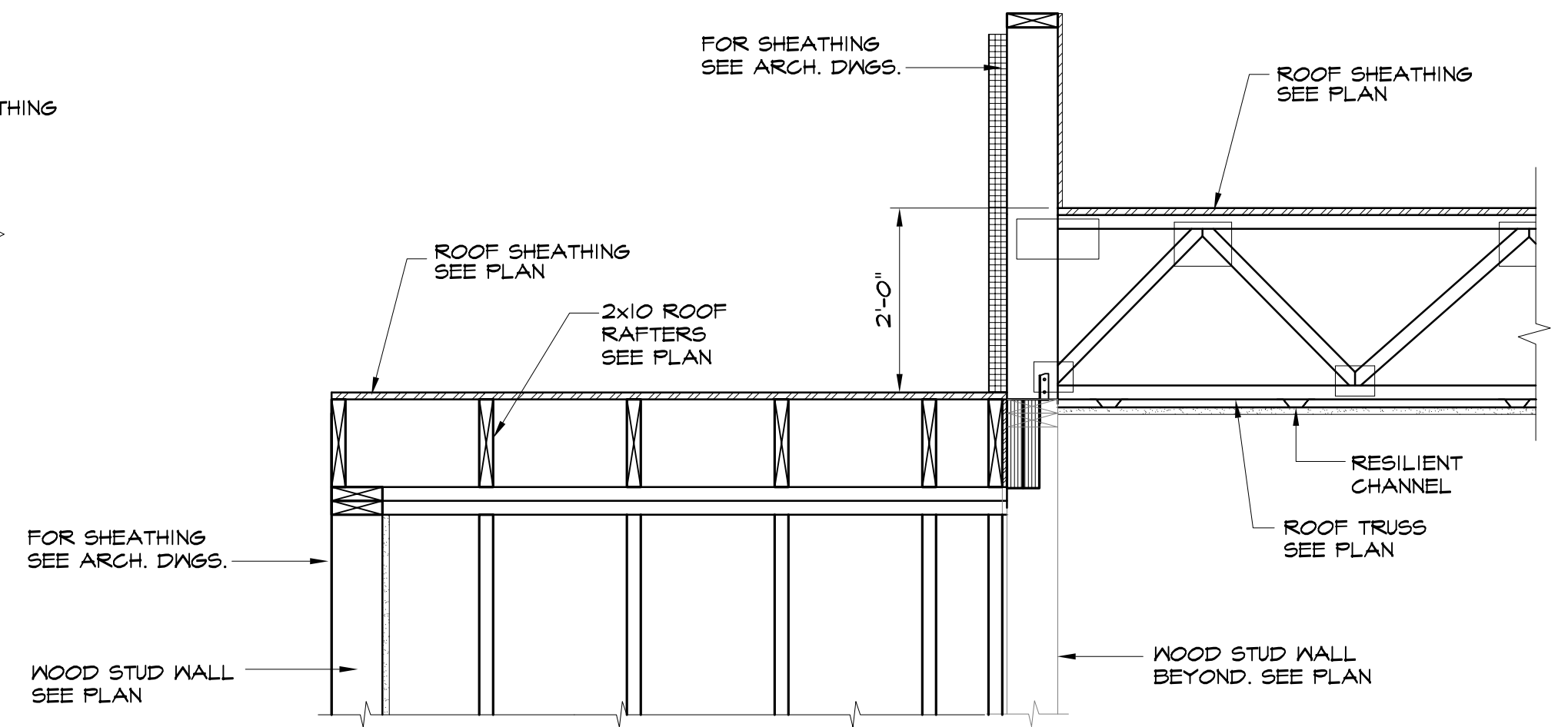
SECTION 4
3/4" = 1'-0"
S5.03



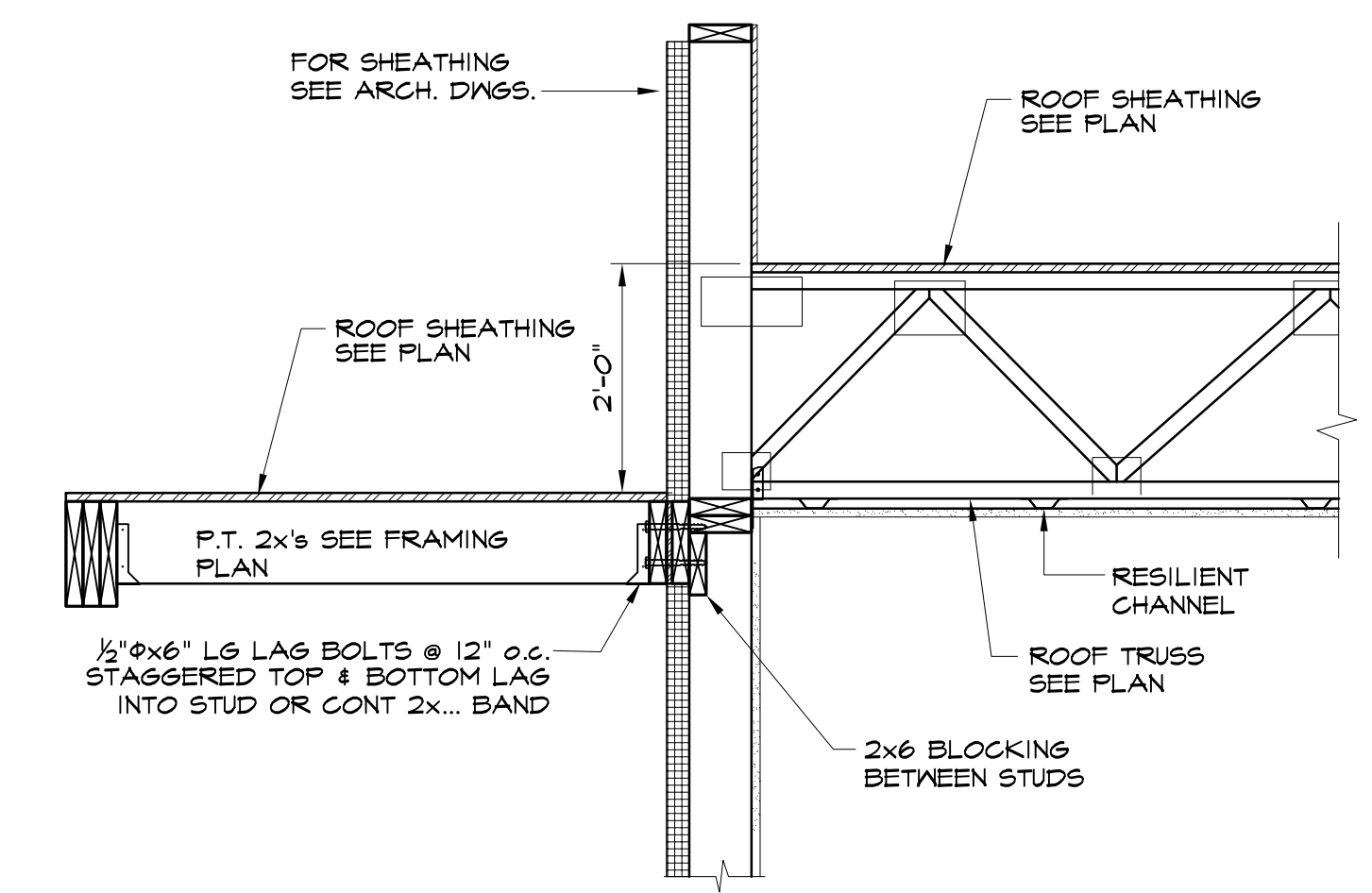
SECTION 5
3/4" = 1'-0"
S5.03



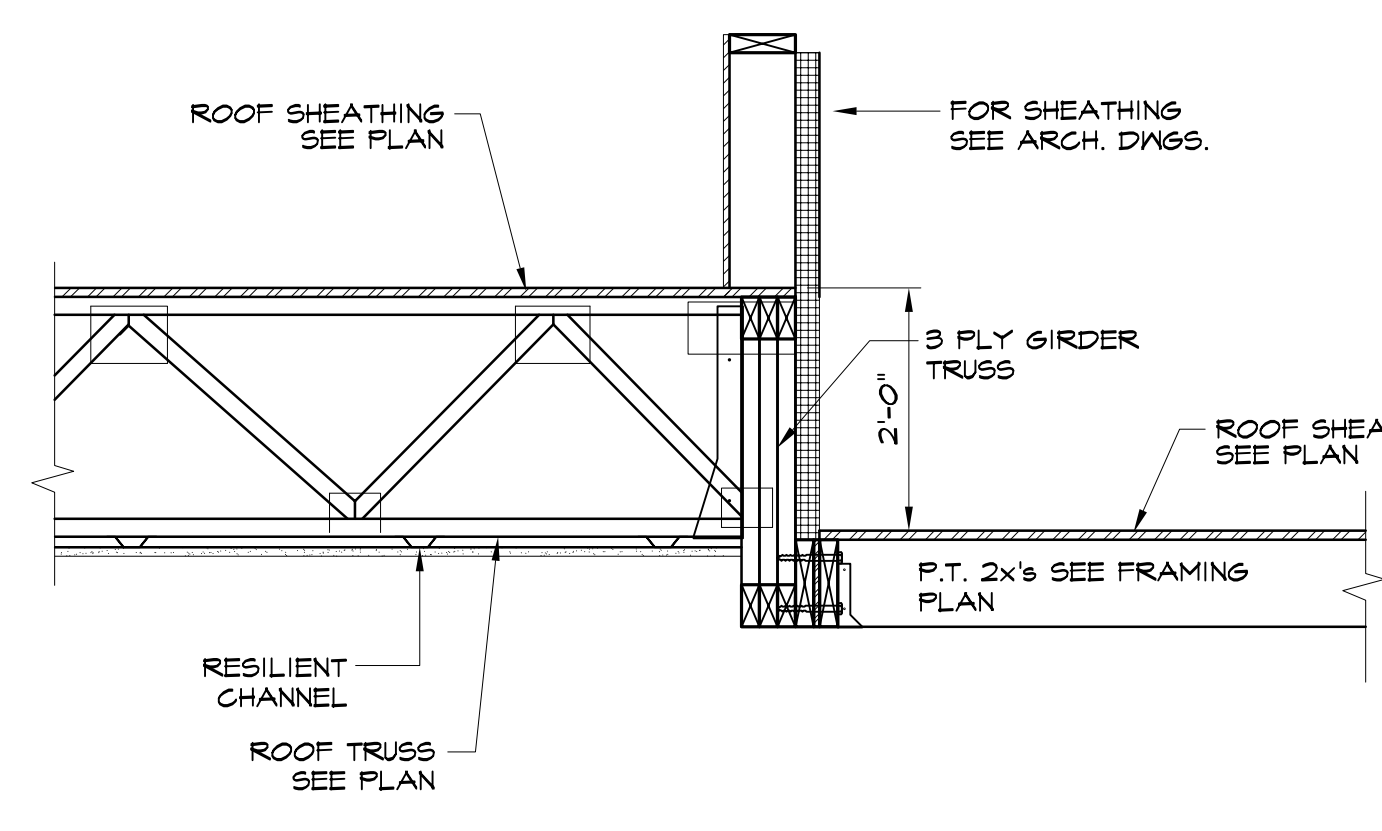
SECTION 6
3/4" = 1'-0"
S5.03



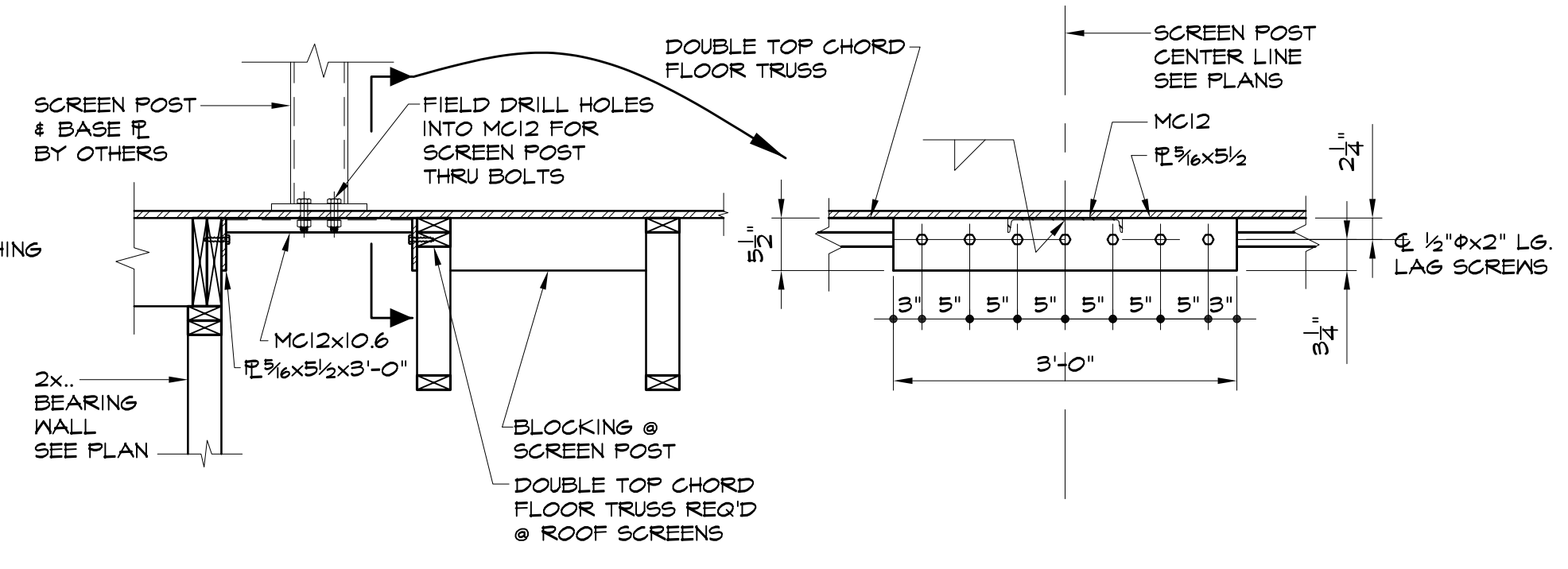
SECTION 7
3/4" = 1'-0"
S5.03



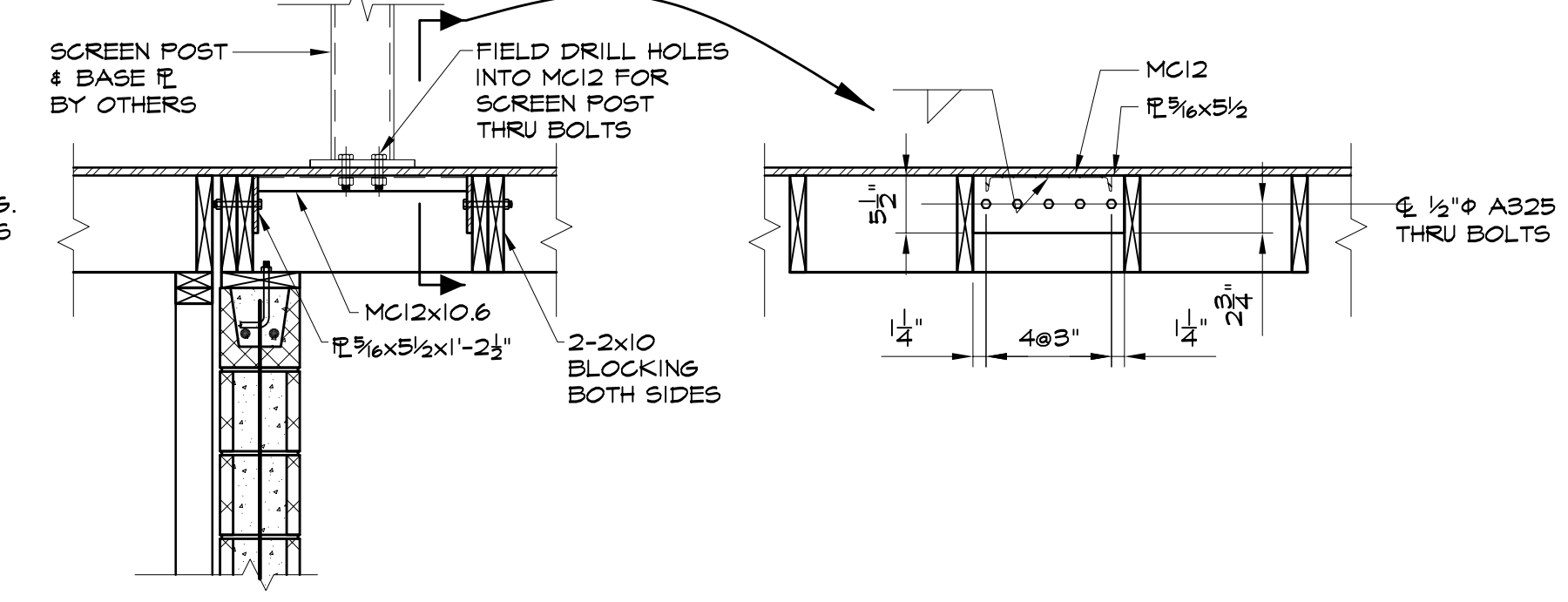
SECTION 8
3/4" = 1'-0"
S5.03



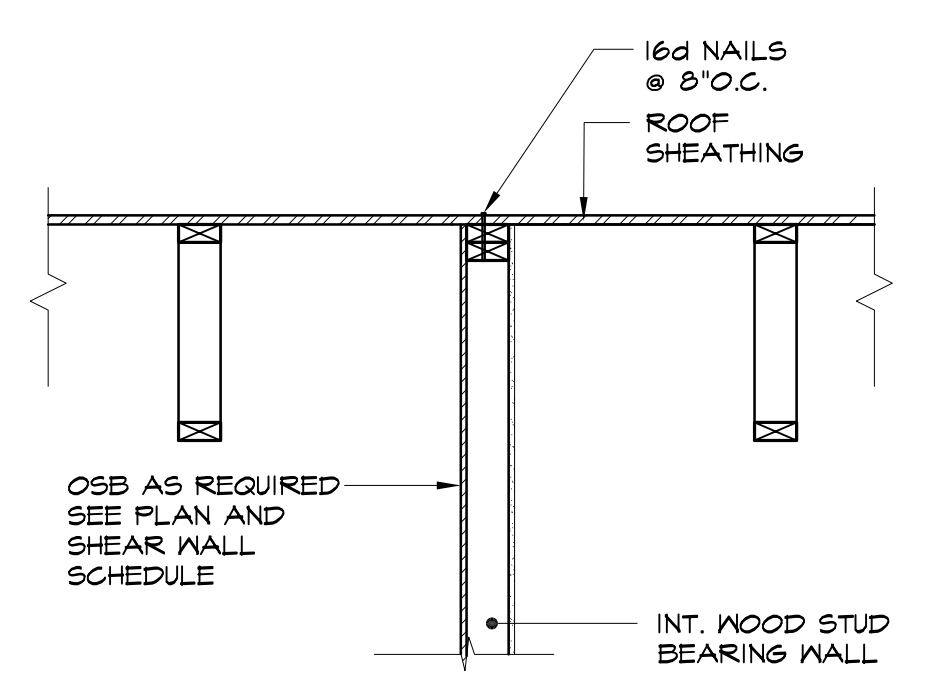
SECTION 9
3/4" = 1'-0"
S5.03



SECTION 10
3/4" = 1'-0"
S5.03



SECTION 11
3/4" = 1'-0"
S5.03



SECTION 12
3/4" = 1'-0"
S5.03

STATE OF MAINE
MANTAS VEITAS
PROFESSIONAL ENGINEER

Prepared For:
118 on Munjoy Hill, LLC
118 CONGRESS STREET
PORTLAND, ME 04101

Consultant:
VEITAS VEITAS engineers
68 Granite Street, Suite 10184
TEL: 754-2583 FAX: 754-2583-5005

Architect:
ARCHETYPE architects
48 Union Wharf Portland, Maine 04101
(207) 772-6022 Fax (207) 772-4056

Project:
118 ON MUNJOY HILL
118 CONGRESS STREET
PORTLAND, MAINE

Revisions:
100% CONSTRUCTION DOCUMENTS

Date: 5 MAR 2014
Scale: As indicated

Sections & Details

S5.03