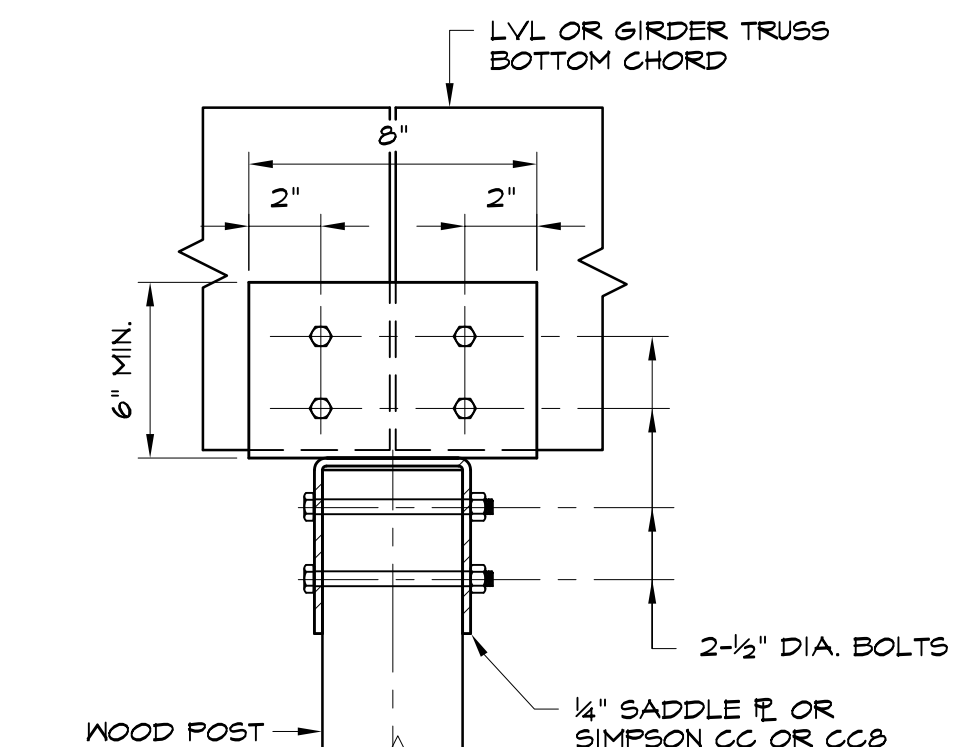
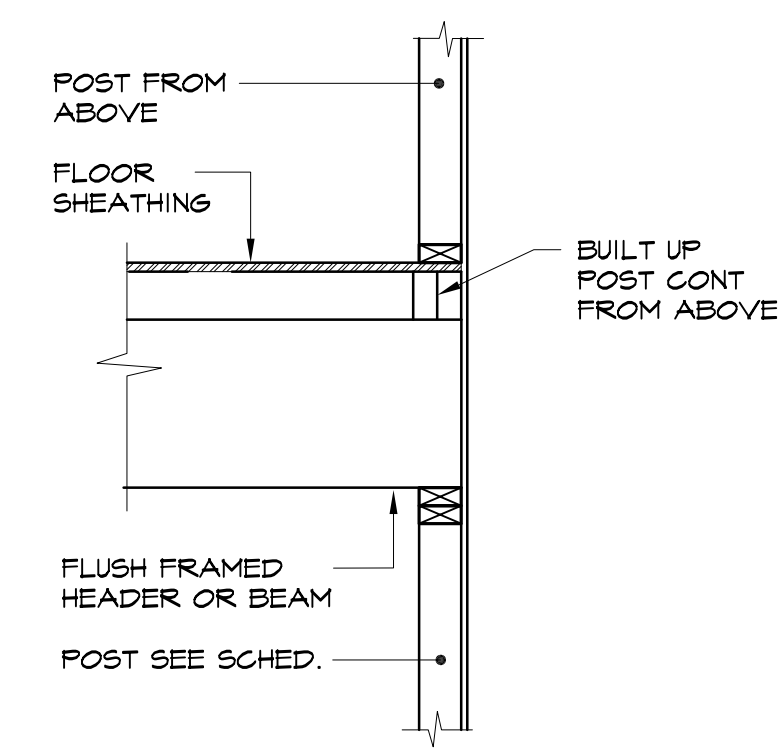


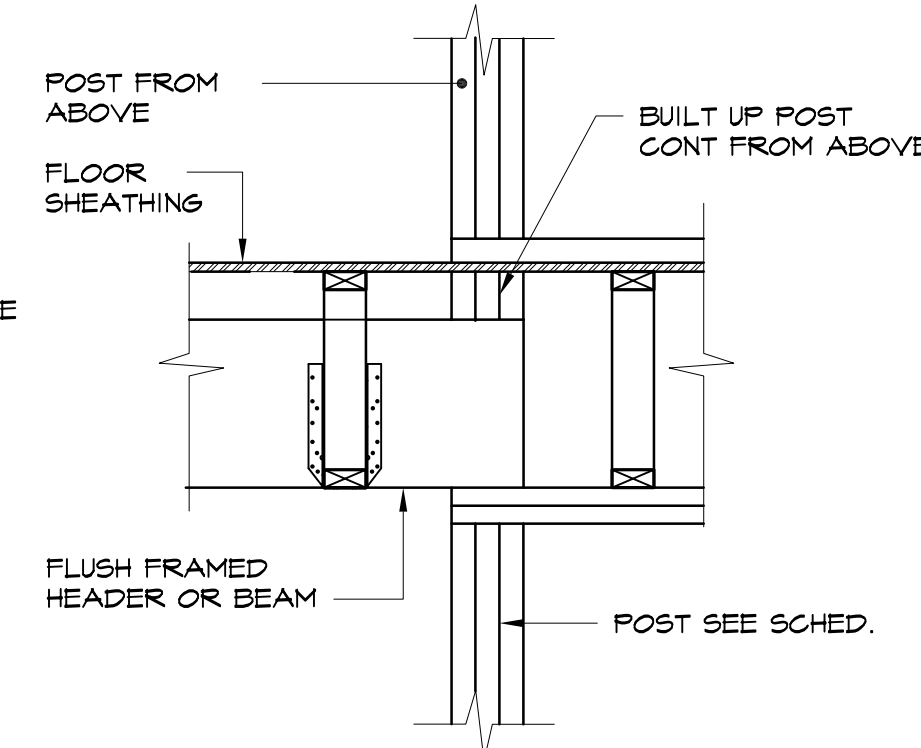
TYPICAL MULTIPLE PLY LVL BEAM DETAIL



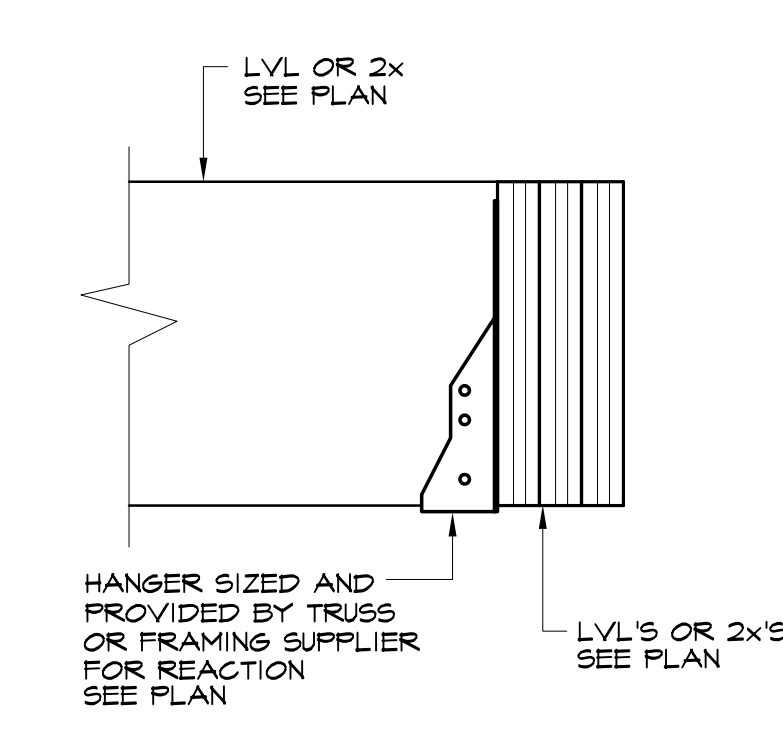
TYPICAL WOOD POST TO
LVL/GIRDER TRUSS DETAIL



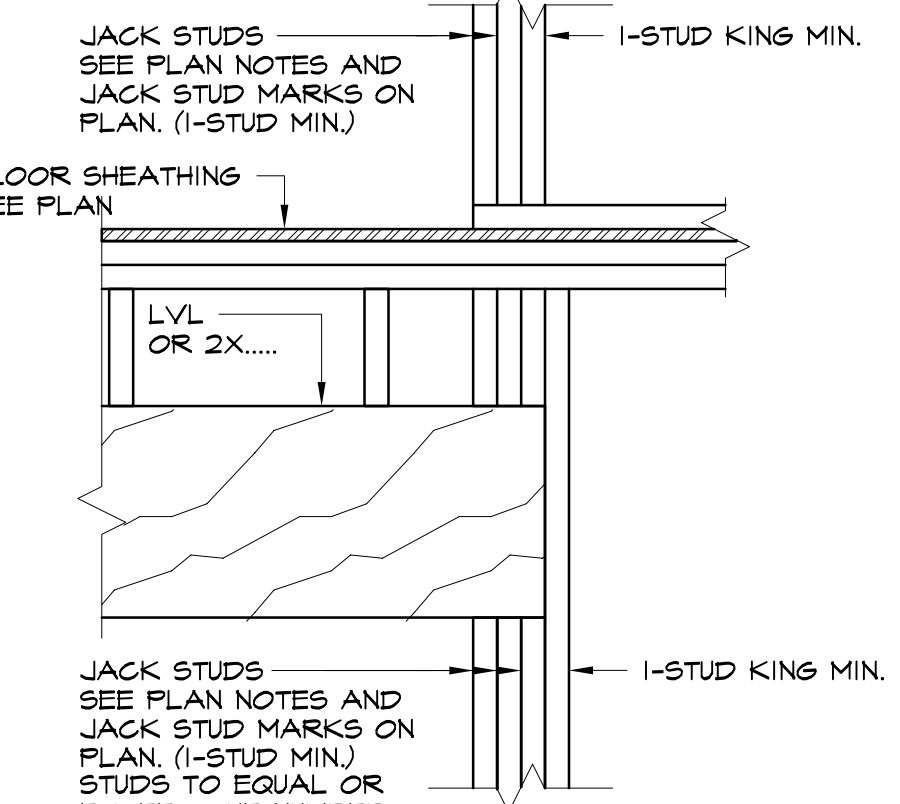
POST IN WALL



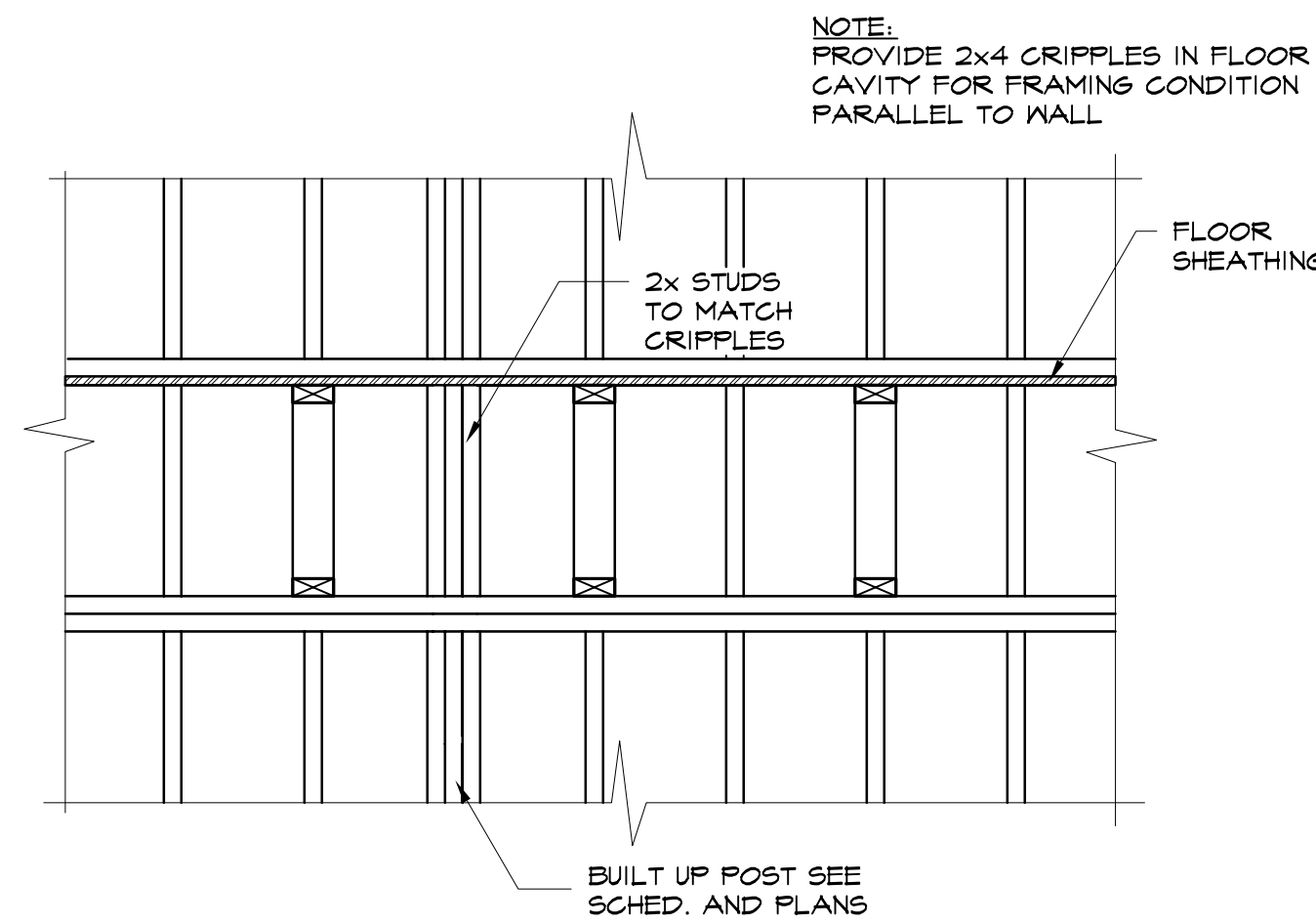
POST AT END OF WALL



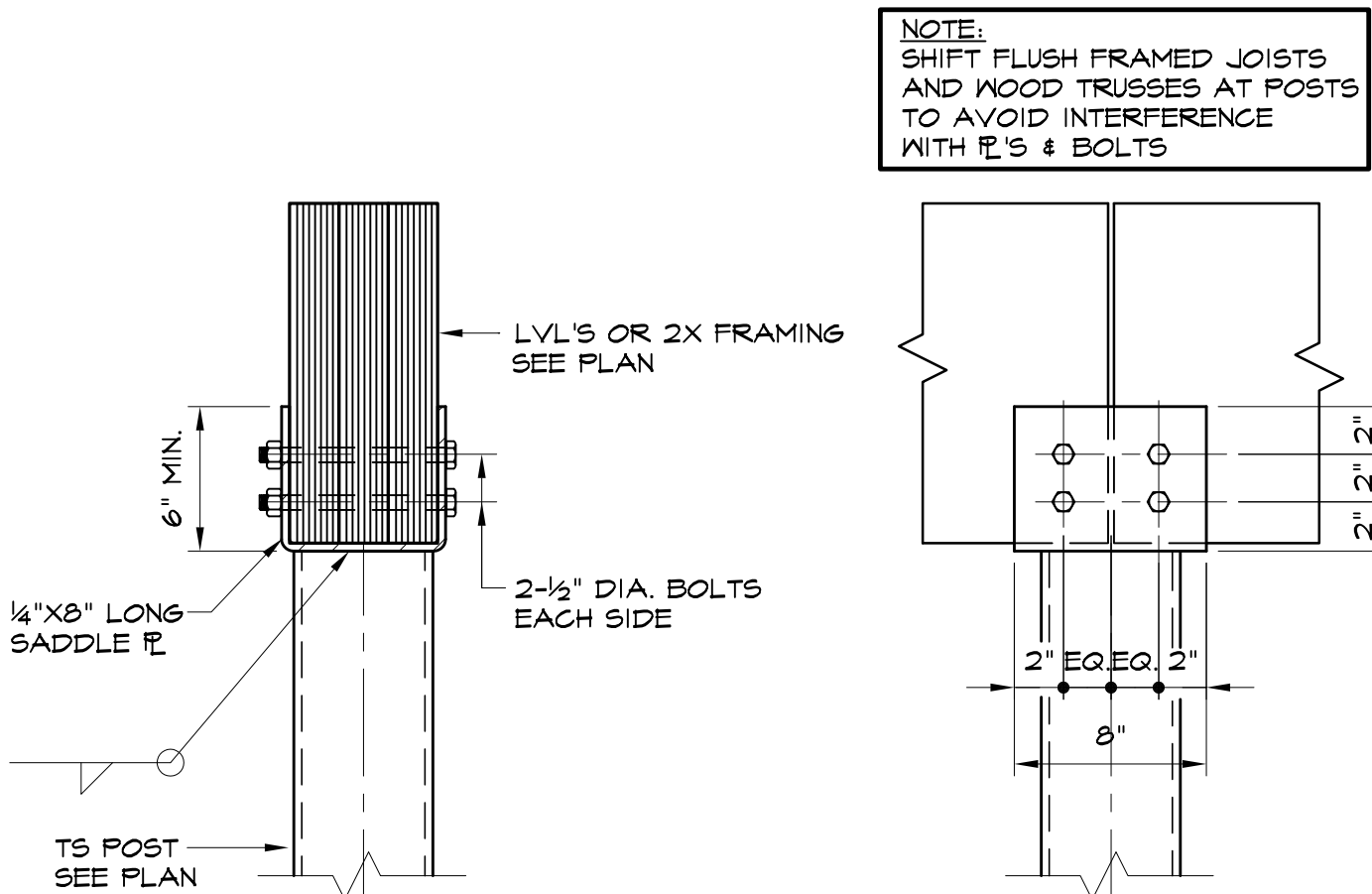
LVL OR 2x HANGER DETAIL



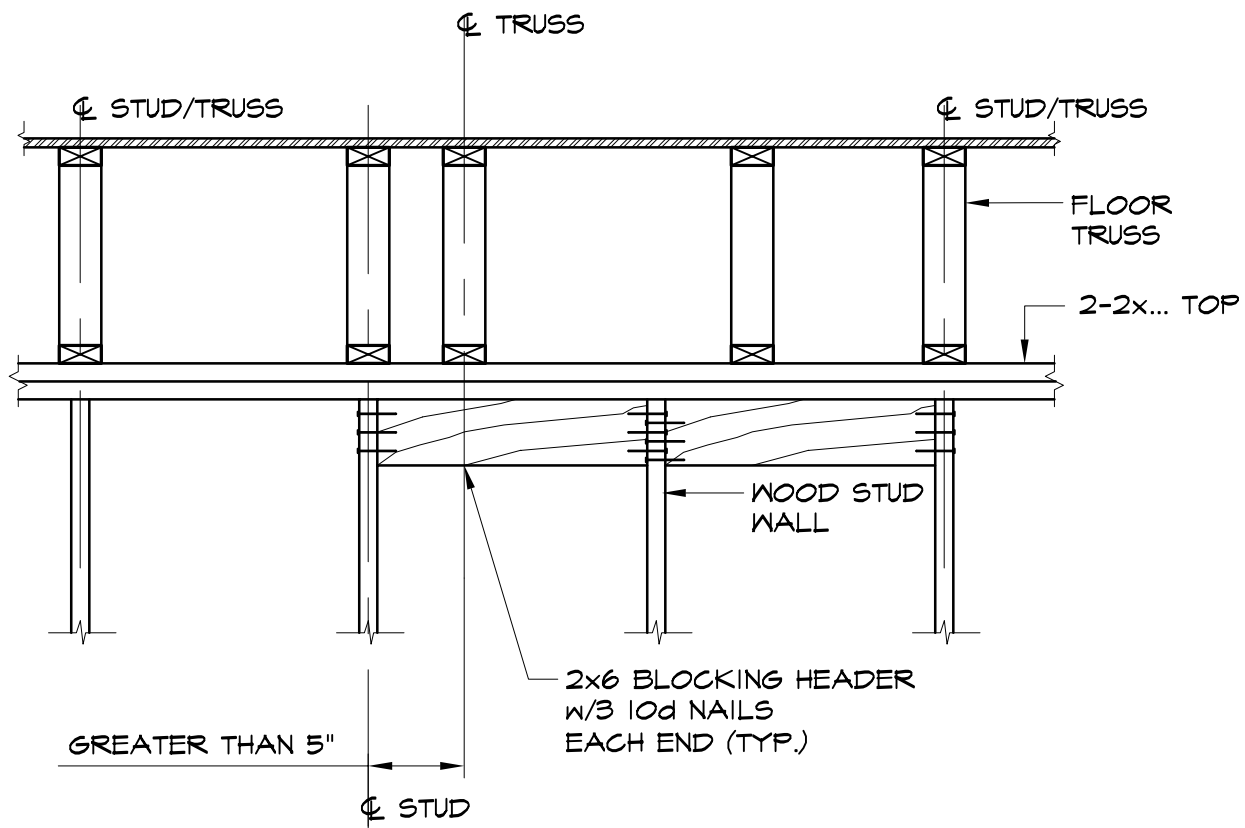
TYPICAL JACK STUD DETAIL



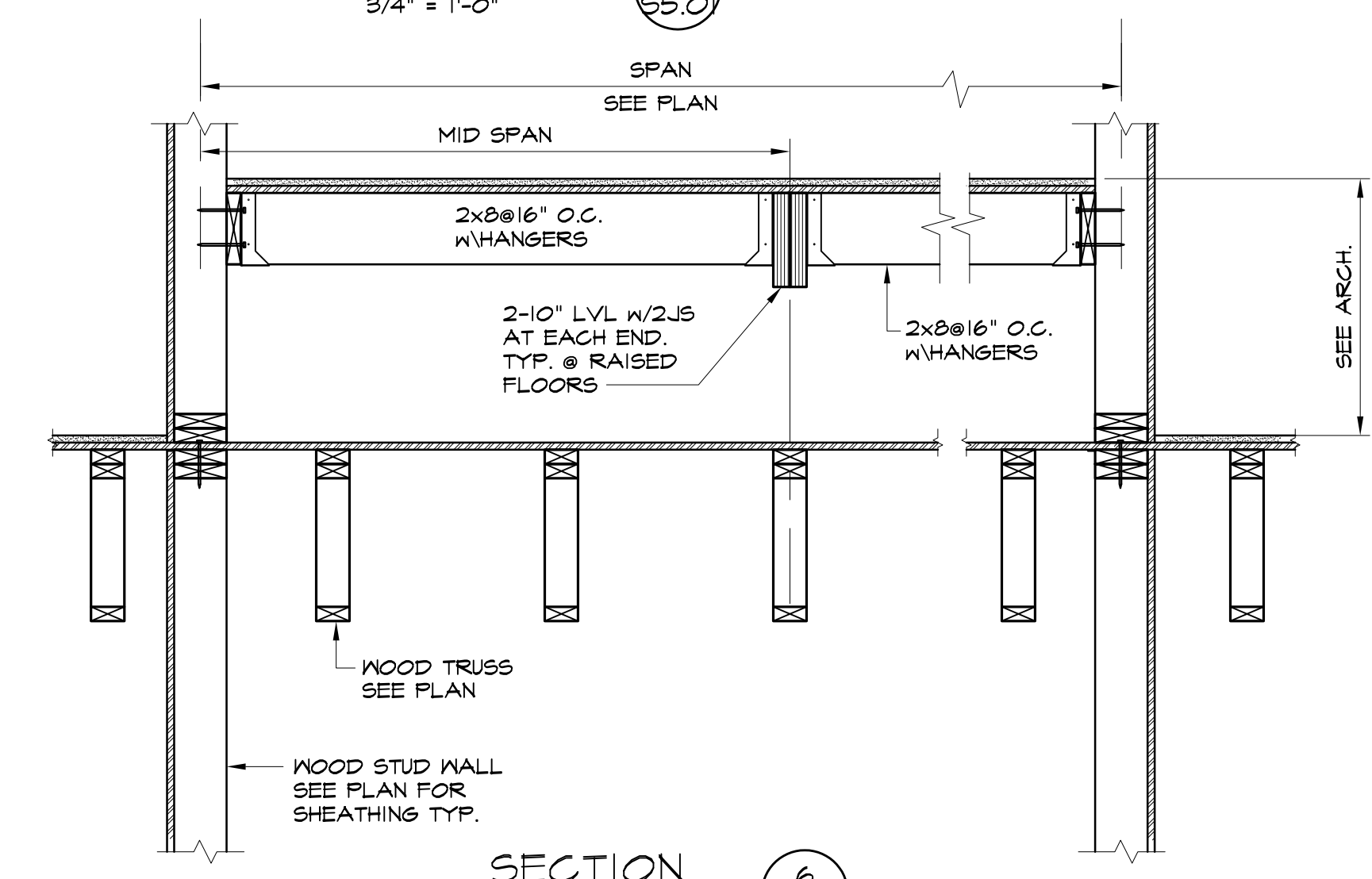
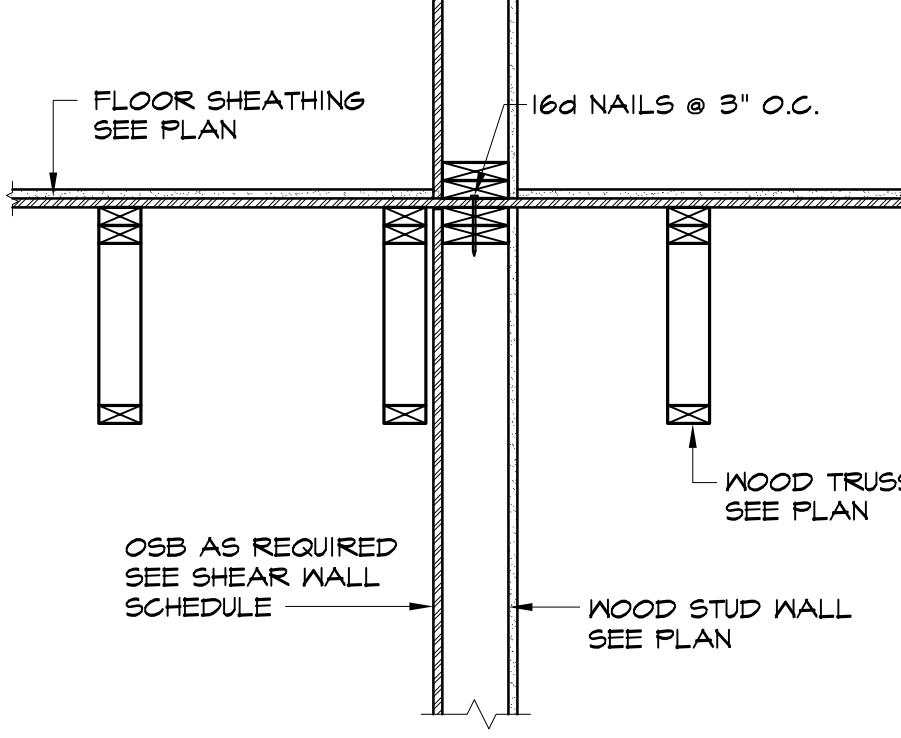
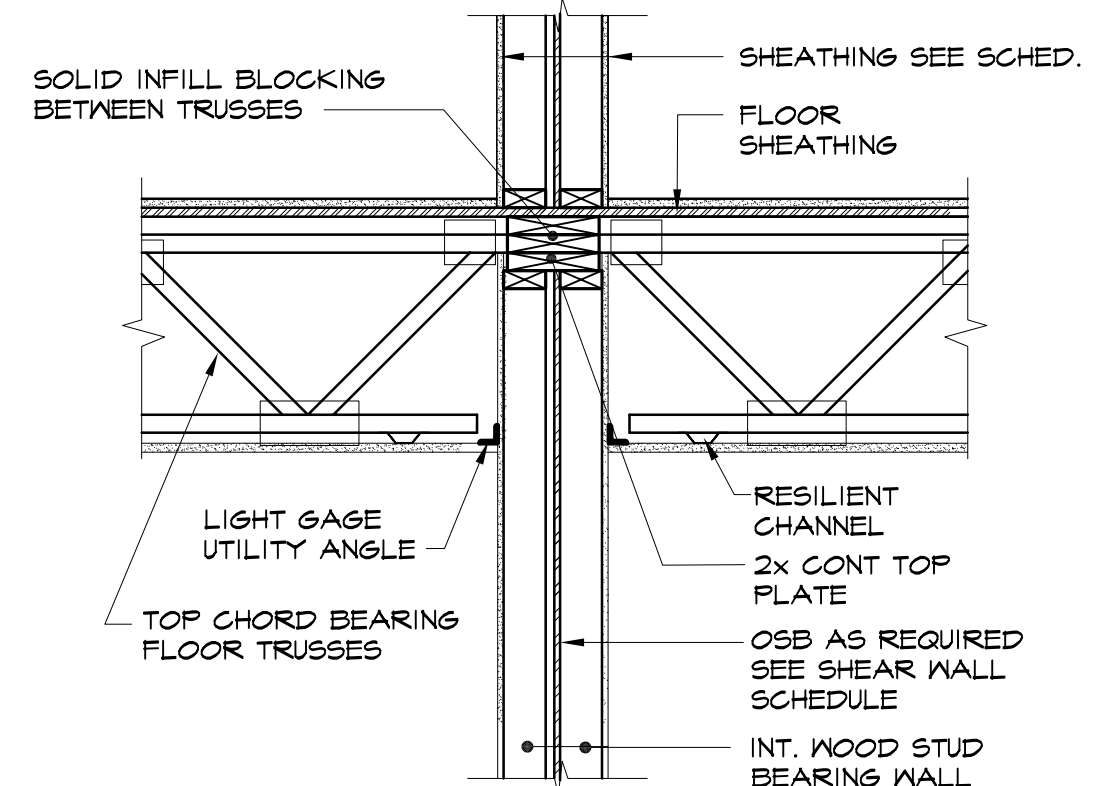
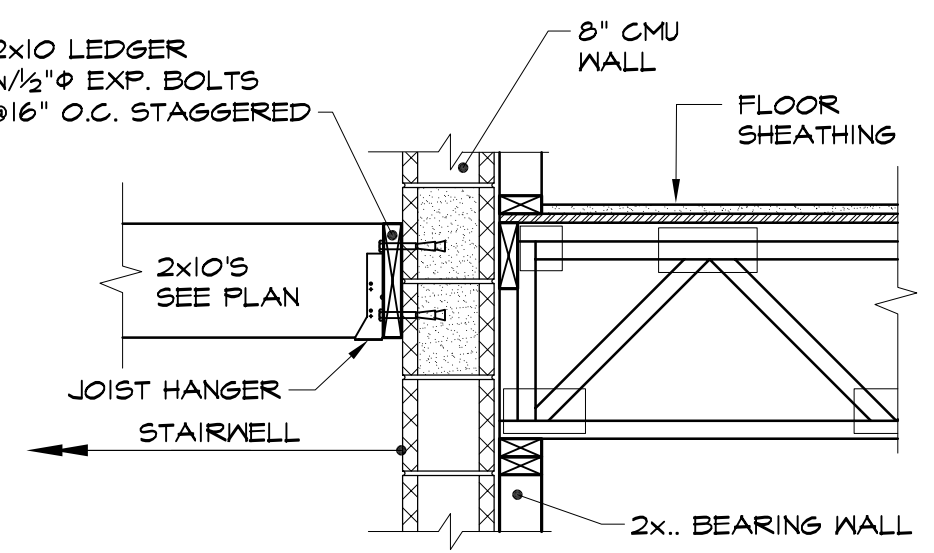
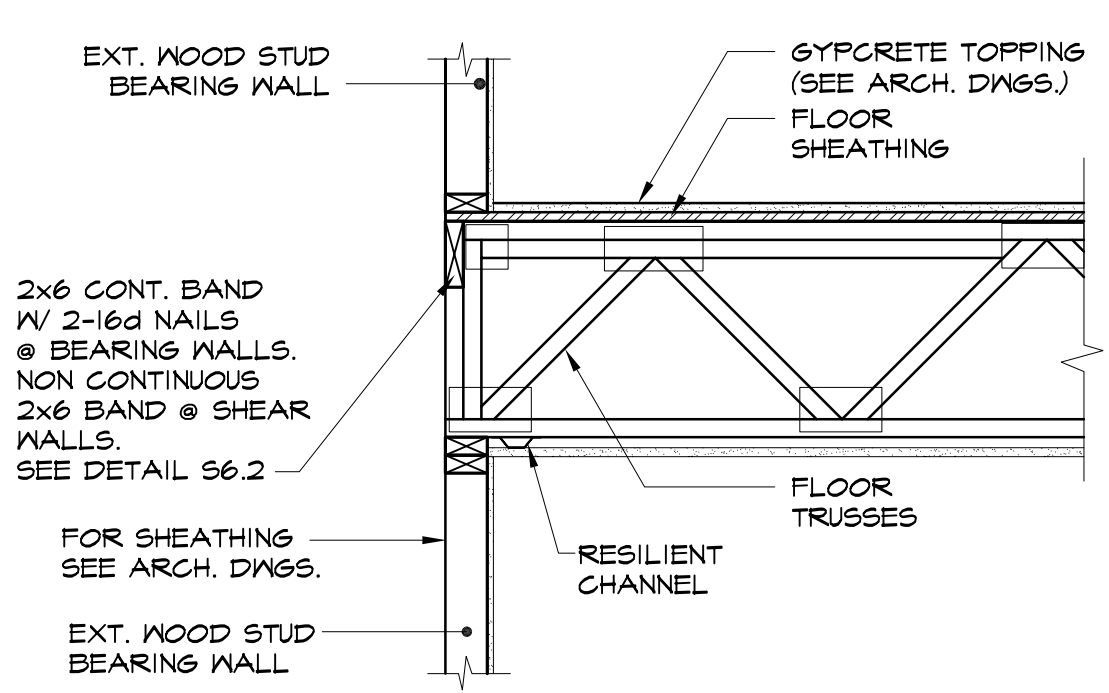
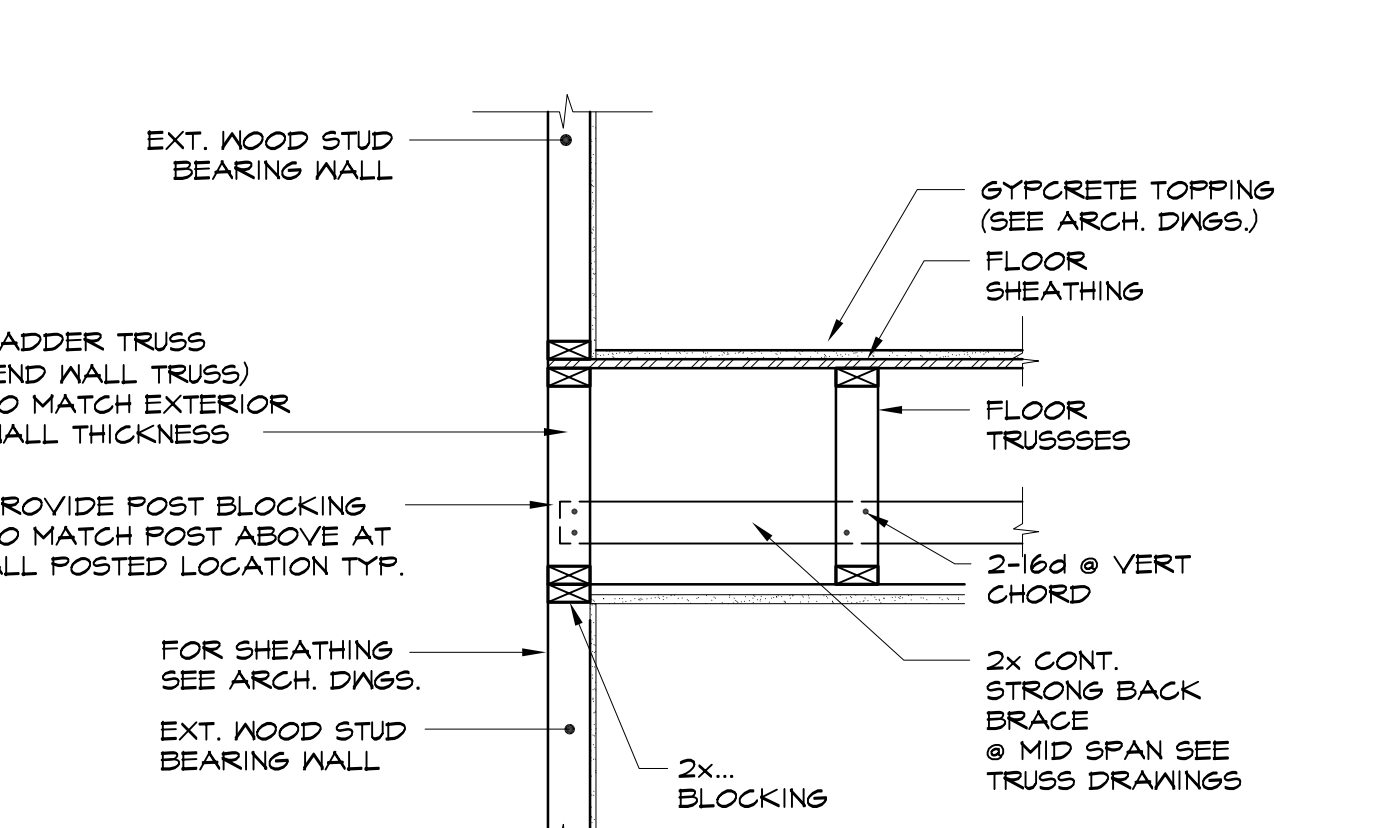
TYPICAL WOOD POST THROUGH
FLOOR TRUSSES AT BEARING WALLS



TYPICAL STEEL POST
TO LVL DETAIL



TYPICAL BLOCKING DETAIL
AT MISALIGNED FLOOR TRUSS
OVER 2x4 @ 24" O.C. STUD BEARING WALL



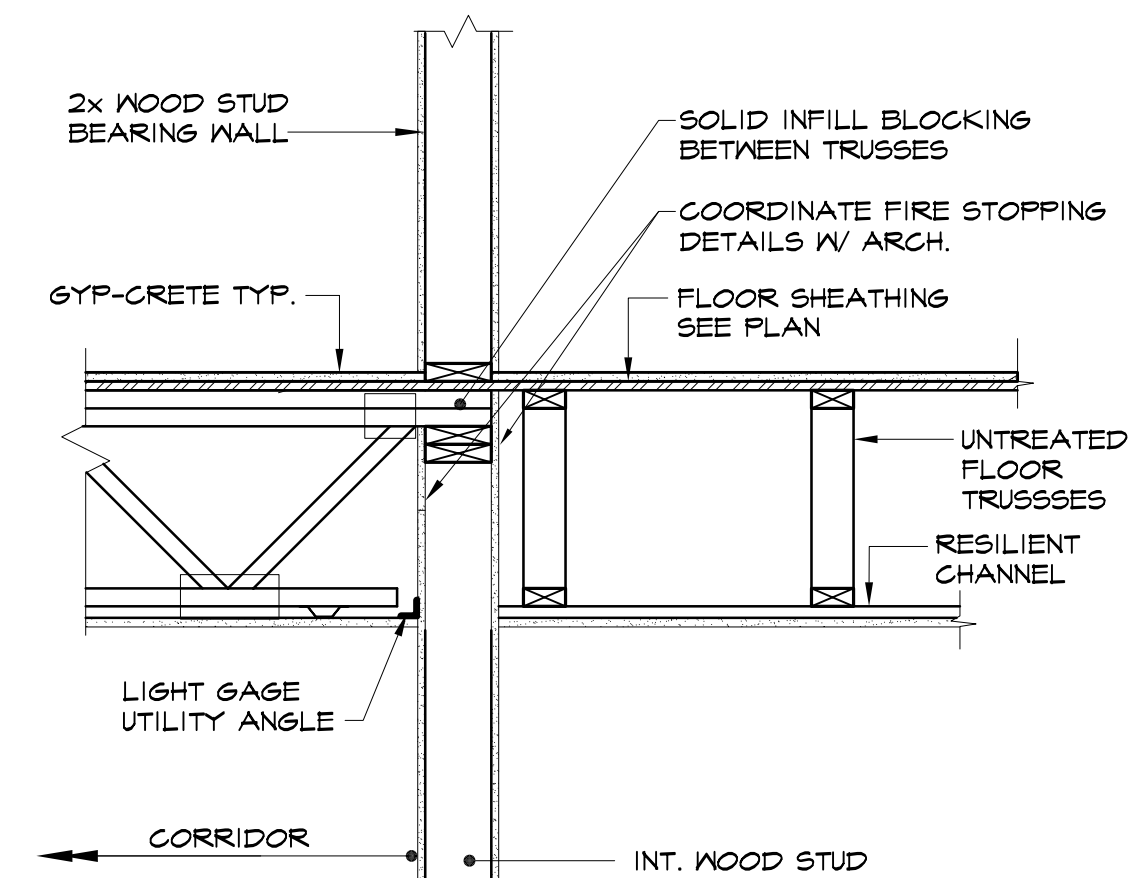
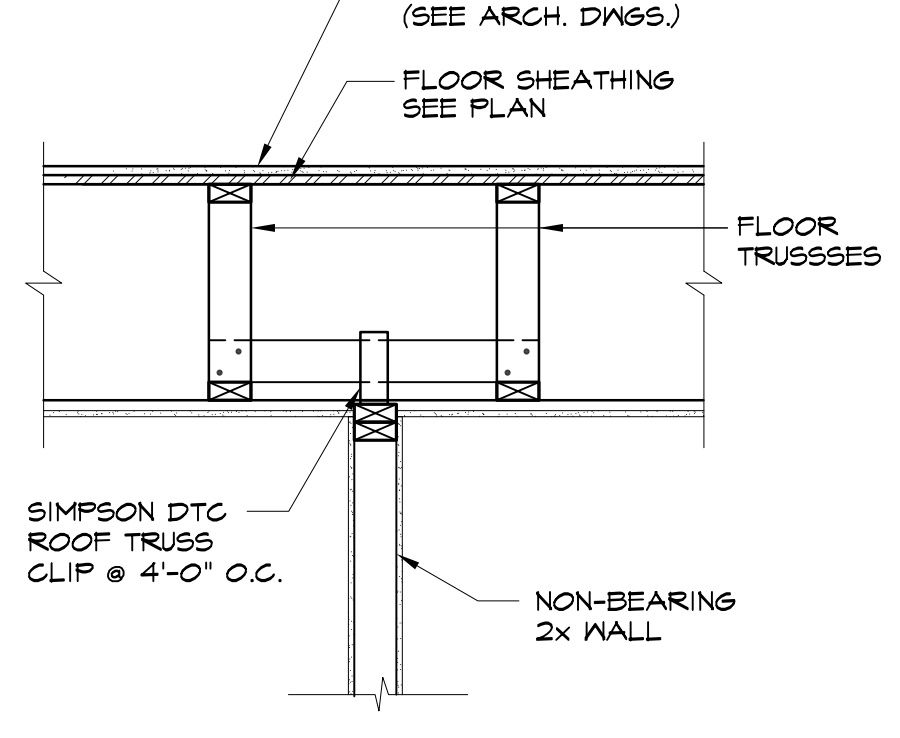
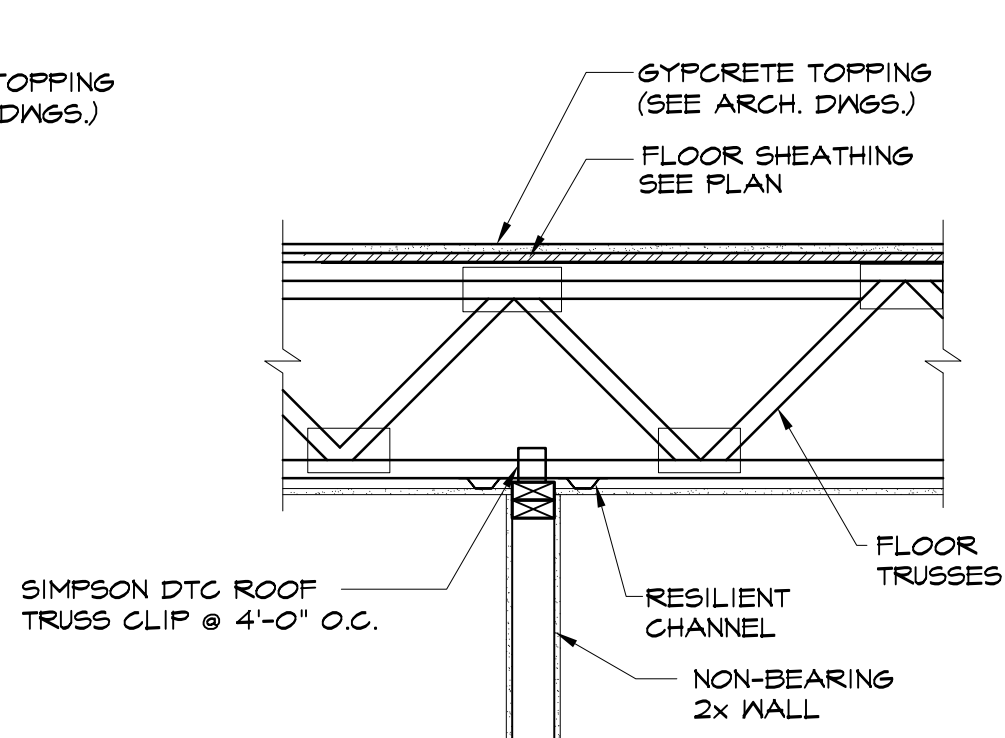
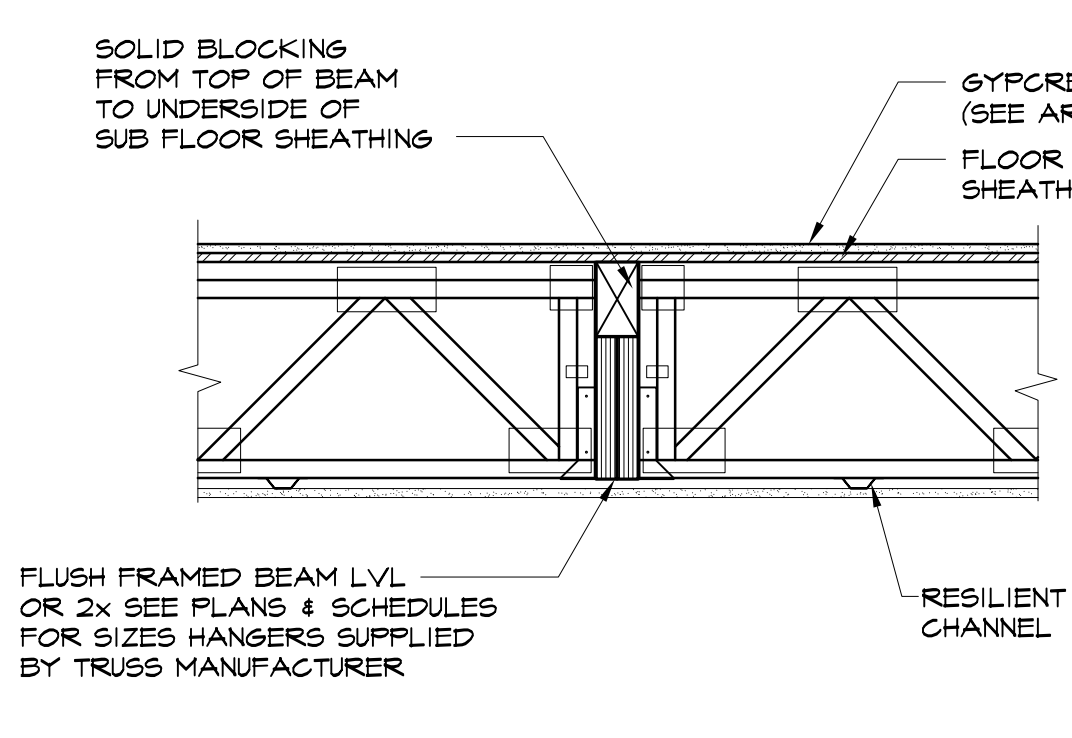
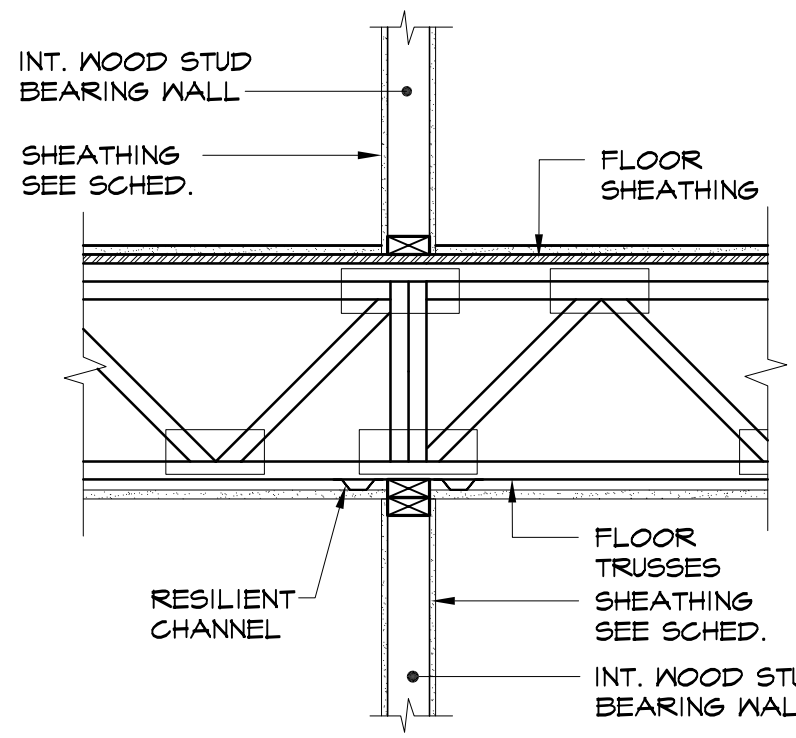
SECTION 2
3/4" = 1'-0"

SECTION 3
3/4" = 1'-0"

SECTION 4
3/4" = 1'-0"

SECTION 5
3/4" = 1'-0"

SECTION 6
3/4" = 1'-0"



SECTION 7
3/4" = 1'-0"

SECTION 8
3/4" = 1'-0"

SECTION 9
3/4" = 1'-0"

SECTION 10
3/4" = 1'-0"

SECTION 11
3/4" = 1'-0"

STATE OF MAINE
MANTAS
VEITAS
PROFESSIONAL ENGINEER

Prepared For:
118 on Munjoy Hill, LLC
118 CONGRESS STREET
PORTLAND, ME 04101

Consultant:
VEITAS VEITAS
engineers
680 Granite Street, Suite 10184
Portland, ME 04106
TEL: (207) 772-4022 FAX: (207) 772-4056

Architect:
ARCHETYPE
architects
48 Union Wharf Portland, Maine 04101
(207) 772-4022 Fax (207) 772-4056

Project:
118 ON MUNJOY HILL
118 CONGRESS STREET
PORTLAND, MAINE

Revisions:
100% CONSTRUCTION DOCUMENTS

Scale: As indicated

Date: 5 MAR 2014

Sections & Details

S5.01