

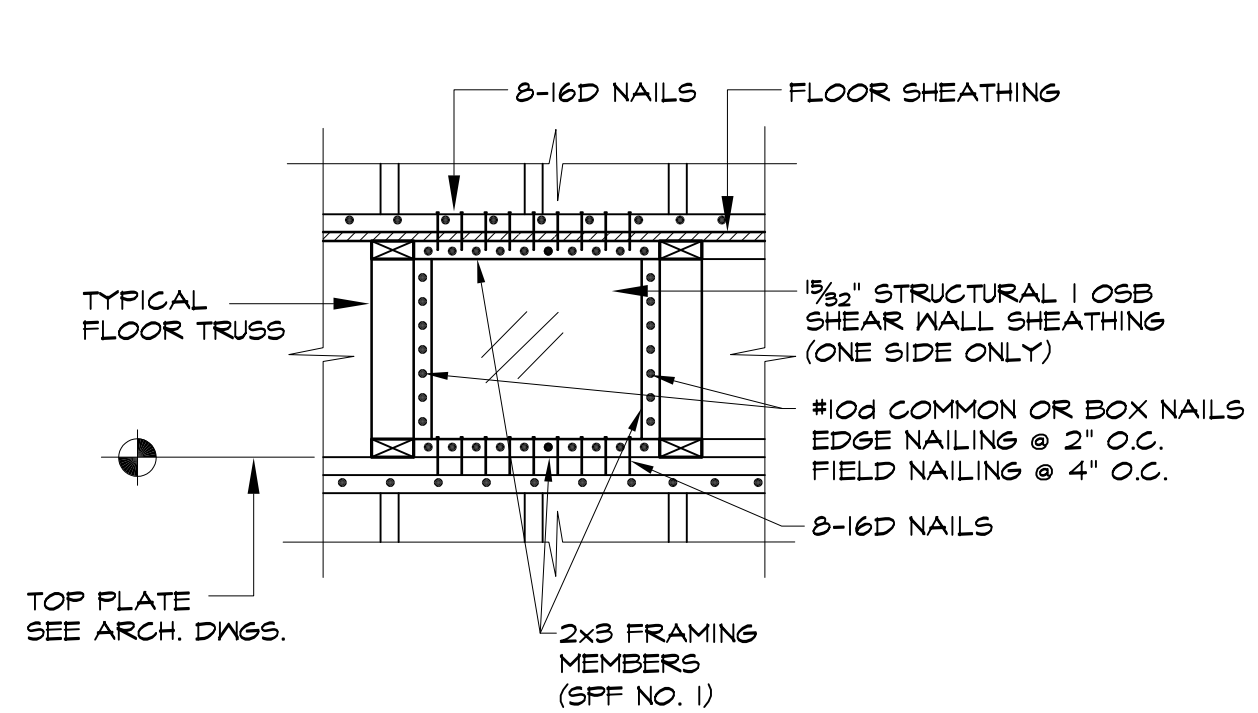
SHEAR WALL SCHEDULE

SWI-7/16" PLYWOOD(OSB) ONE SIDE

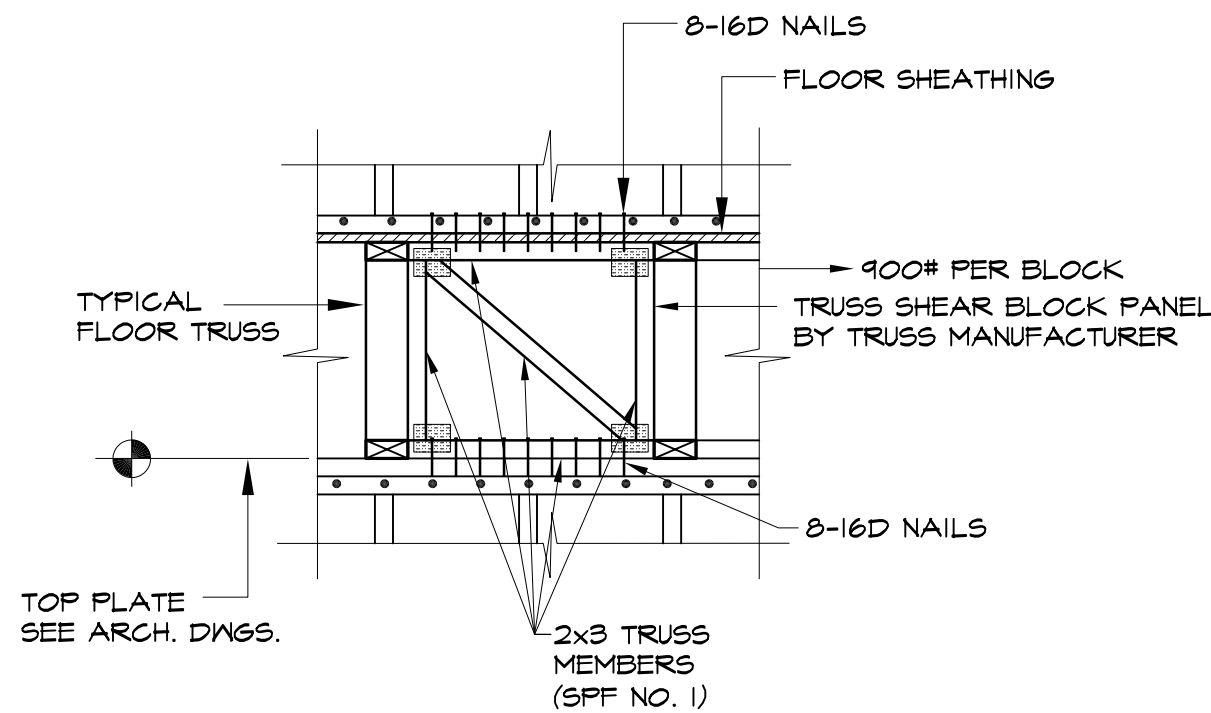
LEVEL	OSB-SHEATHING NAILING & BLOCKING	PLATE FASTENING & SHEAR BLOCKING	SHEAR WALL ANCHORAGE TYPE A		SHEAR WALL ANCHORAGE TYPE B		SHEAR WALL ANCHORAGE TYPE C		SHEAR WALL ANCHORAGE TYPE D		SHEAR WALL ANCHORAGE TYPE E		SHEAR WALL ANCHORAGE TYPE F	
	EDGE NAIL TYPE & SPACING	SHEAR BLOCK SPACING	WALL CHORDS		WALL CHORDS		WALL CHORDS		WALL CHORDS		WALL CHORDS		WALL CHORDS	
	FIELD NAIL TYPE & SPACING	BOTTOM PLATE FASTENING	HOLDDOWNS / FLOOR TIES	HOLDDOWNS / FLOOR TIES	HOLDDOWNS / FLOOR TIES	HOLDDOWNS / FLOOR TIES	HOLDDOWNS / FLOOR TIES	HOLDDOWNS / FLOOR TIES	HOLDDOWNS / FLOOR TIES	HOLDDOWNS / FLOOR TIES	HOLDDOWNS / FLOOR TIES	HOLDDOWNS / FLOOR TIES	HOLDDOWNS / FLOOR TIES	HOLDDOWNS / FLOOR TIES
	BLOCKING		LEFT CHORD	RIGHT CHORD	LEFT CHORD	RIGHT CHORD	LEFT CHORD	RIGHT CHORD	LEFT CHORD	RIGHT CHORD	LEFT CHORD	RIGHT CHORD	LEFT CHORD	RIGHT CHORD
4TH FLOOR	8d NAILS @ 6" o.c.	@6-0" (AT ROOF)	2-2x...	2-2x...	2-2x...	2-2x...	X		2-2x...	2-2x...	2-2x...	2-2x...	2-2x...	2-2x...
	8d NAILS @ 6" o.c.				CS20	CS20			CS10	CS10	N/A	N/A	CS22	CS22
	BLOCKED	@4-0"												
3RD FLOOR	8d NAILS @ 6" o.c.		2-2x...	2-2x...	2-2x...	2-2x...	2-2x...	2-2x...	2-2x...	2-2x...	2-2x...	2-2x...	2-2x...	2-2x...
	8d NAILS @ 6" o.c.				2-CS16	2-CS16	CS14	CS14	N/A	N/A	2-CS14	2-CS14	N/A	N/A
	BLOCKED	@2-0"											CS16	CS16
2ND FLOOR	8d NAILS @ 4" o.c.		4-2x...	4-2x...	3-2x...	3-2x...	2-2x...	2-2x...	4-2x...	4-2x...	2-2x...	2-2x...	2-2x...	2-2x...
	8d NAILS @ 6" o.c.				HD01-SD525	HD01-SD525	HD08-SD63	HD08-SD63	HD02-SD525	HD02-SD525	HD04-SD525	HD04-SD525	HD05-SD525	HD05-SD525
	BLOCKED	HILT X-CP-12-P8-S23 @6" O.C.	W/ 1" ANCHOR ROD	W/ 1" ANCHOR ROD	W/ 3/8" ANCHOR ROD	W/ 3/8" ANCHOR ROD	W/ 3/8" ANCHOR ROD	W/ 3/8" ANCHOR ROD	W/ 1" ANCHOR ROD	W/ 1" ANCHOR ROD	N/A	N/A	W/ 3/8" ANCHOR ROD	W/ 3/8" ANCHOR ROD
ANCHOR TYPE DETAIL			TYPE 1				TYPE 2				TYPE 1			

SHEAR WALL SCHEDULE NOTES:

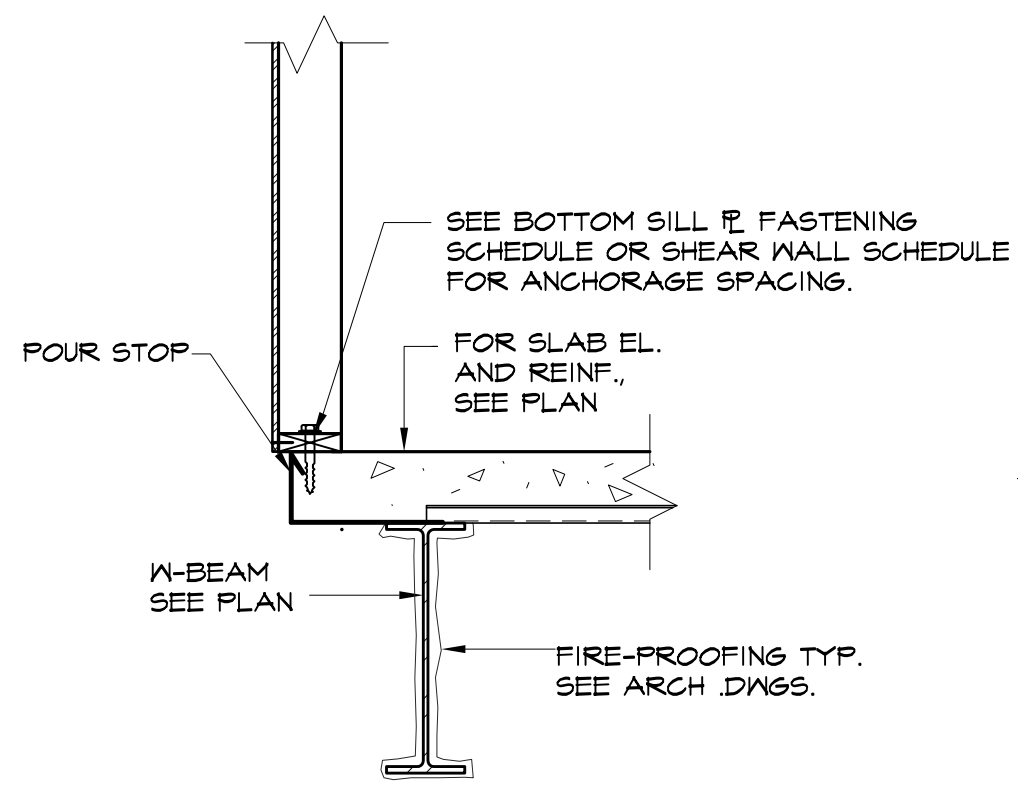
1. IF PLYWOOD PANELS ARE ORIENTED HORIZONTALLY THE EDGES OF ALL PANELS SHALL BE BLOCKED W/ SOLID 2X... MEMBERS.
2. VERTICALLY ORIENTED PANELS SHALL HAVE SUFFICIENT LENGTH TO SPAN FROM BOTTOM PLATE TO MID HEIGHT OF THE TOP PLATE.
3. FILLER PANEL AT FLOOR CAVITIES SHALL BE ATTACHED TO THE TOP PLATE OF THE LOWER WALL AND THE BOTTOM PLATE OF THE HIGHER WALL. NAIL PATTERN SHALL BE THE SAME AS THE LOWER WALL.
4. ALL INTERIOR SHEARWALL SHALL BE ATTACHED BY POWDER ACTUATED FASTENERS. SEE SCHEDULE FOR SPACINGS.
5. ALL HOLDDOWNS TO BE BY SIMPSON STRONG TIE OR EQUAL



TYPICAL PLYWOOD SHEAR BLOCK PANEL DETAIL OPTION #1

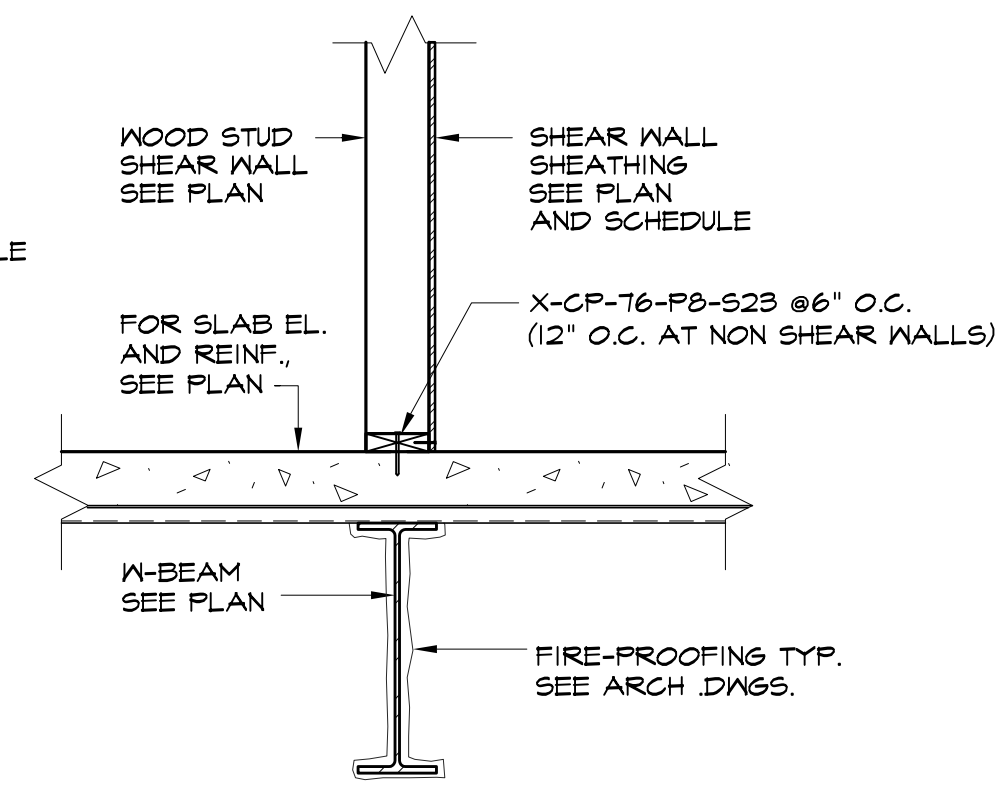


TYPICAL PLYWOOD SHEAR BLOCK PANEL DETAIL OPTION #2



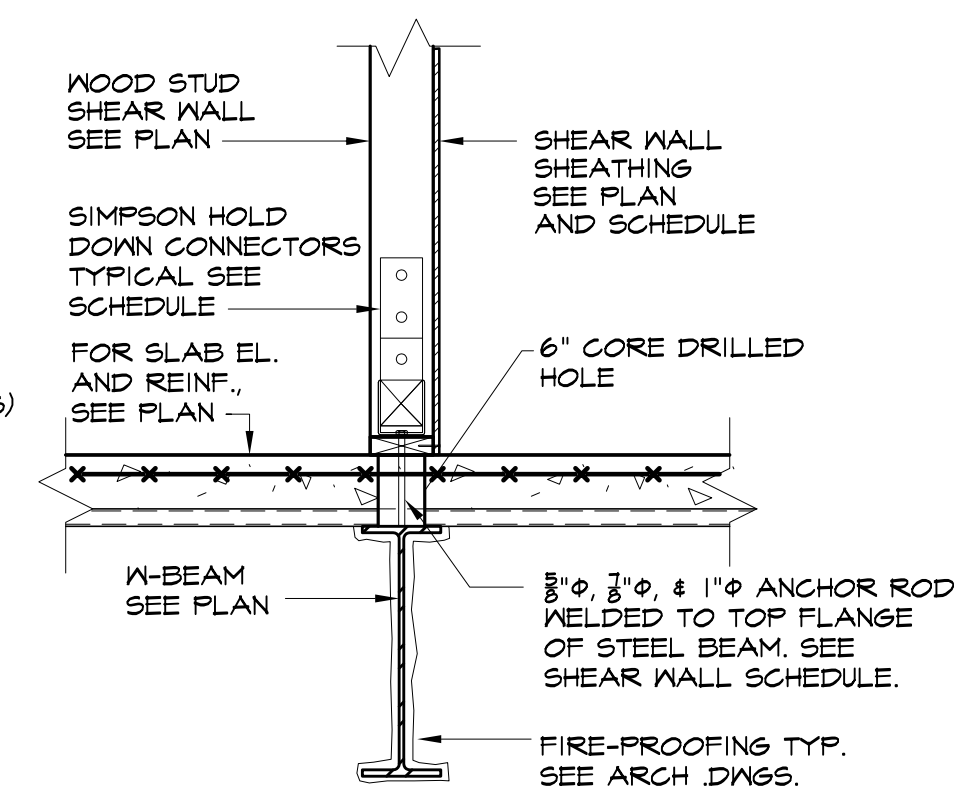
EXTERIOR SHEAR WALL

TYPICAL DETAIL OF STUD WALL TO SLAB ON DECK



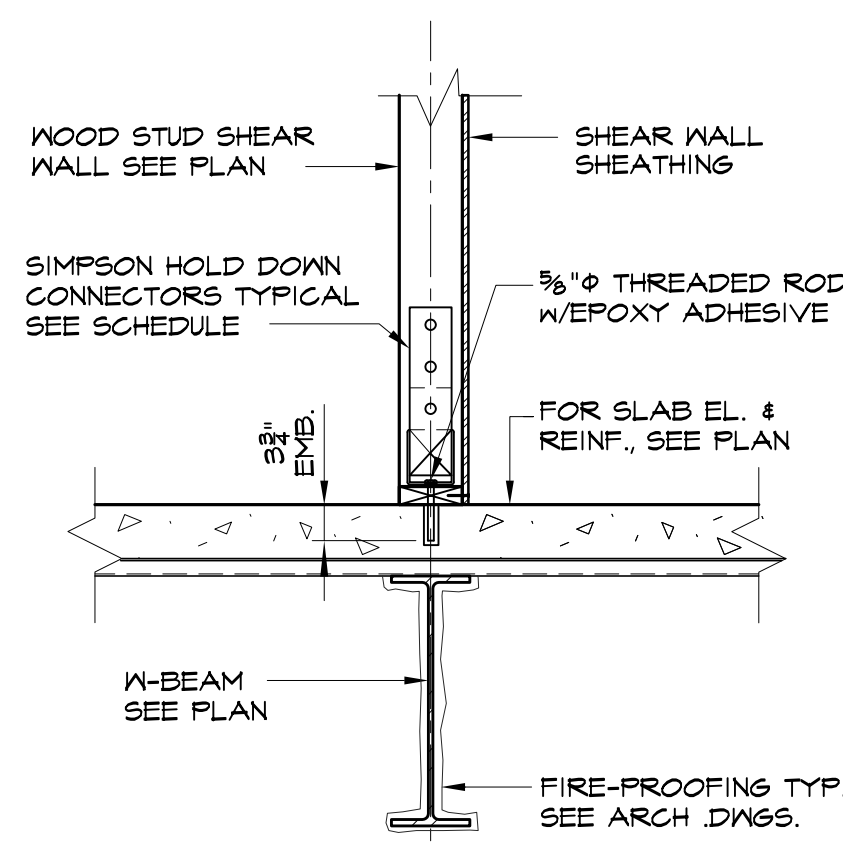
INTERIOR SHEAR WALL

TYPICAL DETAIL OF STUD WALL TO SLAB ON DECK



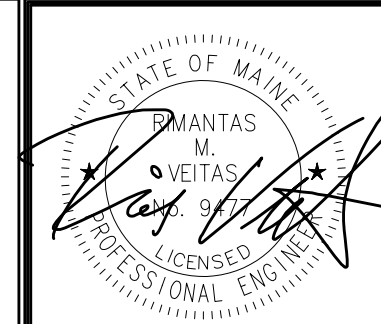
TYPE 1 INTERIOR HOLDDOWNS

TYPICAL DETAIL OF STUD WALL WELDED HOLD-DOWN AT SLAB ON DECK



TYPE 2 INTERIOR HOLDDOWNS

TYPICAL DETAIL OF STUD WALL EPOXY HOLD-DOWN AT SLAB ON DECK



Prepared For:
118 on Munjoy Hill, LLC
118 CONGRESS STREET
PORTLAND, ME 04101

Consultant:
VEITAS VEITAS
engineers
681 Granite Street, Suite 10184
Portland, ME 04101
TEL: (207) 772-4022 FAX: (207) 772-4056

Architect:
ARCHETYPE
architects
48 Union Wharf Portland, Maine 04101
(207) 772-6022 Fax (207) 772-4056

Project:
118 ON MUNJOY HILL
118 CONGRESS STREET
PORTLAND, MAINE

Revisions:
100% CONSTRUCTION DOCUMENTS

Date: 5 MAR 2014
Scale: As indicated
Shear Wall Schedule & Shear Wall Details

S3.03