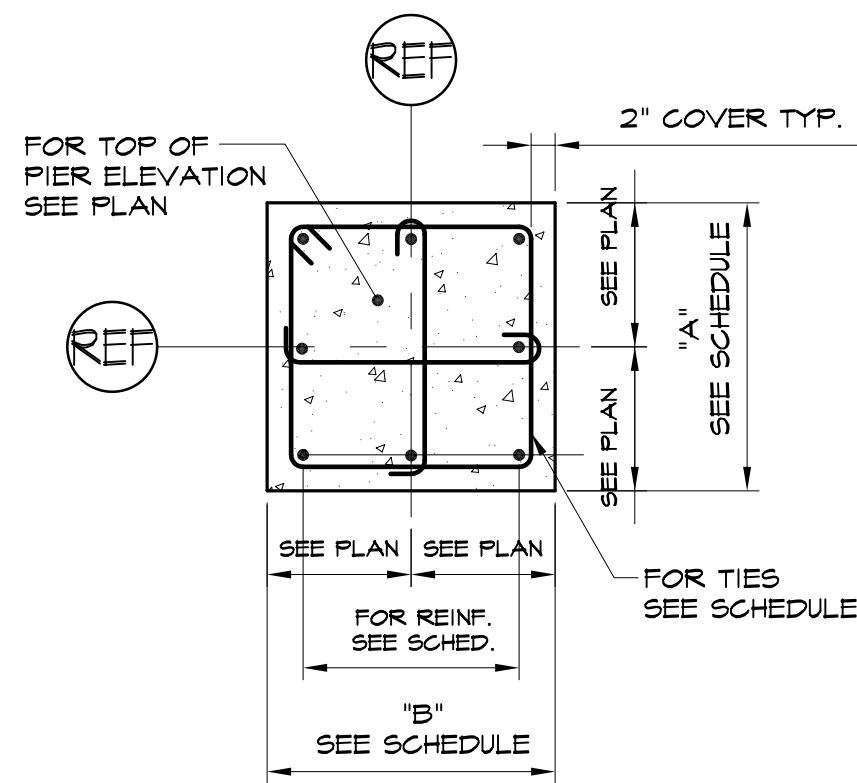


COLUMN SCHEDULE						
COL. NO.	C1	C2	C3	C4	C5	C6
LEVEL						
2ND FLOOR						
GROUND FL.	M10x84	M10x45	M10x44	M10x33	M10x84	M10x44
BASE PL. TYPE	A	A	A	B	B	B
BASE PL. SIZE "N" x "L" x "B"	16'x14'x1'-4"	16'x14'x1'-4"	17'x14'x1'-5"	16'x1x1'-4"	16'x12'x1'-4"	16'x14'x1'-4"

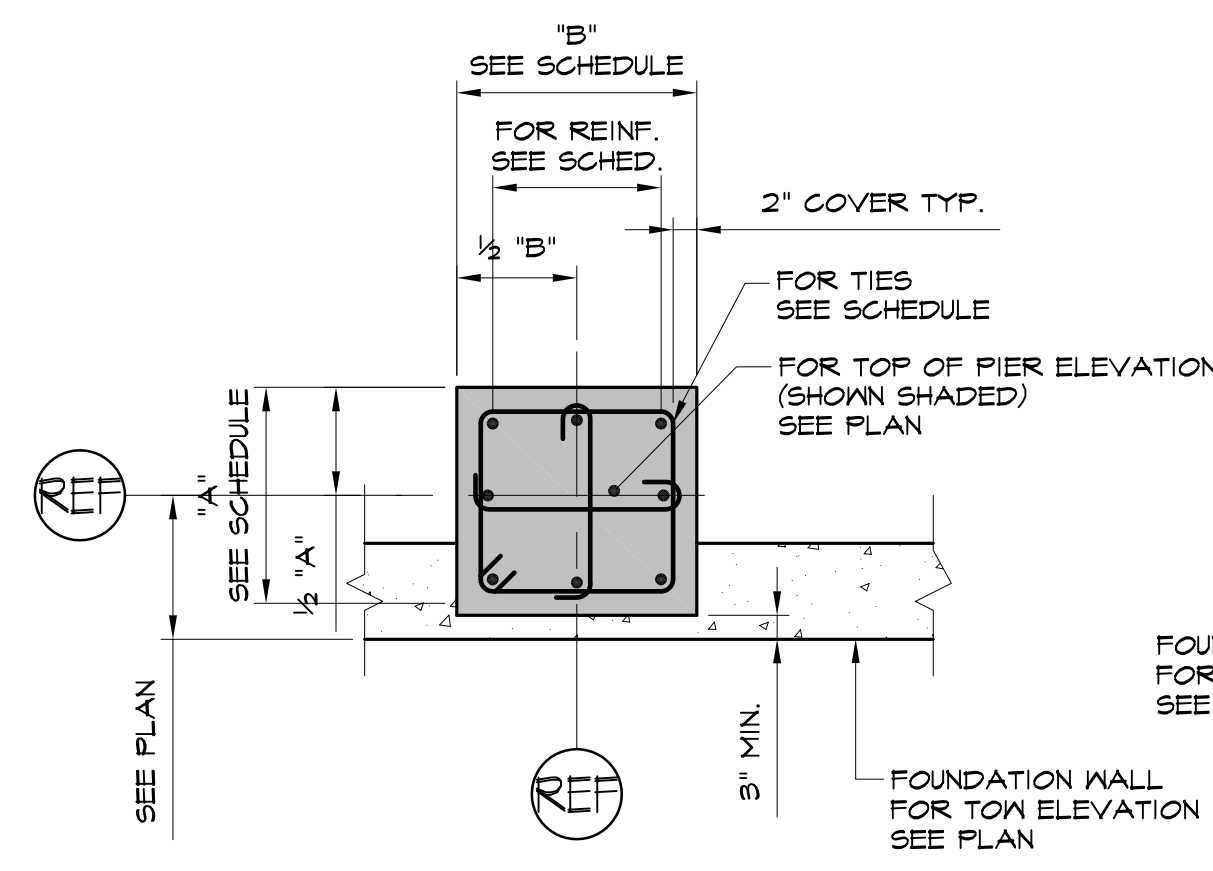
COLUMN SCHEDULE NOTES:

- ALL TS COLUMNS SHALL BE ASTM A500 GRADE B.
- ALL WF COLUMNS SHALL BE ASTM A572 GRADE 50.

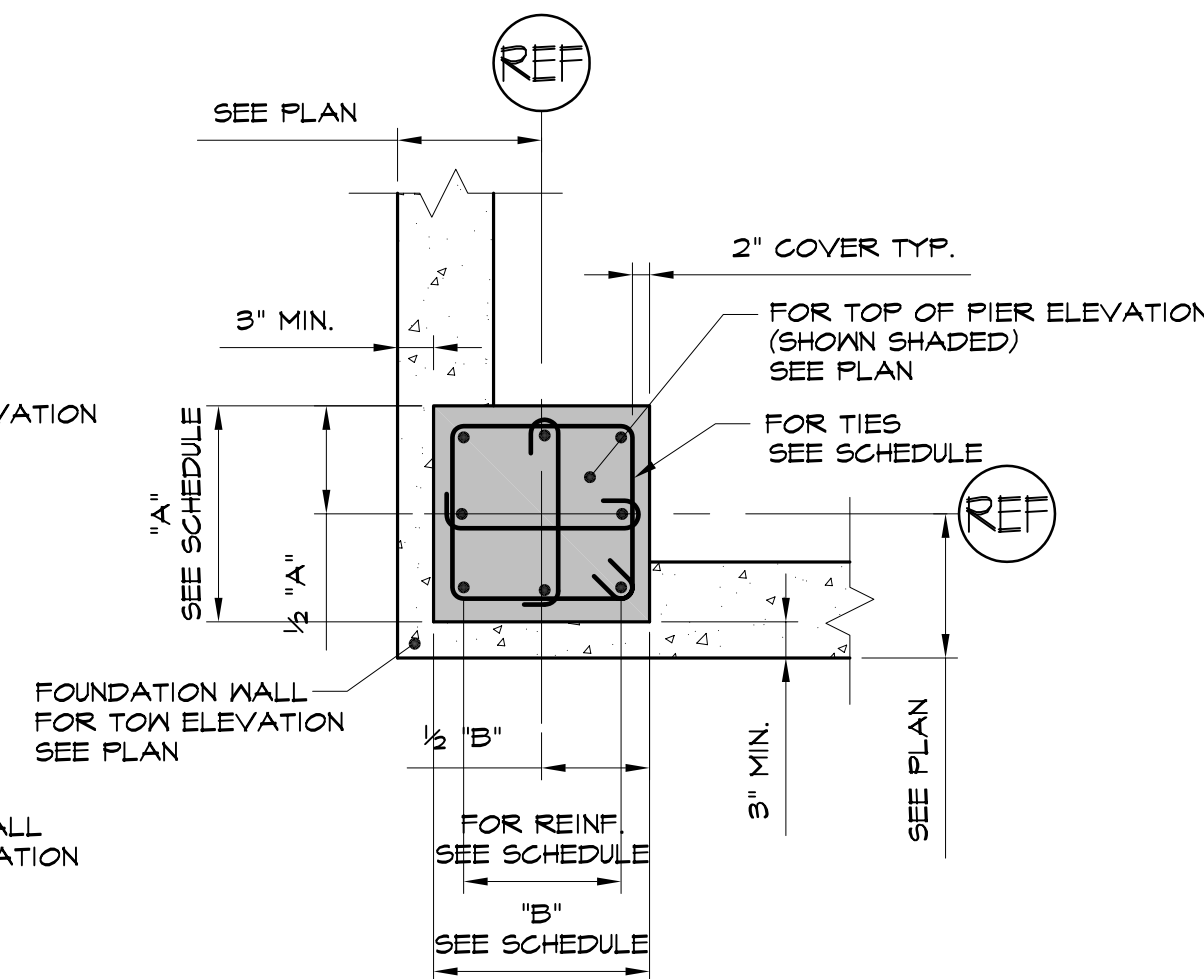
PIER SCHEDULE				
MARK	TYPE	SIZE "A"x"B"	REINFORCING	TIES
P1	A	24"x24"	8-#6	#3@12"
P2	B	24"x24"	8-#6	#3@12"
P3	C	24"x24"	8-#6	#3@12"



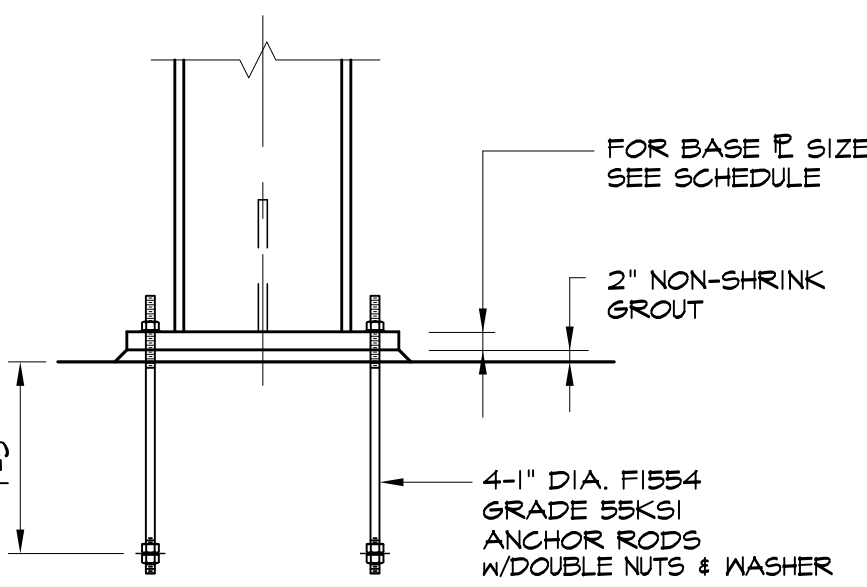
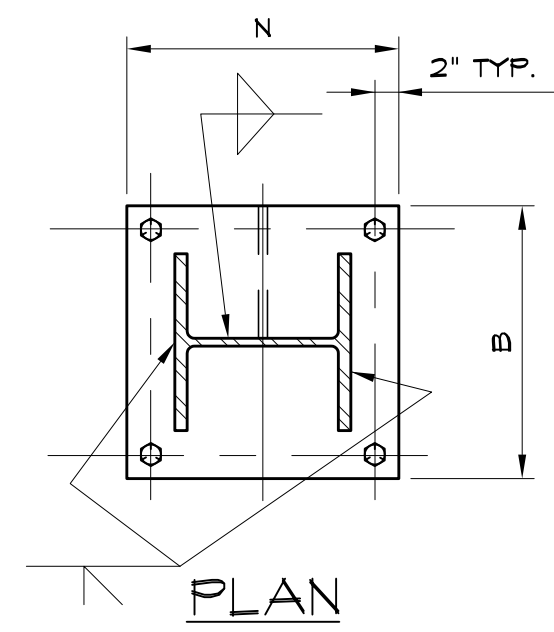
PIER DETAIL TYPE A



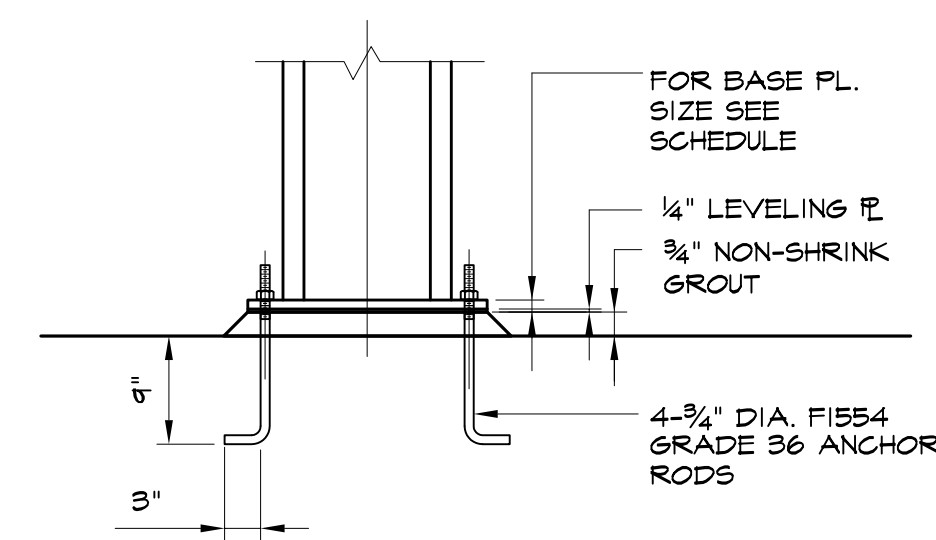
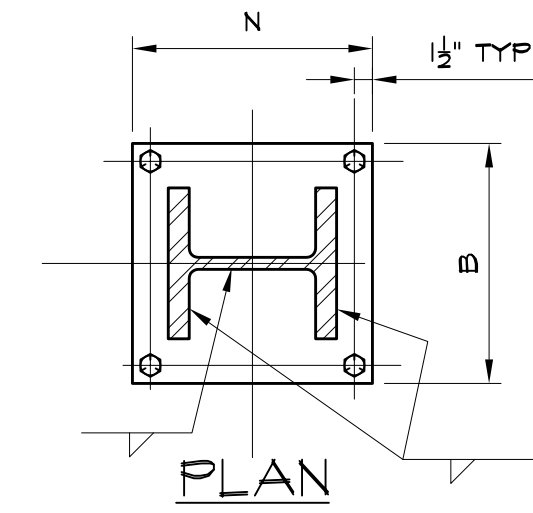
PIER DETAIL TYPE B



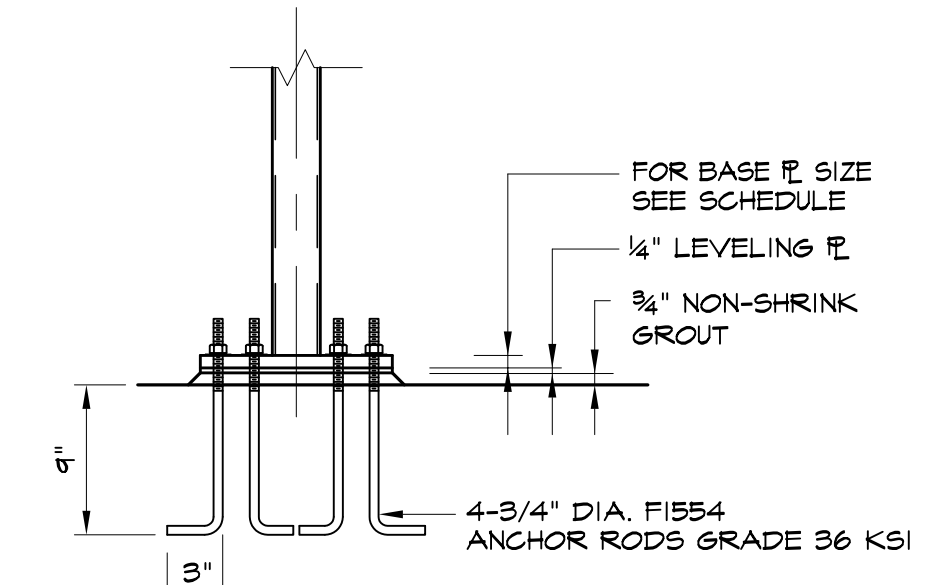
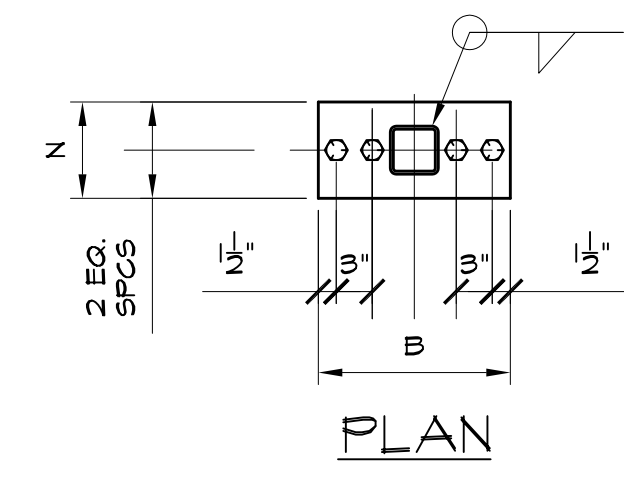
PIER DETAIL TYPE C



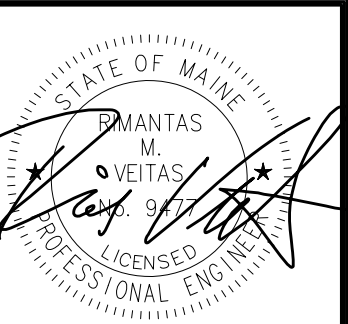
SECTION
BASE PL. TYPE A



SECTION
BASE PL. TYPE-B



SECTION
BASE PL. TYPE C



Prepared For:
118 on Munjoy Hill, LLC
118 CONGRESS STREET
PORTLAND, ME 04101

Consultant:
VEITAS VEITAS
engineers
680 Granite Street, Suite 10184
Portland, ME 04104
TEL: 754-2882 FAX: 754-2882-9000

Architect:
ARCHETYPE
architects
48 Union Wharf Portland, Maine 04101
(207) 772-6022 Fax (207) 772-4056

Project:
118 ON MUNJOY HILL
118 CONGRESS STREET
PORTLAND, MAINE

Revisions:
100% CONSTRUCTION DOCUMENTS

Date: 5 MAR 2014
Scale: As indicated
Column and Pier Schedules and Details

S3.01