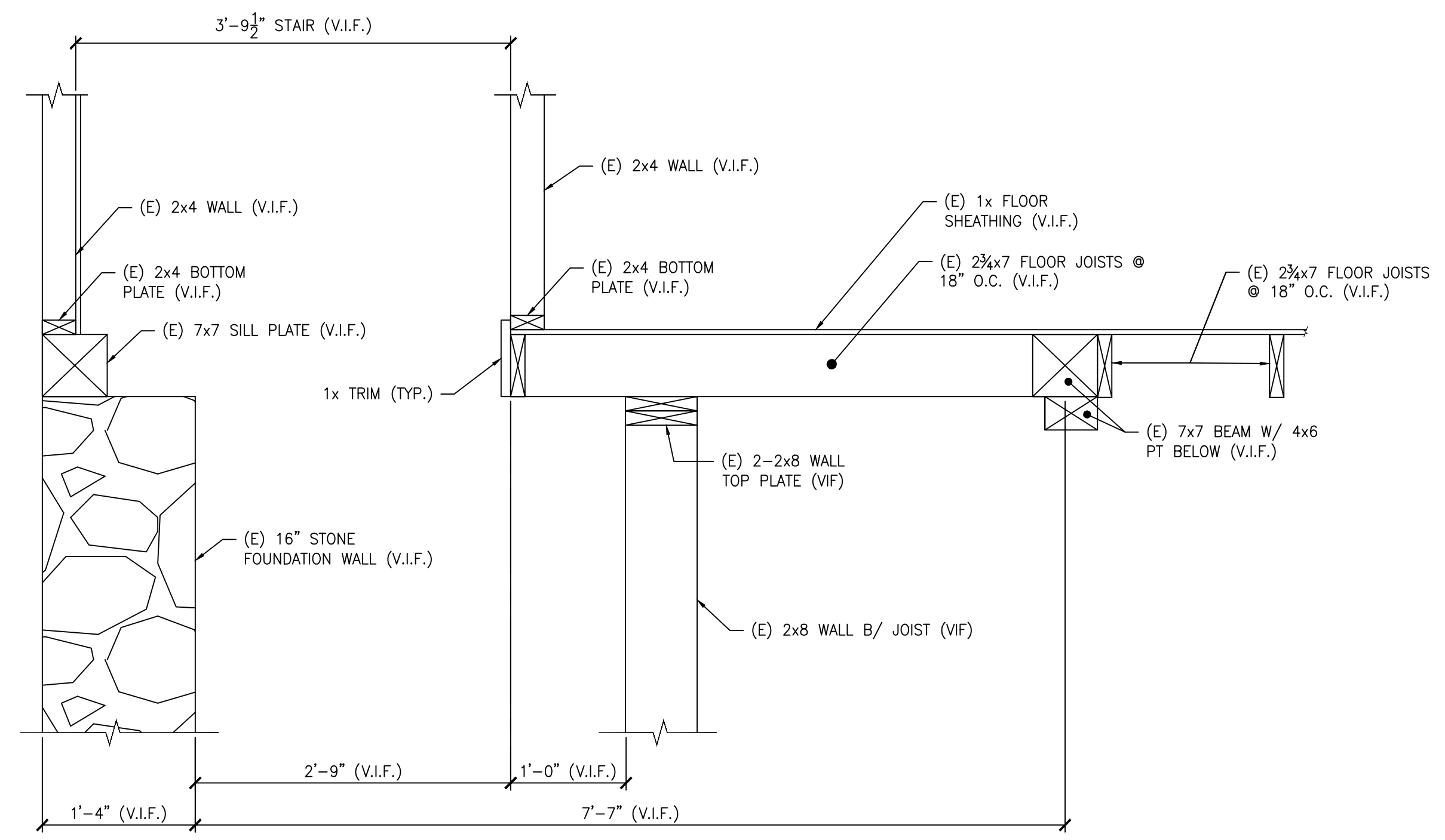
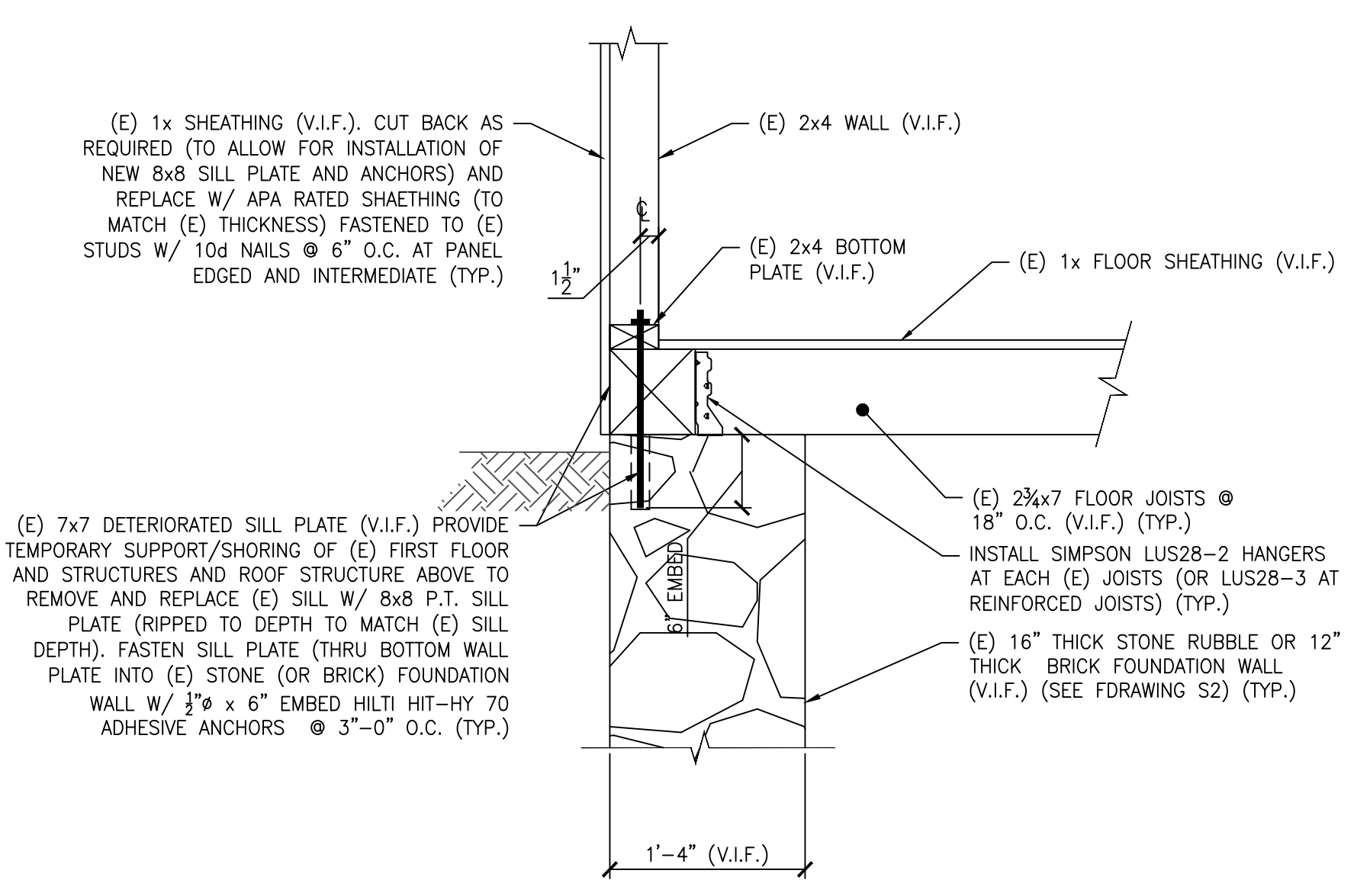


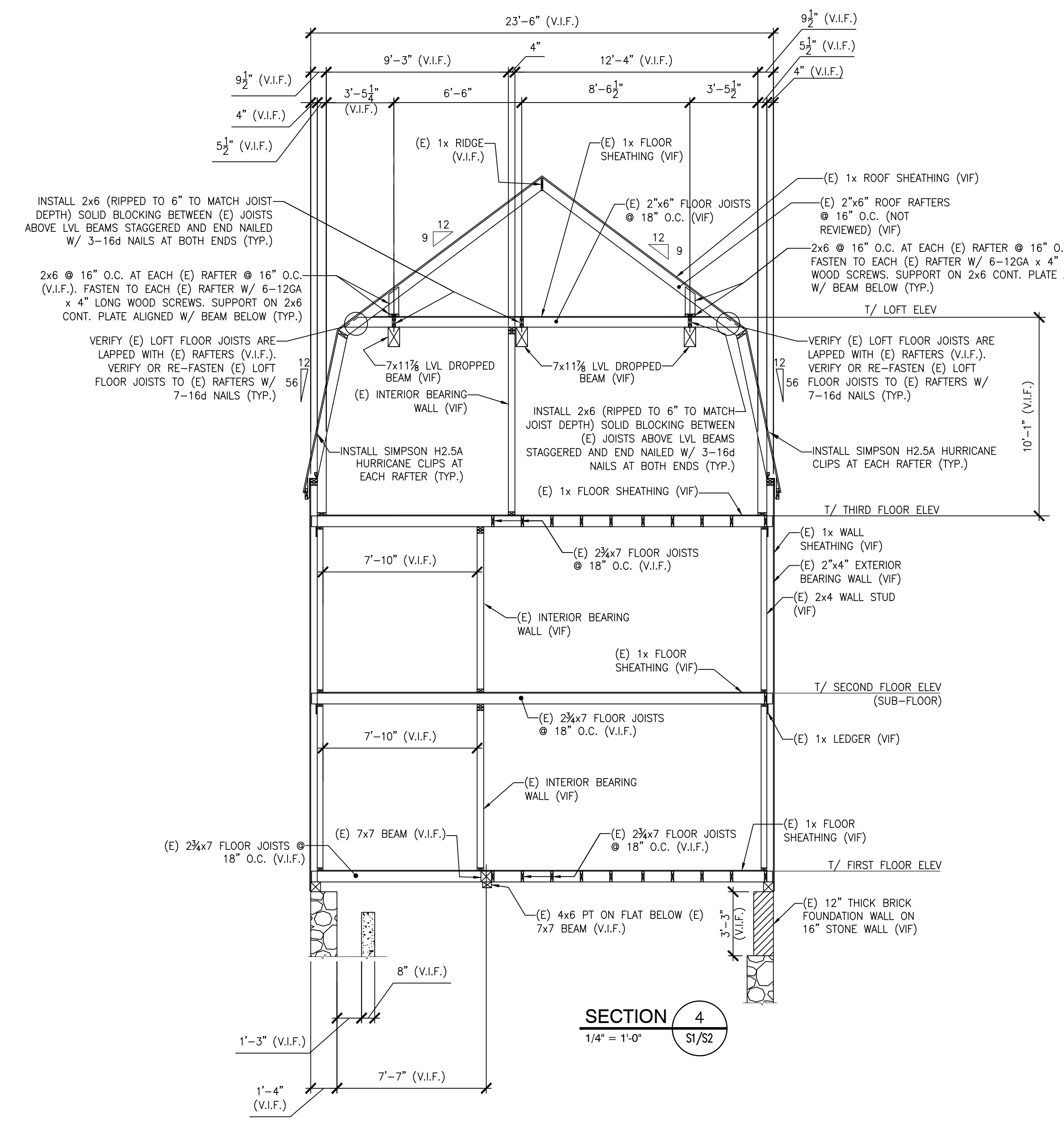
**SECTION 1**  
1 1/2" = 1'-0"  
S1



**SECTION 2**  
1" = 1'-0"  
S1

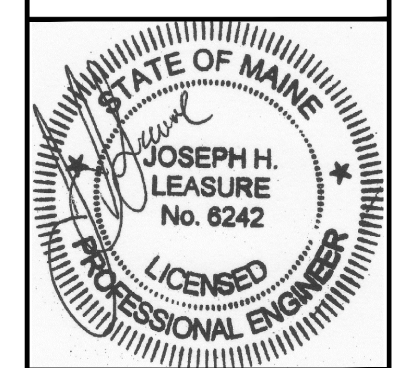


**SECTION 3**  
1" = 1'-0"  
S1



**SECTION 4**  
1/4" = 1'-0"  
S1/S2

**L & L STRUCTURAL ENGINEERING SERVICES, INC.**  
SIX Q STREET  
SOUTH PORTLAND, MAINE 04106  
PHONE: (207) 767-4830  
FAX: (207) 799-5432  
EMAIL: LLEASURE@L-L-ENG.COM



rev.	date	description	designed by	drawn by	checked by	scale	date	plot date	project #
A	10/04/17	FOR PERMIT & PRICING	JHL	JHL	JHL	AS NOTED	08/16/17	10/04/2017	2017-110A

**BUILDING LOCATED AT**  
13 ATLANTIC STREET  
PORTLAND, ME  
**STRUCTURAL RENOVATIONS**  
SECTIONS AND DETAILS

**S3**

THESE DRAWINGS HAVE BEEN DEVELOPED BY L&L STRUCTURAL ENGINEERING SERVICES, INC. FOR THE TITLED SET ONLY. THE DRAWINGS ARE THE SOLE PROPERTY OF L&L ENGINEERING SERVICES, INC. AND THEY SHALL NOT BE USED, LENT, COPIED OR ALTERED WITHOUT THE WRITTEN CONSENT OF L&L STRUCTURAL ENGINEERING SERVICES, INC.