

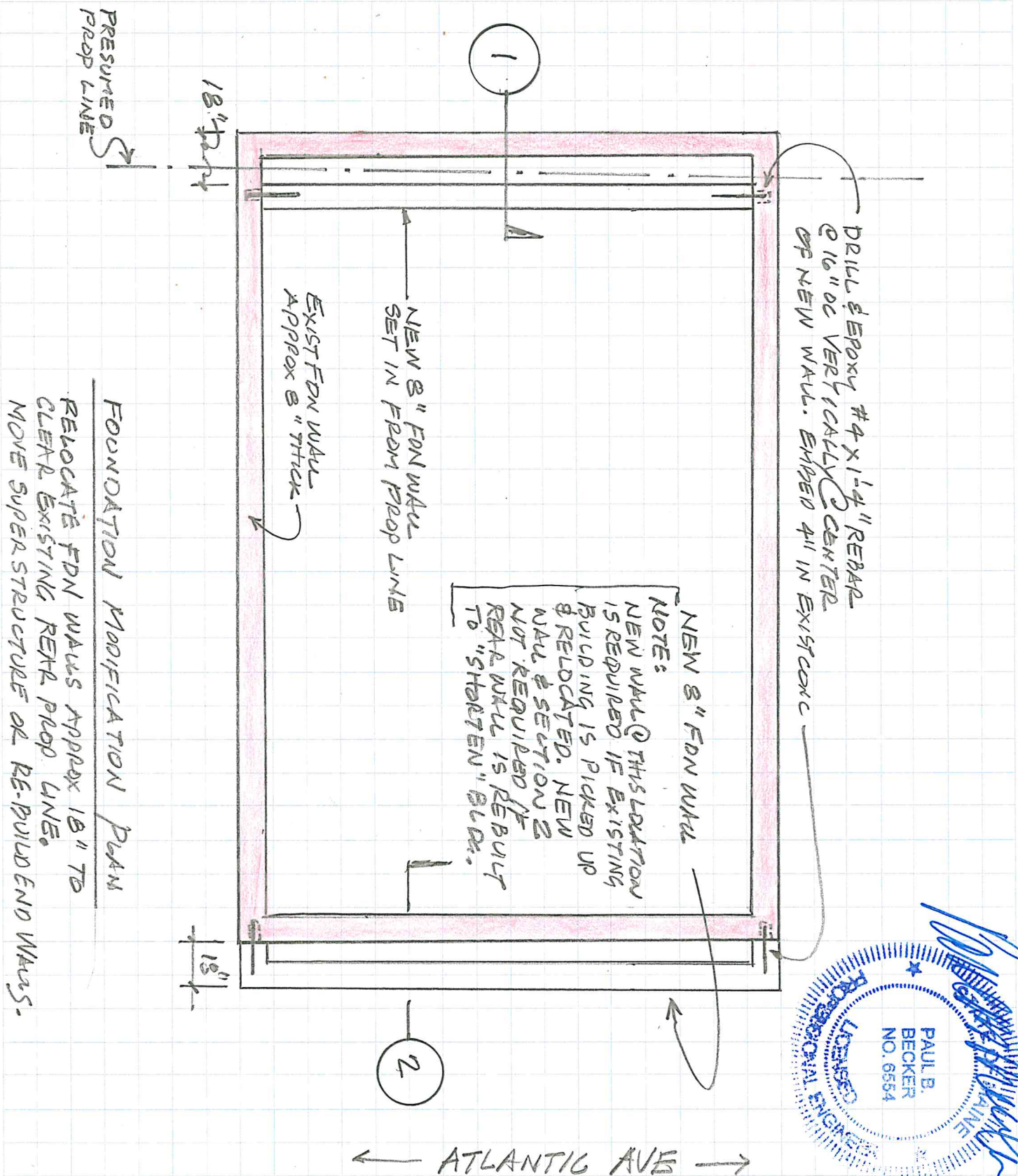


BECKER

STRUCTURAL ENGINEERS

75 York Street, Portland, Maine 04101
207.879.1838 ■ beckerstructural.com

Project GELFAND RESIDENCE
W.D. 3786.01 Sheet 1 of 3
Calculated by PPB Date 6.28.2016
Checked by _____ Date _____





BECKER
STRUCTURAL ENGINEERS

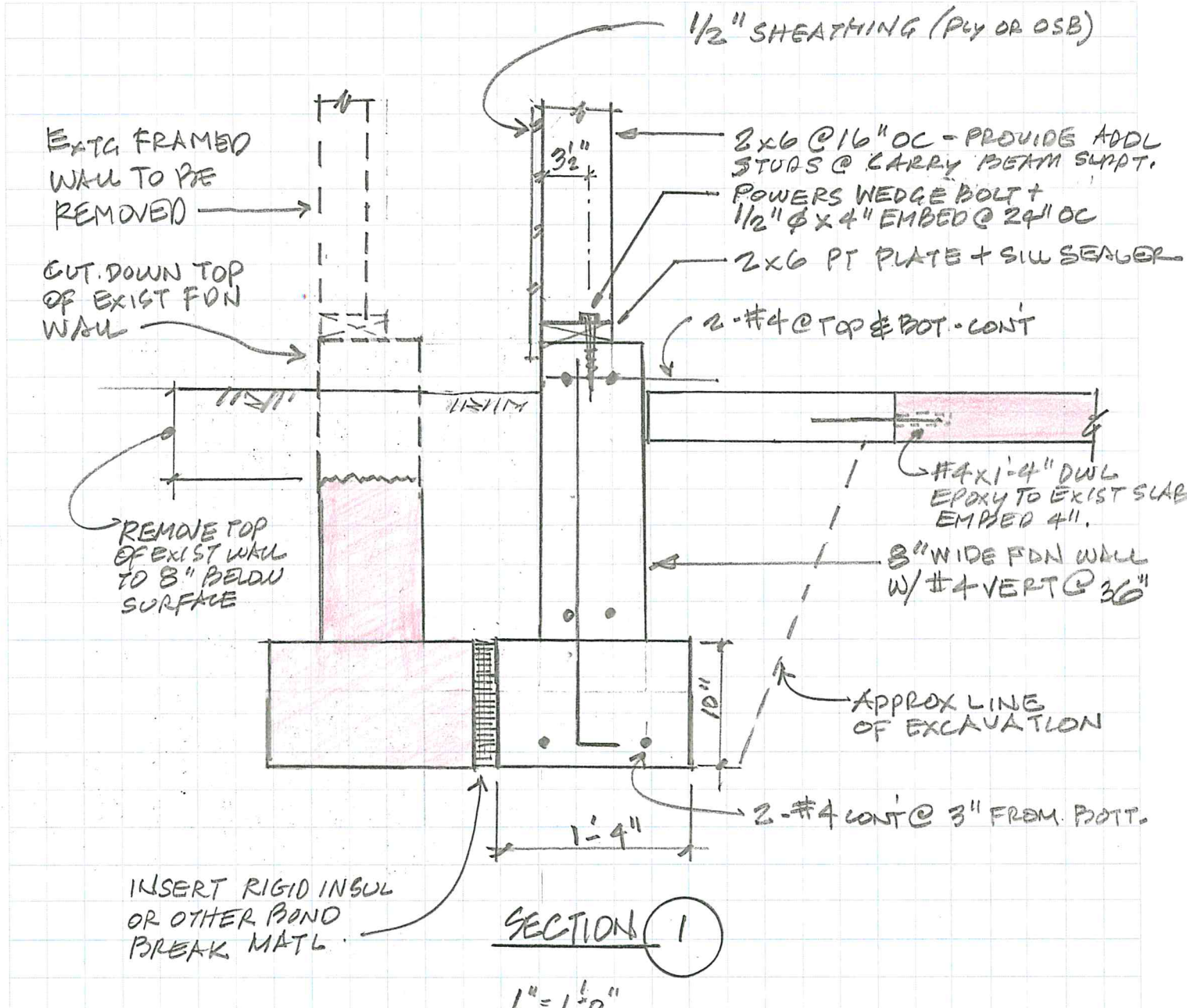
75 York Street, Portland, Maine 04101
207.879.1838 ■ beckerstructural.com

Project: GELFAND RESIDENCE

W.D. 3786.01 Sheet 2 of 3

Calculated by PHB Date 6.28.2016

Checked by _____ Date _____

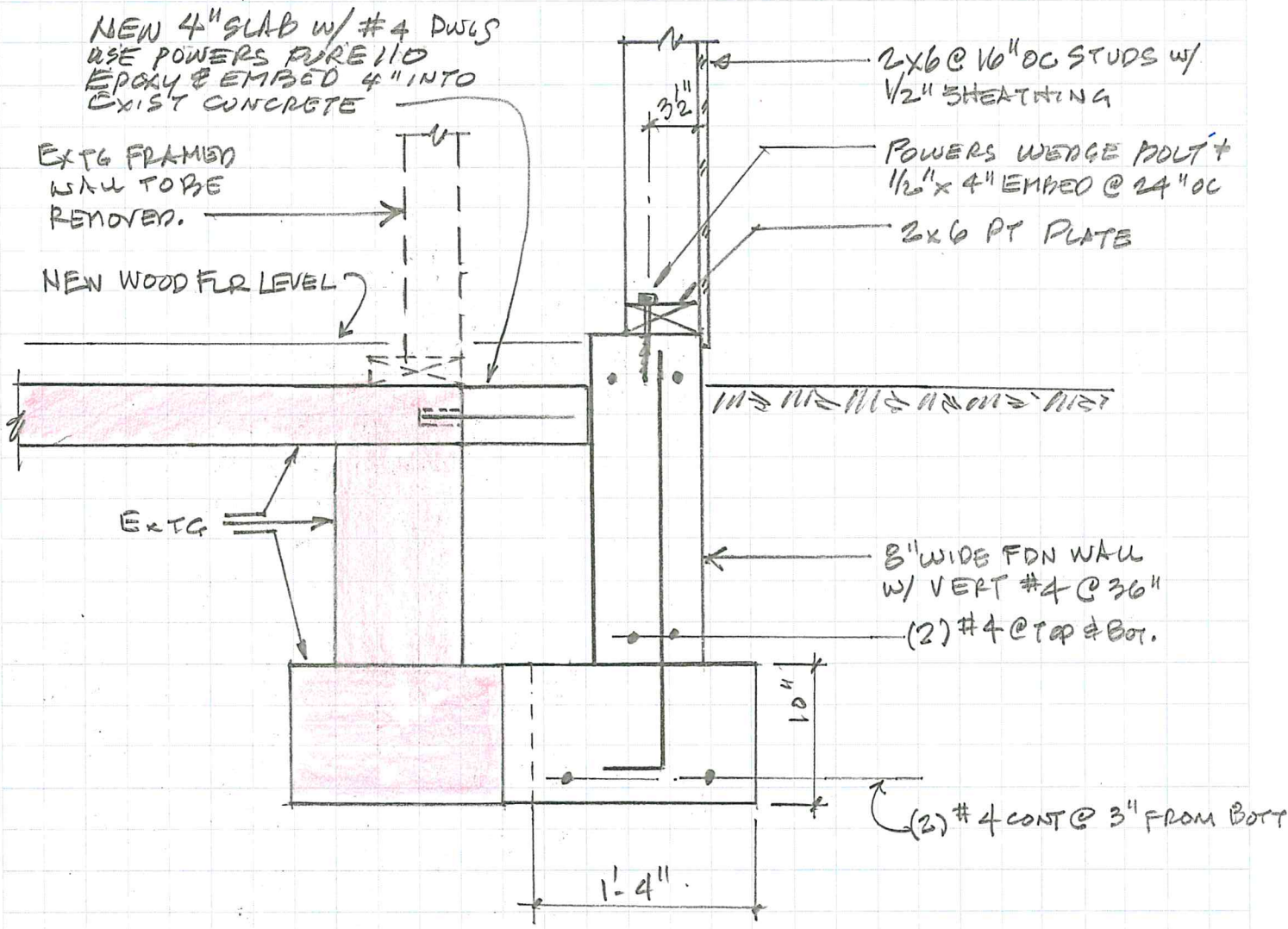


SECTION 1

1" = 1'-0"



Paul B. Becker
7.1.2016



SECTION (2)

STATE OF MAINE
PAUL B. BECKER
NO. 6554
LICENSED
7.1.2016