

CHANGES THIS ISSUE	DESCRIPTION
2	08/29/17

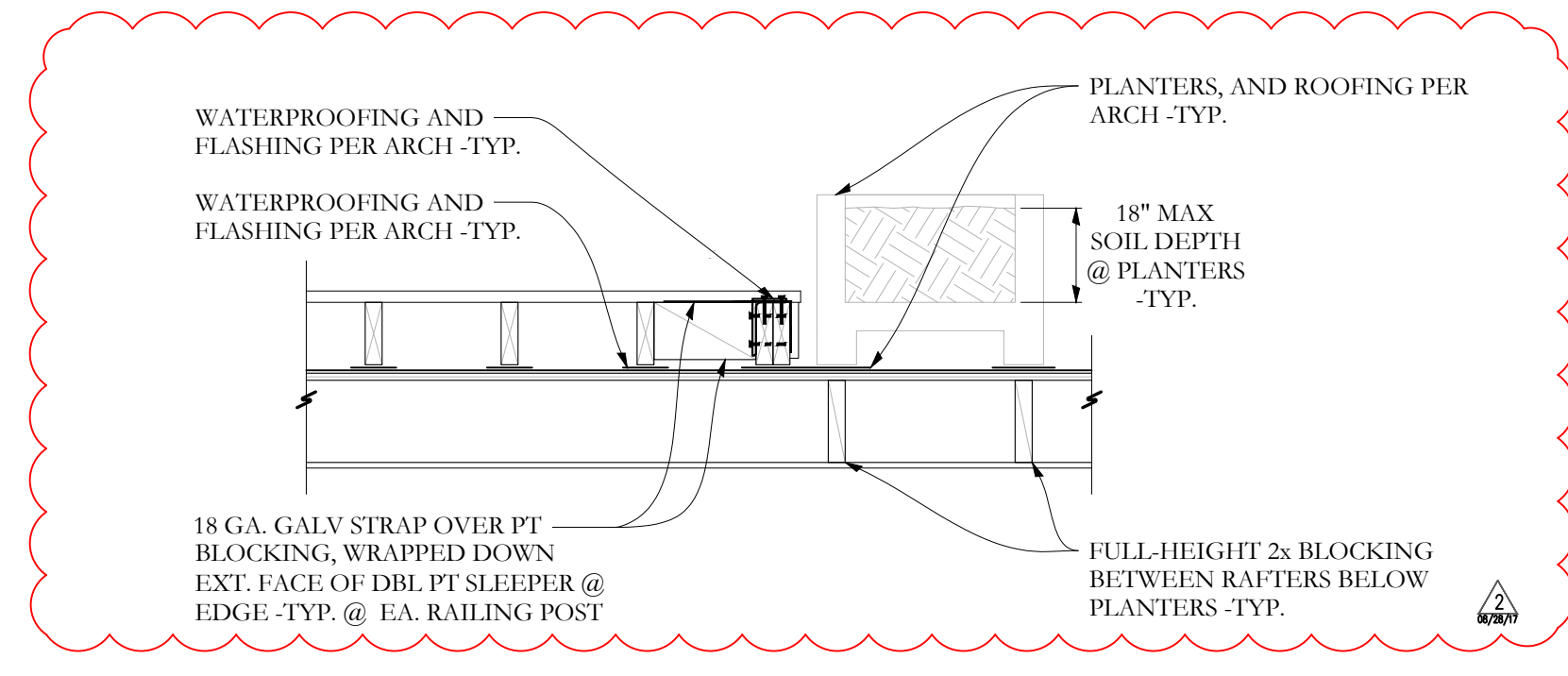
ISSUE NUMBER	DATE	DESCRIPTION	REGION
1	7/31/17		

CONSULTANTS:

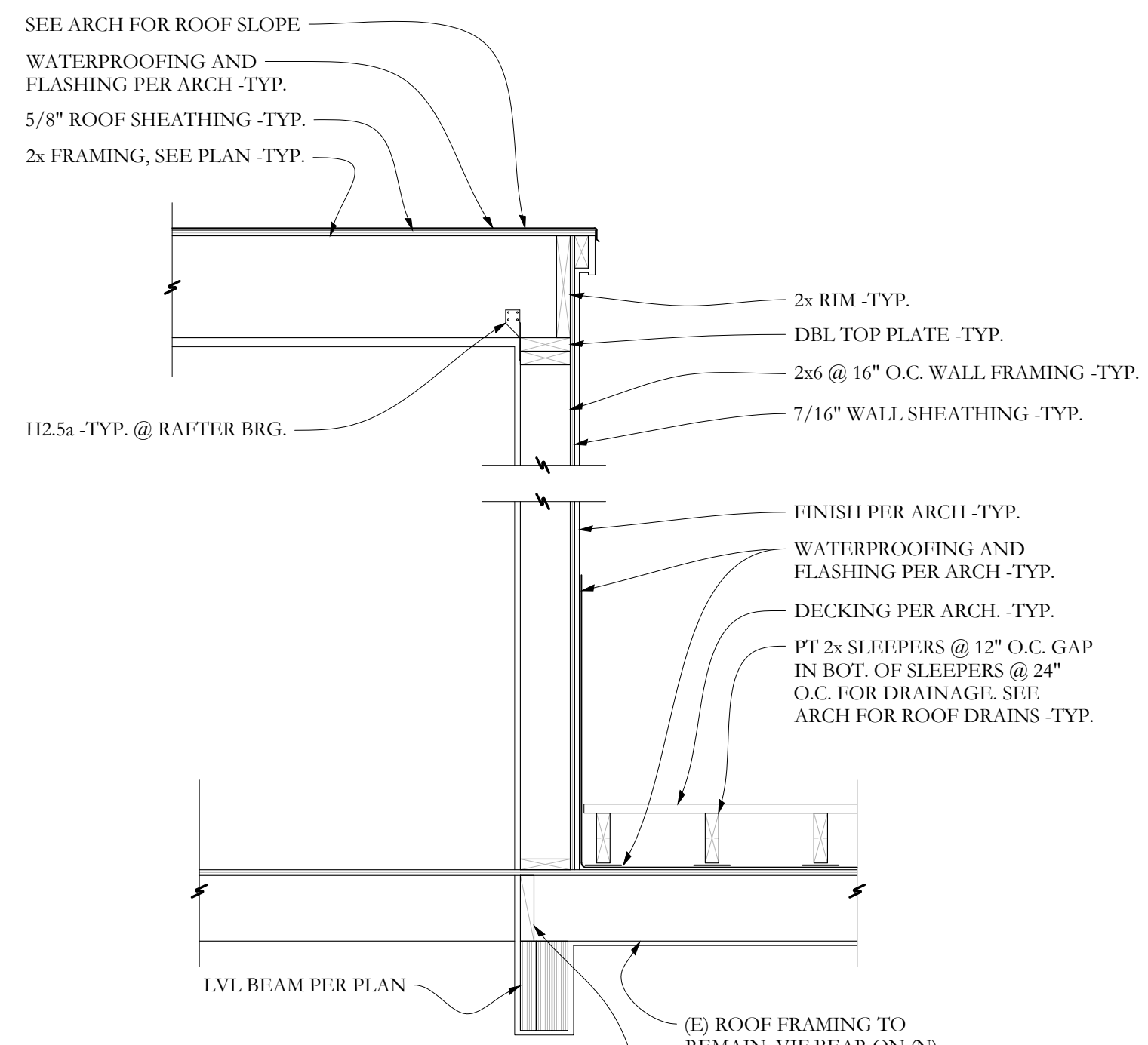
DRAFTER/PERSON:	DATE OF ISSUE:	PROJECT STATUS:
AARON C. JONES	7/31/17	PERMIT

GRISANTI - MUNJOY ST
SUSAN GRISANTI
60 MUNJOY ST PORTLAND, ME 04101

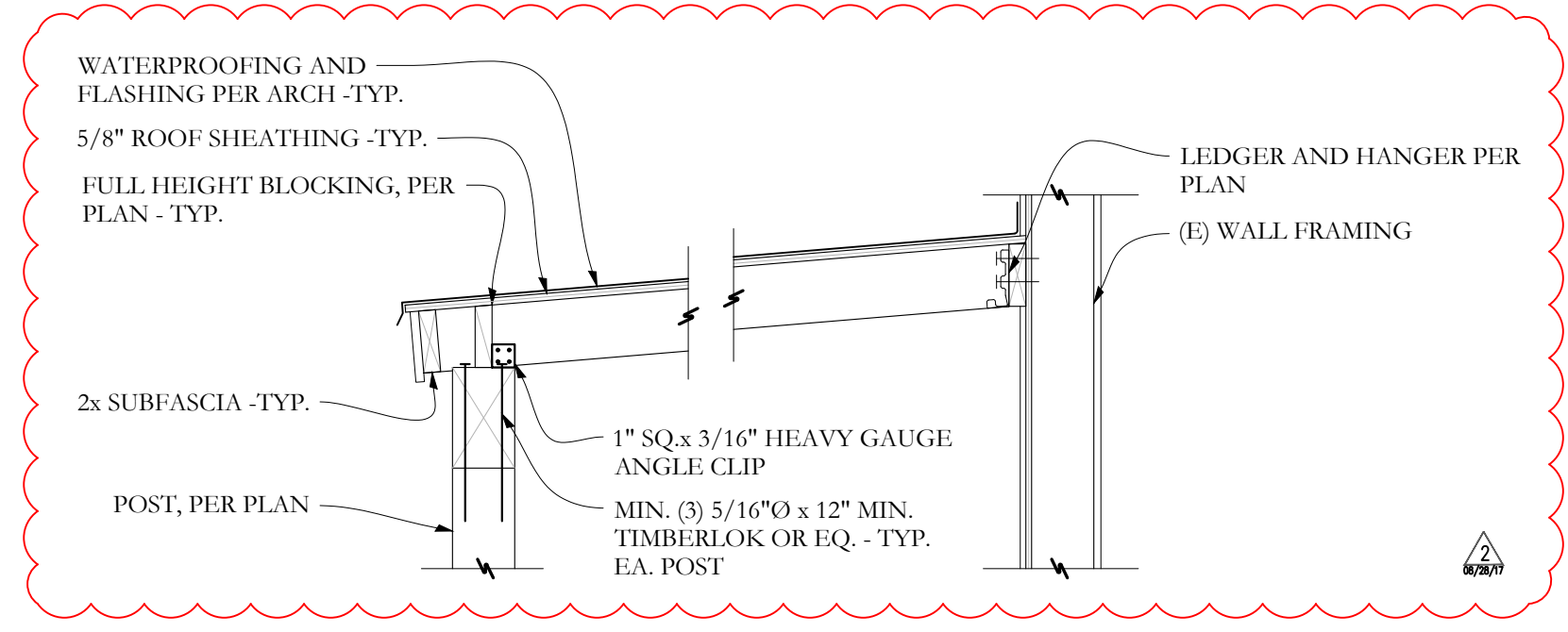
DETAILS
S2.1



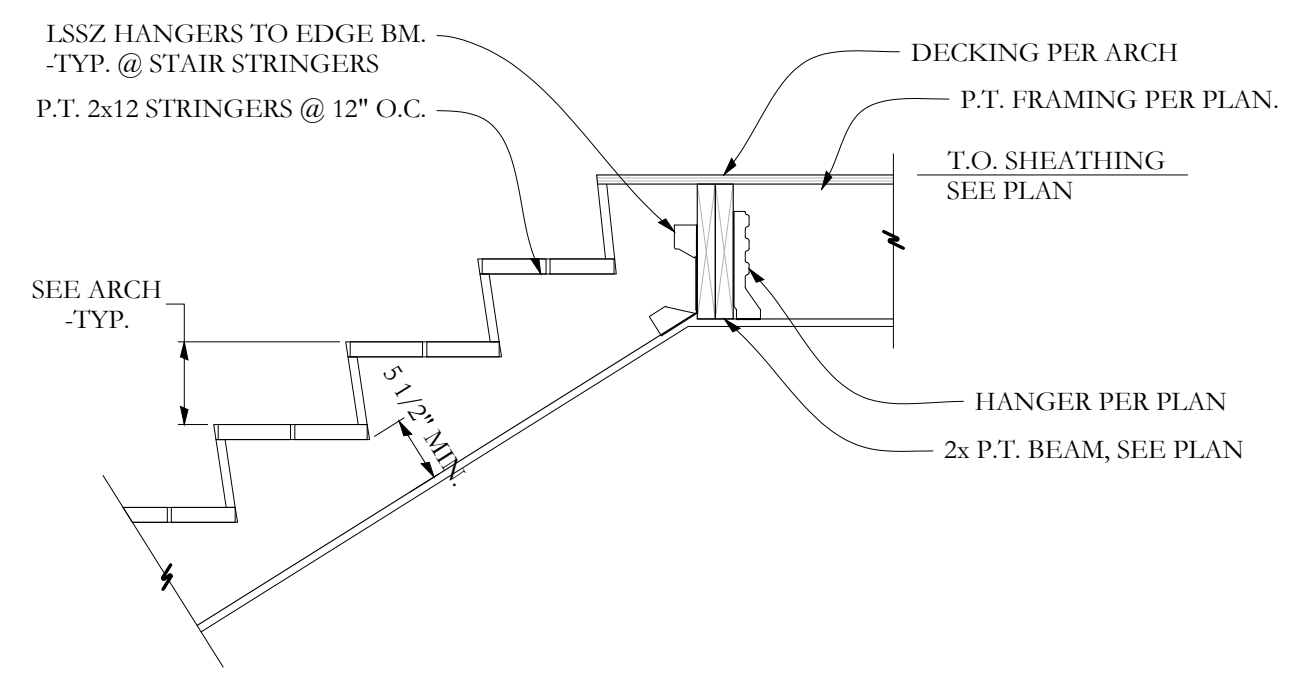
SECTION G S2.1 3/4"=1'-0"



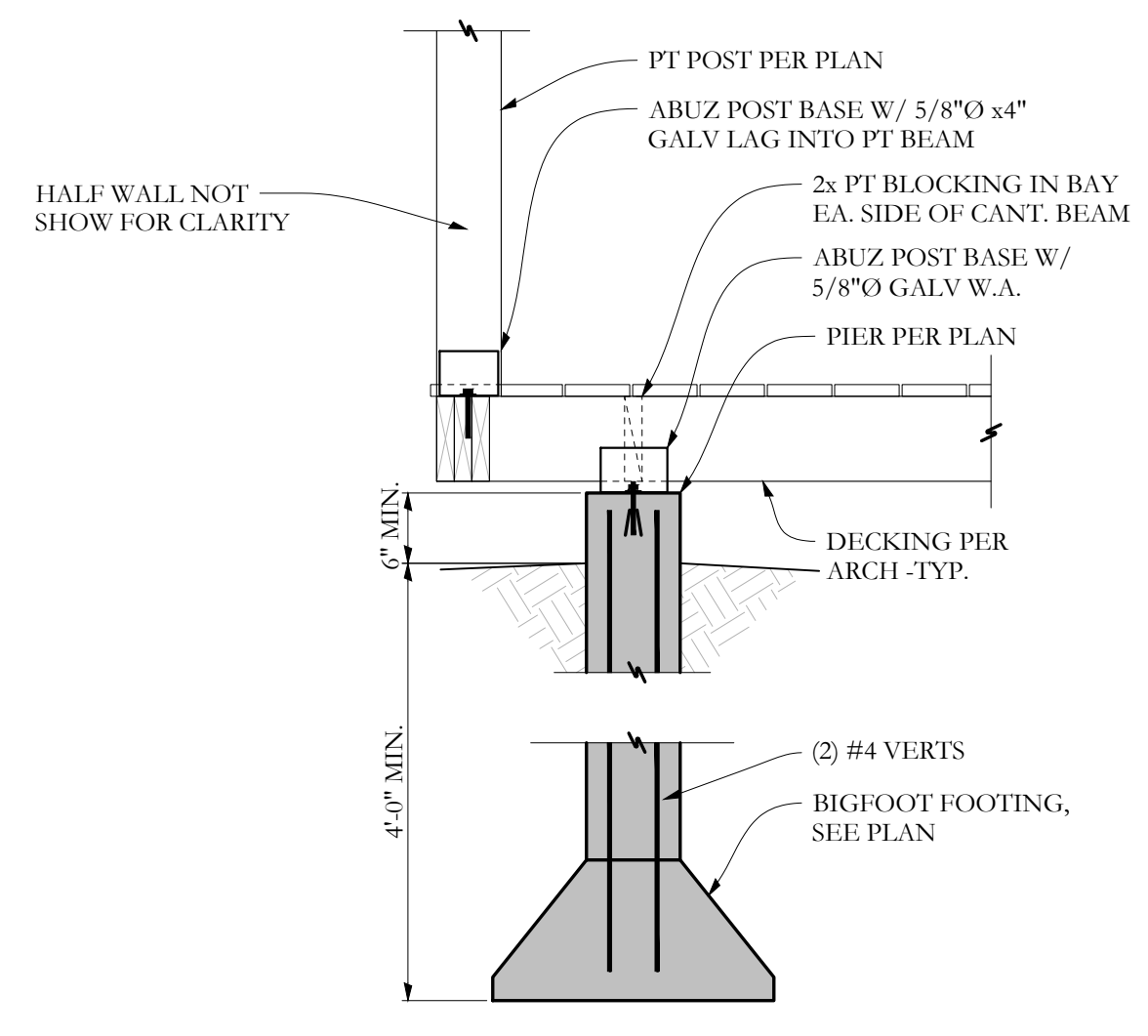
SECTION H S2.1 3/4"=1'-0"



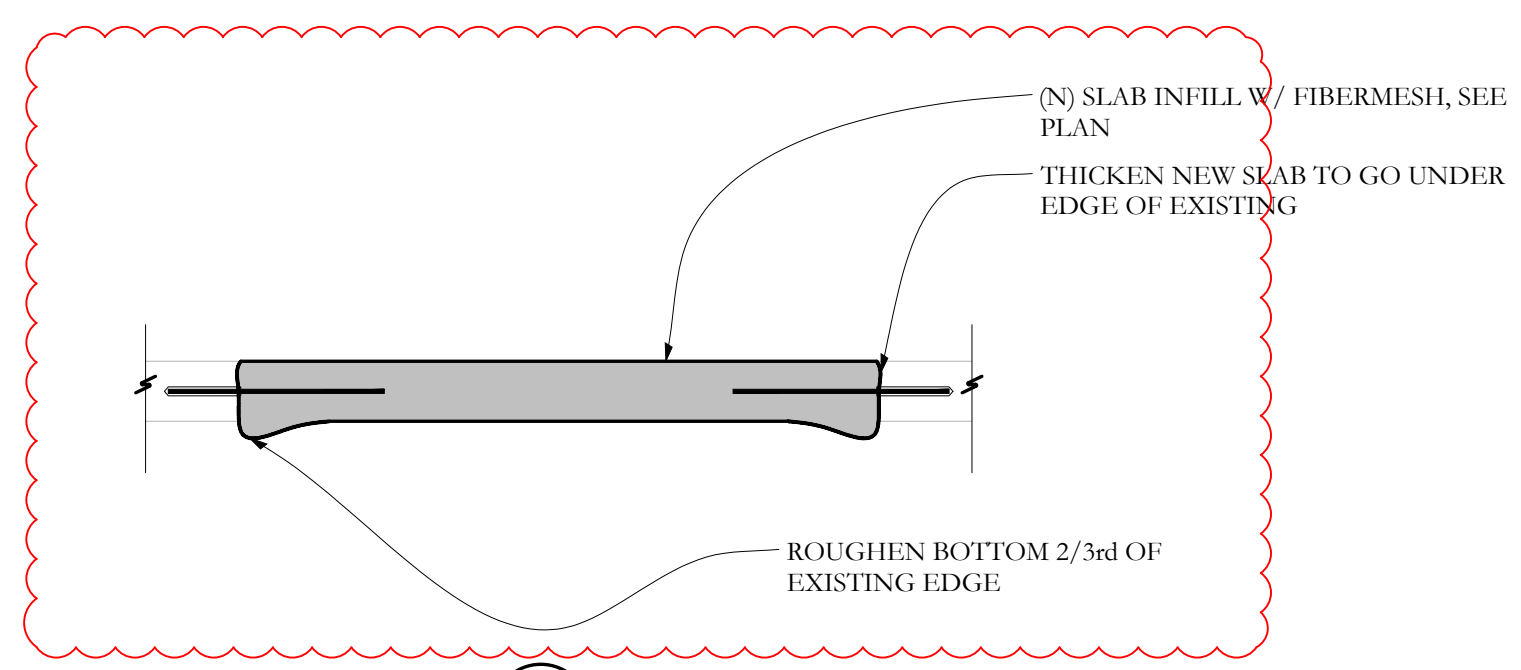
SECTION F S2.1 3/4"=1'-0"



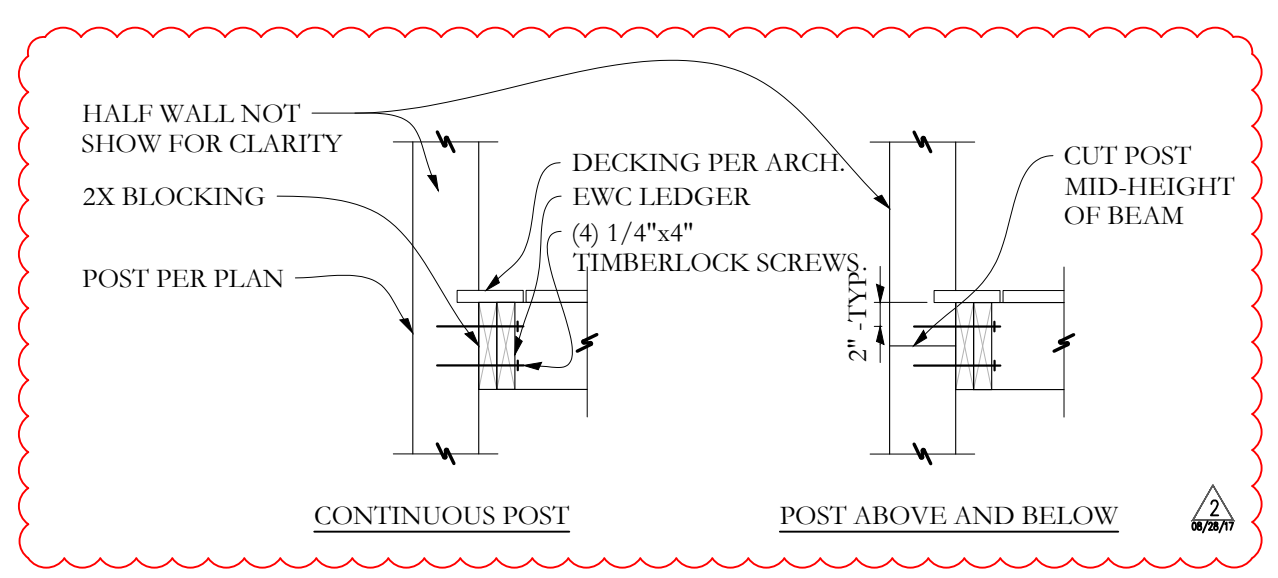
SECTION D S2.1 3/4"=1'-0"



SECTION A S2.1 3/4"=1'-0"

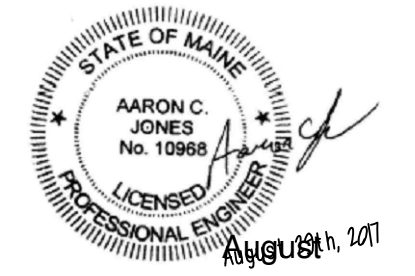


SECTION B S2.1 3/4"=1'-0"



SECTION C S2.1 3/4"=1'-0"

FOR PERMIT



Structural Integrity
Consulting Engineers, Inc.
77 Oak Street
Portland, ME, 04101
p. 207-774-4614
f. 866-793-7835
www.structuralinteg.com
BUILD WITH CONFIDENCE
© 2017 Structural Integrity Consulting Engineers, Inc.

SI # 17-0060