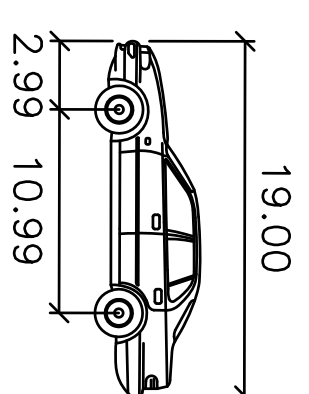
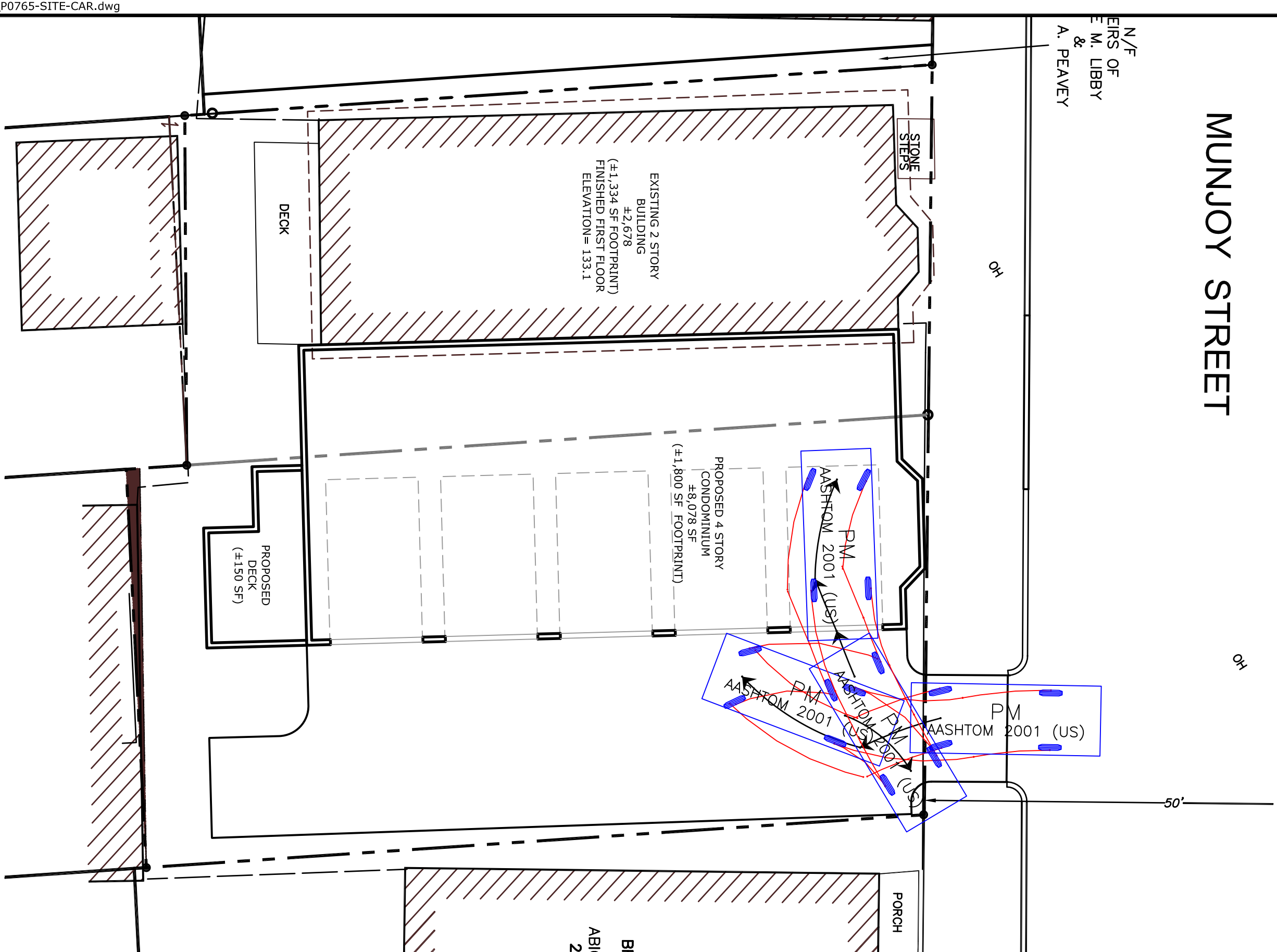


PM feet
Width : 6.99
Track : 6.00
Lock to Lock Time : 6.0
Steering Angle : 31.6

MUNJOY STREET

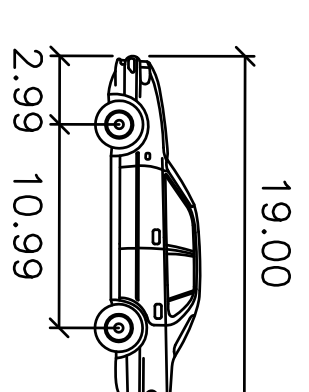
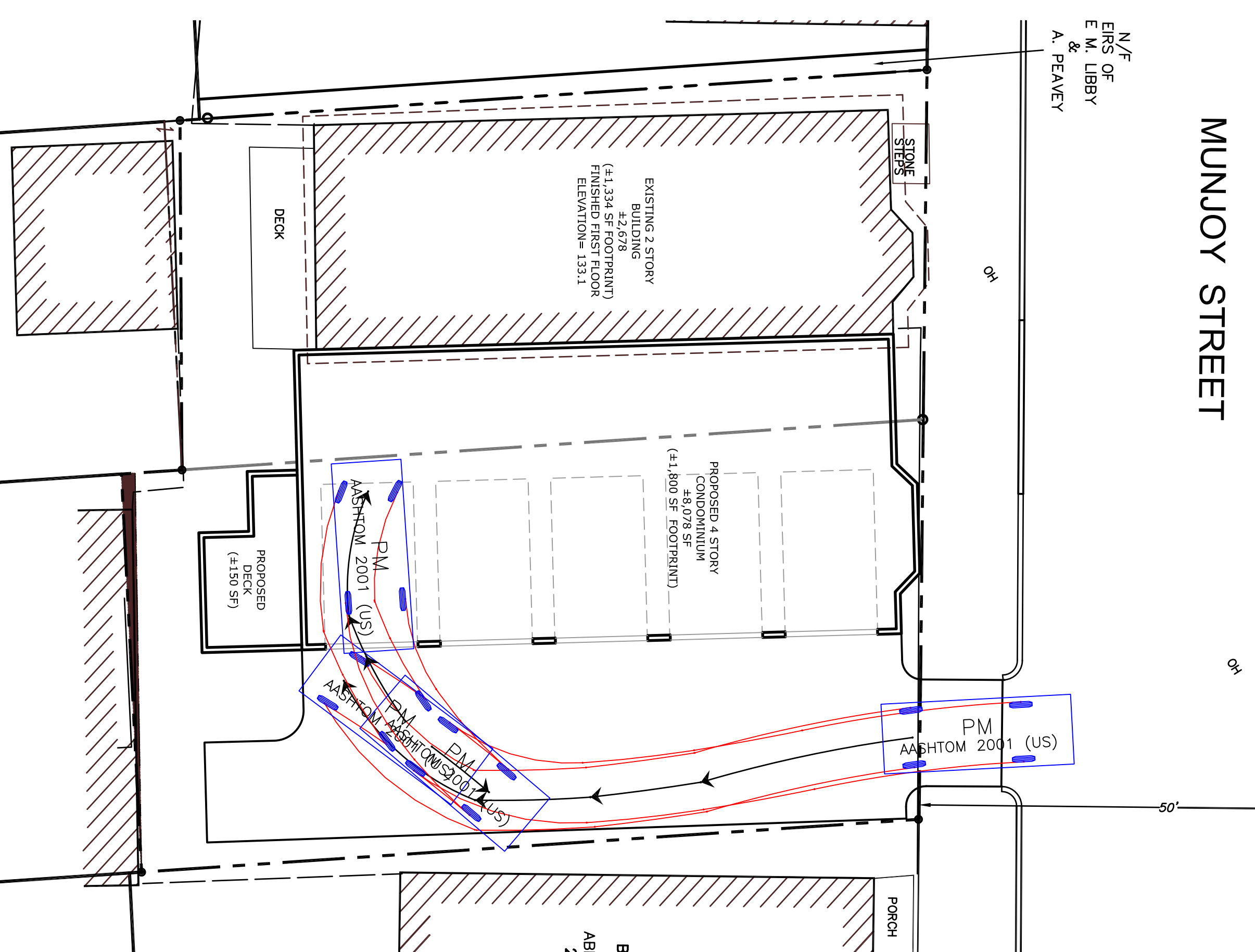
N/F
ERS OF
E. M. LIBBY
&
A. PEAVEY



PM feet
Width : 6.99
Track : 6.00
Lock to Lock Time : 6.0
Steering Angle : 31.6

MUNJOY STREET

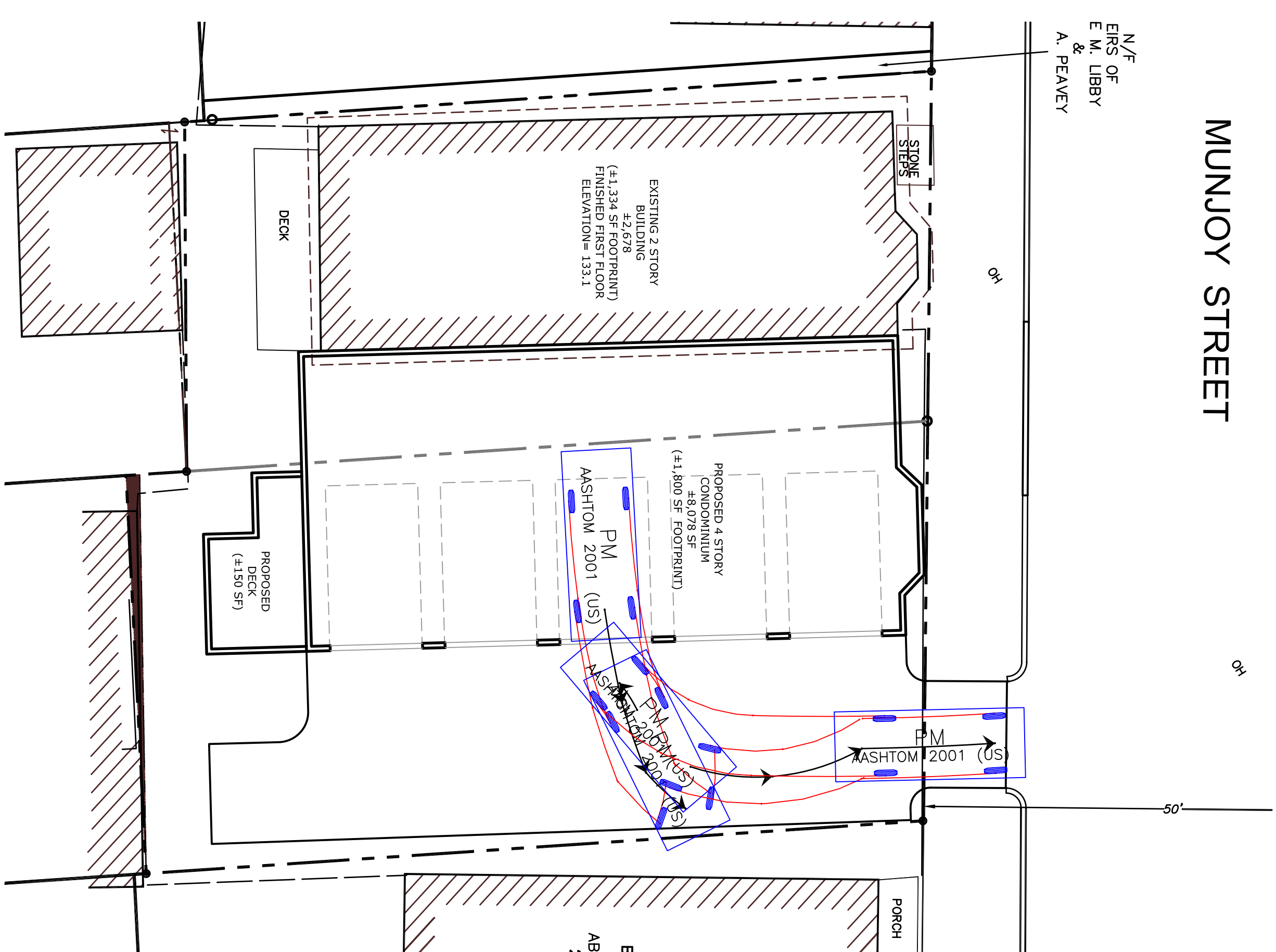
N/F
ERS OF
E. M. LIBBY
&
A. PEAVEY



PM feet
Width : 6.99
Track : 6.00
Lock to Lock Time : 6.0
Steering Angle : 31.6

MUNJOY STREET

N/F
ERS OF
E. M. LIBBY
&
A. PEAVEY



VERIFY SCALE
BAR IS 1 INCH ON ORIGINAL DRAWING
IF NOT ONE INCH ON SCALE, ACCORDINGLY

July 20, 2015

72 Munjoy Street Condos
Portland, Maine
Peninsula Property Development

MARK	DATE	DESCRIPTION
PROJECT NO:	P-0705	
DATE:	2015/06/16	
FILE:	P0705-SITE-CAR.dwg	
DRAWN BY:	GMH	
CHECKED:	WJD	
APPROVED:	GMH	

CAR TURNING EXHIBIT

SCALE:

1 OF 1