

**JOB NO**  
1910978

**MODEL NUMBER**  
SC-311110FP

**JOB NAME**  
90 Congress St r3

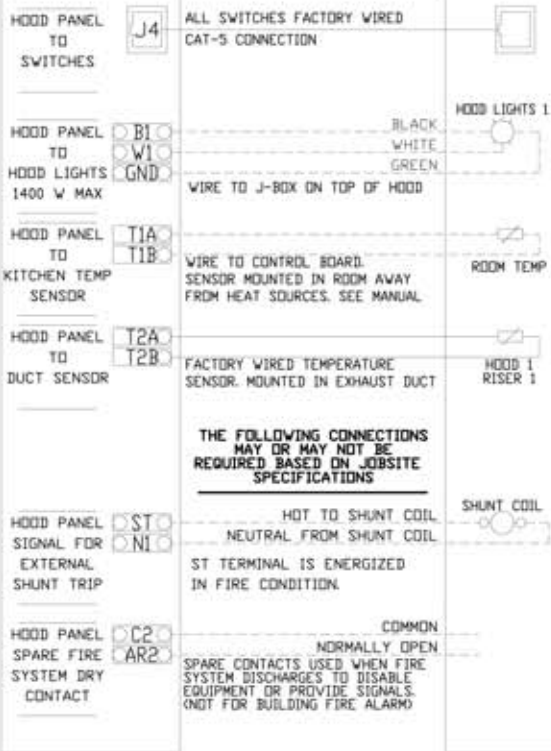
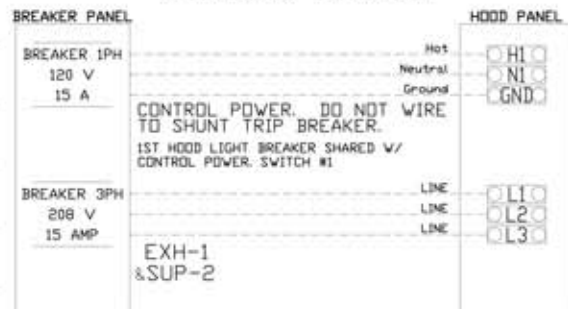
**DRAWN BY**  
INSTALL

**DATE** 11/26/2013  
**DWG NO** ECP #1-1

**DESCRIPTION OF OPERATION**  
3 Phase w/ 1 Exhaust Fan, 1 Supply Fan, Exhaust on in Fire, Lights out in Fire, Fans Dr/Off Thermostatically Controlled. Room temperature sensor shipped loose for field installation.

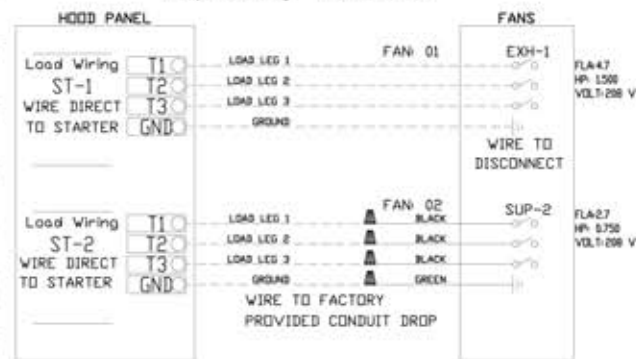
**BREAKER PANEL TO HOOD CONTROL PANEL**

Responsibility: Electrician



**HOOD CONTROL PANEL TO FANS / MUA**

Responsibility: Electrician



**HOOD CONTROL PANEL TO ACCESSORY ITEMS**

Responsibility: Electrician

