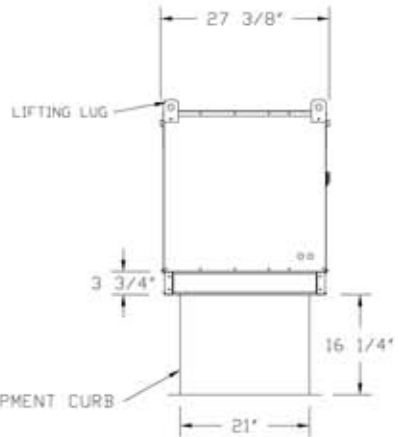
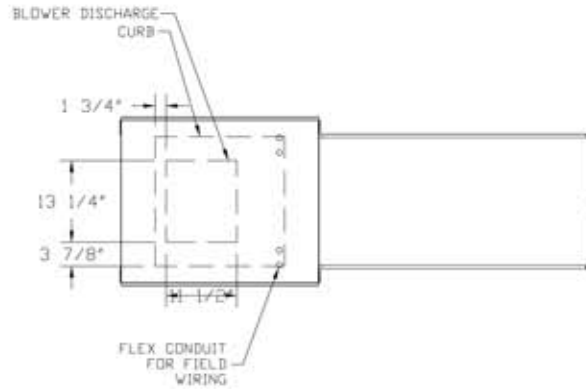
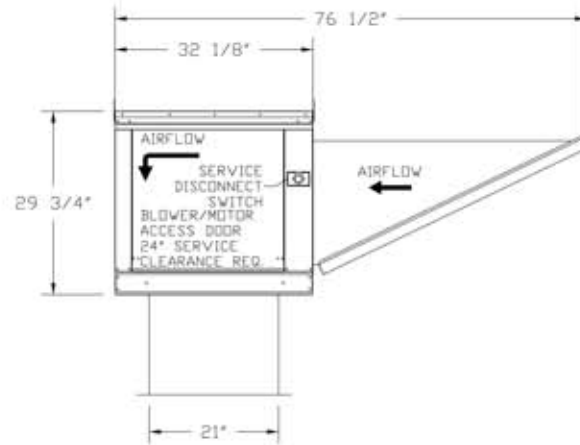


FAN #2 A1-G10 - SUPPLY FAN

1. UNTEMPERED SUPPLY UNIT WITH 10" BLOWER IN SIZE #1 HOUSING
2. INTAKE HOOD WITH EZ FILTERS
3. DOWN DISCHARGE - AIR FLOW RIGHT -> LEFT
4. GRAVITY BACK DRAFT DAMPER, 16" WIDE X 18" HIGH, STANDARD GALVANIZED CONSTRUCTION, 1 1/4" REAR FLANGE, FOR SIZE #1 UNTEMPERED FAN HOUSING (5181)
5. FULL CRATING FOR UNTEMPERED FANS FOR SHIPPING.



ROOF OPENING 2" SMALLER THAN CURB DIMENSION.



CUSTOMER APPROVAL TO MANUFACTURE:

Approved as Noted

Approved with NO Exception Taken

Revise and Resubmit

SIGNATURE _____

Your Title _____ Date _____



CAPTIVEAIRE

JOB 90 Congress St r3	
LOCATION PORTLAND, ME	
DATE 11/26/2013	JOB # 1910978
DWG # 4	DRAWN BY BFC-21
REV.	SCALE 3/8" = 1'-0"