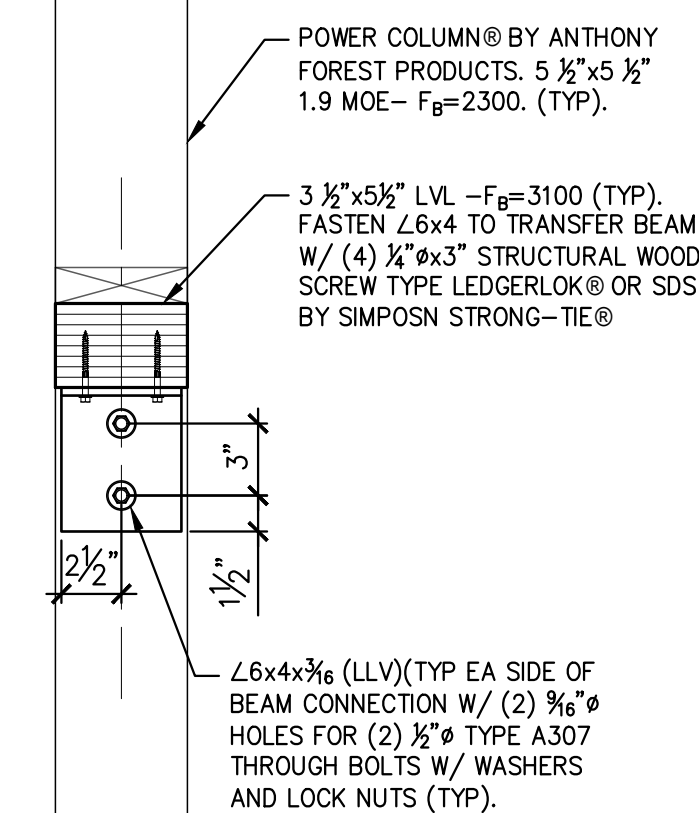
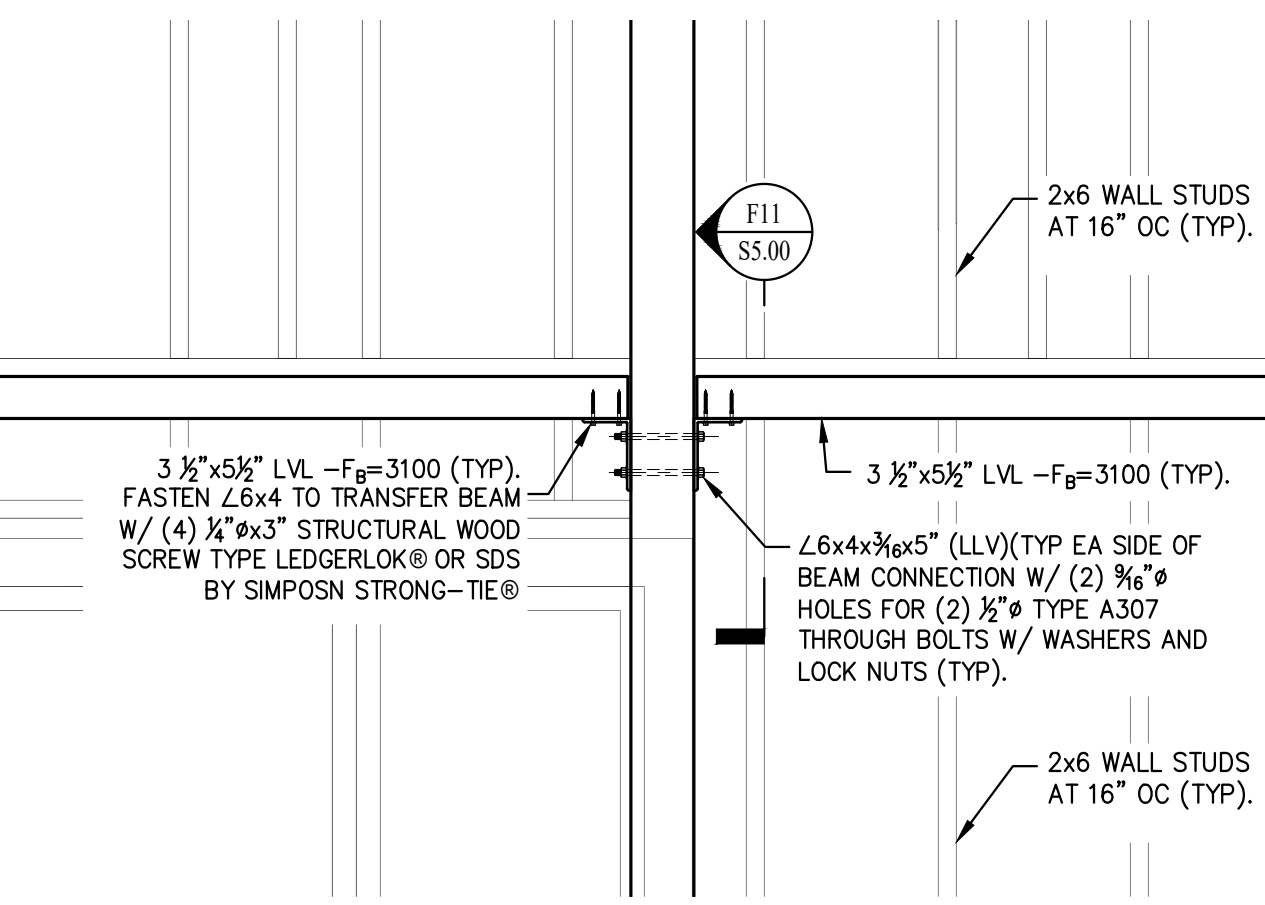
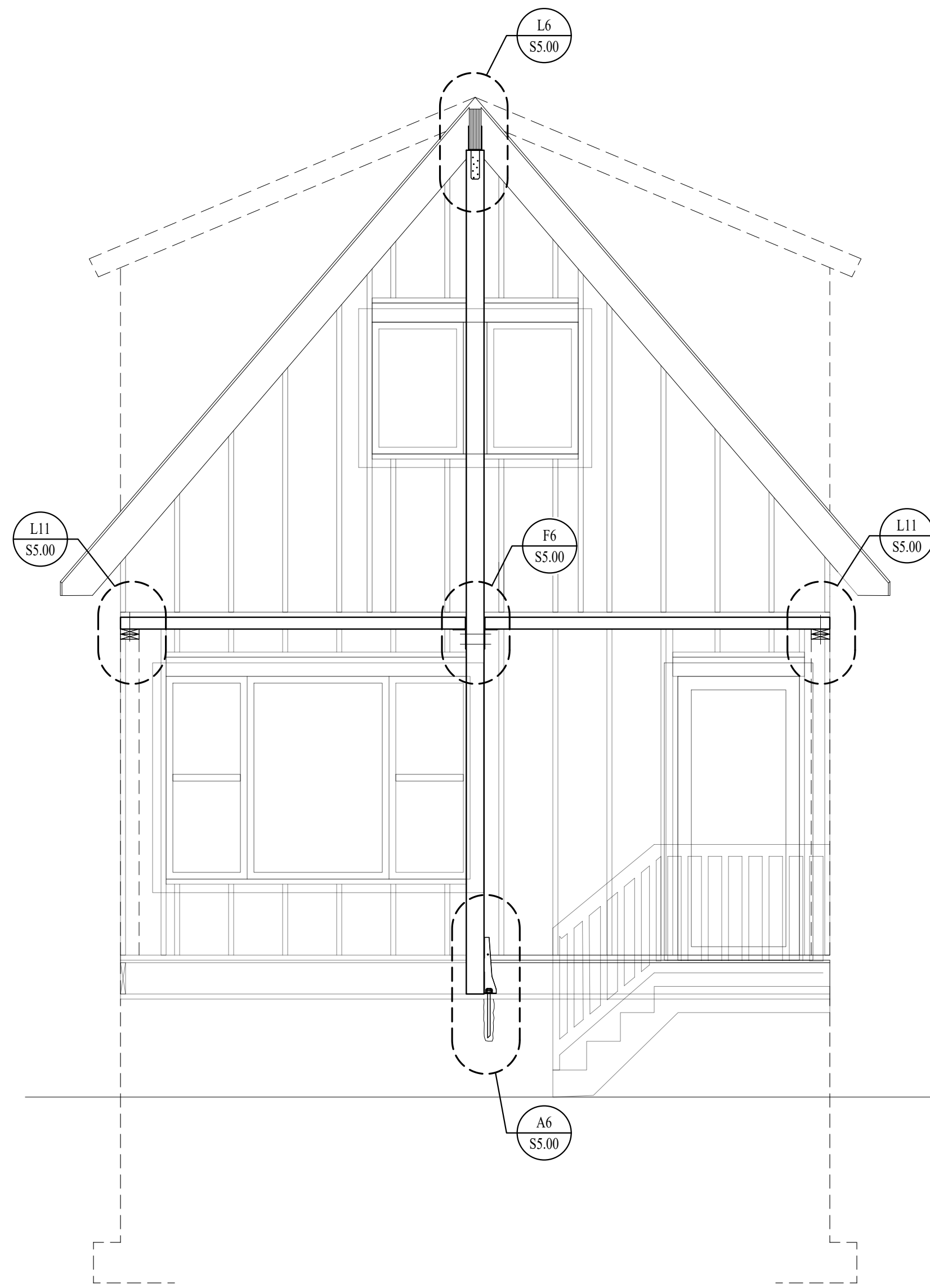


L1
3/4" = 1'-0"
TYPICAL RAFTER CONN DETAIL

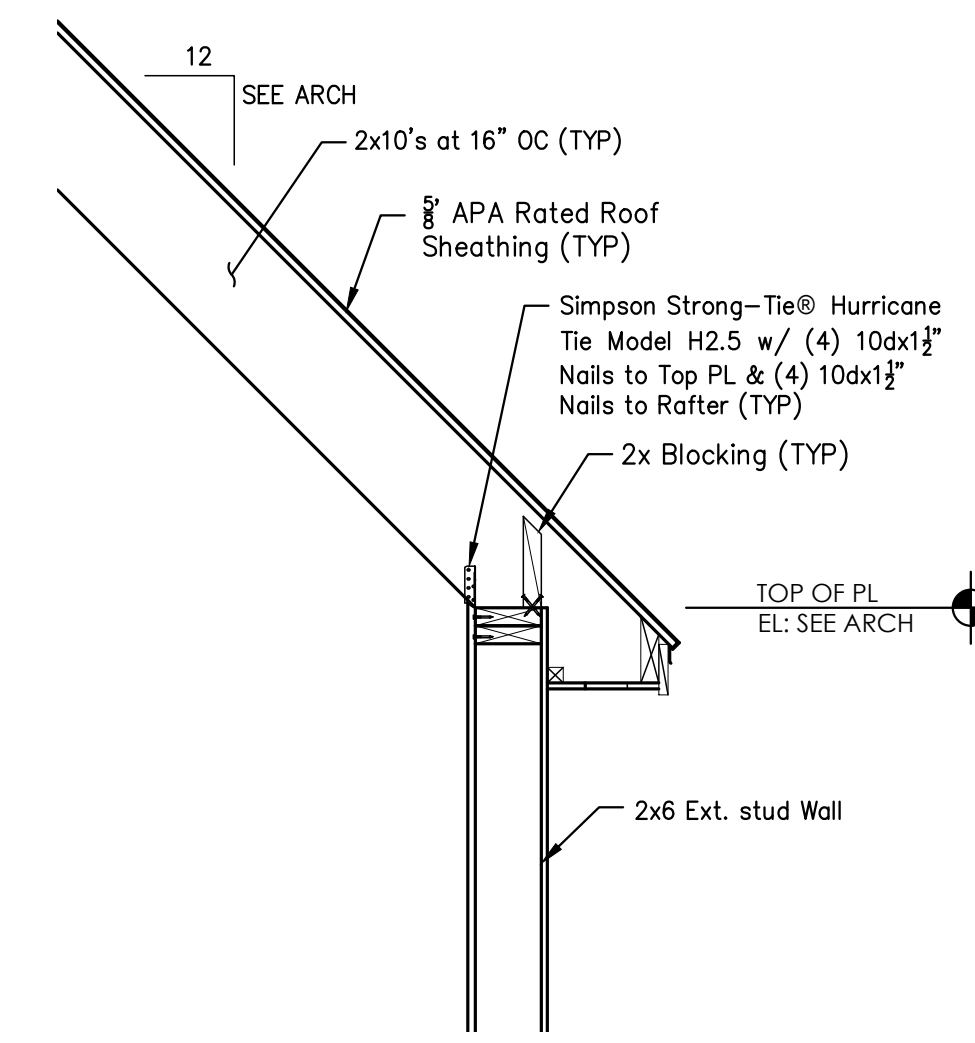
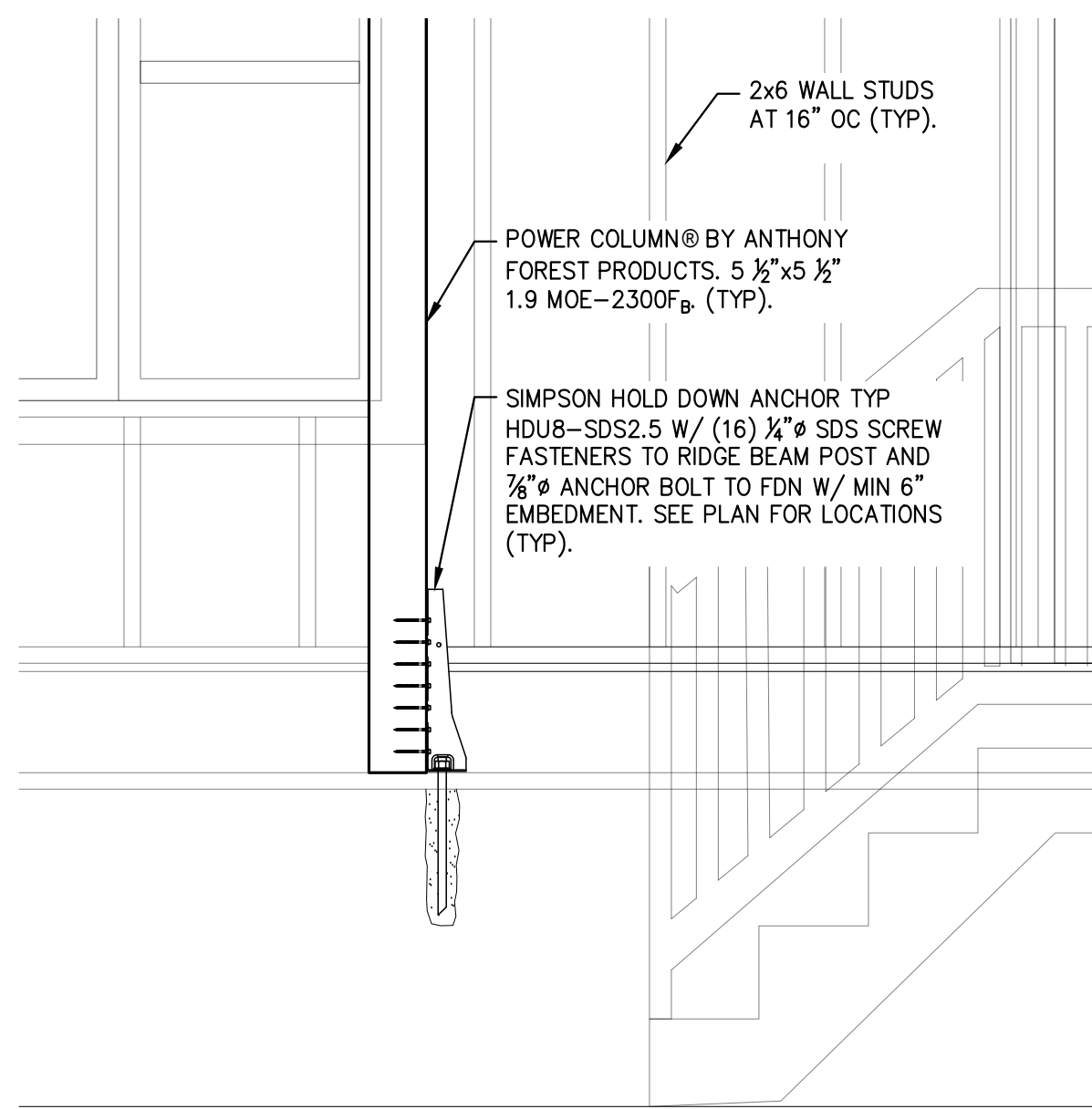
L6
3/4" = 1'-0"
TYPICAL RIDGE BEAM CONN DETAIL

L11
3/4" = 1'-0"
TYPICAL WALL PLATE/BEAM CONN DETAIL



F6
3/4" = 1'-0"
TYPICAL BEAM/POST CONN DETAIL

F11
1-1/2" = 1'-0"
TYPICAL BEAM CONN DETAIL



A6
3/4" = 1'-0"
TYPICAL POST BASE CONN DETAIL

A11
3/4" = 1'-0"
TYPICAL RAFTER CONN DETAIL

A1
3/4" = 1'-0"
SOUTHEAST BUILDING ELEVATION

Downeast Structural Consultants LLC
5 Oak Street, Cumberland, Maine 04021
Office 207.829.8015 Mobile 207.650.3093
Email: cray@downeaststructural.com

OWNER:
LIV CHASE
PORTLAND, ME

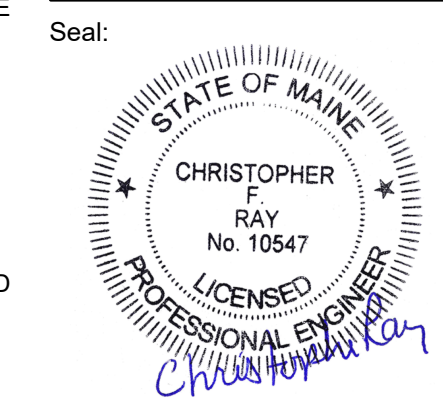
ARCHITECT/DESIGNER:
ROCKWOOD DESIGN STUDIO
MOUNT DESERT, ME

PREPARED FOR:
LIV CHASE
PORTLAND, ME

Project:
Proposed Single Family Residence
5 MONUMENT STREET
PORTLAND, MAINE

REVISIONS:

No.	Description	Date



CURRENT ISSUE STATUS:
SUBMITTED FOR APPROVAL
Date: 11/28/2017

Drawing Title:
BUILDING SECTION AND DETAILS

Project No: 17170
Date: 11/17/2017
Drawn by: CFR
Checked by: CFR

Drawing Number:
S5.00

Scale: As Noted
3 OF 4