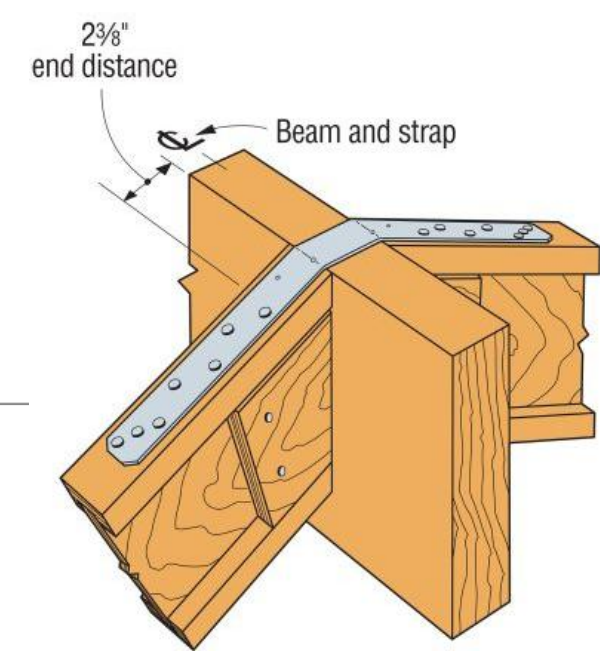
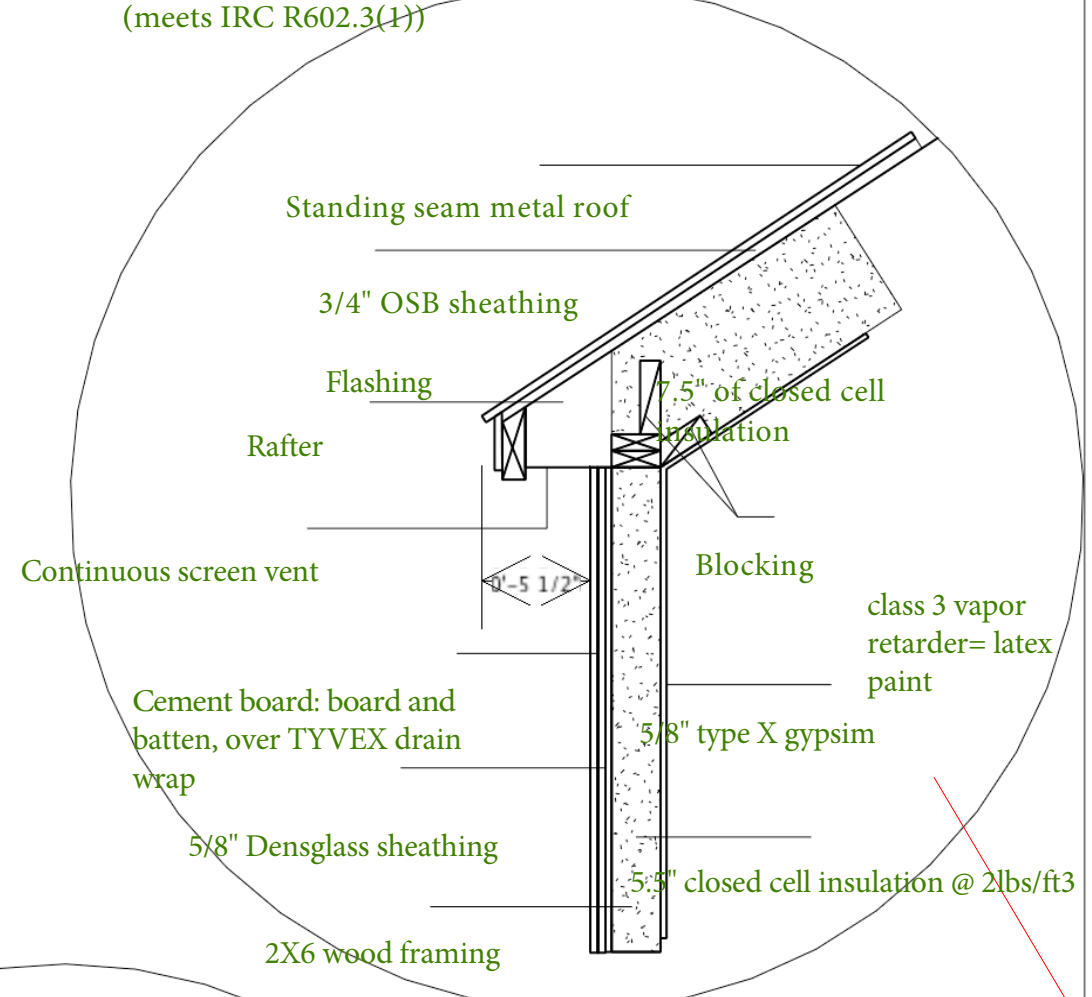


8" FOUNDATION DETAIL
Scale: 3/4"=1"

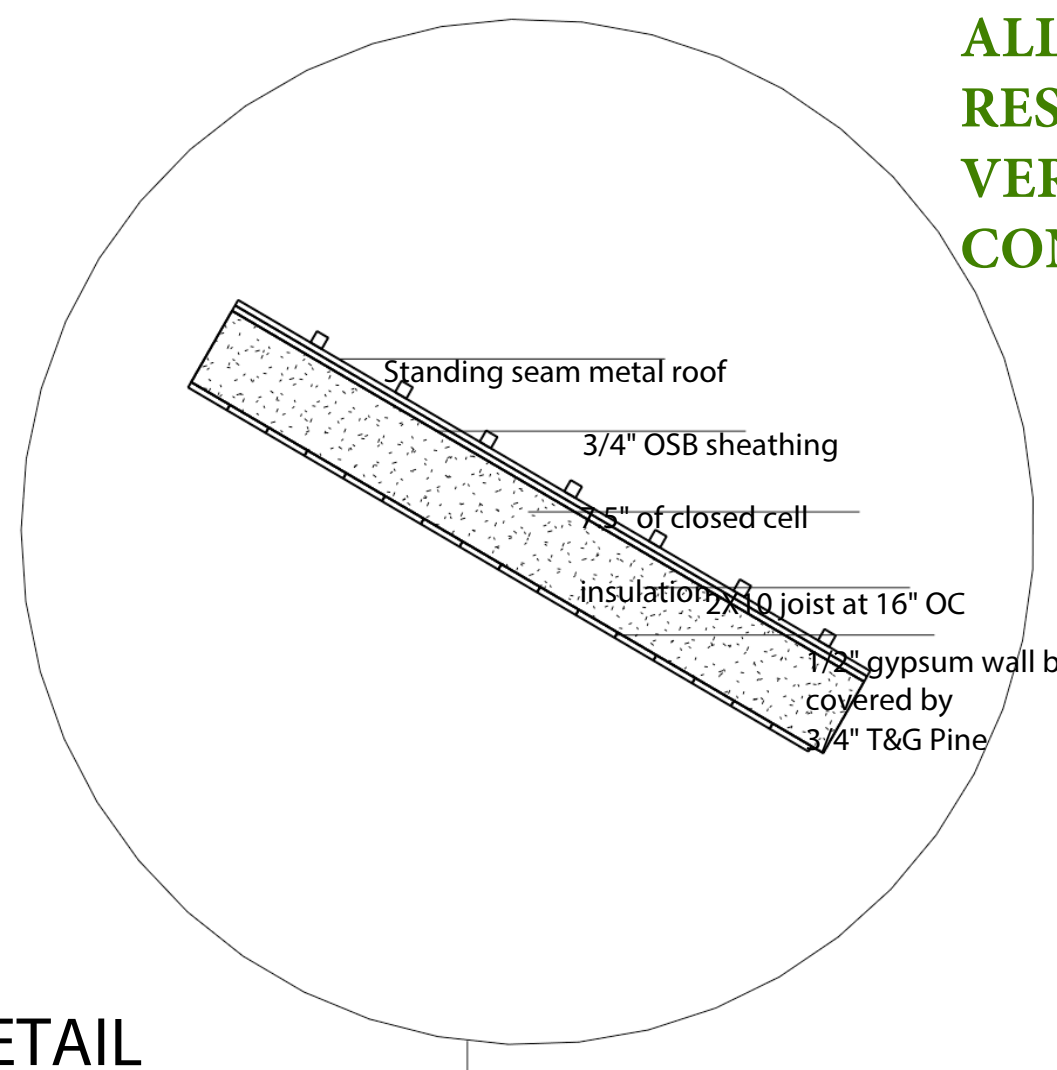
Please show interior footing detail
SEE ADDED DETAIL BELOW.



Simpson LSTA Strap Ties
(meets IRC R602.3(4))



ROOF DETAIL
1/2" = 1'-0"

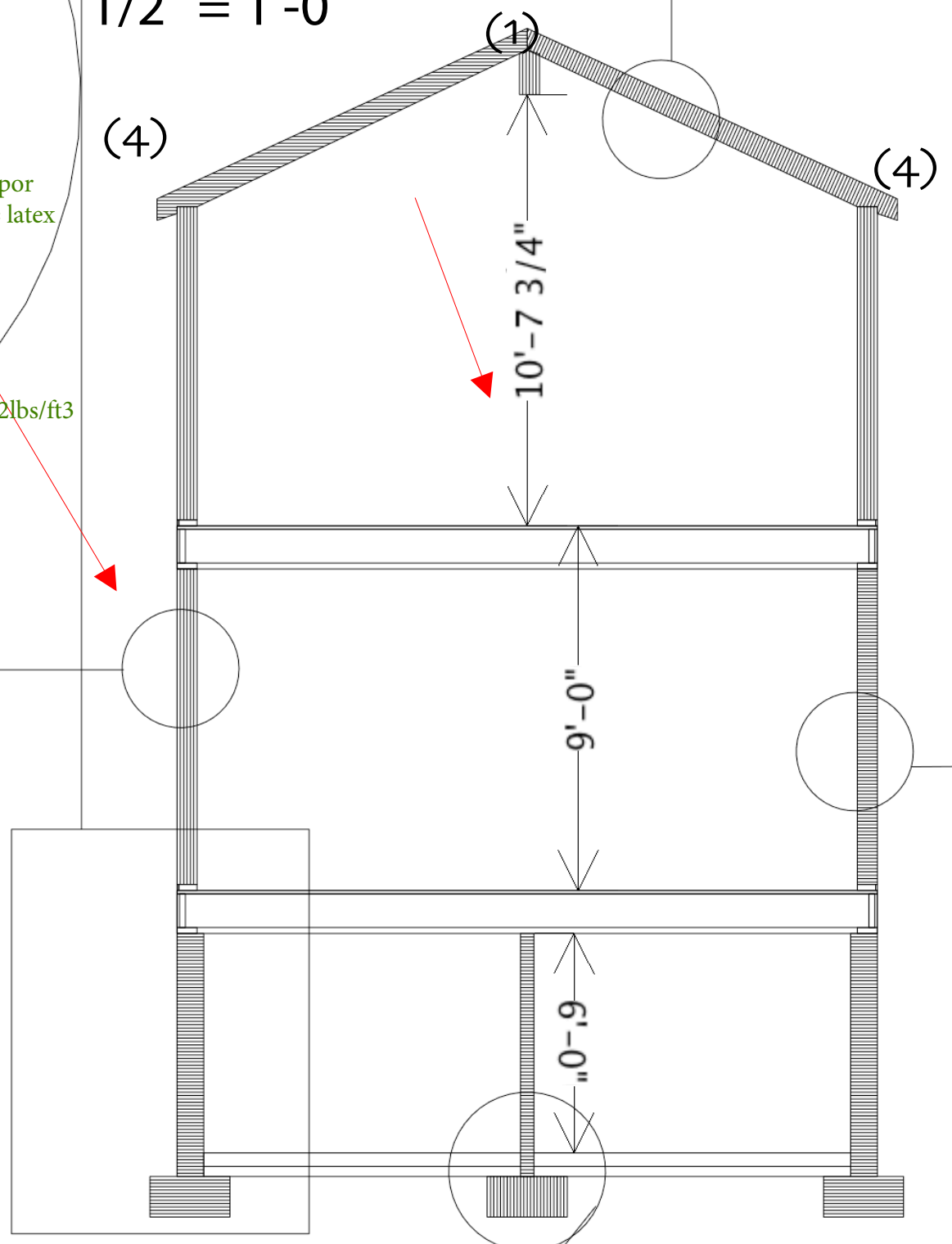


ALL CONSTRUCTION TO MEET INTERNATIONAL RESIDENTIAL CODE. IF NOT SPECIFICALLY NOTED, VERIFICATION WILL BE MADE IN THE FIELD BY CONTRACTOR.

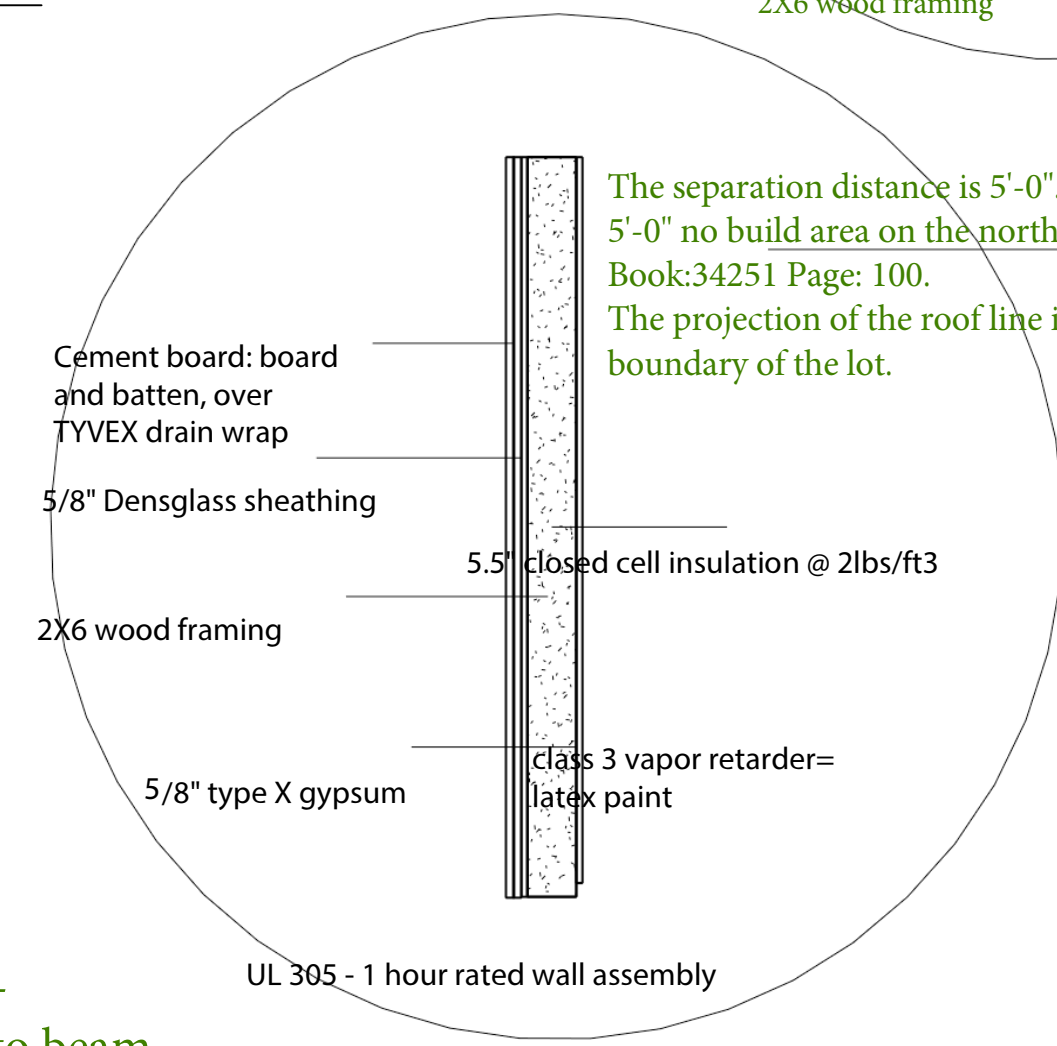
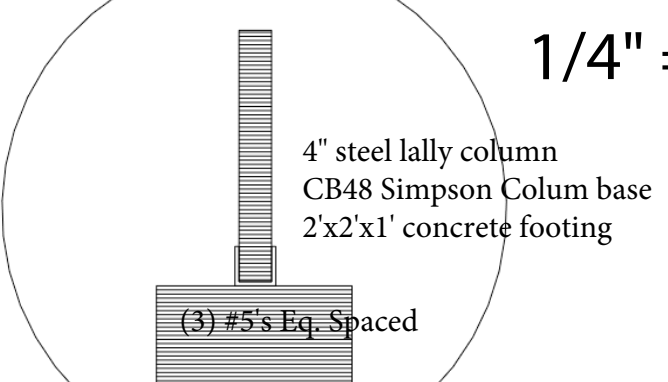
Structural Notes:
CONNECTIONS

- (1) Ridge Beam to Rafters: LSS210- Simpson Strong Tie
- (2) Column to Ridge Beam: EPC6Z- Post Cap by Simpson
- (3) Center Column to Ridge Beam: Custom CCCQ Hanger
- (4) Wall to Roof: H2.5A- Simpson Hurricane Tie

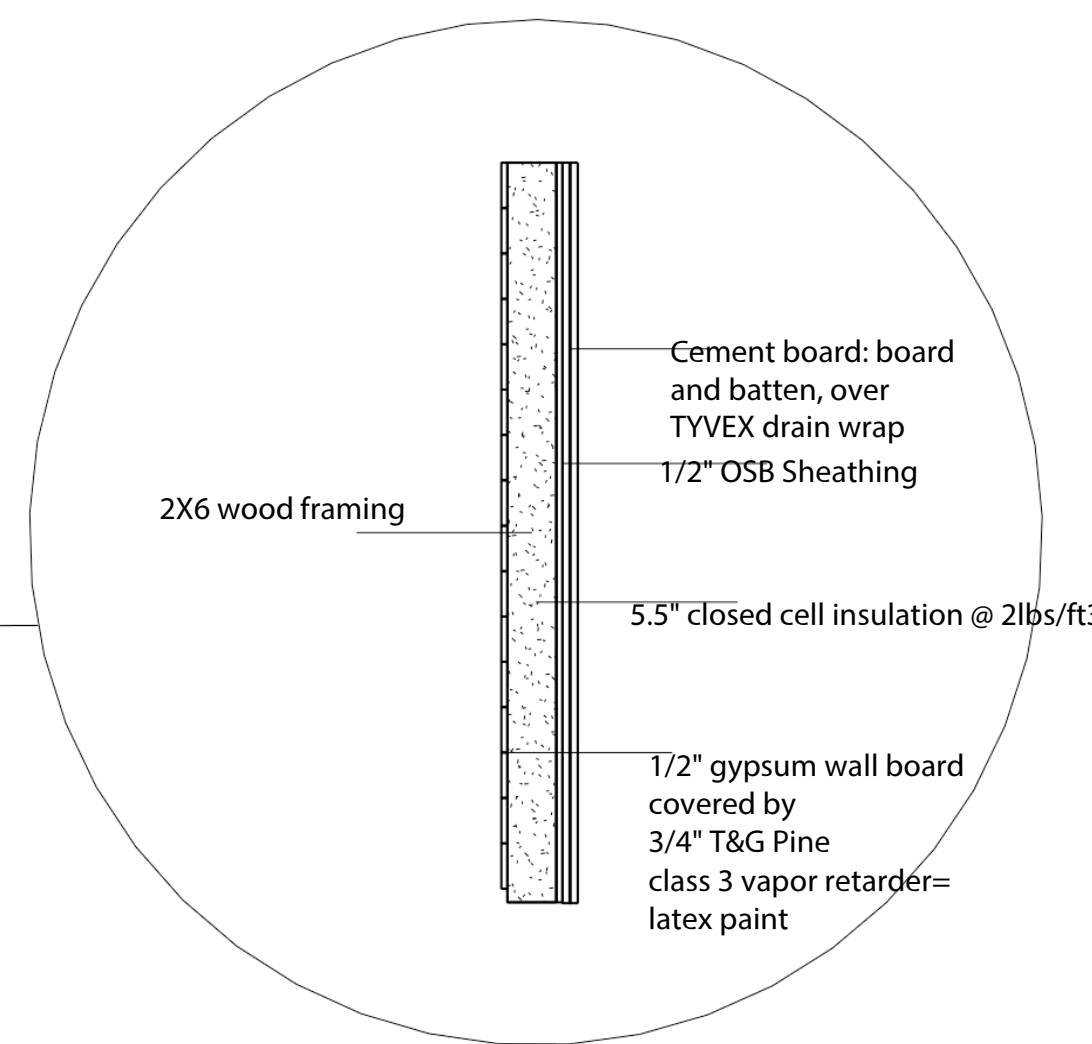
All door/window headers (3) 2x6
All door/window jack studs (2) 2x6 on both sides of opening
Full depth horizontal blocking every 4'-0"
for all exterior walls.
Continuous sheathing also provides additional bracing.



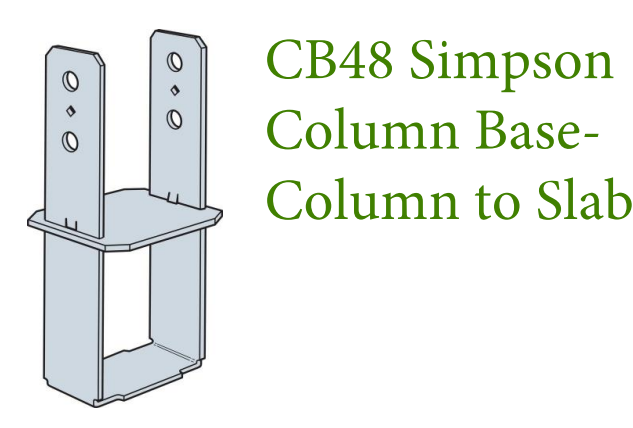
SECTION A
1/4" = 1'-0"



UL 305 - 1 hour rated wall assembly



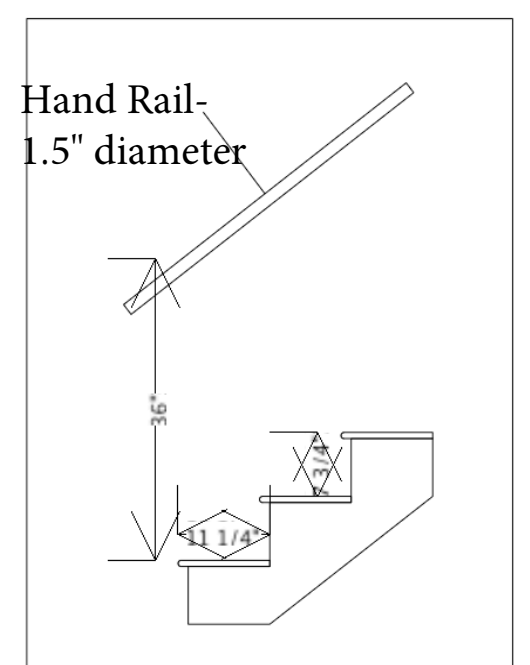
WALL DETAIL
1/2" = 1'-0"



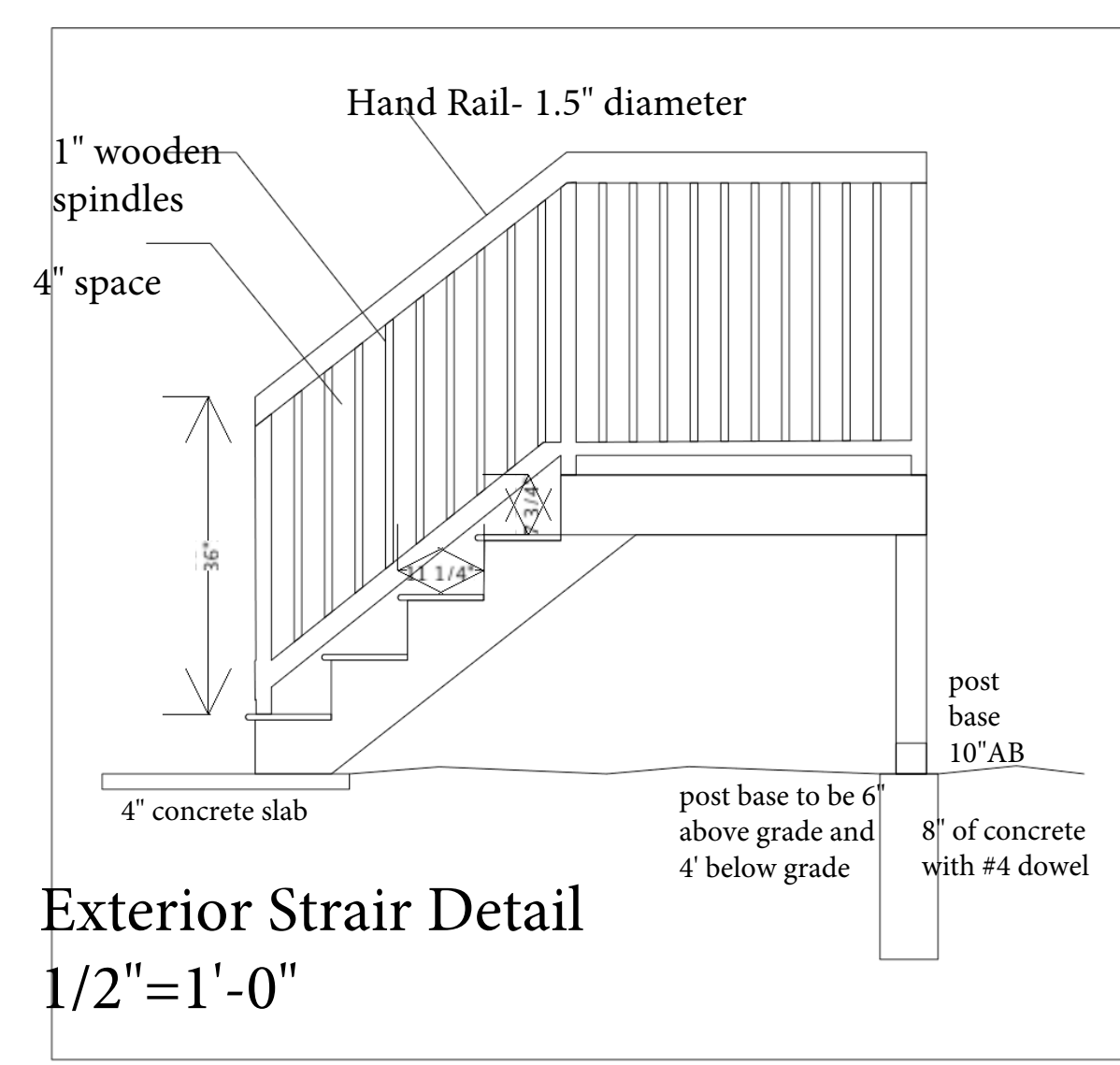
CB48 Simpson Column Base- Column to Slab



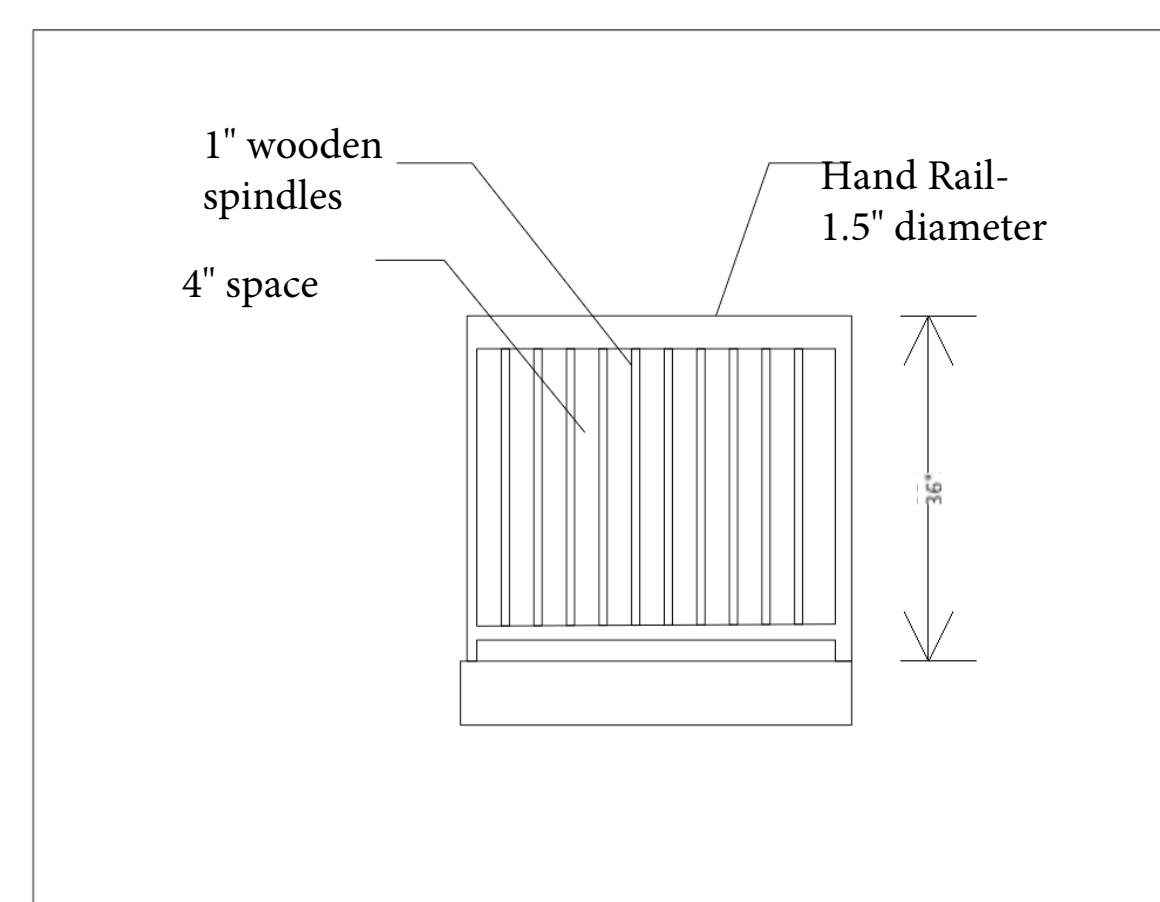
CCQ4 Simpson Column Cap- for connection from column to beam and column to basement girder.



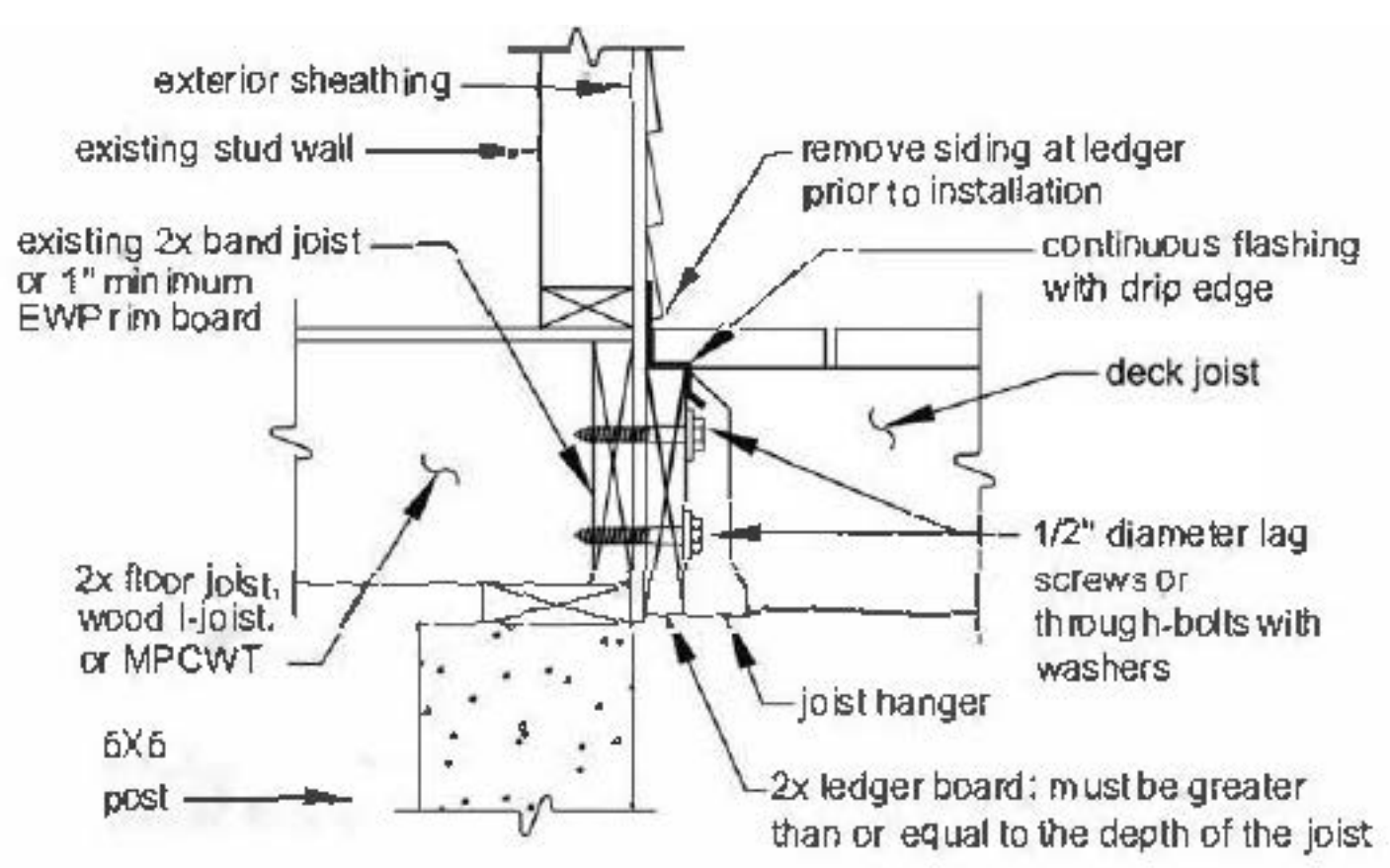
Interior Stair Detail
1/2"=1'-0"



Exterior Stair Detail
1/2"=1'-0"



Exterior Deck Detail
1/4"=1'-0"



House to Deck Connection- typical
Not to scale

New Single Family
A M E N D M E N T
5 Monument Street Portland, Maine

Rockwood Design Studio
PO Box 520
Mount Desert, ME 04660
rockwooddesignstudio@gmail.com

Date: 10/24/17
Revised: 11/1/17

ST2