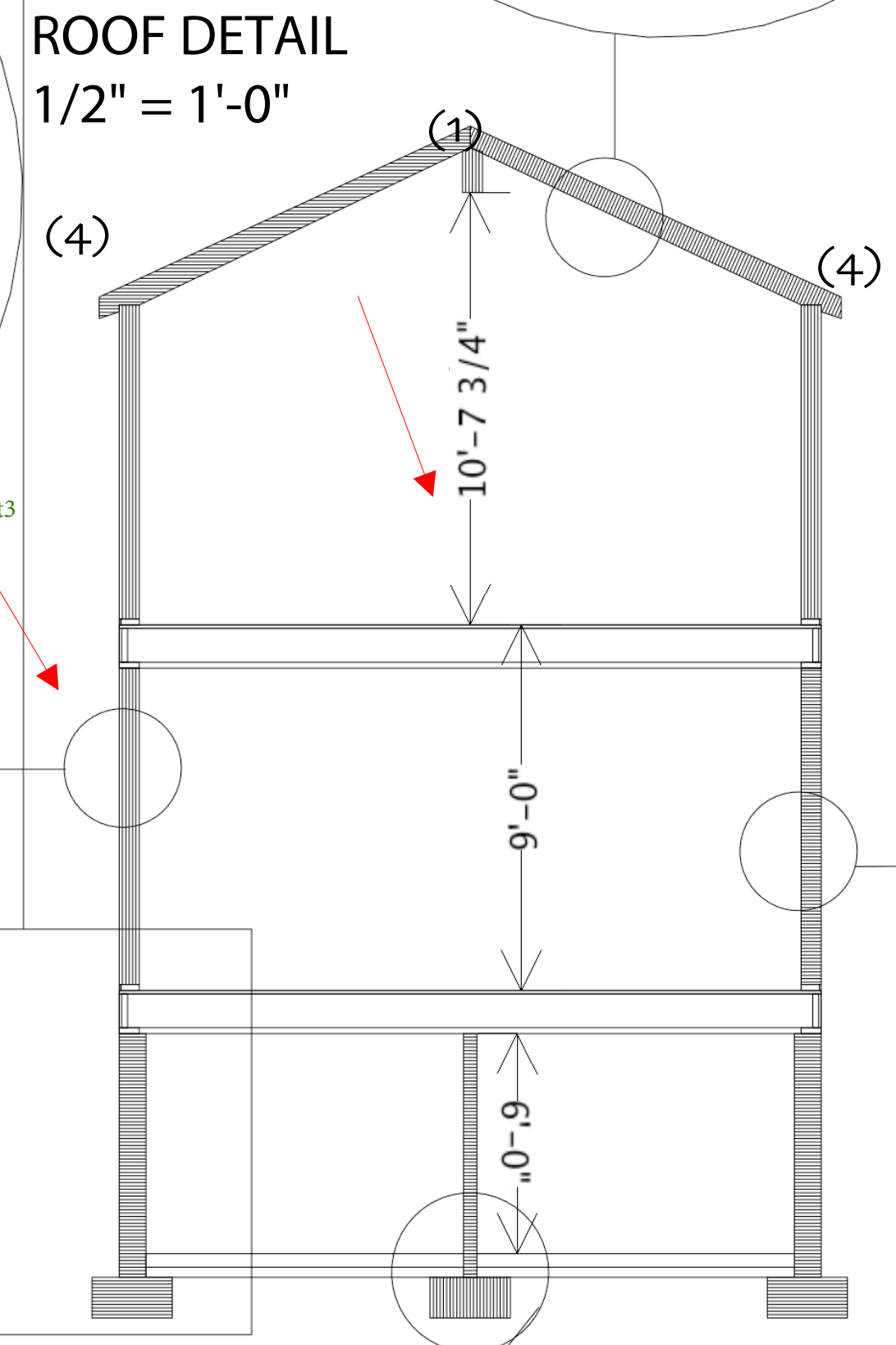
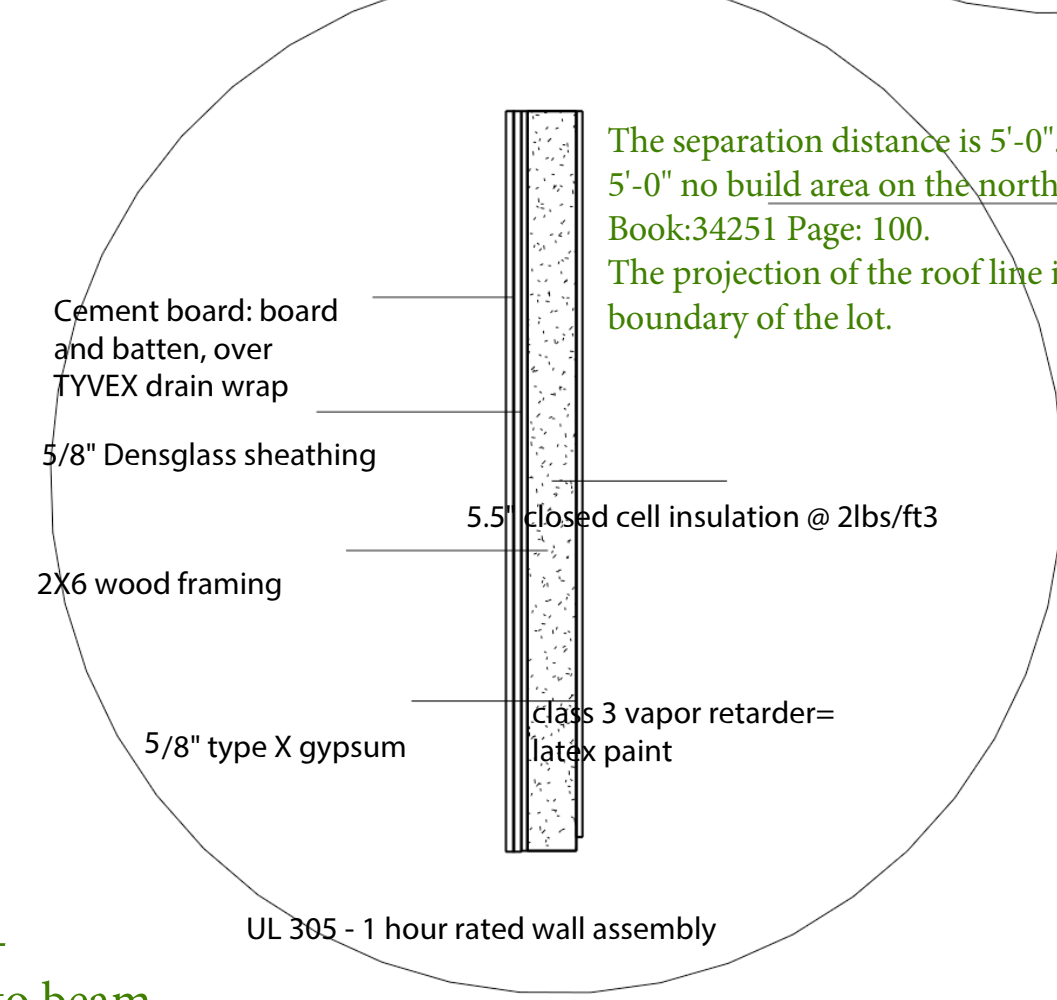
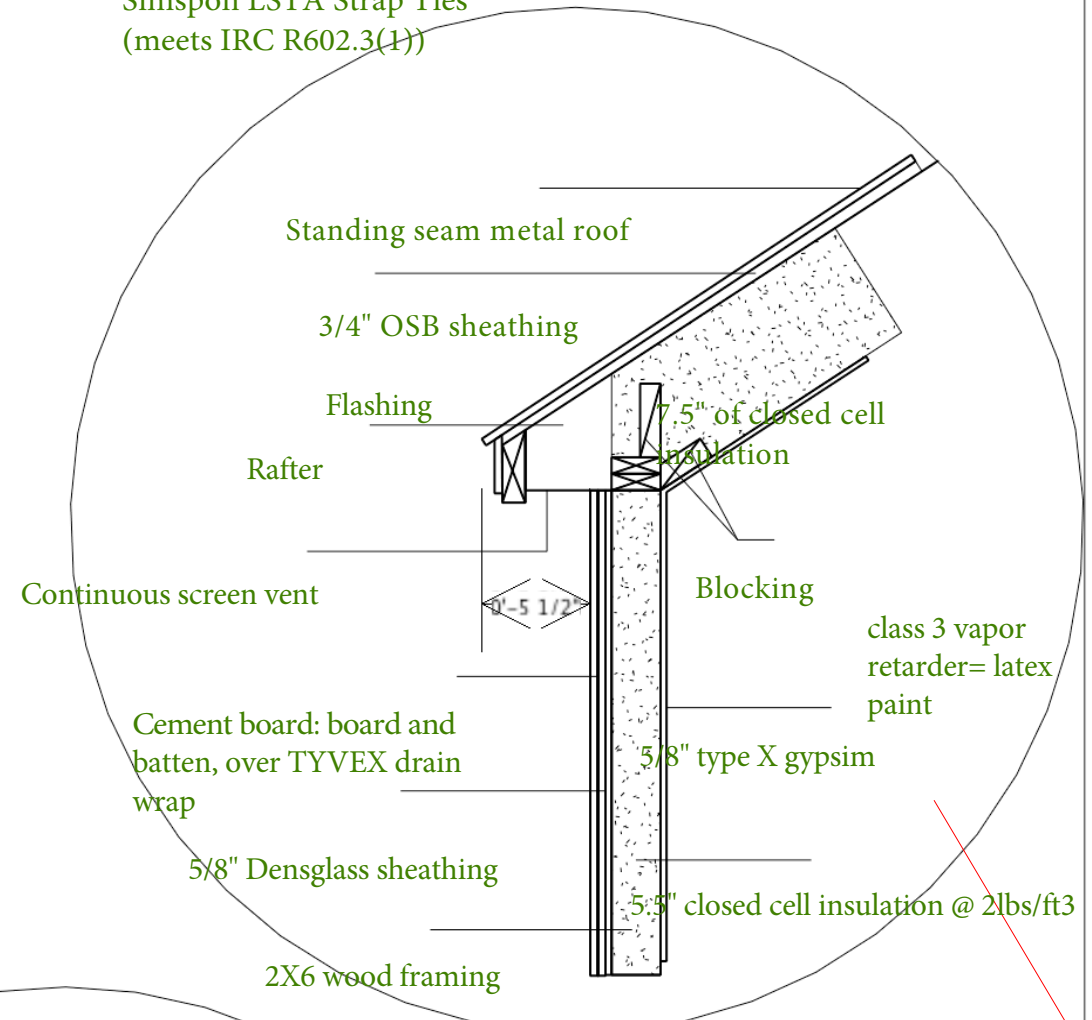
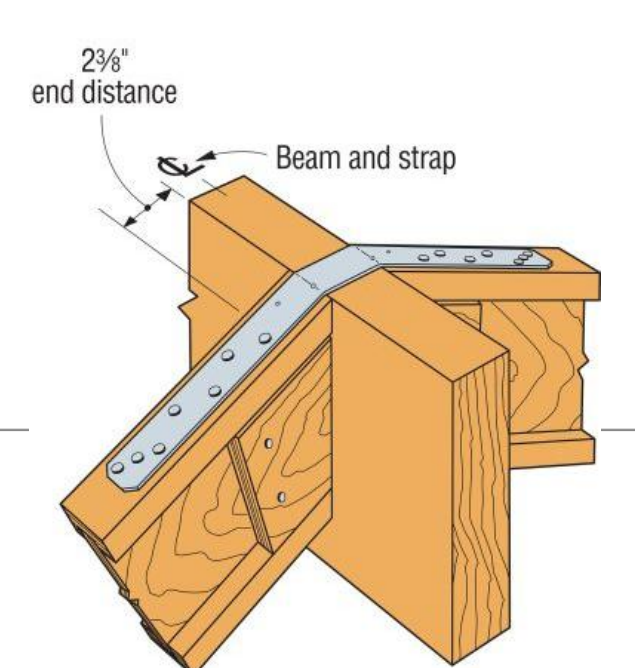


Please show interior footing detail  
SEE ADDED DETAIL BELOW.

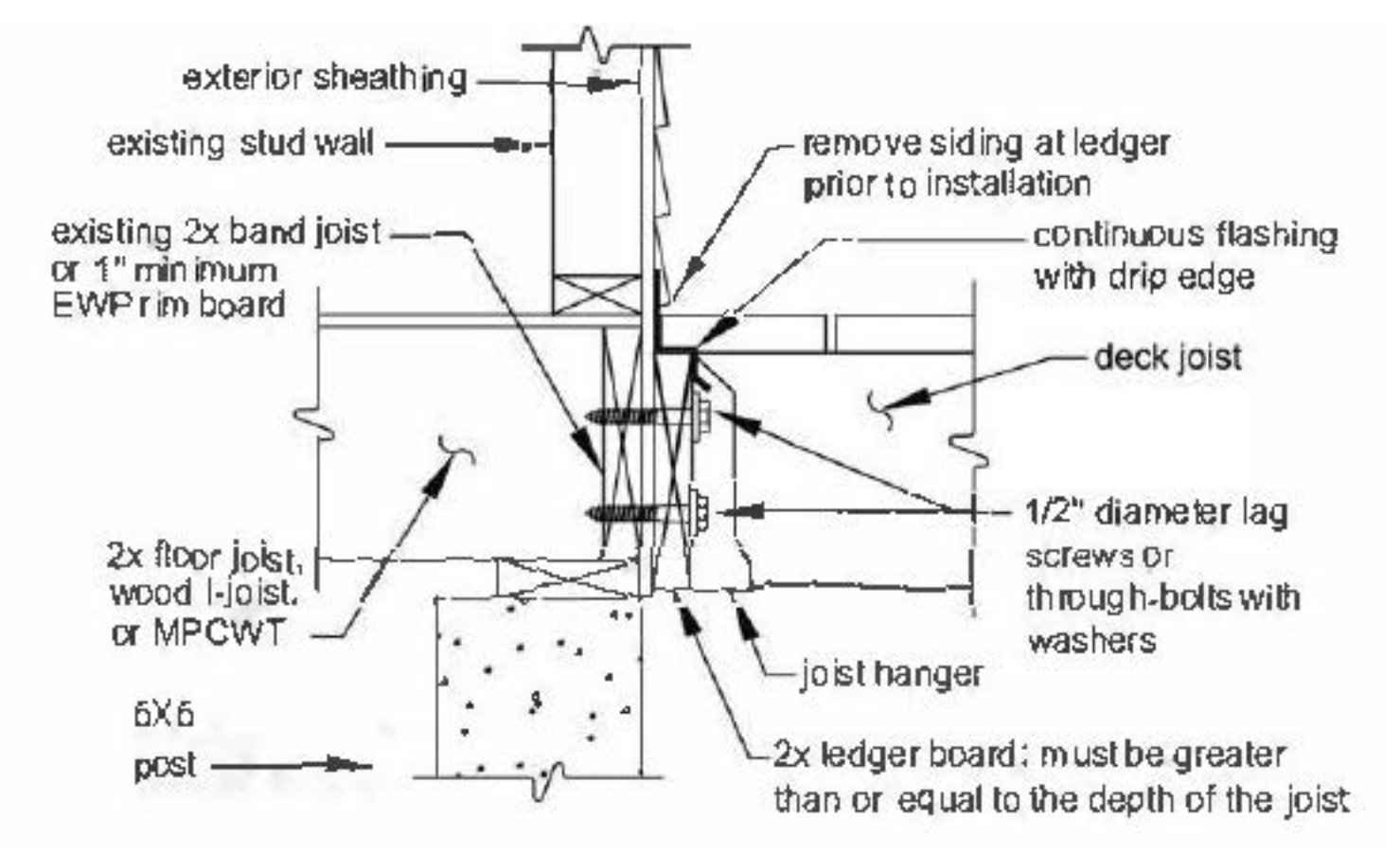
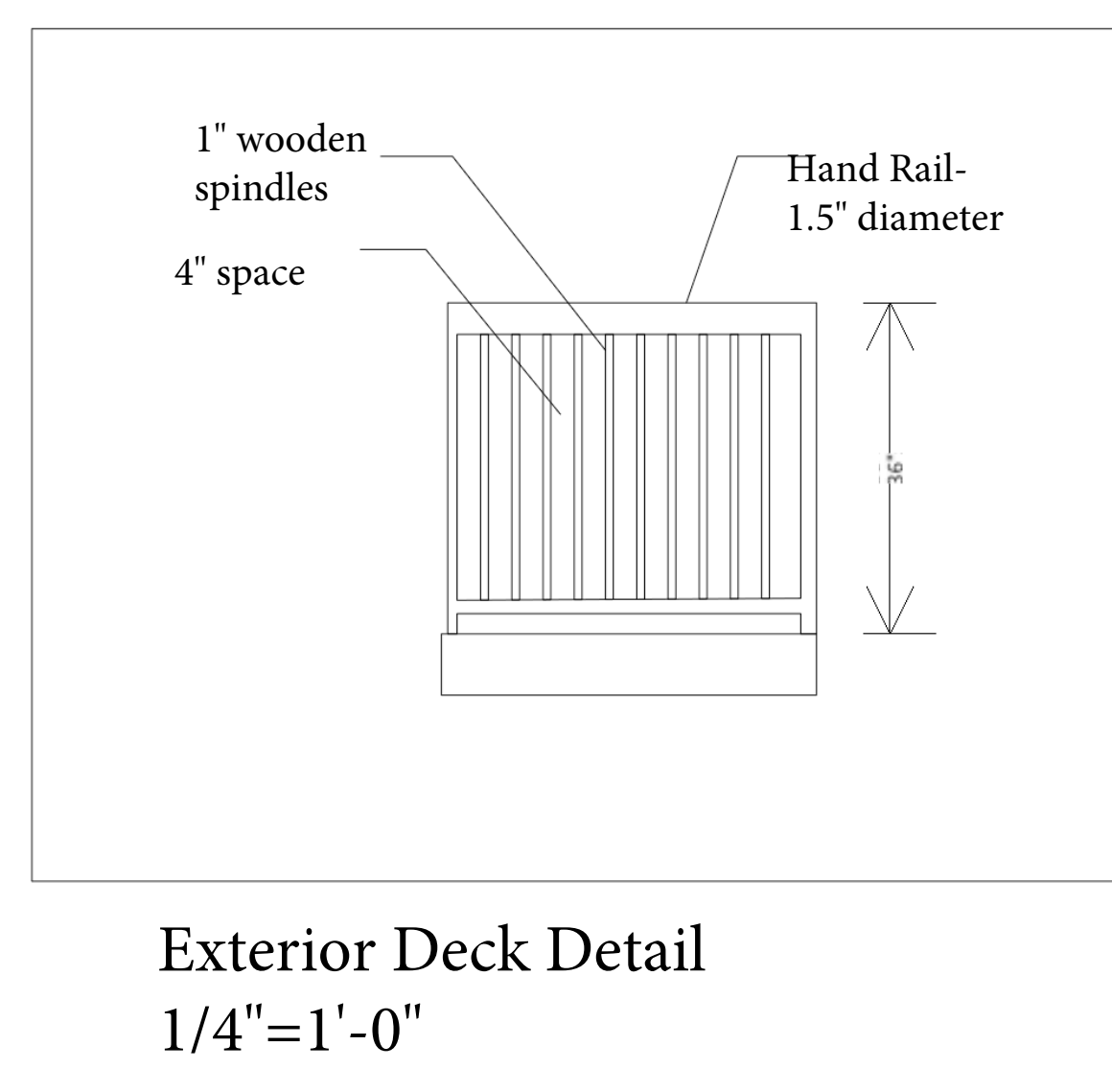
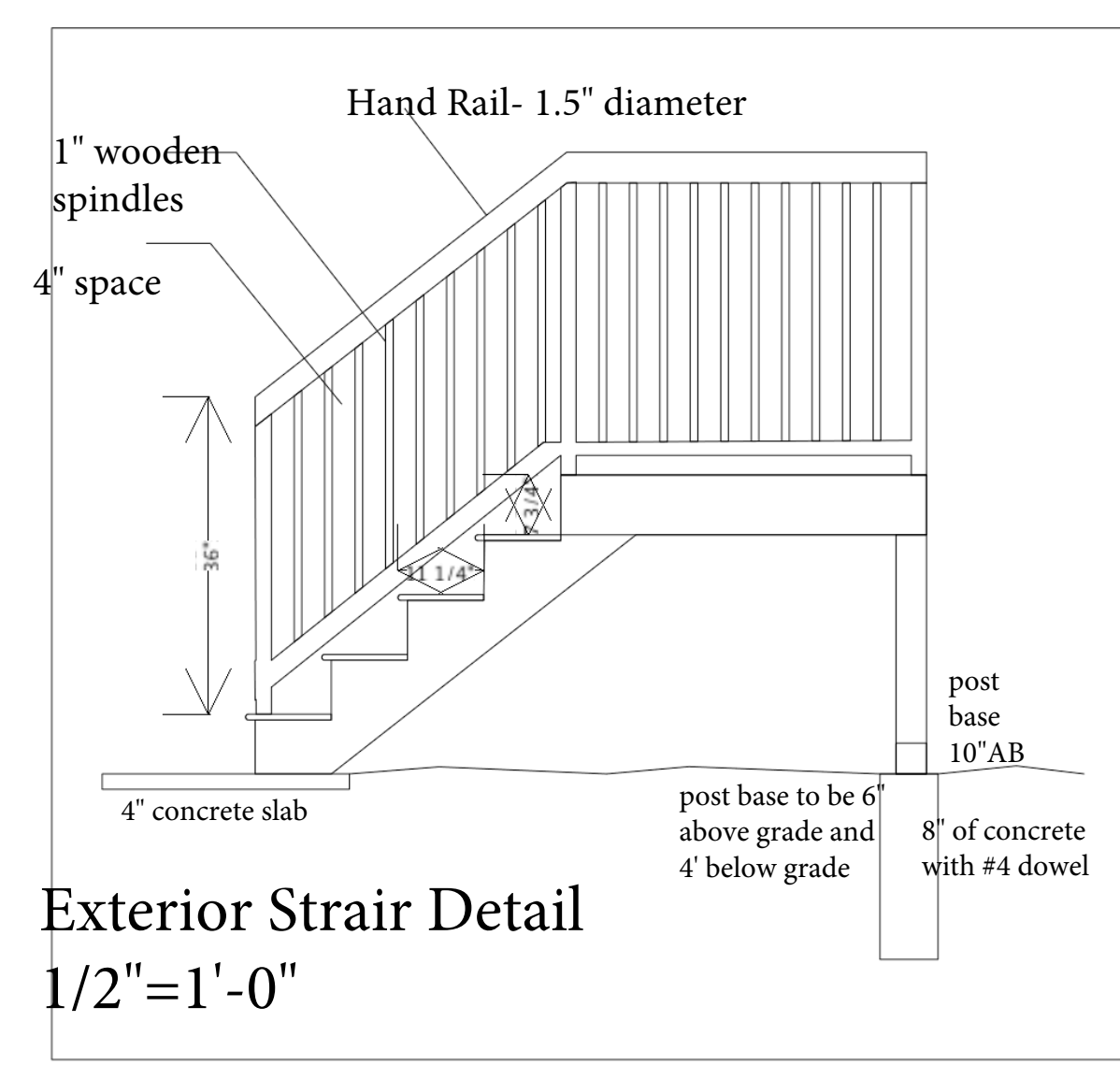
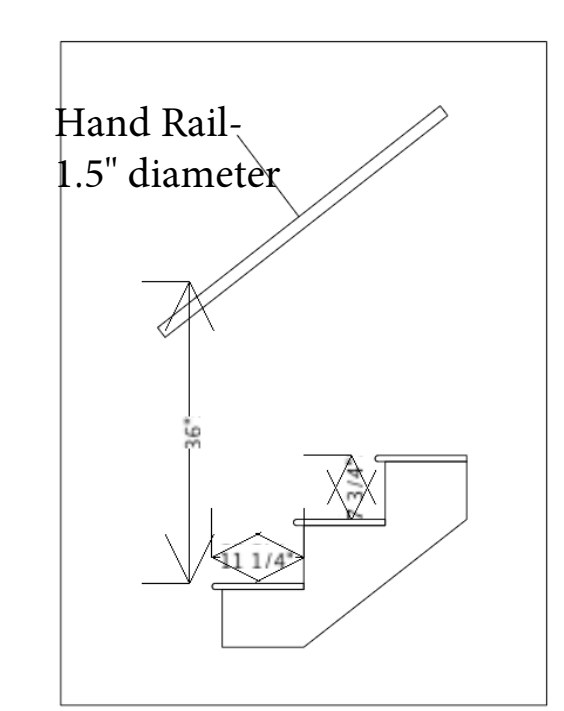
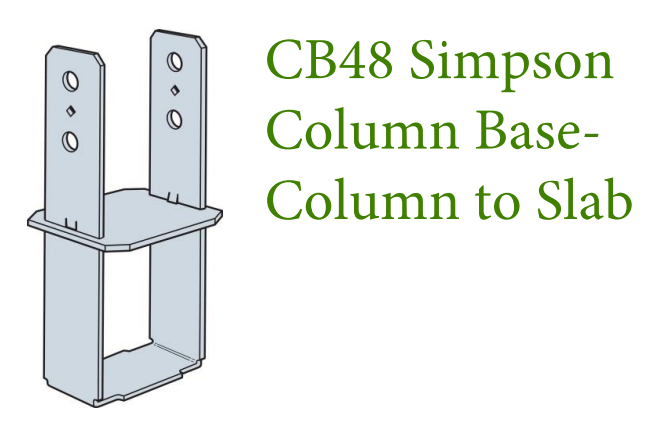
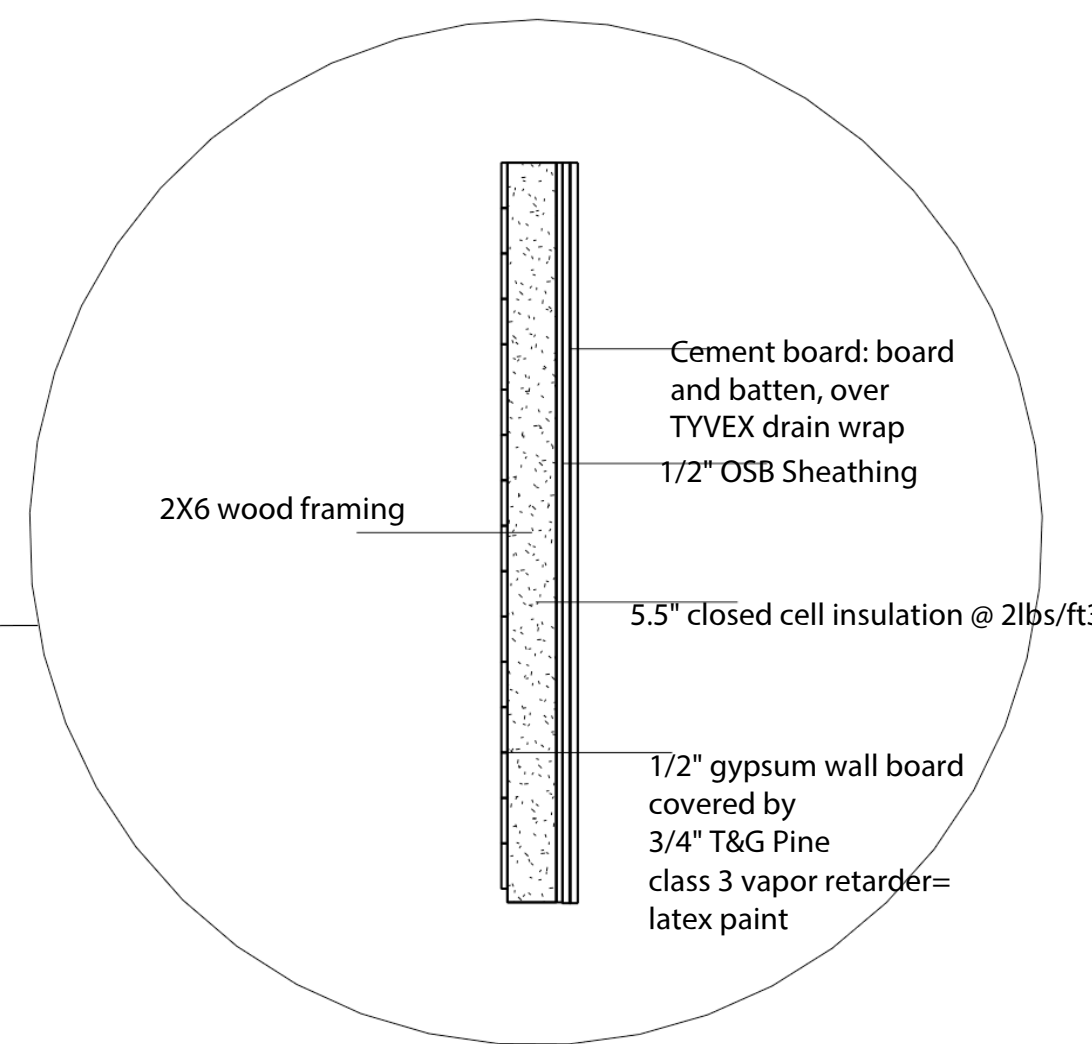


**ALL CONSTRUCTION TO MEET INTERNATIONAL RESIDENTIAL CODE. IF NOT SPECIFICALLY NOTED, VERIFICATION WILL BE MADE IN THE FIELD BY CONTRACTOR.**

Structural Notes:  
CONNECTIONS

- (1) Ridge Beam to Rafters: LSS210- Simpson Strong Tie
- (2) Column to Ridge Beam: EPC6Z- Post Cap by Simpson
- (3) Center Column to Ridge Beam: Custom CCCQ Hanger
- (4) Wall to Roof: H2.5A- Simpson Hurricane Tie

All door/window headers (3) 2x6  
All door/window jack studs (2) 2x6  
Full depth horizontal blocking every 4'-0"  
for all exterior walls.  
Continuous sheathing also provides additional bracing.



**New Single Family**  
A M E N D M E N T

5 Monument Street Portland, Maine

Rockwood Design Studio  
PO Box 520  
Mount Desert, ME 04660  
rockwooddesignstudio@gmail.com

Date: 10/24/17  
Revised: 11/1/17

**ST2**