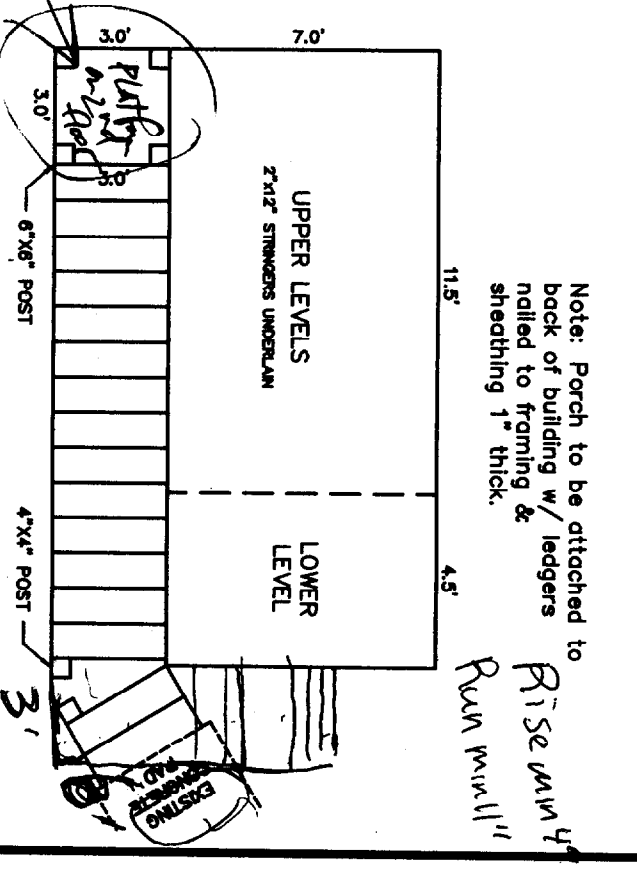
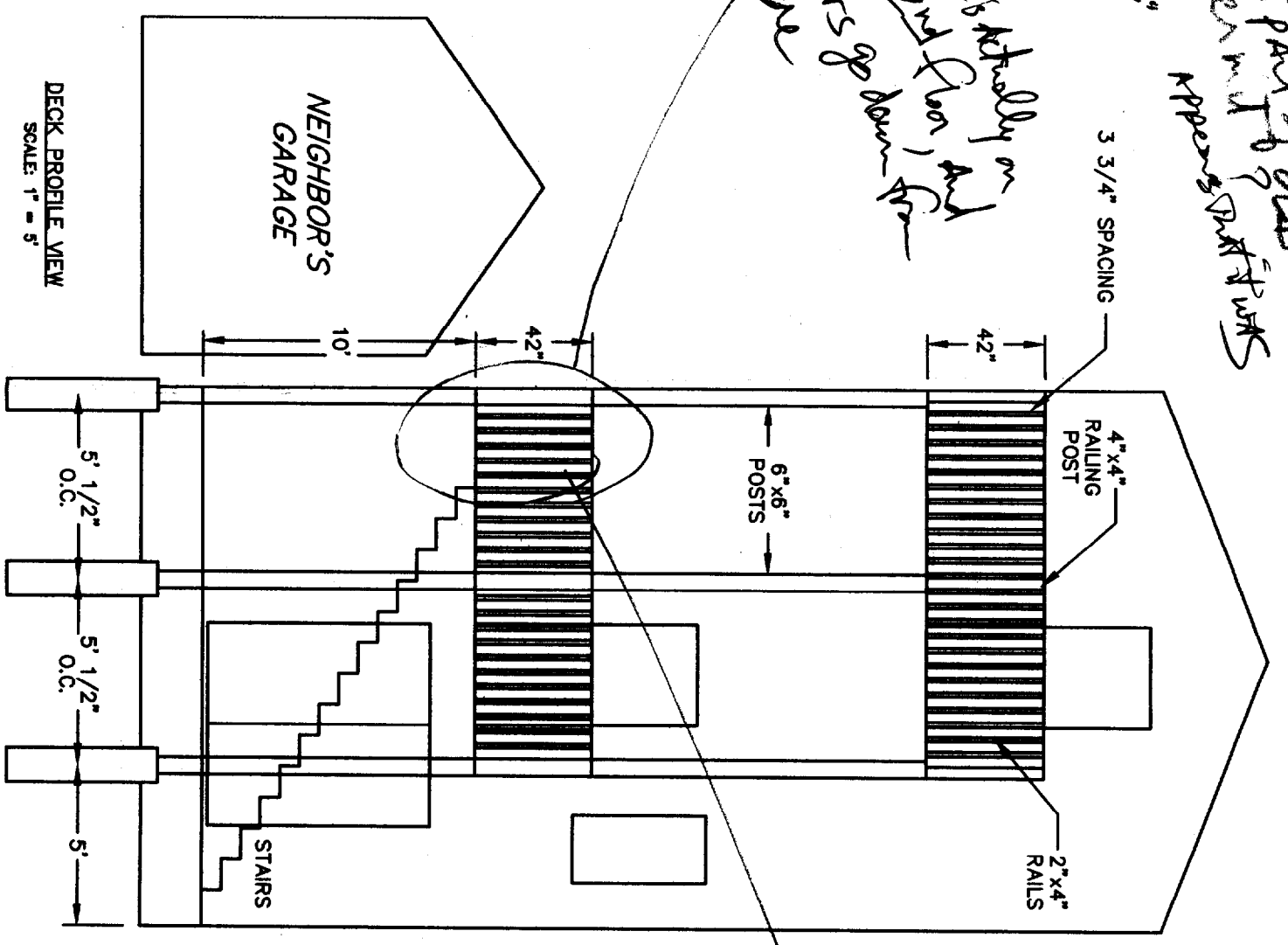


*Not part of old perimeter fence appears part fence*

*2'6"*

*3 3/4" SPACING*

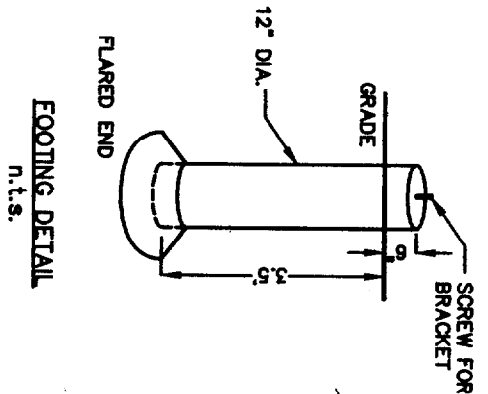
*This is actually on the 2nd floor, and stairs go down from porch*



Note: Porch to be attached to back of building w/ ledgers nailed to framing & sheathing 1" thick.

Rise min 4" max 1"

Ruin wall!



12/17/01

Needs to own this all existed like this before

Will ledger joist - 2x8's - 2x8's - 2x8's

5" x 8" Sill

ZONED: RESIDENCE 6  
AREA = 4,500 sf  
FRONTAGE = XXX feet  
SETBACKS: FRONT = XX feet  
SIDE = XX feet  
REAR = XX feet

DATE: NOV 25, 2001 SCALE: VARIES

PREPARED FOR:  
**JOEL MONAGHAN**  
57 MELBOURNE STREET  
PORTLAND, ME 04101

PROPOSED ADDITION PLAN

57 MELBOURNE STREET  
PORTLAND, ME