

Sidewall Venting Options – Direct Vent Installation

Figure 4-3(a)

Two-pipe Termination (Sidewall)

**WARNING**

Exhaust must terminate a minimum of 18" above Air-inlet termination; see Figure 4-5(a) for more details.

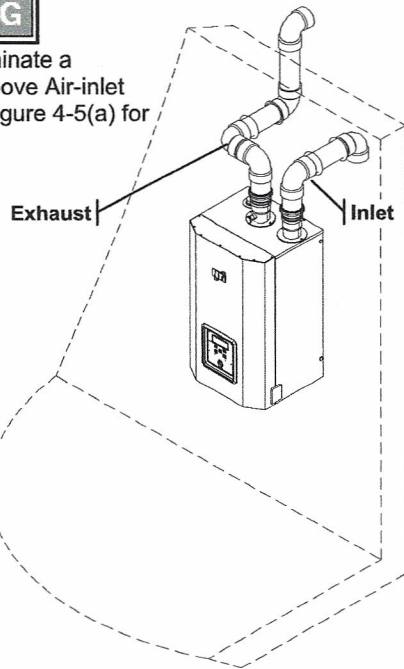


Figure 4-3(b)

Low Profile Termination (Sidewall)

**WARNING**

3" IPEX Low Profile Termination illustrated; see Figure 4-5(c) for more details.

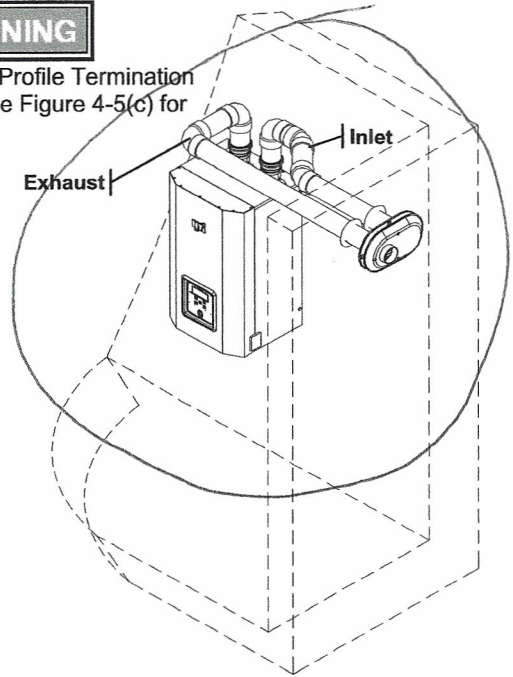
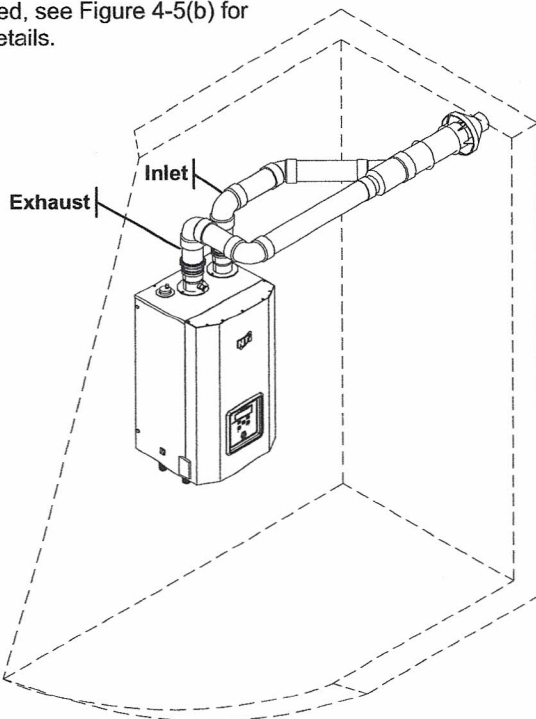


Figure 4-3(c)

Concentric Termination (Sidewall)

**WARNING**

3" IPEX Concentric Termination illustrated, see Figure 4-5(b) for more details.



**WARNING**

3" DuraVent Concentric Termination illustrated, see Figure 4-5(d) for more details.

