

Submittal Data: 18RLFC
Inverter Driven Heat Pump

18,000 BTU Slim Compact Duct

Job Name: _____
Location: _____
Engineer: _____
Submitted to: _____
Submitted by: _____
Reference: _____

Date: _____
Approval: _____
Construction: _____
Unit #: _____
Drawing #: _____

General Features

- Wired remote controller
- Weekly timer
- Dry mode
- Auto louver: up/down
- Auto mode
- Auto changeover
- Low ambient cooling
- Cold prevention
- Daisy chain
- Condensate pump

- Standard Warranty: 5 years parts, 7 years compressor. Applies to systems purchased before June 1st 2015*
- Extended Warranty: 10 years parts, 10 years compressor. Systems that have been installed on or after June 1st 2015 by licensed contractors and the online Product Registration has been submitted.**
- Elite Contractor Extended Warranty: 12 years parts, 12 years compressor. Systems that have been installed on or after June 1st 2015 by contractors who have met requirements and have been approved for elite contractor status plus, the online Product Registration has been submitted.***



Temperature Setting Range

Cooling 14°F - 115°F (-10°C - 46°C)
Heating 5°F - 75°F (-21°C - 24°C)

Efficiency

SEER 19.7
EER (cooling) 3.52 kW/kW
COP (heating) 3.79 kW/kW
HSPF (heating) 11.3 Btu/hW
Moisture Removal 4.2 pints/h / 2.0 liters/h

Enclosure

(Condenser) Material Steel
(Condenser) Color Beige (approximate color or Munsell 10 YR 7.5/1.0)
(Evaporator) Material Galvanized steel sheet

Sound Pressure Level

Condenser 55 dB (A)
Evaporator 32 dB (A)

Dimensions

H x W x D
Condenser in. (mm) 24-1/2 x 31-3/32 x 11-11/32 (620x790x290)
Evaporator in. (mm) 7-25/32 x 35-7/16 x 24-13/32 (198x900x620)

Connection Pipe

Liquid 1/4" in. (6.35 mm)
Gas 1/2" in. (12.7 mm)
Method (Liquid/Gas) Flare
Internal Drain Pump Lift 27'-9 16"

Weight

Condenser 86 lbs. (39 kg)
Evaporator 50 lbs. (23 kg)

Accessories

UTY-RNNUM Wired remote controller
UTY-RVNUM Wired remote controller (backlit, shows room temp.)
UTY-RSNUM Wired remote controller (simple)
UTY-XSZX Remote sensor
UTY-LRHUM Receiver unit
UTD-ECSSA Slim duct connector kit
UTD-GXSA-W Auto louver grille kit

Intertek ETL Number

AOU18RLFC 91986
ARU18RLF 3170288



Fujitsu General America, Inc.
353 Route 46 West
Fairfield, NJ 07004
Toll Free: 1-888-888-3424
Fax: (973) 836-0447
www.fujitsu-general.com

Model Information

Condenser AOU18RLFC
Evaporator ARU18RLF

Electrical

Available voltage range 208/230V AC 1ph-60Hz
Minimum circuit ampacity 208/230 +/- 10%
Max fuse size 17.3 A
Rated Current 20 A
Cooling 6.6 A
Heating 7.3 A
Input Power 1.50 kW
Cooling 1.67 kW
Heating

Capacity

Nominal cooling 18,000 Btu/h
Min-max cooling 3,100 - 20,100 Btu/h
Nominal heating 21,600 Btu/h
Min-max heating 3,100 - 25,600 Btu/h

Compressor

Motor output 1,000 W
Refrigerant R410a
Charge 2 lbs. 14 oz.
Oil FREOL α68SZ

Fan Motor

(Condenser) Type: DC Propeller fan x1
(Condenser) Motor Output 115 W
(Evaporator) Type Sirocco fan x3
(Evaporator) Motor Output 96 W

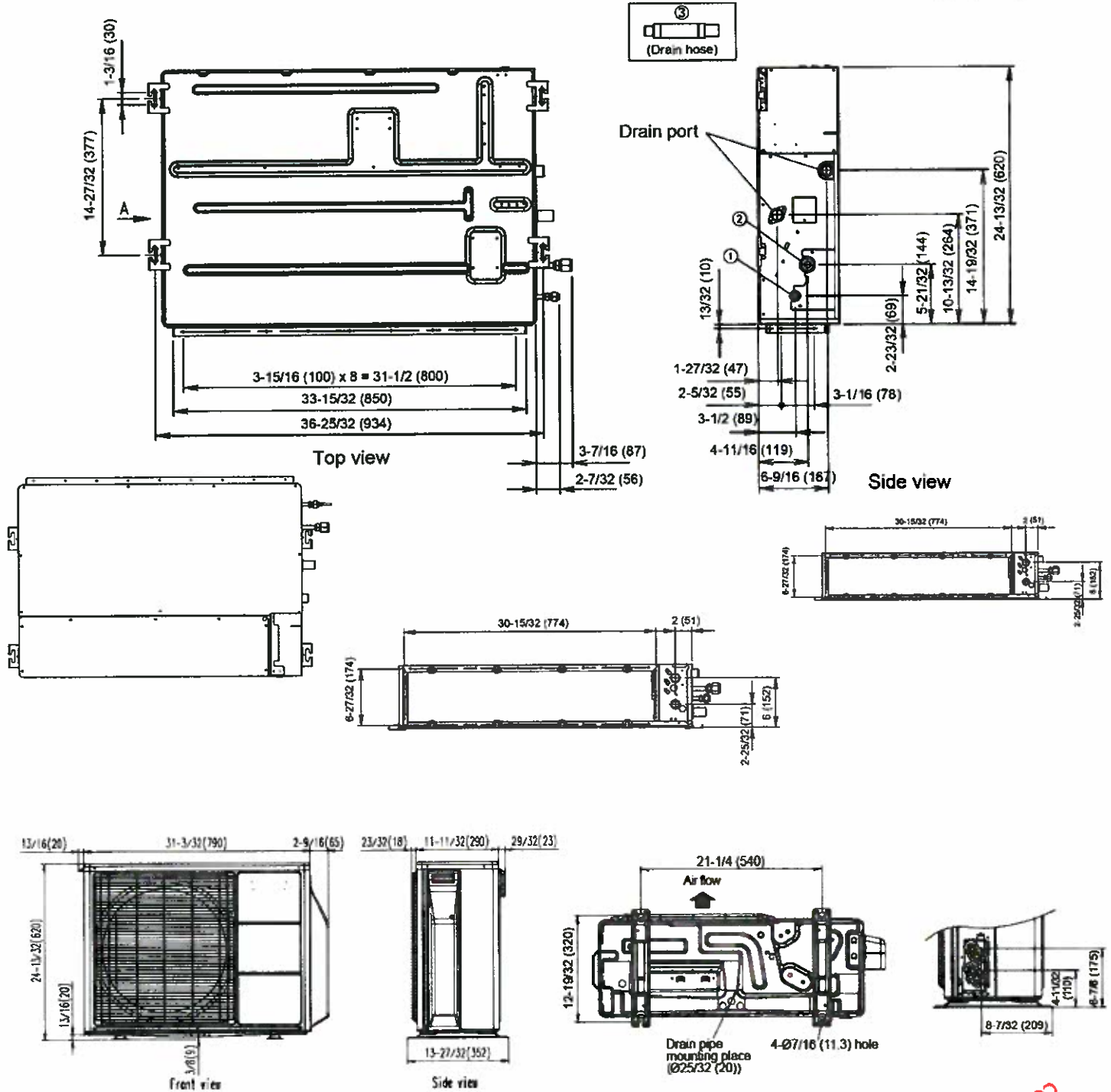
Heat Exchanger

Condenser (H x W x D) in. (mm) 23-5/32 x 34-11/16 x 1-7/16 (588x881x36.4)
Fin Pitch 20 FPI
Rows x stages 2 x 28
Pipe type (Material) Copper
Type (Material) Aluminum

Note: Specifications are based on the following conditions:
Cooling: Indoor temperature of 80°F (26.7°C) DB/67°F (19.4°C) WB, and outdoor temperature of 95°F (35°C) DB/75°F (24°C) WB
Heating: Indoor temperature of 70°F (21.1°C) DB/59°F (15°C) WB, and outdoor temperature of 47°F (8.3°C) DB/43°F (6.1°C) WB
Pipe length: 248.7m (798ft) Height difference: 6ft (1.8m) (Outdoor unit - indoor unit)
*Standard warranty **12 year warranty ***12 year warranty

Dimensions: 18RLFCD

[Unit: in. (mm)]



The Fujitsu logo is a registered trademark of Fujitsu Limited.
 The Haleyon logo and name is a trademark of Fujitsu General America, Inc. Copyright 2016 Fujitsu General America, Inc.
 Fujitsu's products are subject to continuous improvements. Fujitsu reserves the right to modify product design, specifications and information in this brochure without notice and without incurring any obligations.