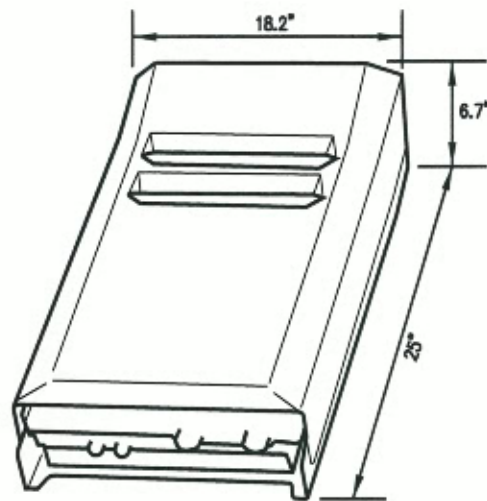


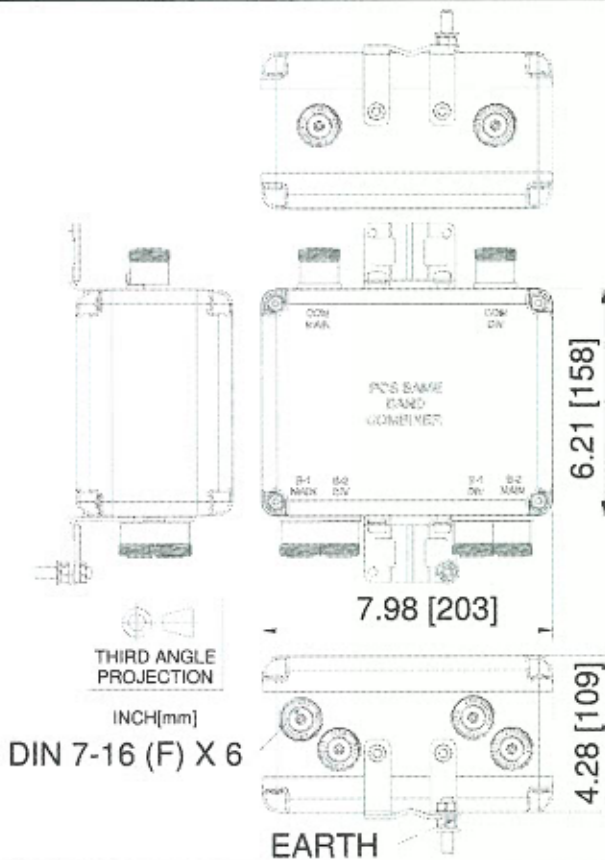
TYPICAL CAC-A32214090 DETAIL

SCALE: N.T.S.



TYPICAL RRUS DETAIL

SCALE: N.T.S.



TYPICAL DBC0081F1VX-1COMBINDER DETAIL

SCALE: N.T.S.

PLANS PREPARED FOR:



PROJECT INFORMATION

853332 - PROMENADE EAST
340 EASTERN PROMENADE
PORTLAND, ME 04101
(CUMBERLAND COUNTY)

PLANS PREPARED BY:



511 Congress Street Suite 200, Portland ME 04101
P: (207) 775-5401 F: (207) 772-4762 www.amec.com

PROJECT COORDINATION & MANAGEMENT:

KJK Wireless, LLC
127 Ridge Road, Nashua, NH 03062
Phone: (603) 888-8974

SEAL



REV	DATE	ISSUED FOR
△	5/31/13	ISSUED FOR CONSTRUCTION

PROJECT NO: 3618138235

DRAWN BY: CBM

RELEASED BY: MSD

SHEET TITLE
PROPOSED EQUIPMENT DETAILS

SHEET NUMBER	REVISION:
C-2	0