

NOTE:
AN ANALYSIS FOR THE CAPACITY OF THE EXISTING STRUCTURES TO SUPPORT THE PROPOSED EQUIPMENT SHALL BE DETERMINED PRIOR TO CONSTRUCTION.

NOTE:
REFER TO THE FINAL RF DATA SHEET FOR FINAL ANTENNA SETTINGS.

NOTE:
PAINT ALL VISIBLE PROPOSED ANTENNAS & CABLE TRAYS TO MATCH EXISTING SURROUNDINGS

PROPOSED SLIDER BRACKET WALL MOUNT, VALMONT P/N SBWM (TYP. OF 1 PER SECTOR, TOTAL OF 3)

PROPOSED 5/8" THRU-BOLT (TYP.)
PROPOSED 8"x8"x3/8" BACKER PLATE (TYP.)

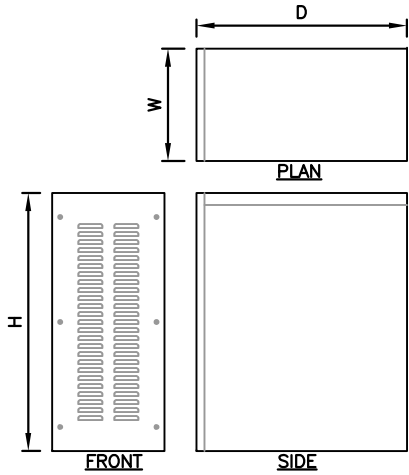
PROPOSED T-MOBILE ANTENNAS MOUNTED TO A PROPOSED PIPE ON THE EXISTING PENTHOUSE FACADE (TYP. OF 1 PER SECTOR, TOTAL OF 3) (PAINT TO MATCH)

☉ OF PROPOSED T-MOBILE ANTENNAS
ELEV. = 107'-5"± A.G.L.

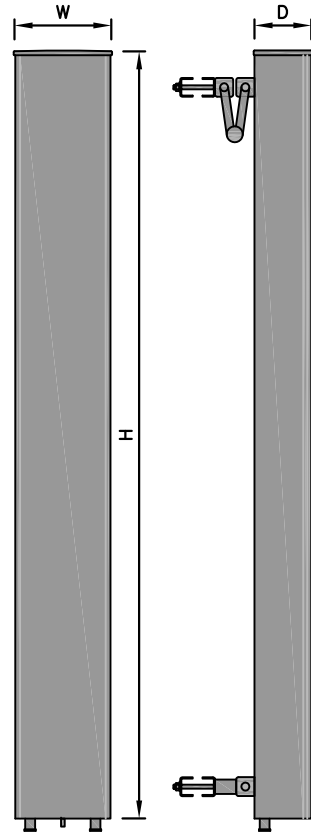
PROPOSED T-MOBILE SMART BIAS-TEE (TYP. OF 1 PER SECTOR, TOTAL OF 3)

PROPOSED 2" STD. (2.38" O.D.) MOUNTING PIPE (10'-0"± LONG) (TYP. OF 1 PER SECTOR, TOTAL OF 3)

BBU DIMENSIONS	
MODEL #	PTS8003
MANUF.	PTS
HEIGHT	32.2"
WIDTH	14"
DEPTH	26.3"
WEIGHT	60 LBS

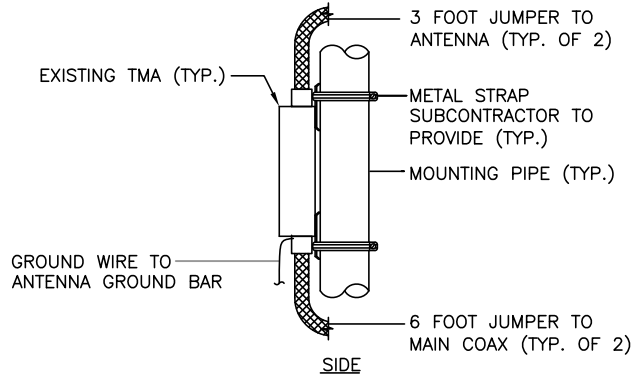
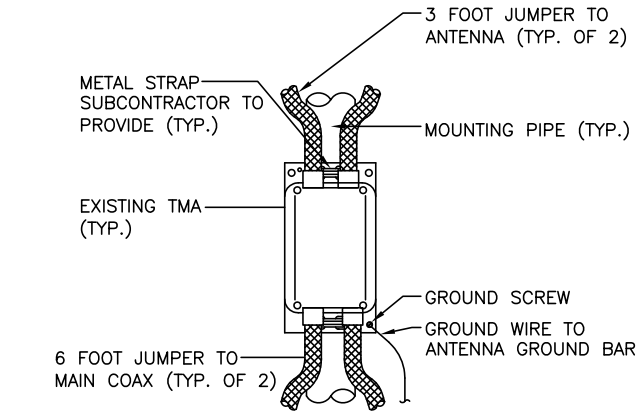


PROPOSED BBU DETAIL 2
SCALE: N.T.S. A-4



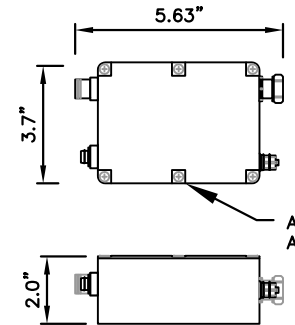
L700 ANTENNA DETAIL 3
SCALE: N.T.S. A-4

L700 ANTENNA DIMENSIONS	
MODEL #	LNX-6515DS-A1M
MANUF.	COMMSCOPE
HEIGHT	96.4"
WIDTH	11.9"
DEPTH	7.1"
WEIGHT	63 LBS



TMA MOUNTING DETAIL 4
SCALE: N.T.S. A-4

SMART BIAS TEE DIMENSIONS	
MODEL #	ATSBT-TOP-MF-4G
MANUF.	COMMSCOPE
HEIGHT	5.63"
WIDTH	3.7"
DEPTH	2"
WEIGHT	1.8 LBS



SMART BIAS TEE 5
SCALE: N.T.S. A-4

PROPOSED L700 ANTENNA MOUNT 1
22x34 SCALE: 1"=1'-0"
11x17 SCALE: 1/2"=1'-0"
A-4



T-MOBILE NORTHEAST LLC

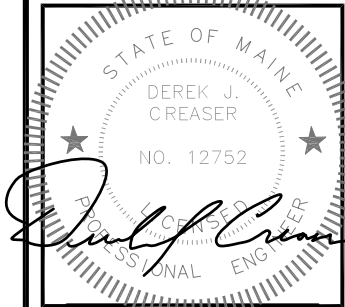
15 COMMERCE WAY, SUITE B
NORTON, MA 02766
OFFICE: (508) 286-2700
FAX: (508) 286-2893



1997 ANNAPOLIS EXCHANGE PKWY
SUITE 200
ANNAPOLIS, MD 21401



1600 OSGOOD STREET
BUILDING 20 NORTH, SUITE 3090
N. ANDOVER, MA 01845
TEL: (978) 557-5553
FAX: (978) 336-5586



CHECKED BY: AT

APPROVED BY: DJC

SUBMITTALS			
REV.	DATE	DESCRIPTION	BY
2	02/12/16	ISSUED FOR PERMITTING	EB
1	01/19/16	ISSUED FOR REVIEW	EB
0	12/08/15	ISSUED FOR REVIEW	VP

SITE NUMBER:
4DN2283A
SITE NAME:
ME283/PROMENADE EAST
SITE ADDRESS:
340 EASTERN PROMENADE
PORTLAND, ME 04101
CUMBERLAND COUNTY

SHEET TITLE
EQUIPMENT
DETAILS

SHEET NUMBER
A-4