

**T-MOBILE
NORTHEAST LLC**

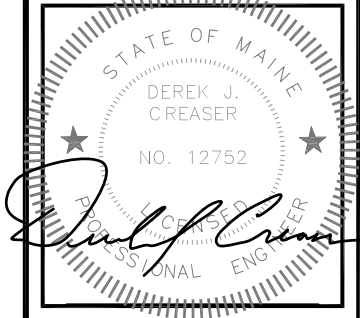
15 COMMERCE WAY, SUITE B
NORTON, MA 02766
OFFICE: (508) 286-2700
FAX: (508) 286-2893



1997 ANNAPOLIS EXCHANGE PKWY
SUITE 200
ANNAPOLIS, MD 21401



1600 OSGOOD STREET
BUILDING 20 NORTH, SUITE 3090
N. ANDOVER, MA 01845
TEL: (978) 557-5553
FAX: (978) 336-5586



CHECKED BY: AT

APPROVED BY: DJC

SUBMITTALS			
REV.	DATE	DESCRIPTION	BY
2	02/12/16	ISSUED FOR PERMITTING	EB
1	01/19/16	ISSUED FOR REVIEW	EB
0	12/08/15	ISSUED FOR REVIEW	VP

SITE NUMBER:
4DN2283A

SITE NAME:
ME283/PROMENADE EAST

SITE ADDRESS:
340 EASTERN PROMENADE
PORTLAND, ME 04101
CUMBERLAND COUNTY

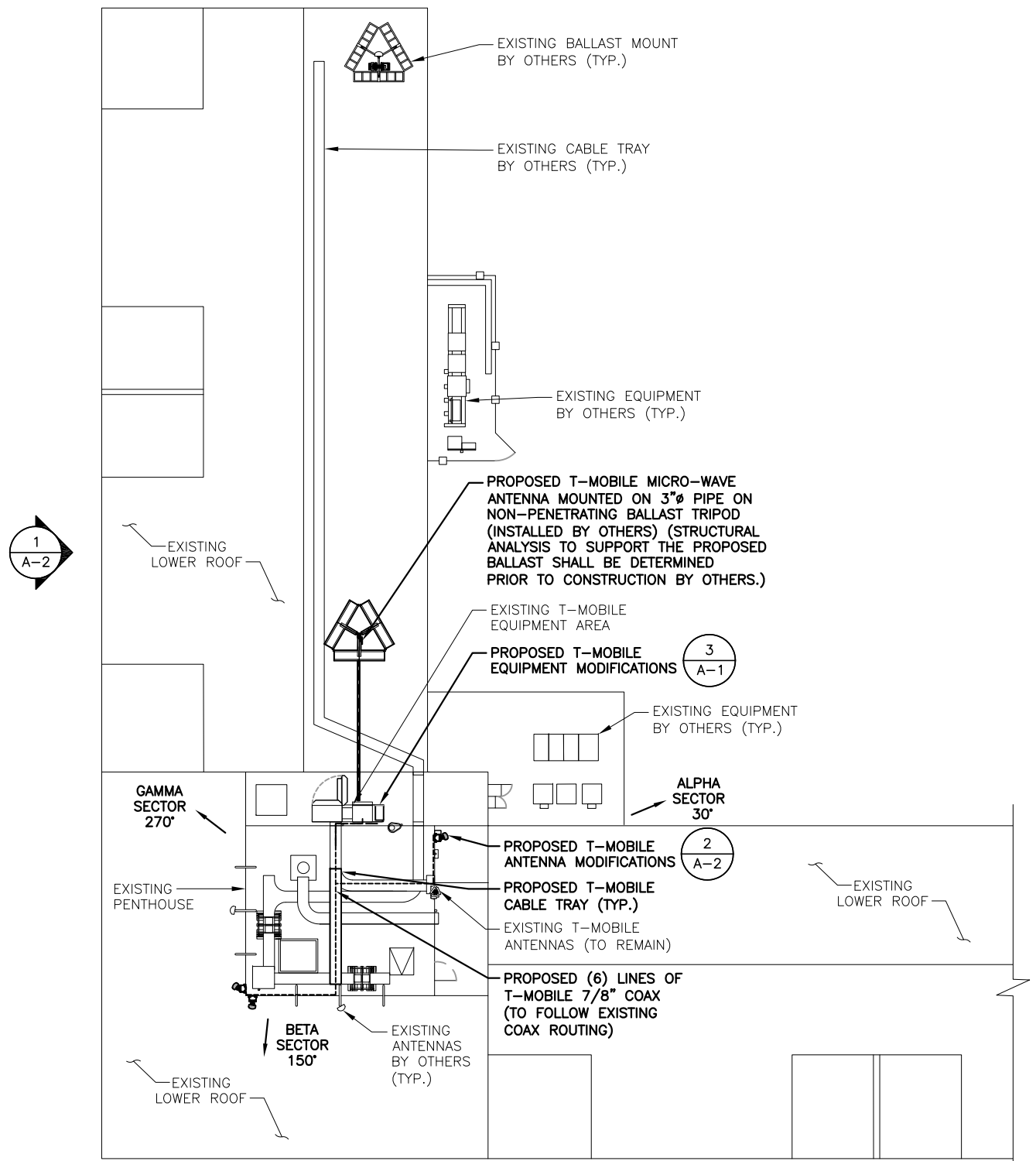
SHEET TITLE
**ROOF &
EQUIPMENT PLAN**

SHEET NUMBER
A-1

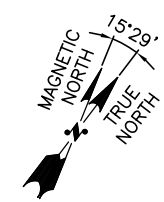
NOTE:
PAINT ALL VISIBLE PROPOSED
ANTENNAS & CABLE TRAYS TO
MATCH EXISTING SURROUNDINGS

NOTE:
AN ANALYSIS FOR THE CAPACITY
OF THE EXISTING STRUCTURES
TO SUPPORT THE PROPOSED
EQUIPMENT SHALL BE DETERMINED
PRIOR TO CONSTRUCTION.

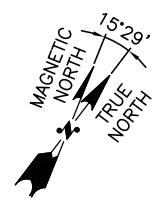
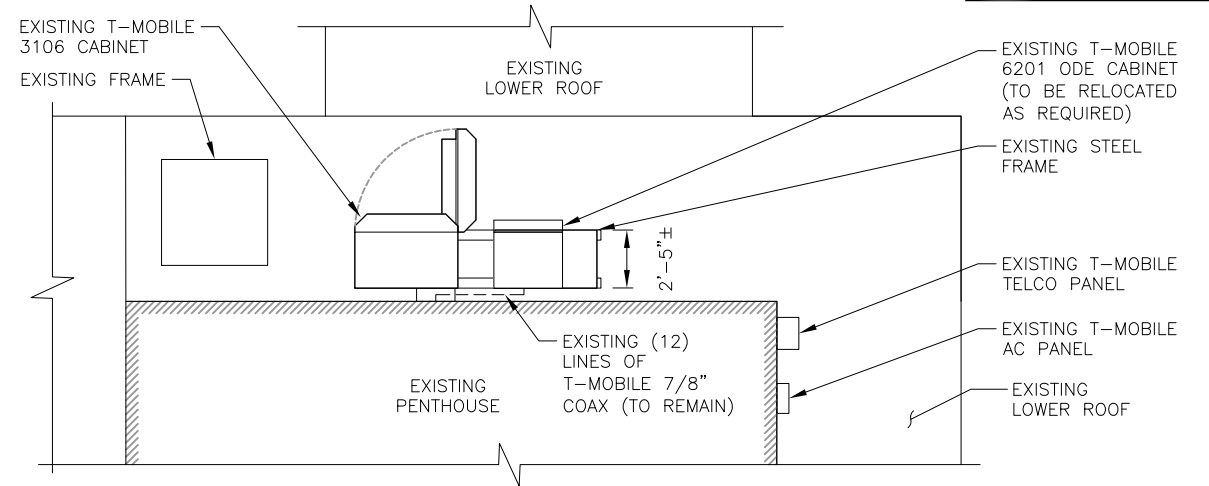
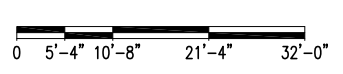
NOTE:
REFER TO THE FINAL RF DATA
SHEET FOR FINAL ANTENNA
SETTINGS.



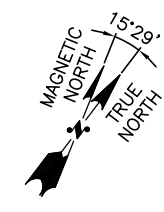
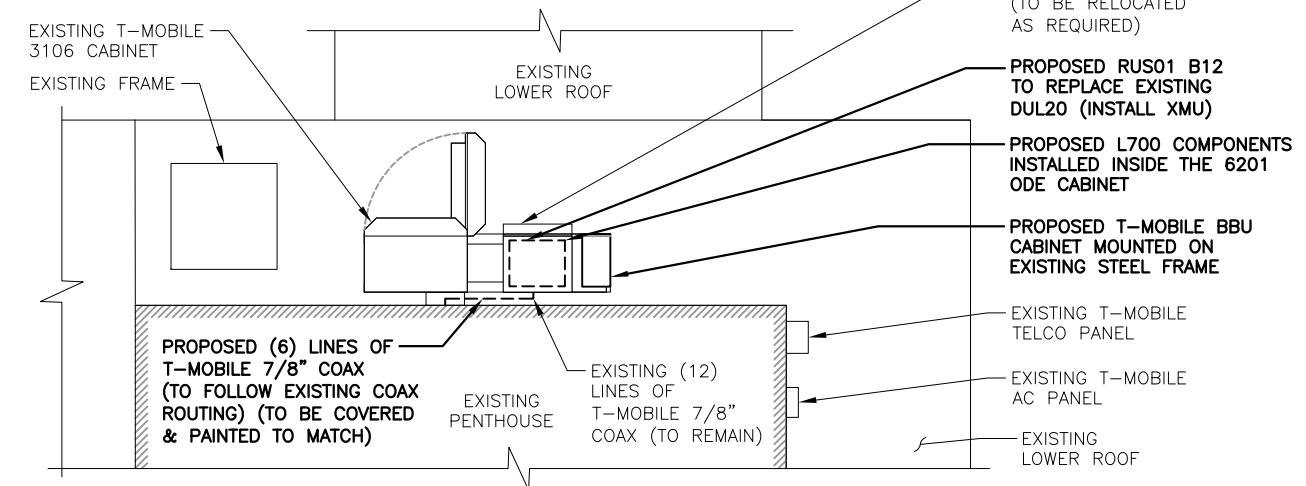
1
A-2



ROOF PLAN
22x34 SCALE: 3/32"=1'-0"
11x17 SCALE: 3/64"=1'-0"



EXISTING EQUIPMENT PLAN
22x34 SCALE: 1/4"=1'-0"
11x17 SCALE: 1/8"=1'-0"



PROPOSED EQUIPMENT PLAN
22x34 SCALE: 1/4"=1'-0"
11x17 SCALE: 1/8"=1'-0"

