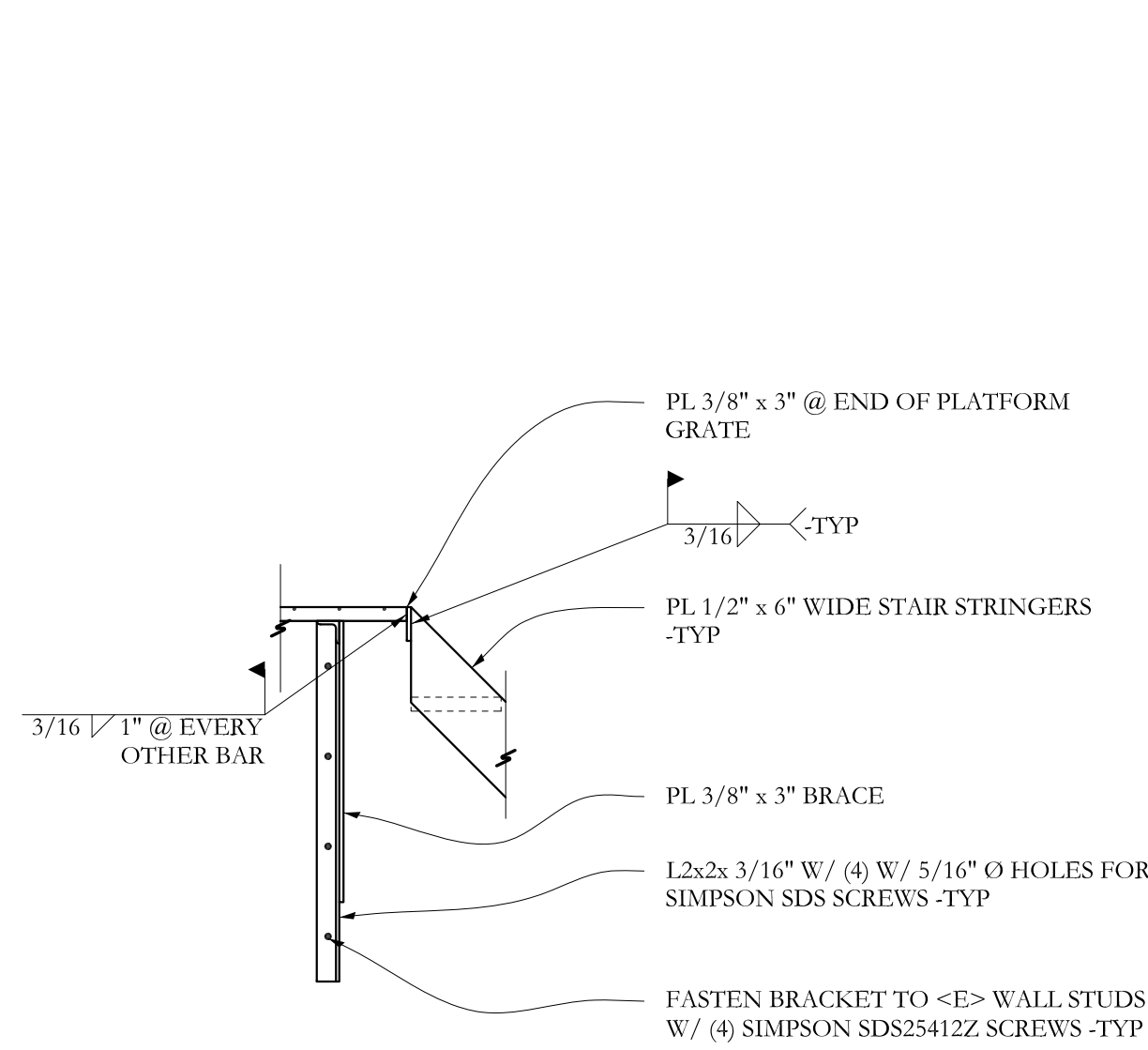


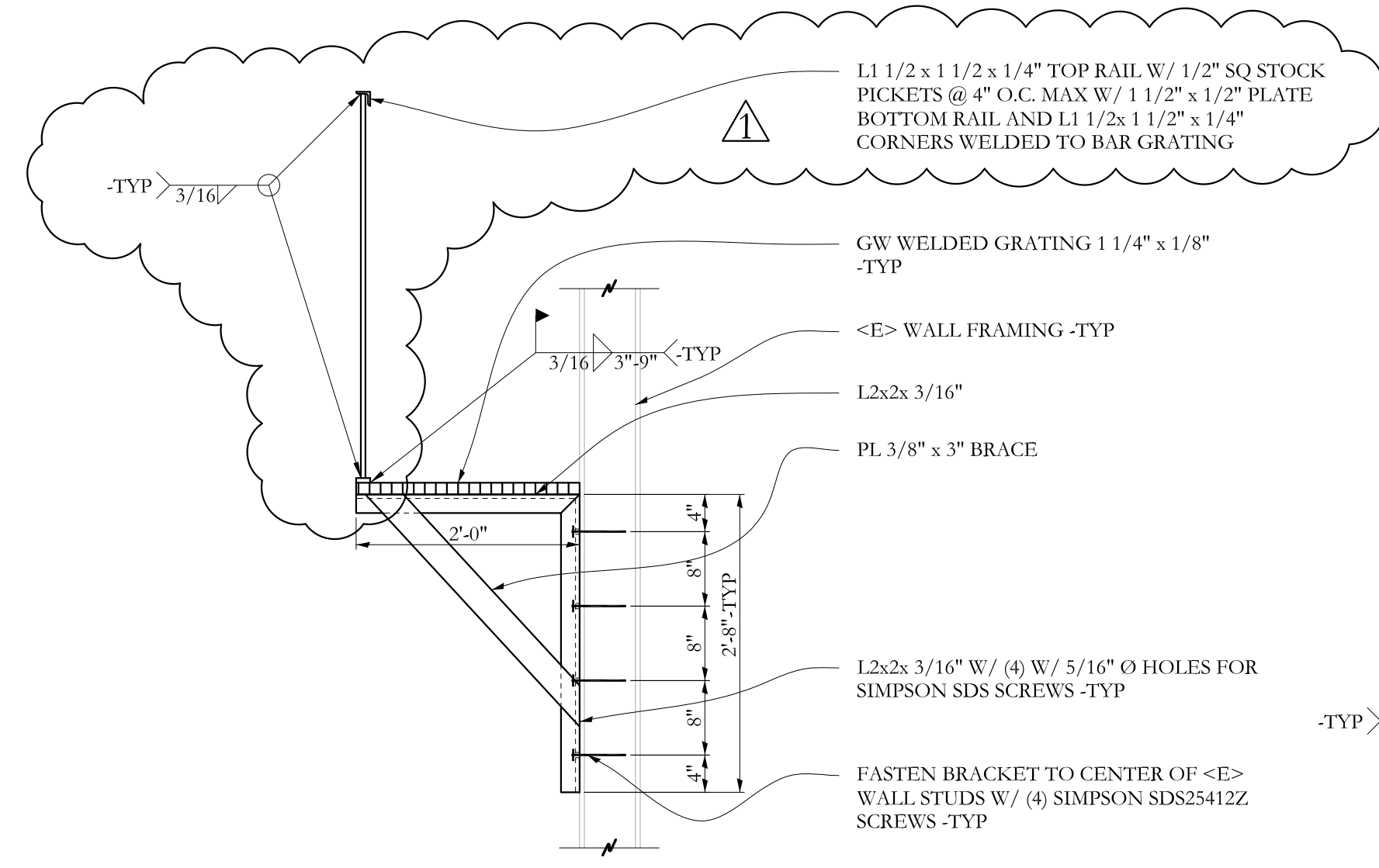
PORT CITY ARCHITECTURE

65 NEWBURY STREET  
PORTLAND, ME 04101  
207.761.9000  
fax: 207.761.2010  
info@portcityarch.com

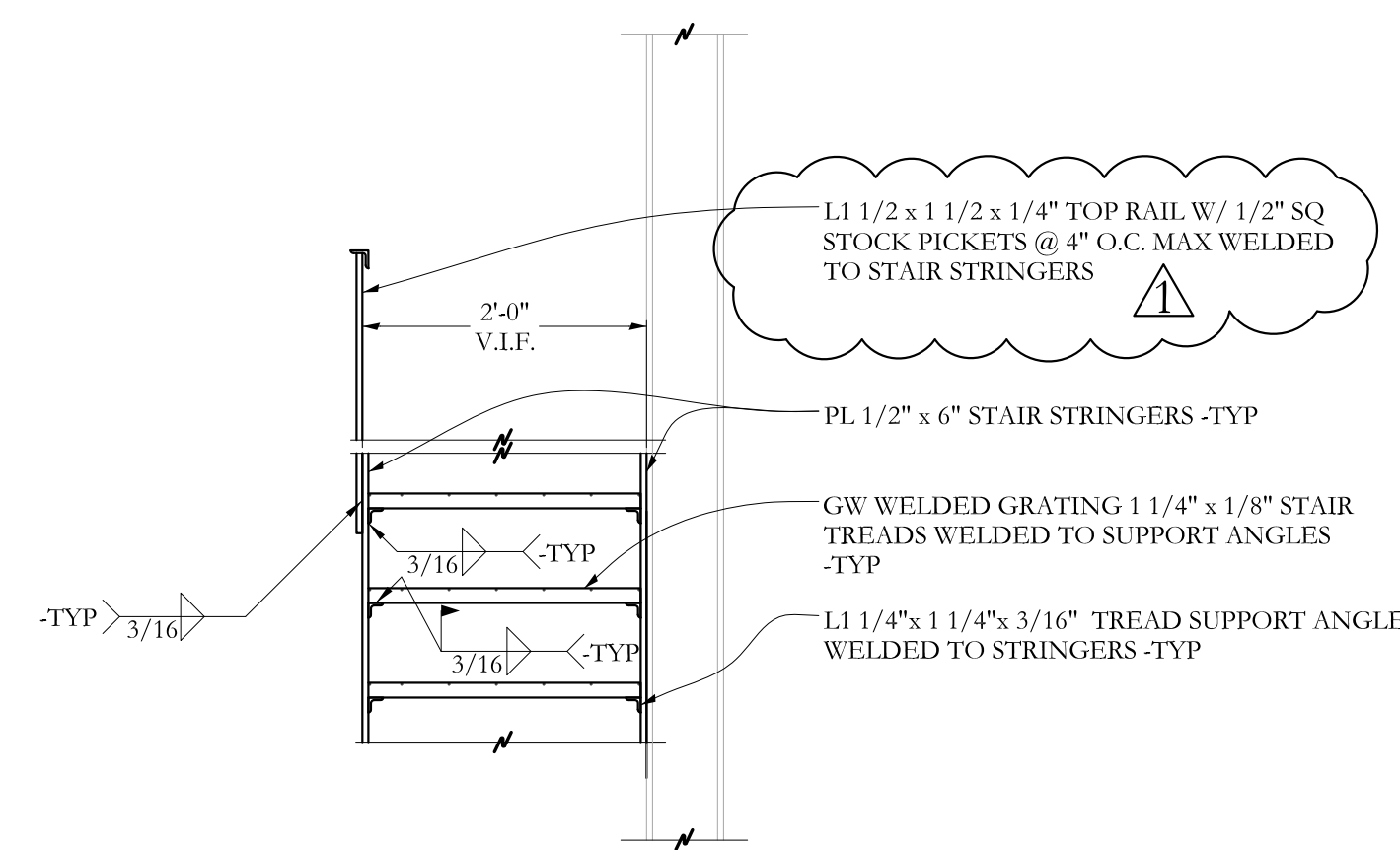
PIERGROSSI / COYNE  
RESIDENCE  
125 MORNING STREET PORTLAND, MAINE



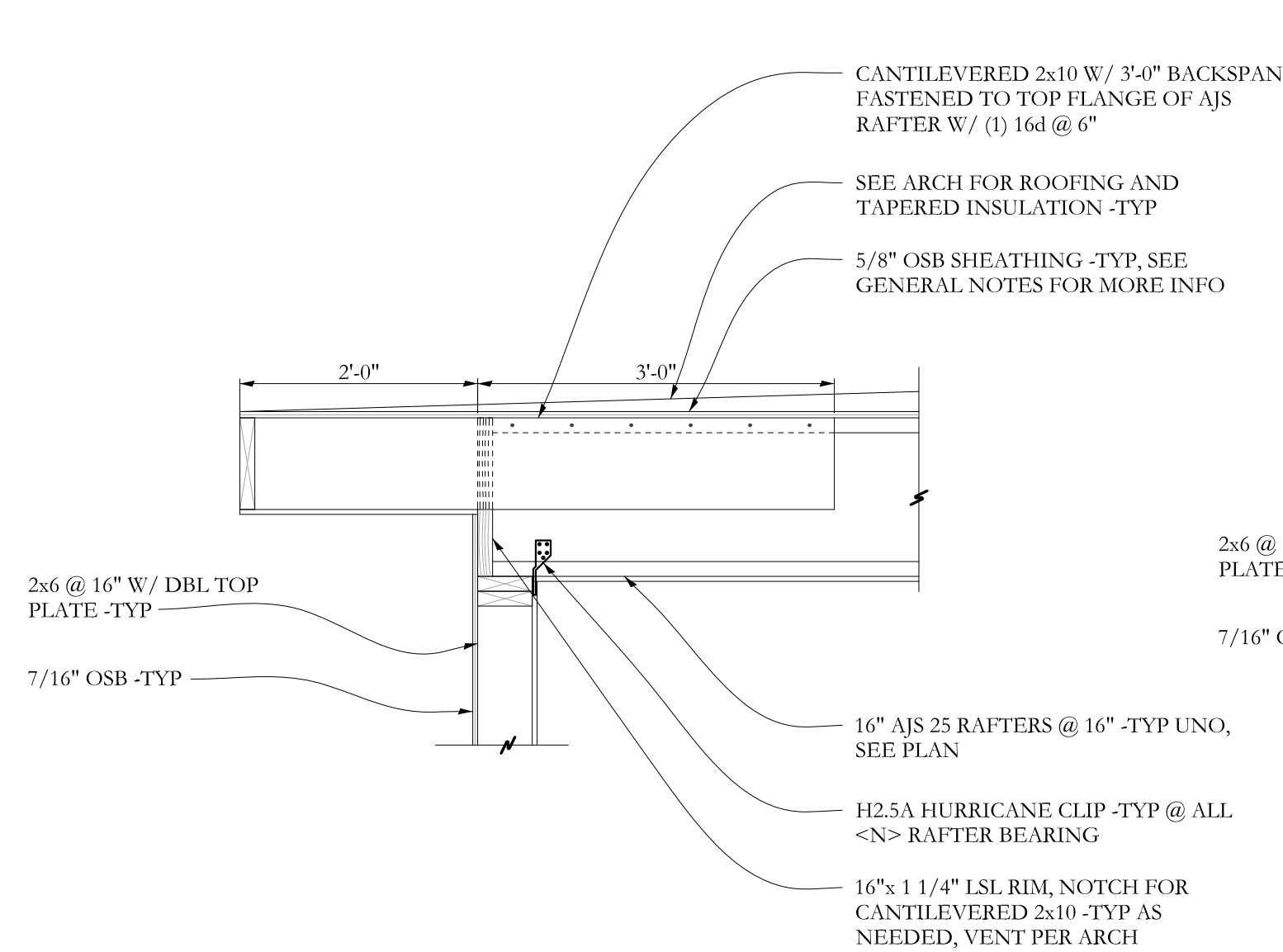
SECTION E 3/4"=1'-0



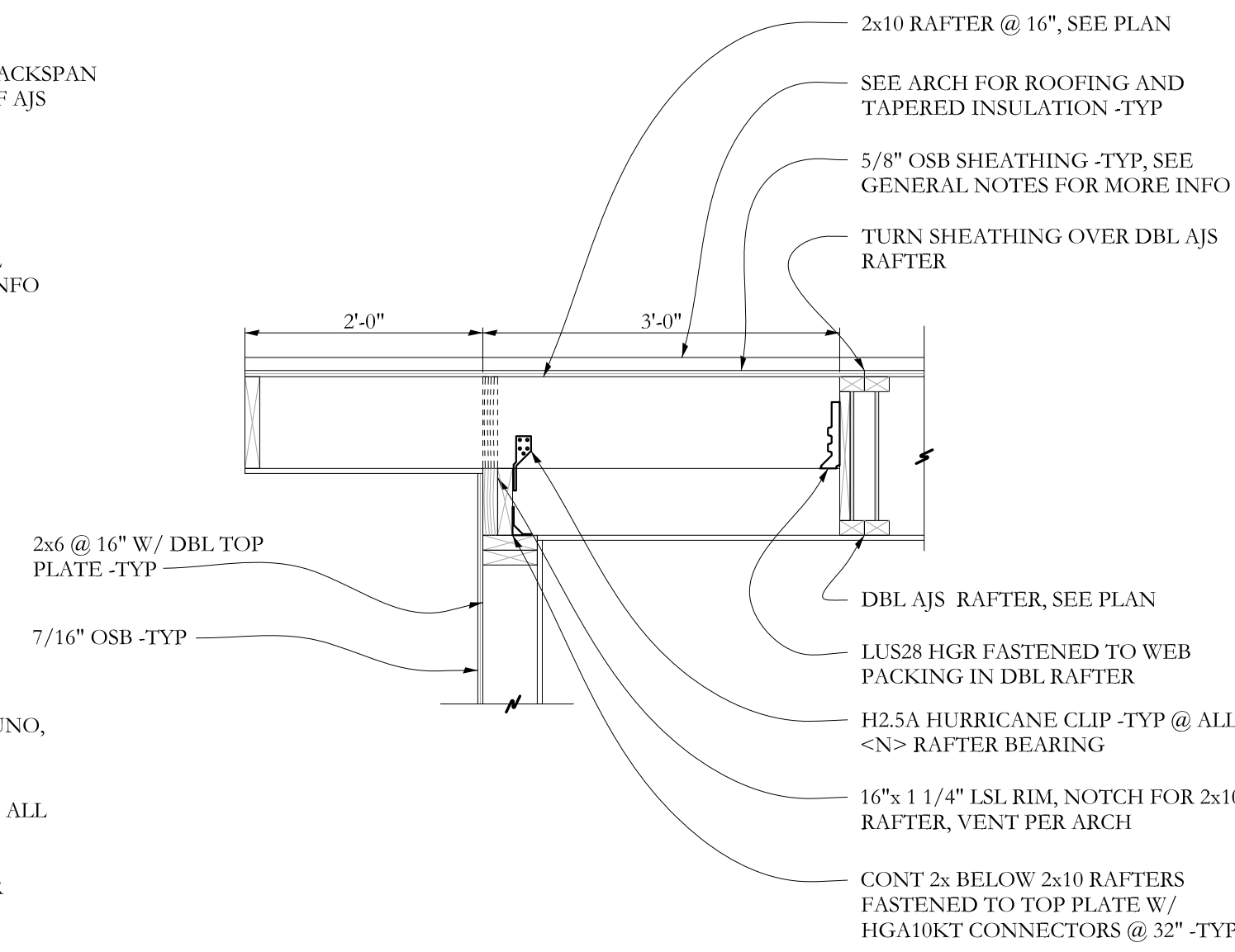
SECTION F 3/4"=1'-0



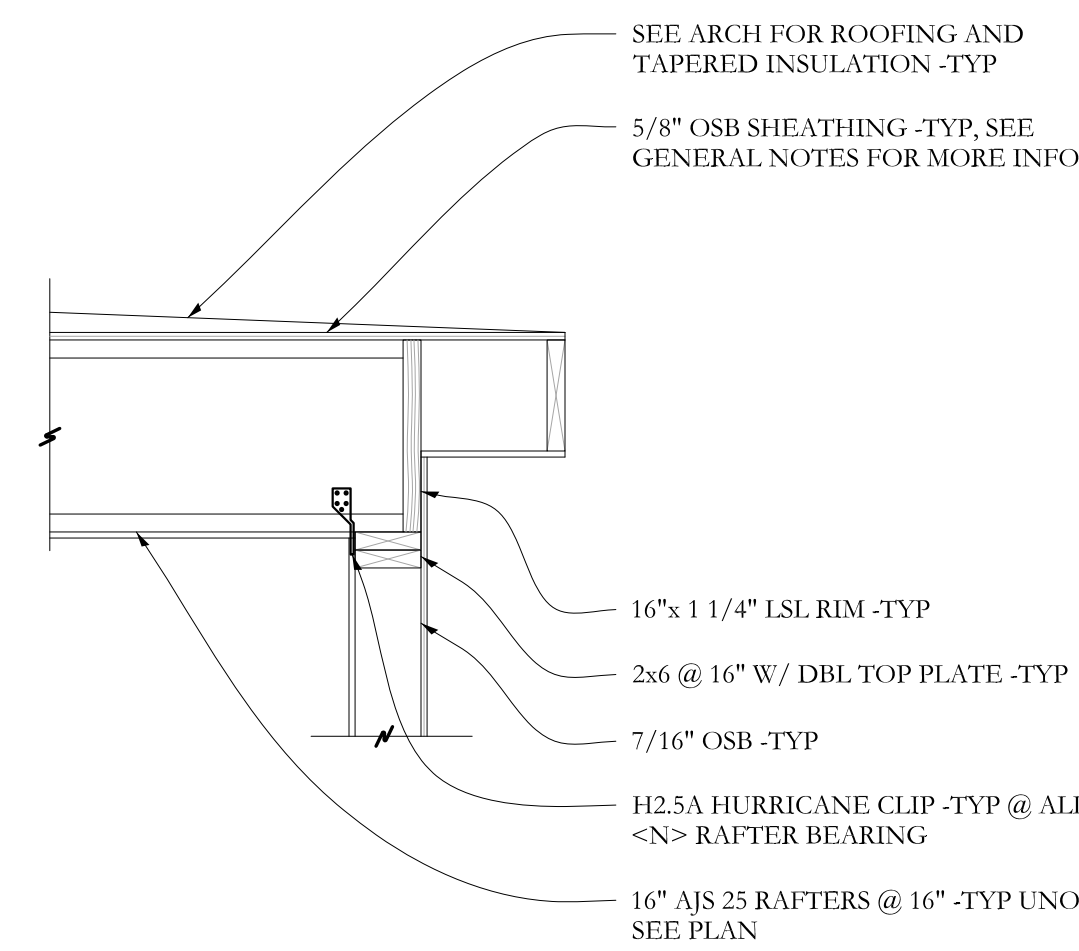
SECTION G 3/4"=1'-0



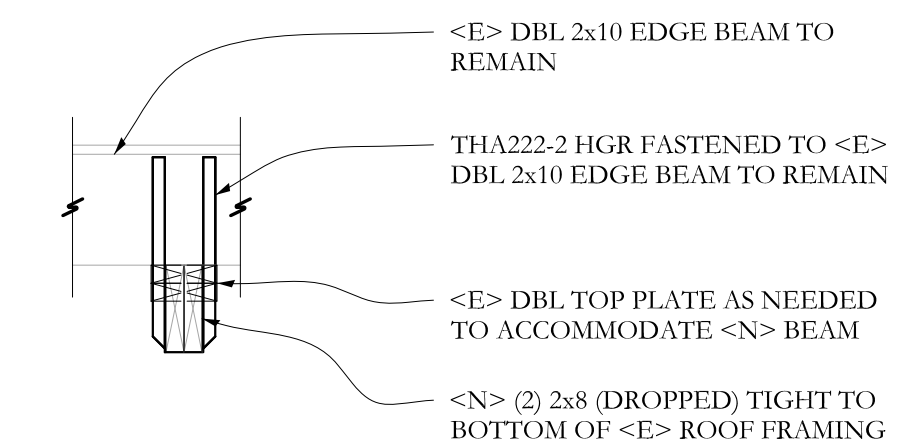
SECTION A 3/4"=1'-0



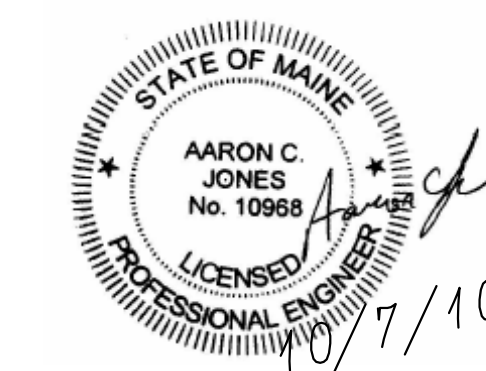
SECTION B 3/4"=1'-0



SECTION C 3/4"=1'-0



SECTION D 3/4"=1'-0



**Structural Integrity**  
Consulting Engineers, Inc.

77 Oak Street  
Portland, ME, 04101  
p. 207-774-6614  
f. 866-793-7835  
www.structuralintegrity.com  
BUILD WITH CONFIDENCE  
© 2010 Structural Integrity Consulting Engineers, Inc.  
SI# 10-0109

Revision	10-22-10
Date Issued	10-7-10
Project Number	10009
Drawing Scale	1/4"=1'-0"
SHEET NAME	SECTIONS
Drawn By	
Checked By	S-2.1