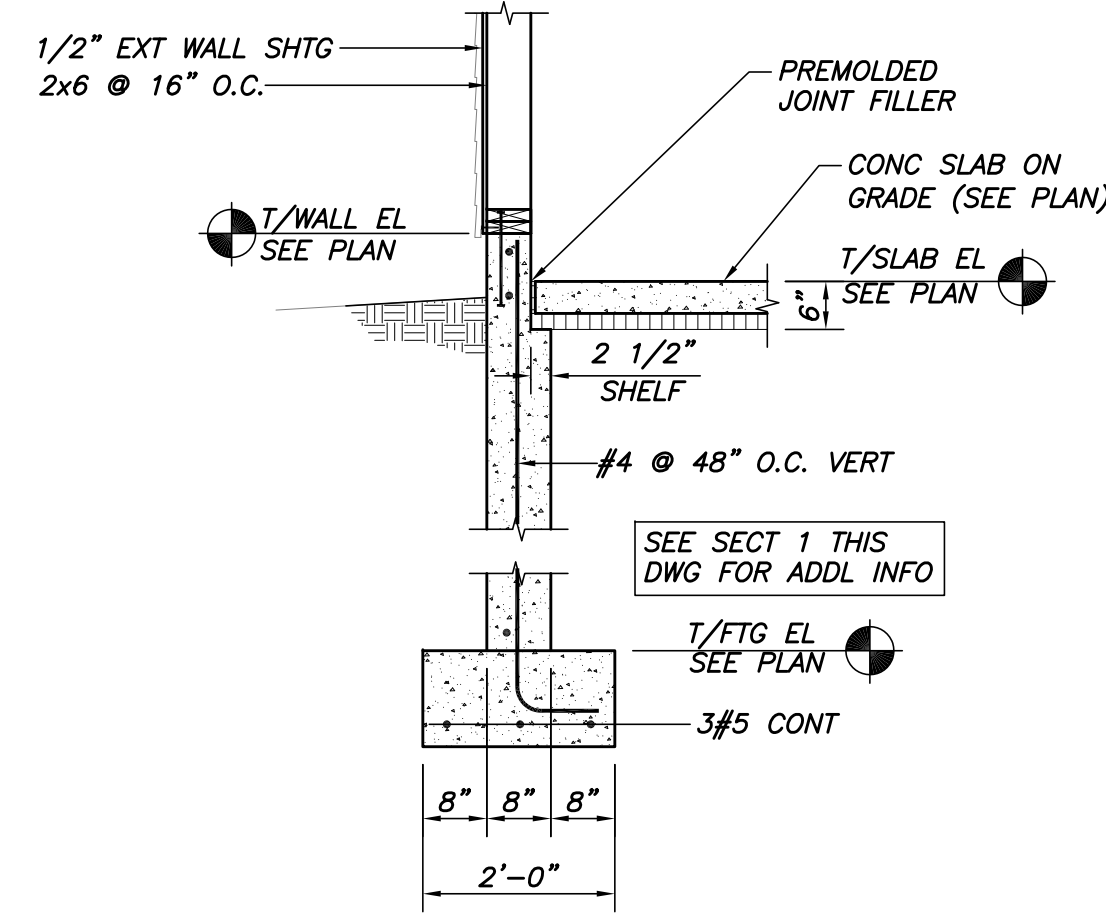
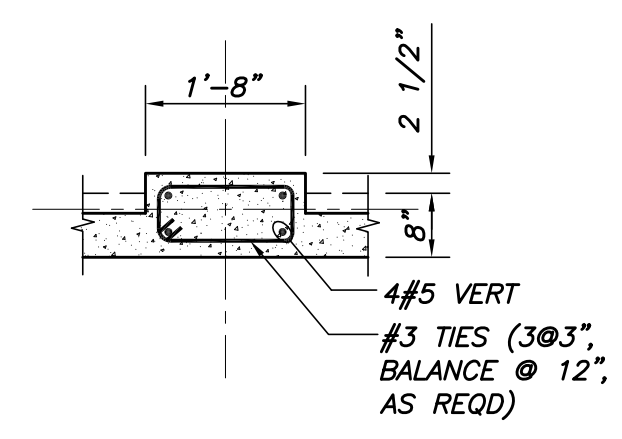


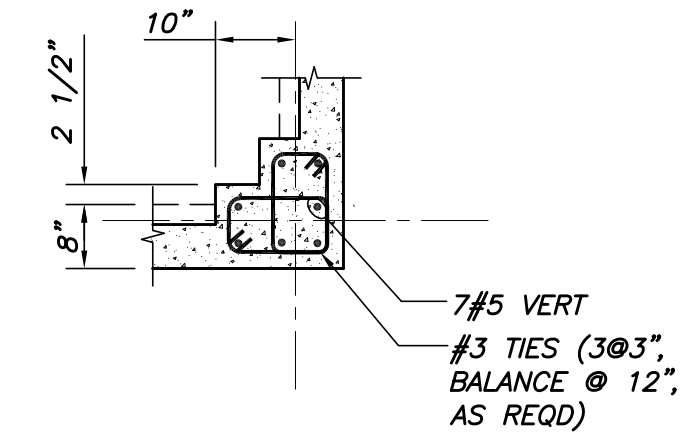
SECTION 1
1/2"=1'-0"



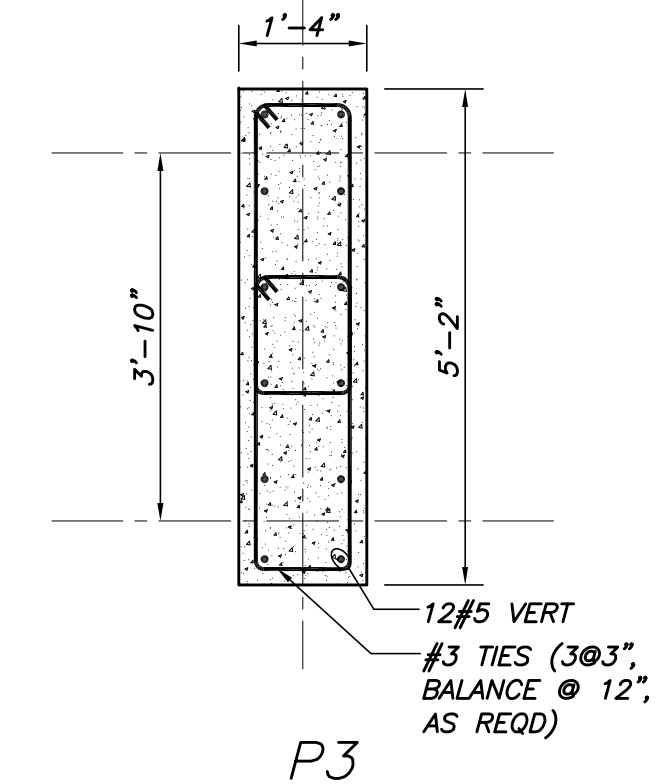
SECTION 2
1/2"=1'-0"



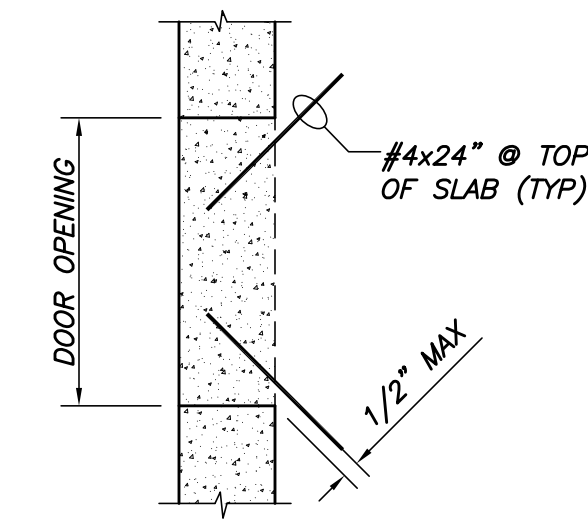
P1



P2

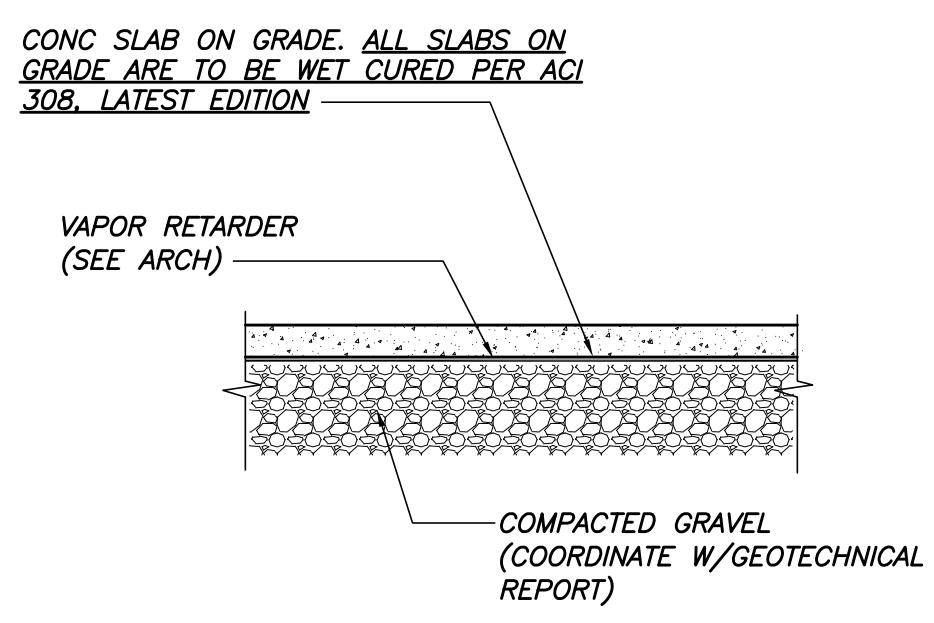


P3

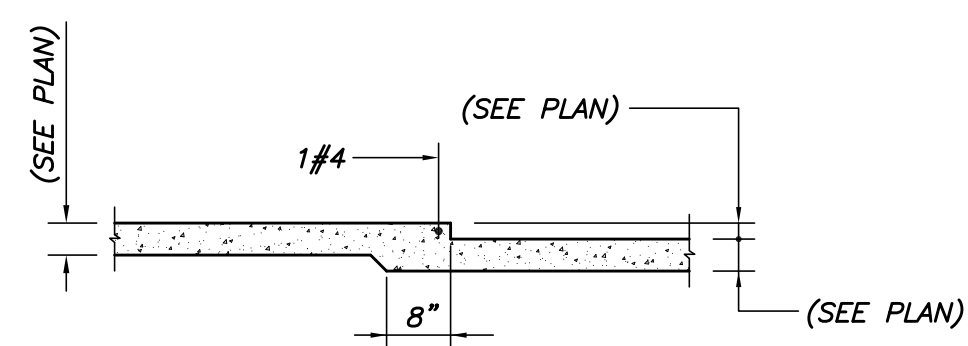


TYP SLAB CORNER DETAIL @ DOOR
N.T.S.

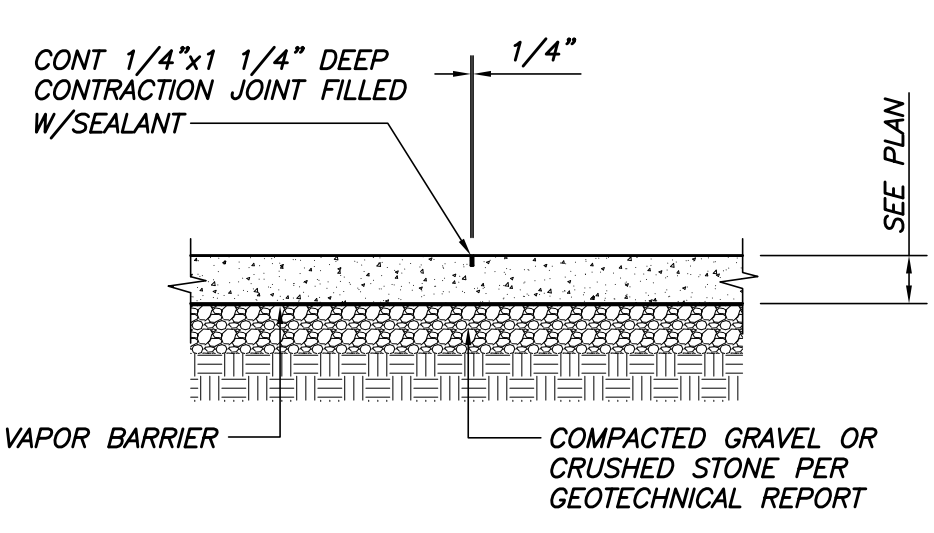
REBAR LAP SPLICE TABLE	
BAR SIZE	LAP LENGTH
#3	30"
#4	36"
#5	48"
#6	56"
#7	81"
#8	93"



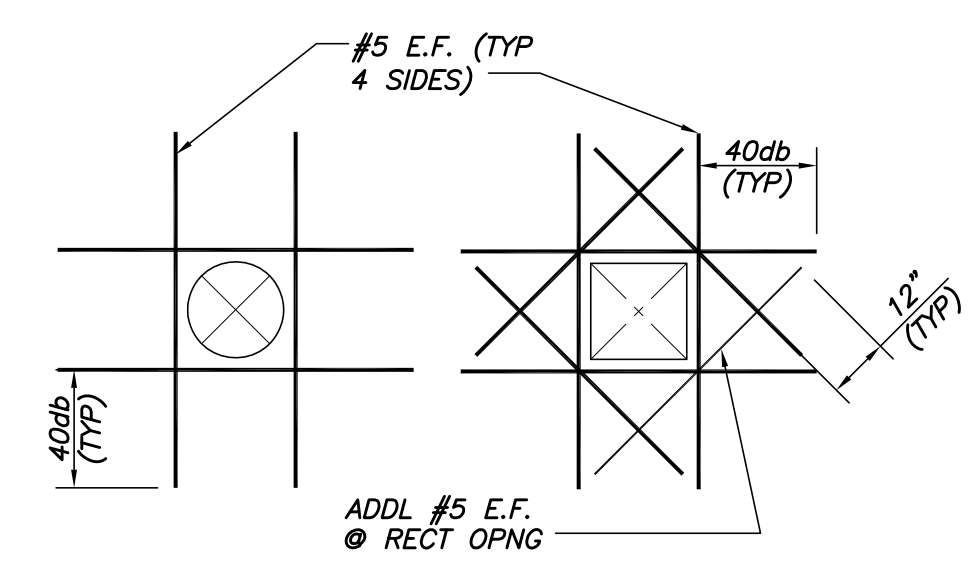
TYP SLAB DETAIL
N.T.S.



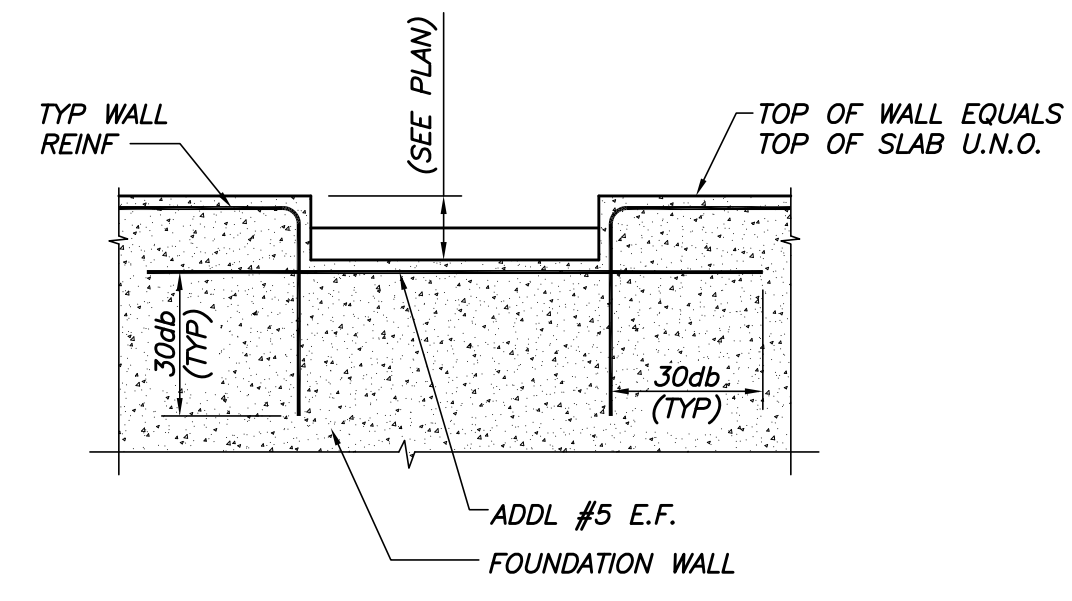
TYP SLAB ON GRADE DEPRESSION DETAIL
N.T.S.



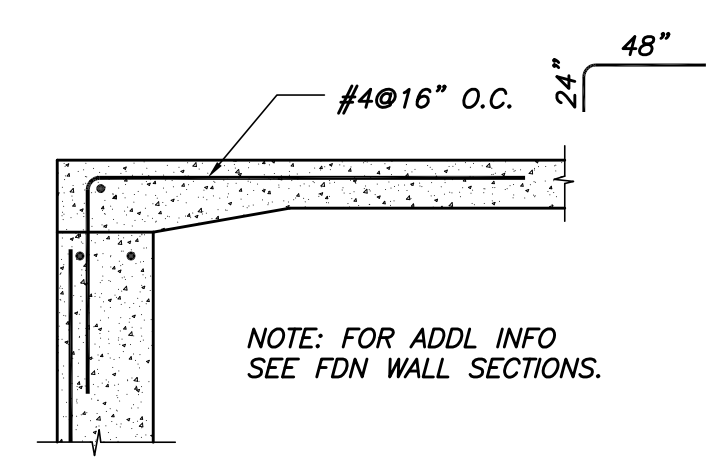
TYP SLAB ON GRADE CONTRACTION JOINT DETAIL
N.T.S.



TYP OPENING IN WALL OR SLAB DETAIL
N.T.S.



TYP WALL DEPRESSION DETAIL @ DOOR
N.T.S.



TYP SLAB DETAIL @ DOOR
N.T.S. t = SLAB THICKNESS



Approved	
Issued For	
Date	
Rev. No.	

BRAMLEY/SIMMONS RESIDENCE
PORTLAND, ME
FOUNDATION DETAILS & SECTIONS

Designed	NRM	Scale	NOTED
Drawn	MSK	Date	10/3/14
Checked	PBB	Becker Job Number	3354

NOT FOR CONSTRUCTION
PERMIT SET 10/3/2014

THESE DWGS ARE NOT COMPLETE.
DESIGN IS STILL IN PROGRESS.
CONTRACTOR SHALL CARRY
APPROPRIATE CONTINGENCY.

S2.1

THIS DRAWING IS AN INSTRUMENT OF SERVICE AND SHALL REMAIN THE PROPERTY OF BECKER STRUCTURAL ENGINEERS INC. IT SHALL NOT BE REPRODUCED, COPIED, LENT OR DISPOSED OF DIRECTLY OR INDIRECTLY, NOR USED FOR ANY PURPOSE OTHER THAN FOR WHICH IT IS SPECIFICALLY FURNISHED AND MUST BE RETURNED TO BECKER STRUCTURAL ENGINEERS INC. ON COMPLETION OF WORK, IF REQUESTED.