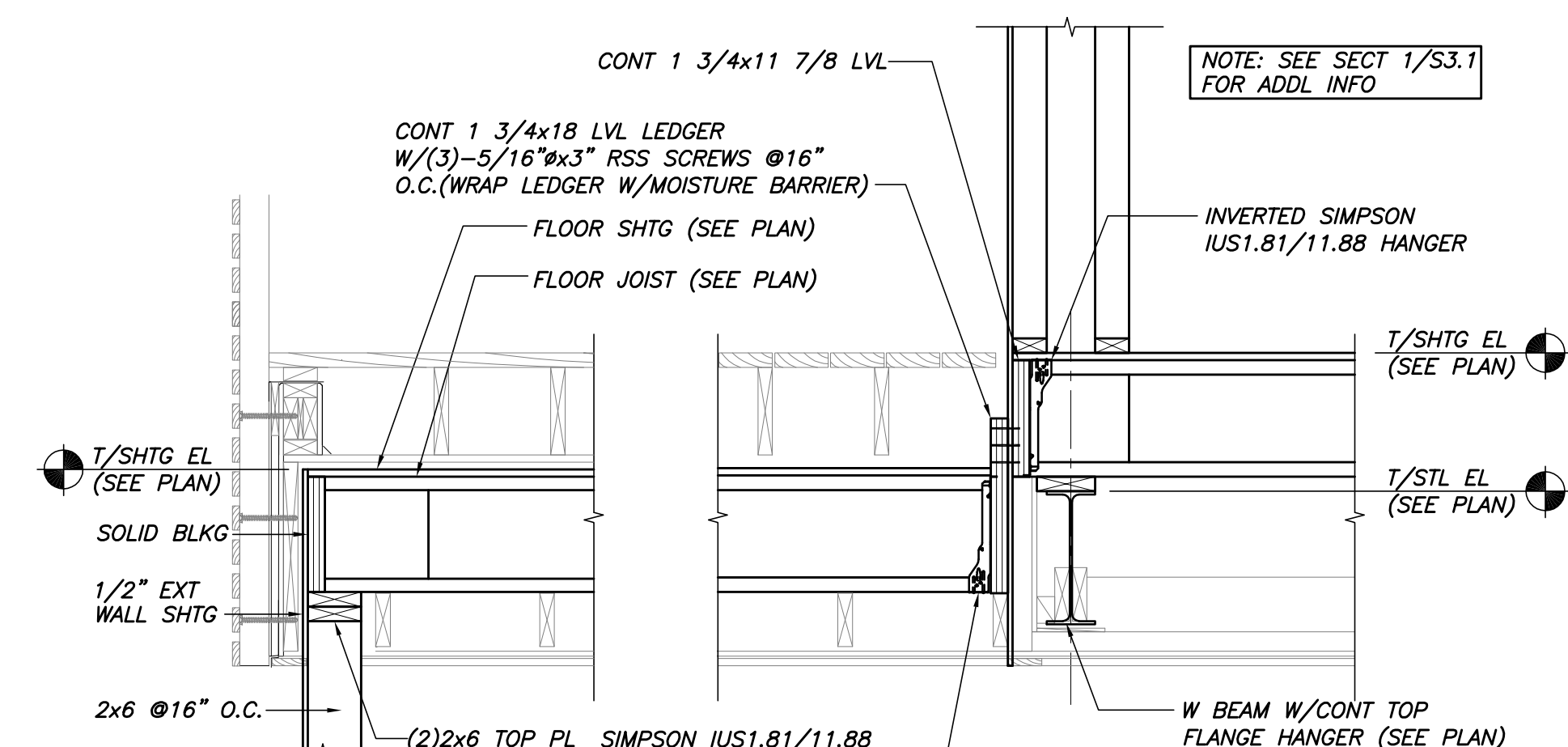
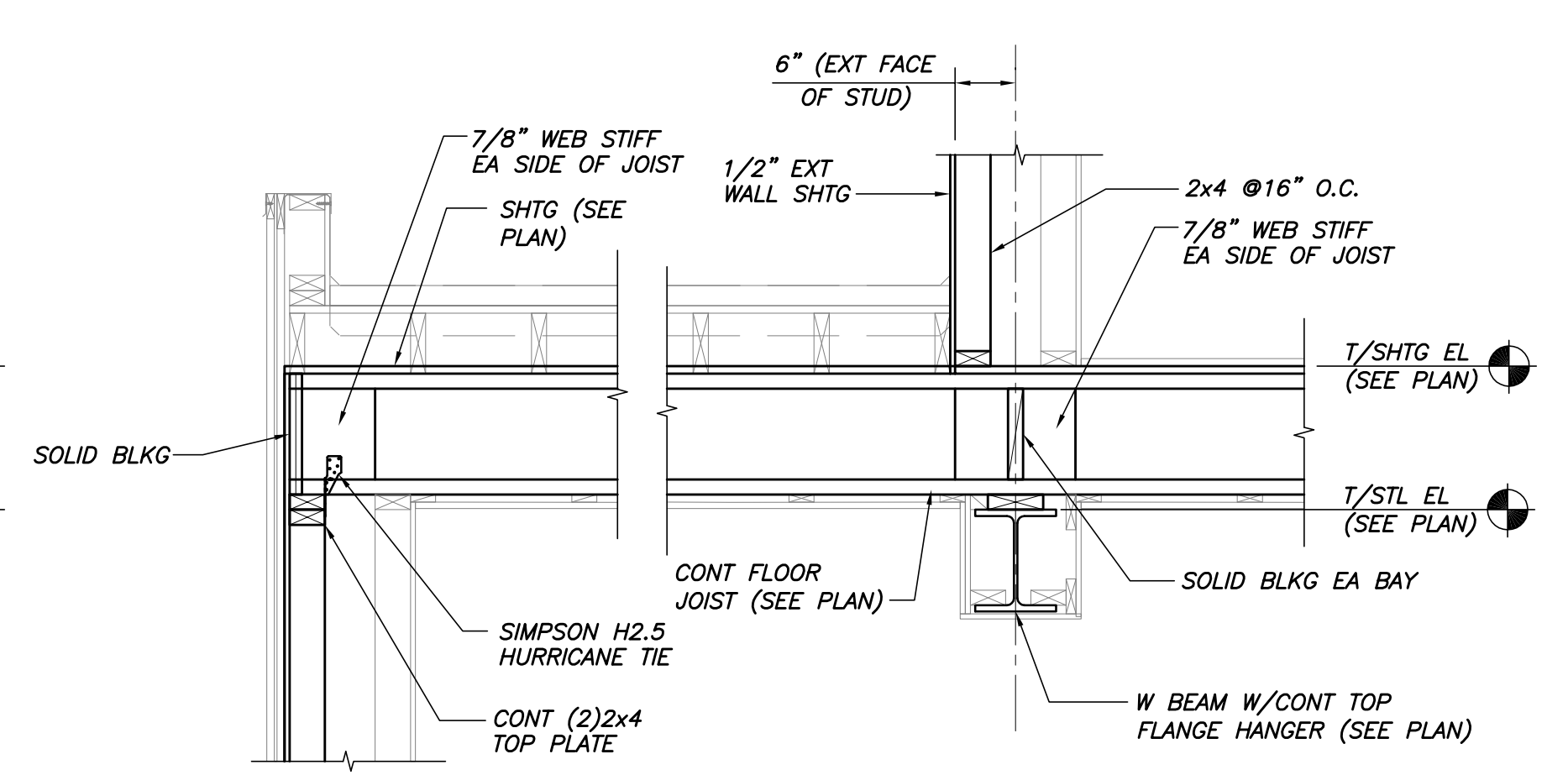


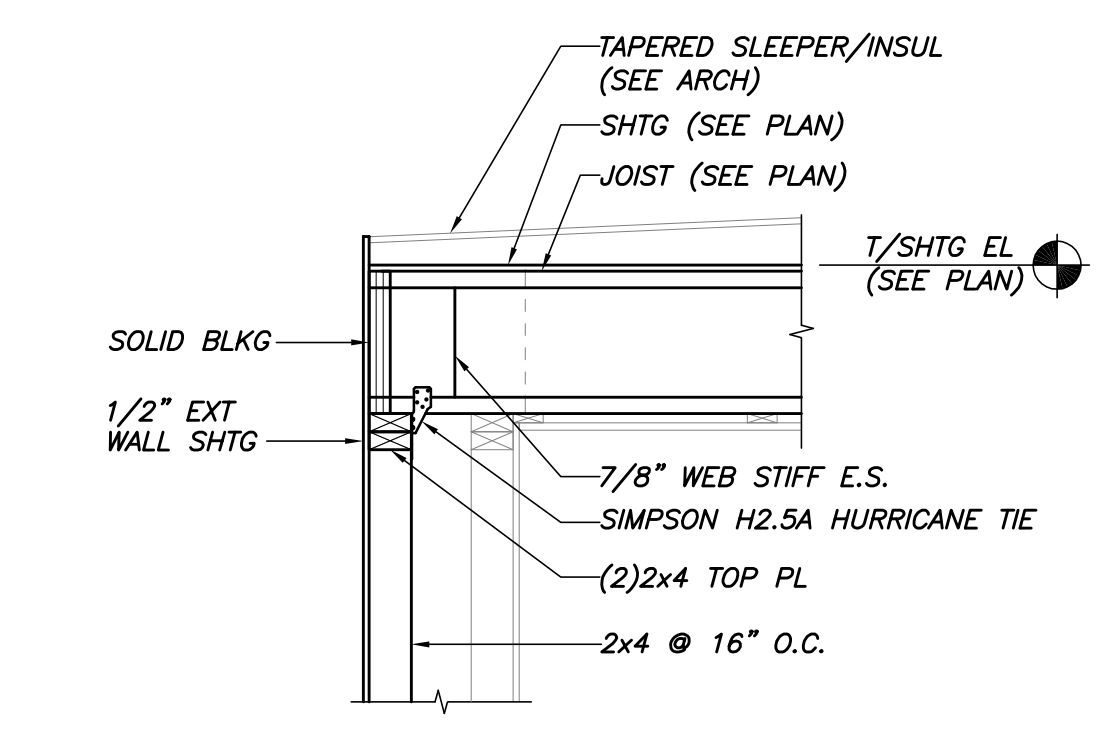
SECTION 1
3/4"=1'-0"



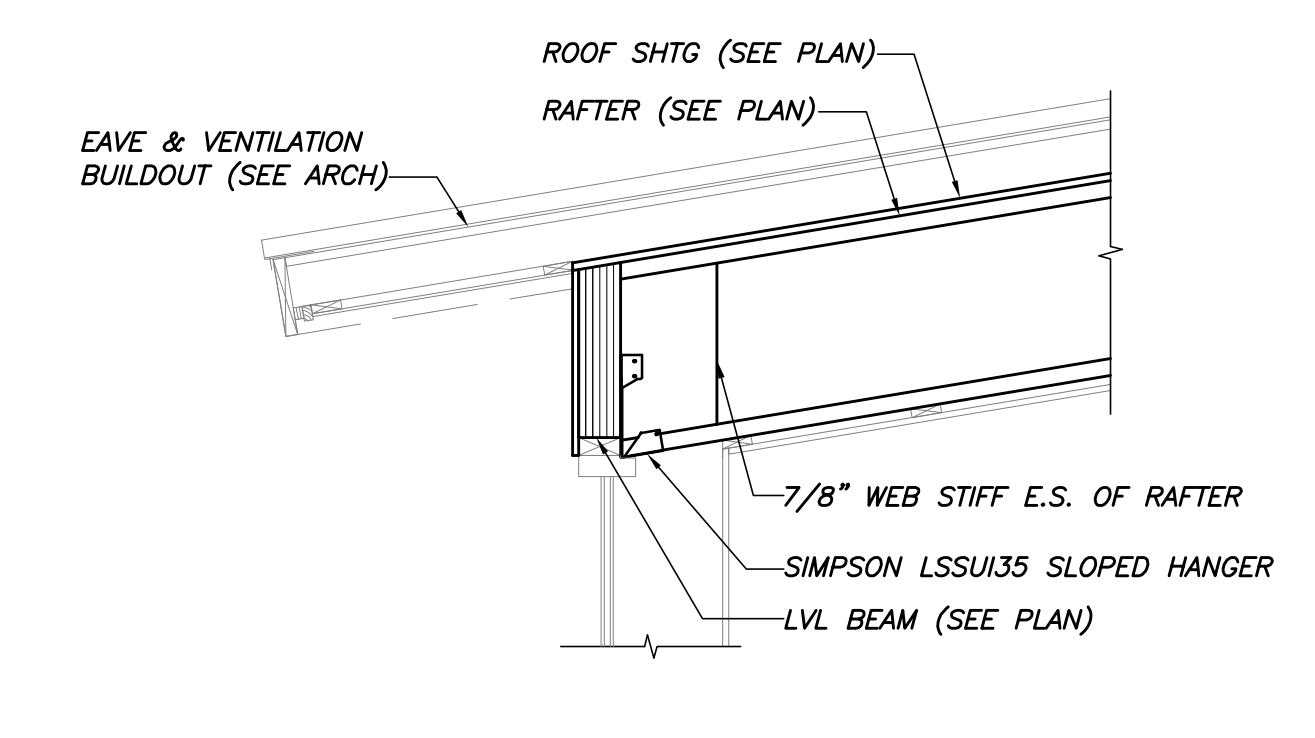
SECTION 2
3/4"=1'-0"



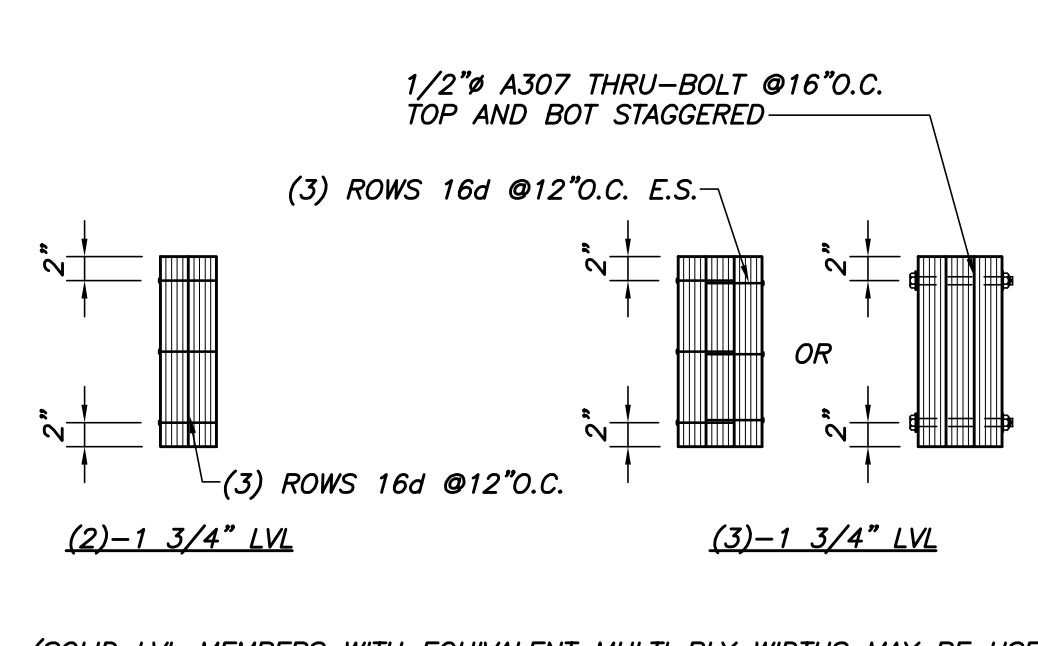
SECTION 3
3/4"=1'-0"



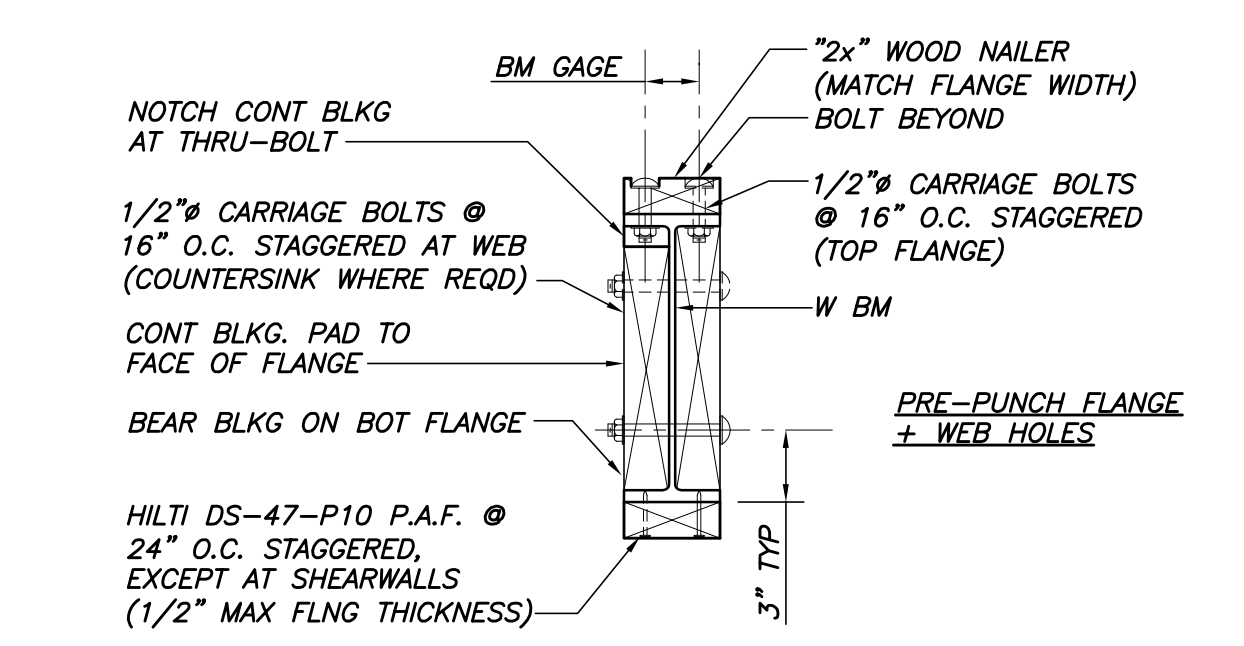
SECTION 4
3/4"=1'-0"



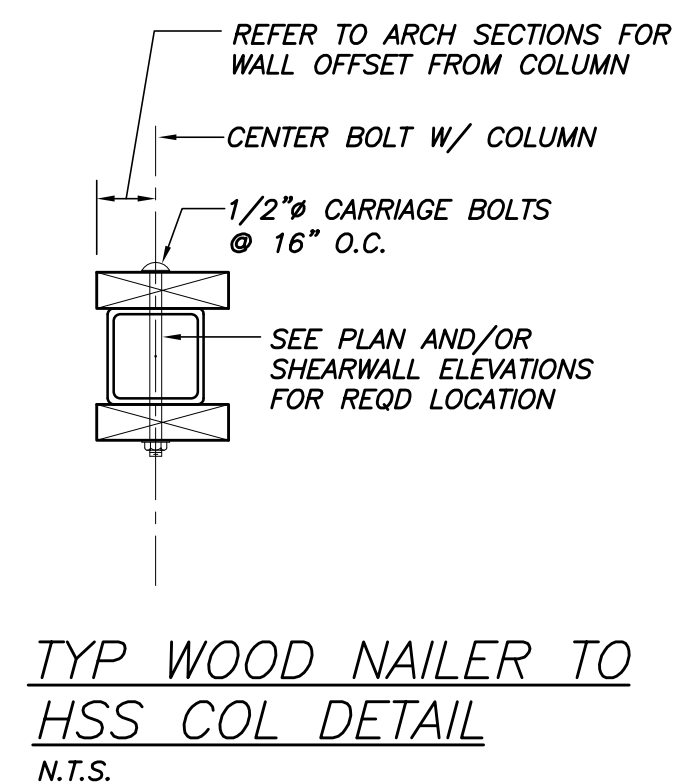
SECTION 5
3/4"=1'-0"



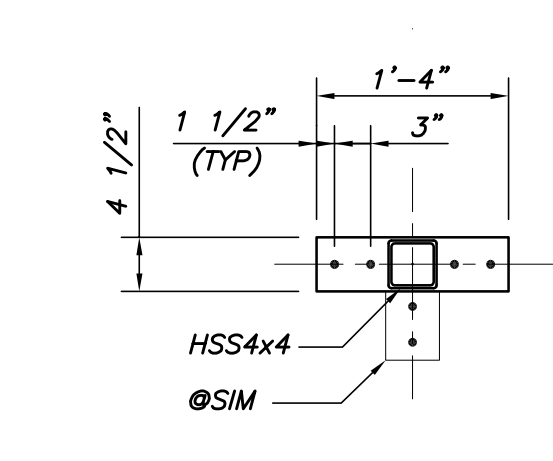
(SOLID LVL MEMBERS WITH EQUIVALENT MULTI PLY WIDTHS MAY BE USED)
TYP "BUILT-UP" LVL DETAIL, U.N.O.
N.T.S.



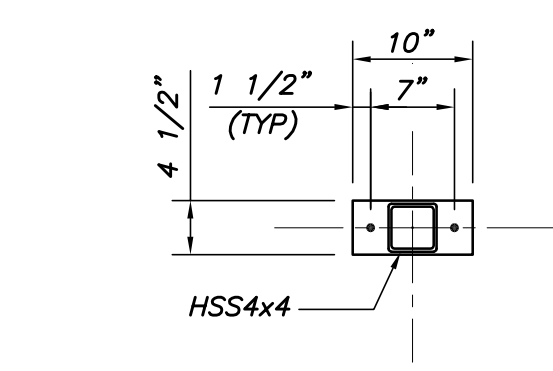
TYP WOOD NAILER/WEB BLKG TO W-BM DETAIL
N.T.S.



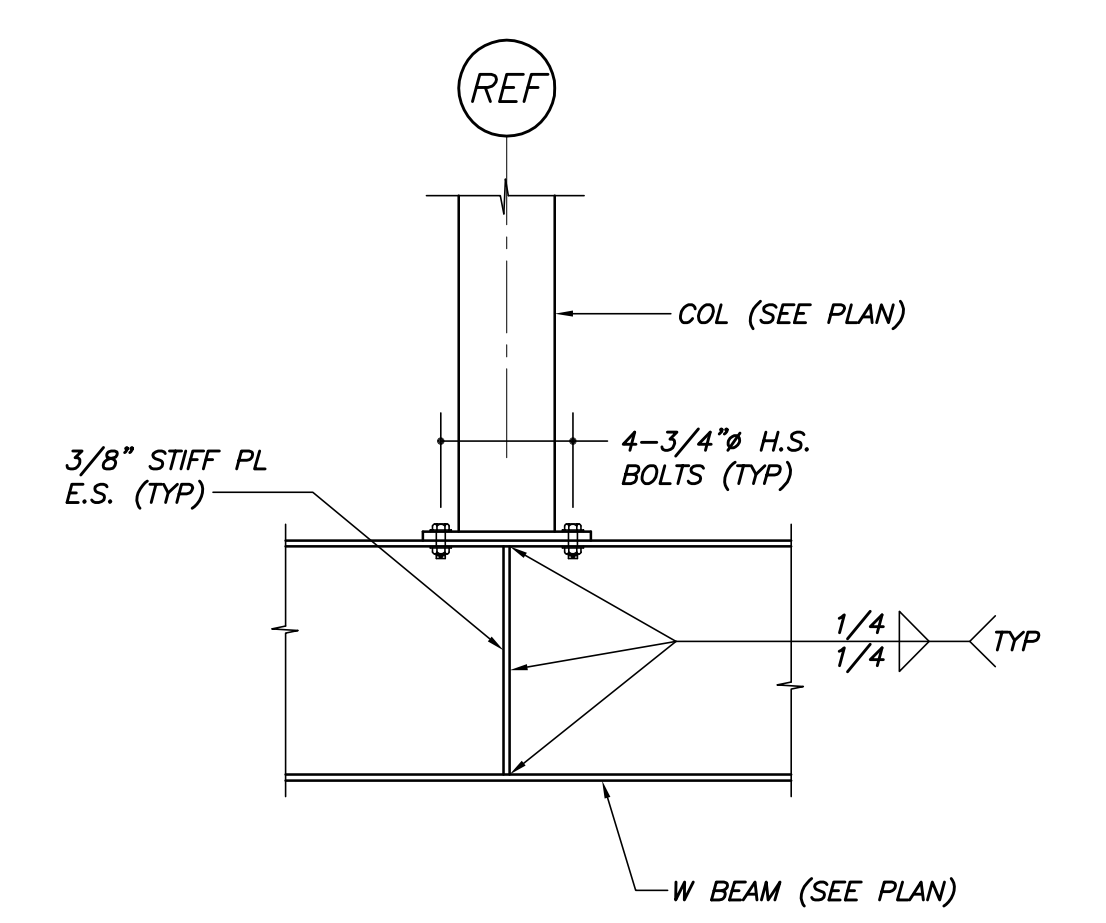
TYP WOOD NAILER TO HSS COL DETAIL
N.T.S.



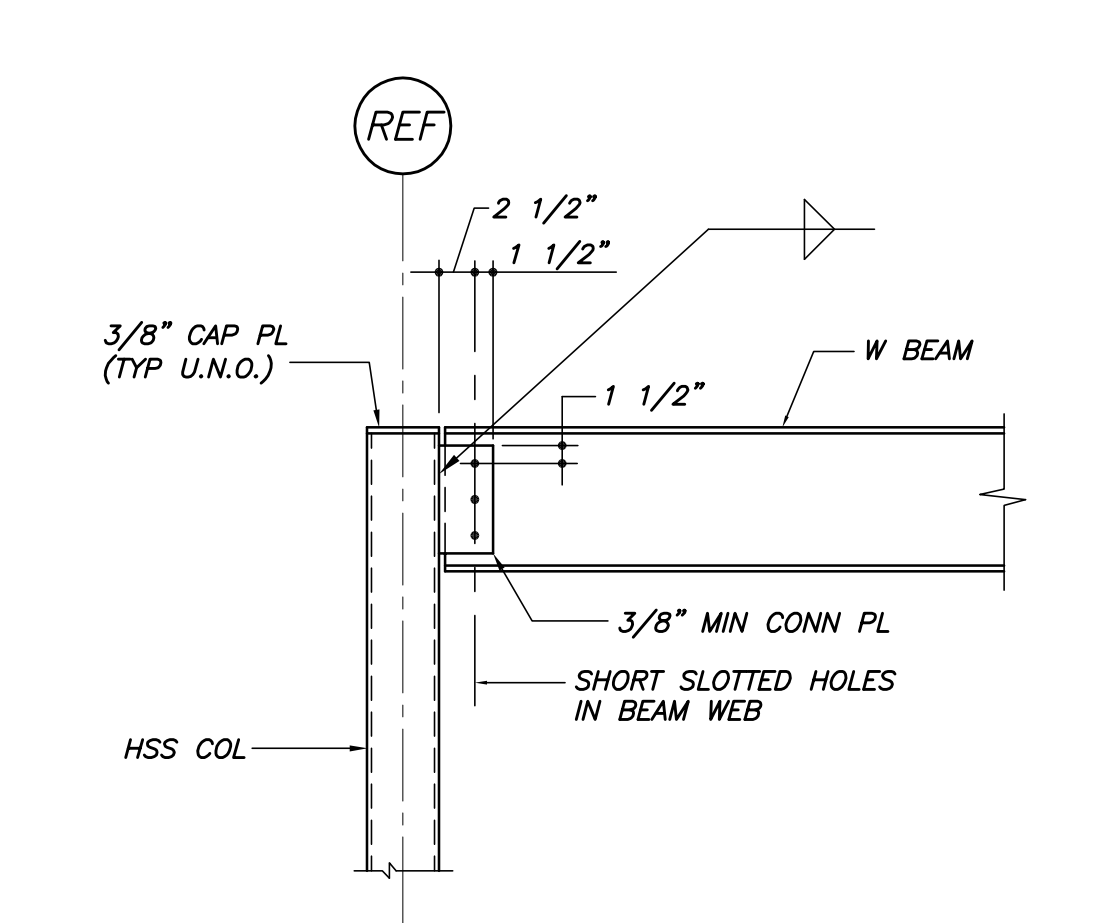
PL 3/4x4 1/2x0'-10" W/(2)-1 5/16" HOLES FOR (2)-3/4" GR 36 ANCHOR RODS W/9" EMBED & 5" PROJ
BP-1



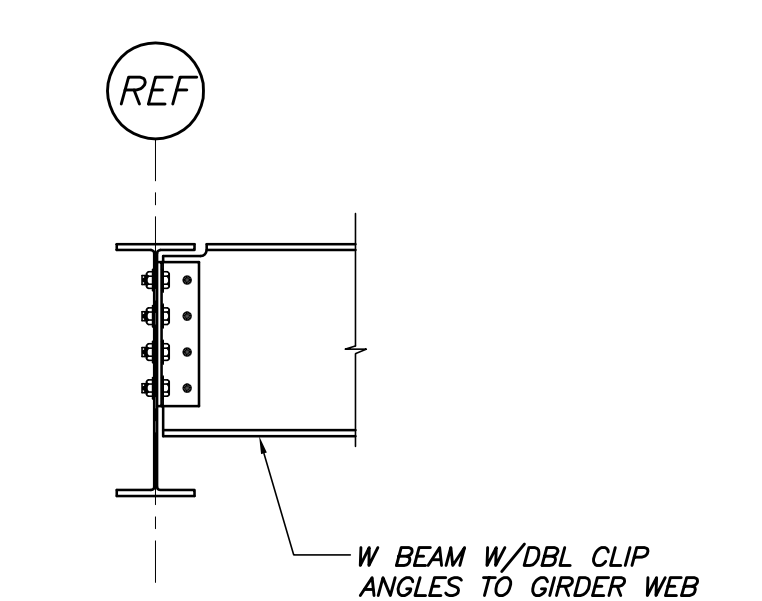
PL 3/4x4 1/2x0'-10" W/(2)-1 5/16" HOLES FOR (2)-3/4" GR 36 ANCHOR RODS W/9" EMBED & 5" PROJ
BP-2



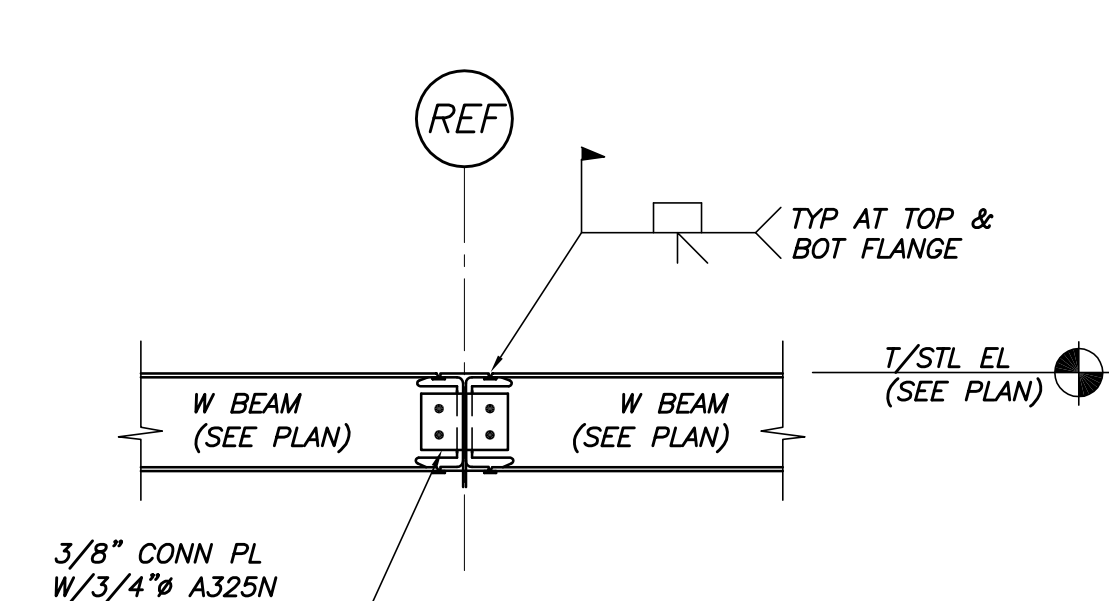
TYP COL TRANSFER DETAIL
N.T.S.



TYP BEAM TO HSS COL CONN U.N.O.
N.T.S.



TYP BEAM/BEAM CONN DETAIL
N.T.S.



TYP MOMENT CONN DETAIL
N.T.S.

NOT FOR CONSTRUCTION
PERMIT SET 10/3/2014

THESE DWGS ARE NOT COMPLETE.
DESIGN IS STILL IN PROGRESS.
CONTRACTOR SHALL CARRY
APPROPRIATE CONTINGENCY.

Approved For	
Date	
Rev No	

BRAMLEY/SIMMONS RESIDENCE
PORTLAND, ME
FOUNDATION DETAILS & SECTIONS

Designed	NRM	Scale	NOTED
Drawn	MSK	Date	10/3/14
Checked	PBB	Becker Job Number	3354

S3.1

THIS DRAWING IS AN INSTRUMENT OF SERVICE AND SHALL REMAIN THE PROPERTY OF BECKER STRUCTURAL ENGINEERS INC. IT SHALL NOT BE REPRODUCED, COPIED, LENT, OR DISPOSED OF DIRECTLY OR INDIRECTLY, NOR USED FOR ANY PURPOSE OTHER THAN FOR WHICH IT IS SPECIFICALLY FURNISHED AND MUST BE RETURNED TO BECKER STRUCTURAL ENGINEERS INC. ON COMPLETION OF WORK, IF REQUESTED.