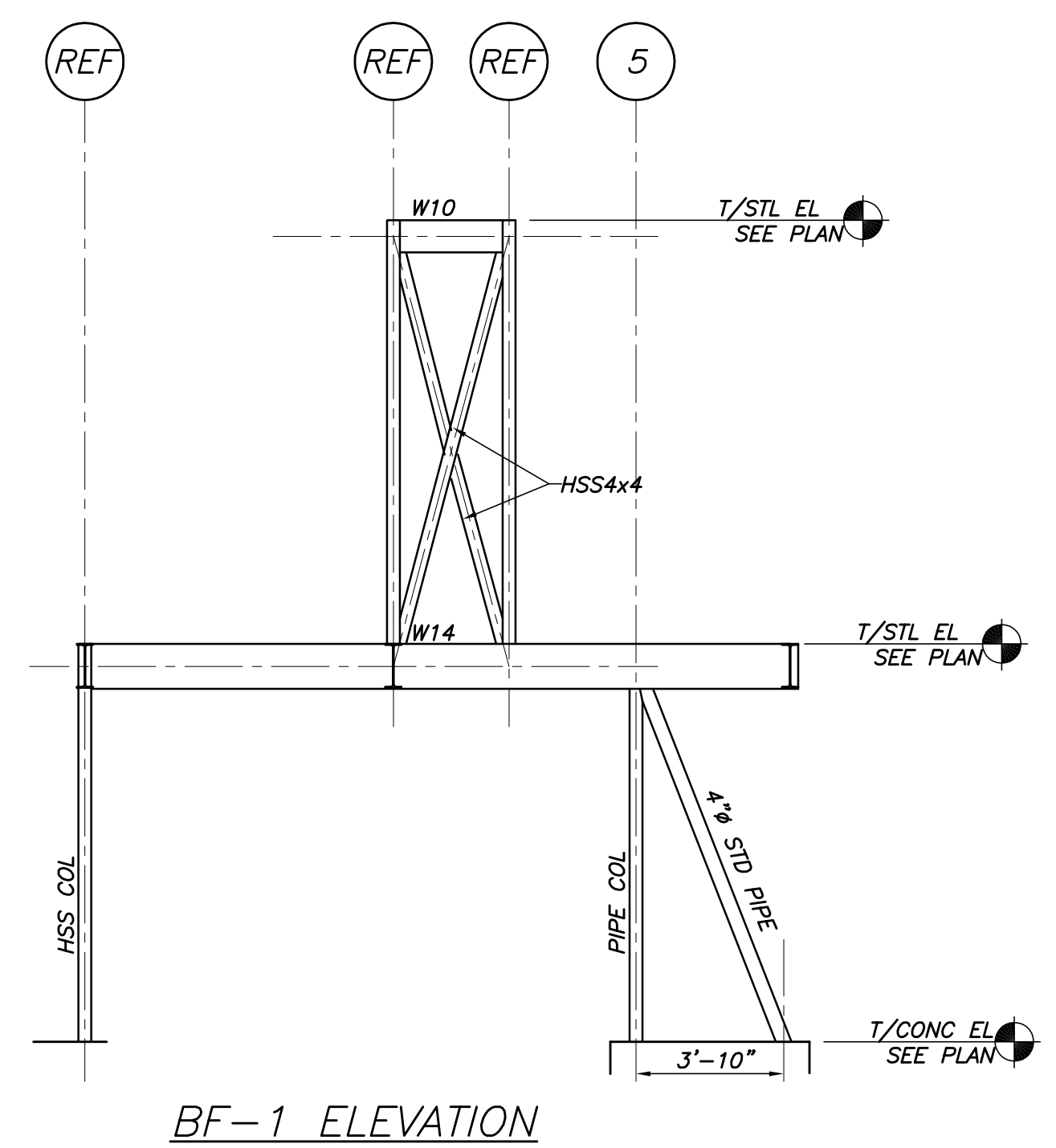


FOUNDATION PLAN
1/4"=1'-0"

FOOTING SCHEDULE		
MARK	SIZE	REINF
F3	3'-0"x3'-0"x1'-0"	4#5 E.W.B.
F4	4'-0"x4'-0"x1'-0"	5#5 E.W.B.
F47	4'-0"x7'-0"x1'-0"	5#5 L.W.B. & 8#5 S.W.B.

- NOTES:
1. TOP OF FOOTING EL 96'-0" U.N.O.
 2. TOP OF WALL EL 100'-0" U.N.O.
 3. BP- INDICATES STEEL BASE PL, SEE DETAILS ON S3.1.
 4. P- INDICATES CONC PIER, SEE DETAIL ON S2.1
 5. F- INDICATES SPREAD FOOTING, SEE SCHEDULE THIS DWG.
 6. BF- INDICATES STEEL BRACED FRAME, SEE ELEVATION THIS DWG.



BF-1 ELEVATION

NOT FOR CONSTRUCTION
PERMIT SET 10/3/2014
THESE DWGS ARE NOT COMPLETE.
DESIGN IS STILL IN PROGRESS.
CONTRACTOR SHALL CARRY
APPROPRIATE CONTINGENCY.

Approved	
Issued For	
Date	
Rev. No	

BRAMLEY/SIMMONS RESIDENCE
PORTLAND, ME
FOUNDATION PLAN

Designed	NRM	Scale	NOTED
Drawn	MSK	Date	10/3/14
Checked	PBB	Becker Job Number	3354

S1.1

THIS DRAWING IS AN INSTRUMENT OF SERVICE AND SHALL REMAIN THE PROPERTY OF BECKER STRUCTURAL ENGINEERS INC. IT SHALL NOT BE REPRODUCED, COPIED, LENT, OR DISPOSED OF DIRECTLY OR INDIRECTLY, NOR USED FOR ANY PURPOSE OTHER THAN FOR WHICH IT IS SPECIFICALLY FURNISHED AND MUST BE RETURNED TO BECKER STRUCTURAL ENGINEERS INC. ON COMPLETION OF WORK, IF REQUESTED.