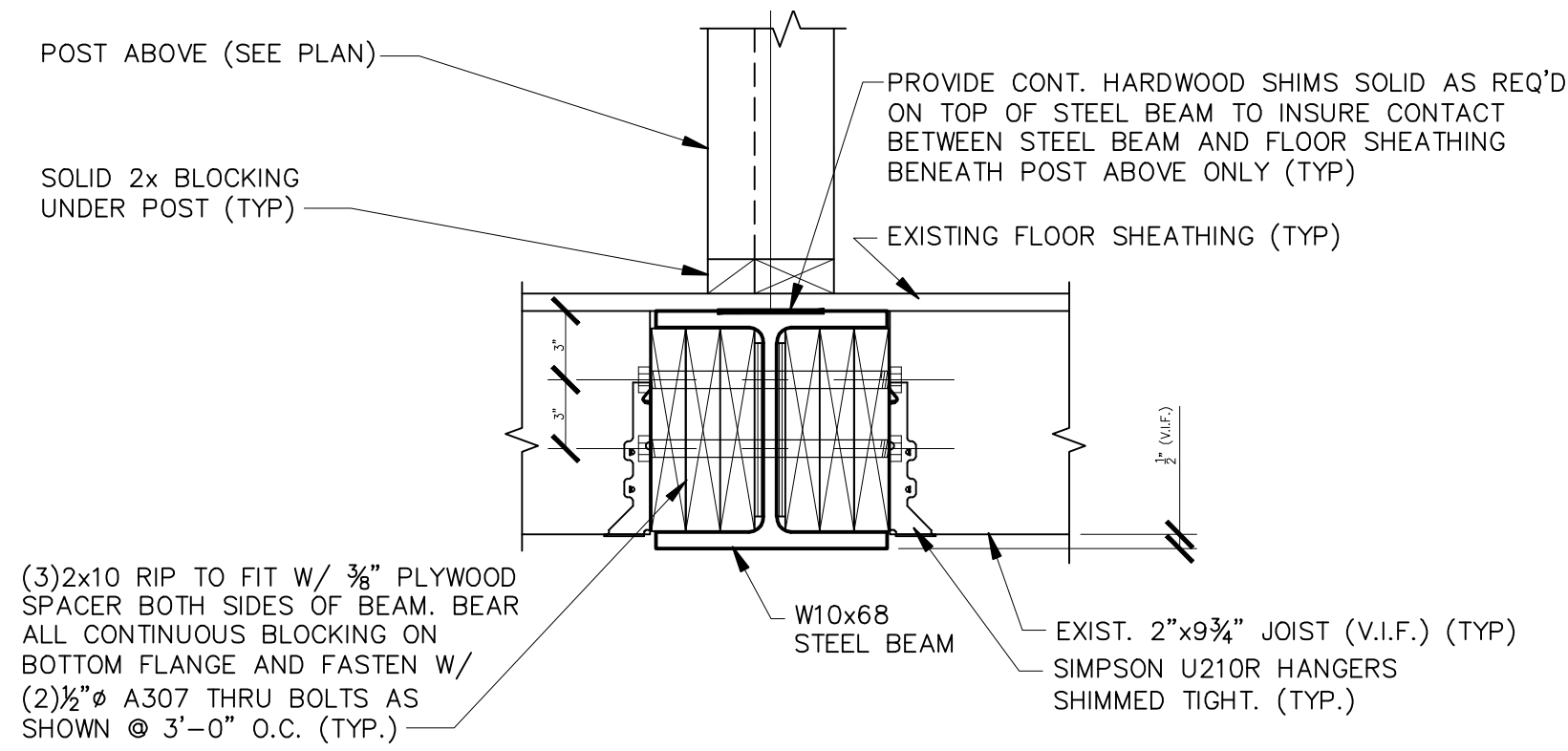
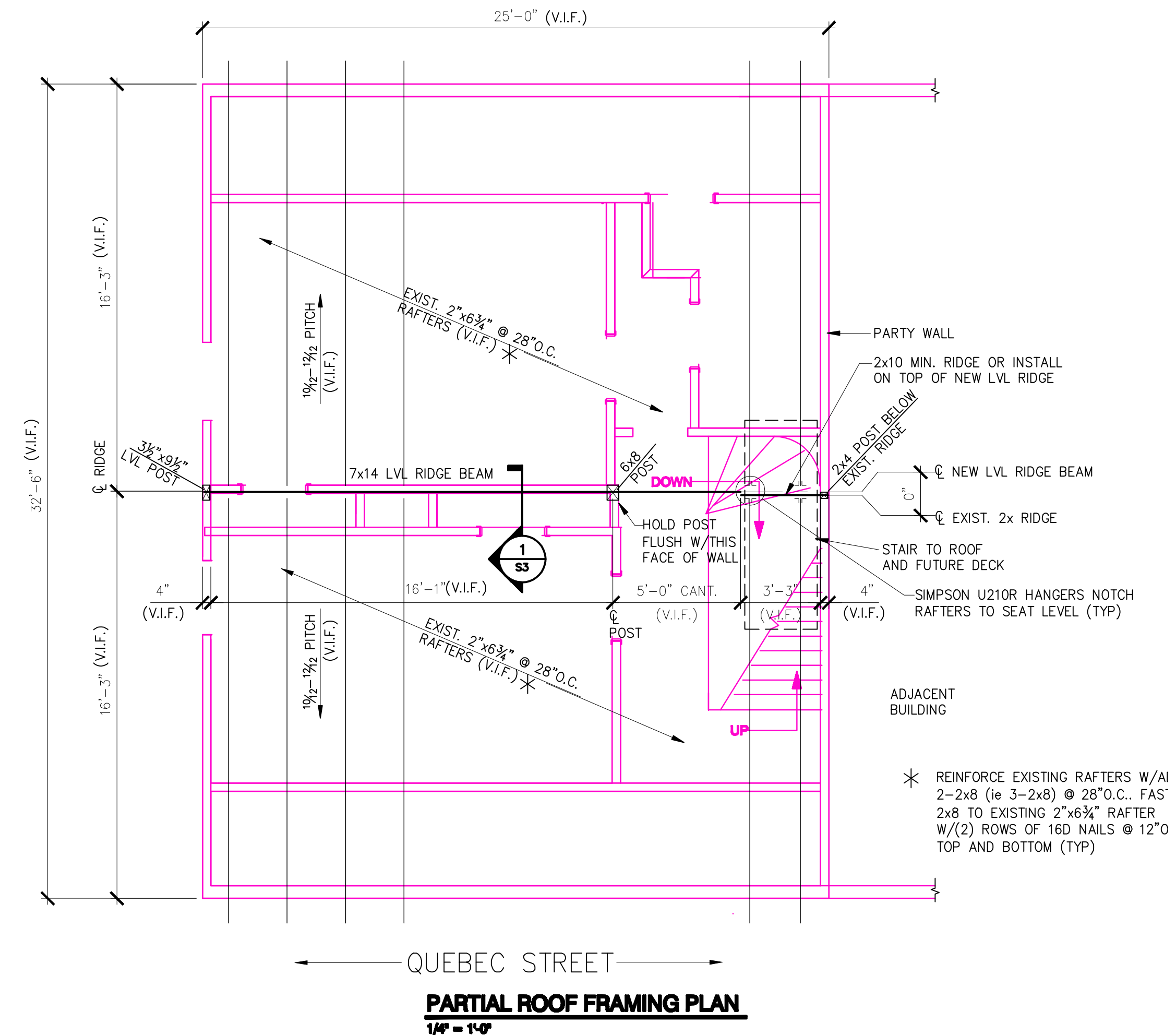


**SECTION 1**  
1 1/2" = 1'-0"



**SECTION 2**  
1 1/2" = 1'-0"



**L & L STRUCTURAL ENGINEERING SERVICES, INC.**  
SIX O. STREET  
SOUTH PORTLAND, MAINE 04106  
PHONE: (207) 767-4830  
FAX: (207) 799-5432



designed by: JHL	description	date	rev.
drawn by: AKB	FOR PRICING & PERMIT ONLY	4-29-11	A
checked by: JHL			
scale: AS NOTED			
date: 4-29-11			
plot date: 4-29-11			
project #: 2011-046			

**67 QUEBEC STREET**  
PORTLAND, MAINE  
PARTIAL ROOF FRAMING PLAN, SECTIONS & DETAILS

**S3**

THESE DRAWINGS HAVE BEEN DEVELOPED BY L&L STRUCTURAL ENGINEERING SERVICES, INC. FOR THE TITLED SET ONLY. THE DRAWINGS ARE THE SOLE PROPERTY OF L&L ENGINEERING SERVICES, INC. AND THEY SHALL NOT BE USED, LENT, COPIED OR ALTERED WITHOUT THE WRITTEN CONSENT OF L&L STRUCTURAL ENGINEERING SERVICES, INC.