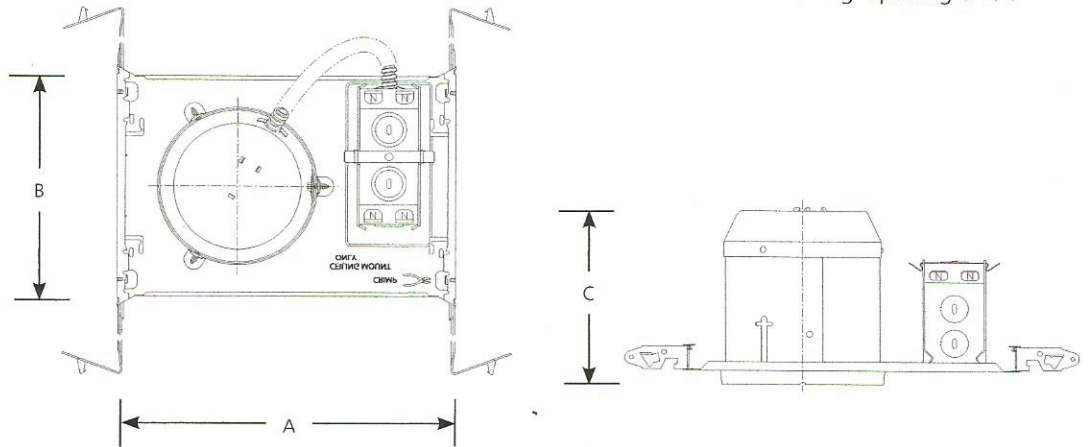


Type \_\_\_\_\_

P84-LED



Catalog No.	Lamping	Dimensions (Inches)		
		A	B	C
P84-LED	See Trim Specifications	7-7/8	10-3/4	5-1/2
		Ceiling Opening 5-1/4		



The P84-LED IC rated, new construction recessed can is designed specifically for use with P8061 Series LED trims (purchased separately). The integral quick link connector provides electrical connection to the trim in place of a traditional Edison base socket. The P84-LED in conjunction with the P8061 series LED trims is a high efficacy luminaire compliant with California Title 24 requirements for recessed lighting. Marked for 15W maximum input power, the P84-LED is also a great option where lighting power densities limit allowable W/ft<sup>2</sup>.

Title 24 Lighting

**Specifications:**

Wiring

- Universal J-box with snap-out sides
- Removable housing for field inspection of wiring
- Grounding pigtail
- Integral knock out free Romex clamps
- 1/2" & 3/4" knock outs for rigid conduit or BX fittings

- Captive
- 90-degree mounting for tight spaces

Labeling

- IC rated
- UL-CUL Listed for damp location and through branch wiring
- Complies with Washington State Energy Code (WSEC) requirement for air-tight

Construction

- Shallow housing for 2X6 construction
- Notched housing for chalkline alignment
- Housing adjusts from 1/2" to 1-1/2" thick ceilings
- Full wrap-around plaster frame

Lamp/Trim

- P84-LED is designed for use with P8061 series LED trims (sold separately)

Bar Hangers

- Integral nailers for wood joist construction
- Integral T-bar mounting clamps
- Inter-connected to securely span 24" spacing
- Lock to secure housing

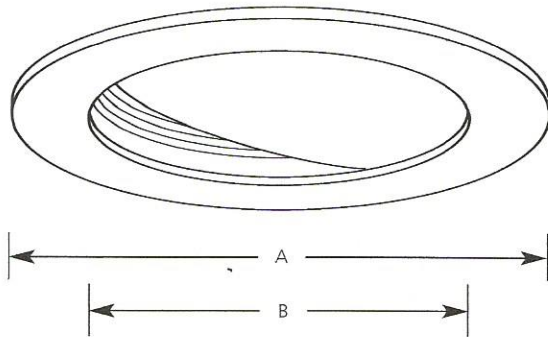
Progress Lighting  
701 Millennium Blvd.  
Greenville, South Carolina  
29607

www.progresslighting.com

Rev. 07/16

Type \_\_\_\_\_  
 -09 -31  
 P8047

Catalog No.	Finish		Dimensions (Inches)	
	Brushed Nickel	Black	A	B
P8047	-09	-31	5	3-1/2



**Lamp Wattage**

Housing	IC	Non-IC
P831-AT	40w PAR16,35w R20/PAR20	40w PAR16,35w R20/PAR20
P830-TG	40w PAR16,35w R20/PAR20	40w PAR16,35w R20/PAR20
P832-TG	40w PAR16,35w R20/PAR20	40w PAR16,35w R20/PAR20

**Specifications:**

Flange

- Bright white powdered painted metal flange
- No light leaks around trim flange
- Covers irregular ceiling openings

Labels

- UL-CUL damp location listed

Trim

- Steel construction
- Push-in Leaf Spring installation
- Lamp tilts 20 degrees., 360-degree positioning
- Black internal baffle
- Socket mounts to trim for optimum performance and consistent lamp position
- Bright white powdered painted eyelid

**4" Wall Washer**

Report No. 98252

No. Lamps: 1    Type: 30R20    Lumens: 300

Reflectances: 80% Ceil., 50% Wall, 20% Floor

**INITIAL FOOTCANDLE READINGS**
**Two Feet from Wall**

Dist. from Ceiling	Two Foot Centers		Three Foot Centers		
	Fixture	Fixture	Fixture	Fixture	Fixture
1	0.5	0.5	0.5	0.5	0.5
2	0.9	0.9	0.8	0.8	0.8
3	1.5	1.5	1.1	1.2	1.1
4	1.5	1.5	1.0	1.1	1.0
5	1.3	1.3	0.9	1.0	0.9
6	1.1	1.1	0.8	0.9	0.8
7	1.0	1.0	0.7	0.8	0.7
8	0.9	0.9	0.6	0.7	0.6
9	0.8	0.8	0.6	0.7	0.6

**Three Feet from Wall**

Dist. from Ceiling	Three Foot Centers			Four Foot Centers		
	Fixture	Fixture	Fixture	Fixture	Fixture	Fixture
1	0.2	0.2	0.2	0.2	0.2	0.2
2	0.3	0.3	0.3	0.3	0.3	0.3
3	0.4	0.5	0.4	0.4	0.4	0.4
4	0.6	0.7	0.6	0.5	0.6	0.5
5	0.7	0.8	0.7	0.6	0.6	0.6
6	0.6	0.8	0.6	0.6	0.6	0.6
7	0.6	0.7	0.6	0.5	0.6	0.5
8	0.6	0.7	0.6	0.5	0.6	0.5
9	0.6	0.7	0.6	0.5	0.6	0.5





Nickel Finish



Oil-Rubbed Bronze Finish



Brass Finish

### Specifications

Cover Size: 4<sup>3</sup>/<sub>4</sub>" diameter

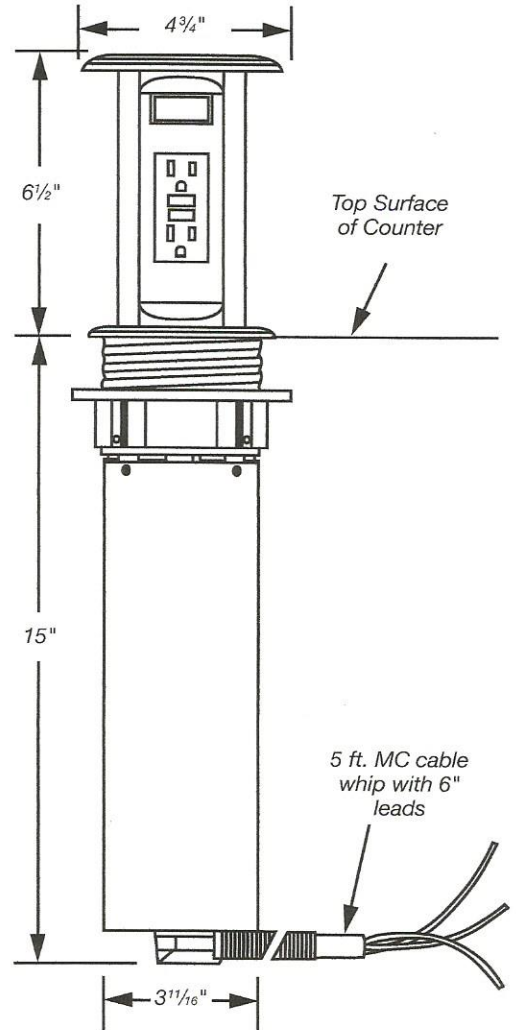
Mounting Hole: 3<sup>3</sup>/<sub>4</sub>" Diameter

Outlet: (1) duplex tamper-resistant GFCI receptacle —  
15A, 125VAC, 60Hz,  
20A Feed-Through

MC Cable Whip: 12/2 with ground wire,  
5' long with 6" leads

- Listings/Compliances:
- UL® 943
  - CSA C22.2 No. 144.1
  - NEC® Article 210.52(C)(5)
  - NEC® Article 406.5(E)

*NEC is a registered trademark of the National Fire Protection Association, Inc.*



## Carlton® Recessed Pop-Up Receptacle

Cat. Number	Description	Std. Pkg. Qty.	UPC Number
KPR-15G-NKL	Recessed Pop-Up Receptacle with Duplex GFCI and Nickel Finish Cover	1	034481-00981
KPR-15G-BRZ	Recessed Pop-Up Receptacle with Duplex GFCI and Oil-Rubbed Bronze Finish Cover	1	034481-00982
KPR-15G-BRS	Recessed Pop-Up Receptacle with Duplex GFCI and Brass Finish Cover	1	034481-00983

Please ask your Thomas & Betts sales representative for a complete catalog of quality Thomas & Betts electrical products or visit us at [www.tnb.com](http://www.tnb.com). For customer service, call 1-800-816-7809. For technical questions, call 1-888-862-3289.

© 2011 Thomas & Betts Corporation. All rights reserved. Printed in the U.S.A.  
8/11/7.5M GM-8314

**Thomas & Betts Corporation**  
Electrical Division  
8155 T&B Boulevard  
Memphis, TN 38125  
901-252-5000  
[www.tnb.com](http://www.tnb.com)

**Thomas & Betts**



Cap for Non Light Use (incl)

Image File Name:

F593-ORB--  
1377184850.jpg

Item #: <b>F593-ORB</b>	UPC Code: 706411039867
Product Family Name: <b>Traditional Concept™</b>	Finish: <b>Oil Rubbed Bronze</b>
Category: <b>Exterior Fan</b>	Category Type: <b>Ceiling Fan</b>
Certification <b>E75795</b>	
Patents	
Notes:	



## MEASUREMENTS

Blade Finish:	Reversible Blades:		
	<b>No</b>		
Blade Material:	Slope:		
<b>ABS CONSTRUCTION</b>	<b>No</b>		
Blade Sweep:	No. of Blades:	Blade Pitch:	Hanging Weight:
<b>44</b>	<b>3</b>	<b>14 DEGREES</b>	<b>18.74</b>
Downrod 1:	Downrod 1 Outside Dia:	Downrod 2:	Downrod 2 Outside Dia:
Ceiling to Lowest Point: (Dim A)	Ceiling to Blade: (Dim B)	Lead Wire:	Motor Size:
<b>11.00</b>	<b>7.50</b>	<b>8</b>	<b>153x17mm</b>

	Low:	Low/Med:	Medium:	Med/High:	High:
<b>RPM:</b>	105		160		221
<b>Amps:</b>	0.28		0.37		0.41
<b>Watts:</b>	13.600		27.700		49.400
<b>CFM:</b>	2166.14		3521.38		4940.08
<b>CFM/Watts:</b>	159.28		127.13		100.00



## FAN CONTROLS

Pull Chain Control:	Works with Remote Control:	Works with Wall Control:
<b>No</b>	<b>Yes</b>	<b>Yes</b>
	Included Remote Control:	Included Wall Control:
		<b>WCS212</b>
	Compatible Remote Control[s]:	Compatible Wall Control[s]:
	<b>RCS212</b>	

## LAMPING

No. of Bulbs:	Light Type:			
<b>1</b>	<b>Mini-Can Halogen</b>			
Max Bulb Wattage:	Socket:			
<b>100</b>	<b>E11</b>			
Light Kit:	Dimmable:	Ballast:	Rated Life Hours:	Uplight
<b>Yes</b>	<b>Yes</b>			
Lamp Included:	Color Temp.:	CRI:	Initial Lumens:	Delivered Lumens:
<b>Yes</b>				

## GLASS

Description:	Material:	
	<b>Glass</b>	
Part No.:	Quantity:	
<b>GE593-1</b>	<b>1</b>	
Width:	Height:	Length:



## SHIPPING

Carton Width:	Carton Height:	Carton Length:	
<b>13.000</b>	<b>12.880</b>	<b>23.750</b>	
Carton Weight:	Carton Cubic Feet:	Small Package Shippable:	
<b>22.000</b>	<b>2.301</b>	<b>Yes</b>	
Master Pack Width:	Master Pack Height:	Master Pack Length:	
Master Pack Weight:	Master Cubic Feet:	Multi-Pack:	Master Pack:
			<b>1</b>



Wet Location

Yes



Title 17

Yes



UL Listed

Yes

DATE: \_\_\_\_\_ TYPE: \_\_\_\_\_

NAME: \_\_\_\_\_

PROJECT: \_\_\_\_\_

Linear fluorescent

# P7264-30EB

## Modular Fluorescent

White vinyl on metal. White acrylic diffuser. Surface mounted white chassis recessed within trim and standard electronic 120V HPF ballast.

Category: Modular Fluorescent

Finish: White

Construction:

Glass: White acrylic diffuser

Width: 16"  
Length: 49"  
Height: 4-1/2"

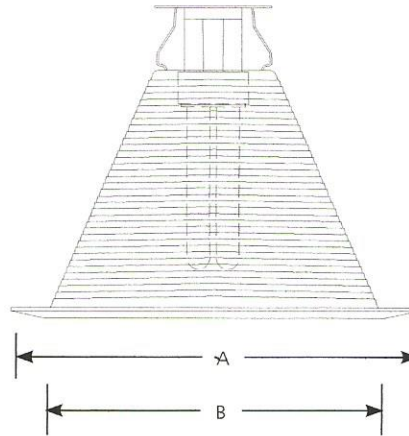
Glass: 48-13/16"  
Height: 15-13/16"

MOUNTING	ELECTRICAL	LAMPING	ADDITIONAL INFORMATION
Ceiling mounted	Pre-wired  120V HPF electronic  120V	Quantity: 4 32W F32T8  Bi-pin twist-in lamp holders	UL-CUL  1 year warranty  Companion fixtures are available



Type \_\_\_\_\_  
-09 -14 -28 -31 -36 -20  
P8066

Catalog No.	Finish						Dimensions (Inches)	
	Brushed Nickel	Brushed Copper	White	Black	Chestnut	Antique Bronze	A	B
P8066	-09	-14	-28	-31	-36	-20	7-3/4	6-11/32



**Lamp Wattage**

Housing	IC	Non-IC
P83-AT	13w 4-pin Quad/Triple-tube CF	13w 4-pin Quad/Triple-tube CF
P83-ICAT	13w 4-pin Quad/Triple-tube CF	13w 4-pin Quad/Triple-tube CF
P88-ICAT	18w 4-pin Quad/Triple-tube CF	18w 4-pin Quad/Triple-tube CF
P183-EB	13w 4-pin Triple-tube CF	13w 4-pin Triple-tube CF
P83-26ICAT	26w 4-pin Triple-tube CF	26w 4-pin Triple-tube CF
P62-FB	N/A	26 or 32w 4-pin Triple-tube CF

**Specifications:**

Flange

- Bright white powdered painted metal flange
- Integral to trim
- No light leaks around trim flange
- Covers irregular ceiling openings
- Nickel and Copper flange is brushed in same finish
- Flange on Chestnut and Antique matches interior finish

Trim

- One-piece aluminum construction
- White and Black finishes are powder coated
- Nickel and Copper finishes are anti-iridescent anodized
- Trim-Lok action forces trim to fit snugly against the ceiling
- Socket mounts to trim for optimum performance and consistent lamp position
- Multi-groove baffle

Lamps

- Maximum overall length of lamp cannot exceed 5.5" (5-1/2")
- Available are: GE -F26TBX, Phillips PLT26, Sylvania CF26 or 32DT, or Progress 7808-01 (26w)

Labels

- UL-CUL damp location listed

DATE: \_\_\_\_\_ TYPE: \_\_\_\_\_

NAME: \_\_\_\_\_

PROJECT: \_\_\_\_\_

Halogen

# P5203-20

## Par Lampholder

Two painted adjustable swivel floodlights. All aluminum.

Category: Outdoor

Finish: Antique Bronze (painted)

Construction: Aluminum construction



Diameter: 6-1/4"

Length: 22-1/2"

Height: 11-5/16"

MOUNTING	ELECTRICAL	LAMPING	ADDITIONAL INFORMATION
Wall mounted 4-13/16" dia.	Pre-wired 6" of wire supplied 120V	Quantity: 2 150W PAR-38 Medium porcelain sockets	UL-CUL Wet location listed 1 year warranty Companion fixtures are available





DATE: \_\_\_\_\_ TYPE: \_\_\_\_\_

NAME: \_\_\_\_\_

PROJECT: \_\_\_\_\_

Compact fluorescent

# P3883-31WB

## Westport CFL

Add a touch of rustic appeal with beaded detailing in the Westport CFL collection. Etched seeded glass compliments the durable powder coat finish in die-cast aluminum frames. Energy Star. Bulb included. One-light CFL close-to-ceiling.

**Category:** Outdoor

**Finish:** Black (powdercoat)

**Construction:** Die-cast aluminum construction


**Glass:** Frosted seeded glass

**Diameter:** 9-1/8"

**Height:** 10-1/4"

**Glass:** 7" dia.

**Height:** 5-3/4"

MOUNTING	ELECTRICAL	LAMPING	ADDITIONAL INFORMATION
Ceiling flush mounted Mounting strap for outlet box included Unit covers a standard 4" hexagonal recessed outlet box 9" dia., 1" depth	Pre-wired 6" of wire supplied 120V	Quantity: 1 13W GU-24 (included) GU24 plastic socket	cCSAus Damp location listed 1 year warranty Companion Chain hung lantern, Post top lantern, Wall lantern fixtures are available 

DATE: \_\_\_\_\_ TYPE: \_\_\_\_\_

NAME: \_\_\_\_\_

PROJECT: \_\_\_\_\_

Incandescent

# P2046-20

## Compass

Find your frame of reference with the Compass collection. Distinguished by crisp, linear elements that both contrast and cradle opal glass shades, this one-light wall bracket offers pleasing illumination. Whether your style is modern or you simply prefer a style that is elegantly simple, Compass provides a sophisticated accent to your home's decor.

Category: Bath & Vanity

Finish: Antique Bronze (painted)

Construction: Steel construction

Glass: Etched white glass shade



Width: 4-1/2"  
Height: 11-5/8"  
Depth: 6"  
H/CTR: 7-5/8"

Glass: 4" dia.  
Height: 4-13/16"

MOUNTING	ELECTRICAL	LAMPING	ADDITIONAL INFORMATION
<p>Wall mounted</p> <p>Mounting strap for outlet box included</p> <p>Back plate covers a standard 4" hexagonal recessed outlet box</p> <p>4-1/2" W., 8"</p>	<p>Threaded socket ring secures glass</p> <p>Pre-wired</p> <p>6" of wire supplied</p> <p>120V</p>	<p>Quantity: 1</p> <p>100W Medium Base</p> <p>Medium porcelain socket</p>	<p>UL-CUL Damp location listed</p> <p>1 year warranty</p> <p>Companion Bath and Vanity, Chandelier, Close-to-ceiling, Hall and Foyer, Pendant, fixtures are available</p>