

**EMERSON STREET RENOVATION**  
**NEW CONSTRUCTION**  
 23 EMERSON STREET | PORTLAND  
 BRYCE AVALLONE & PETER VALCOURT



**DEXTROUS CREATIVE**  
 PORTLAND, ME 04102  
 TRACIE REED, ARCHITECT  
 NCARB, AIA, LEED AP BD+C  
 traciereed@dextrouscreative.com  
 207.409.0459 (cell)

**GENERAL CONTRACTOR/OWNER REP.**

PETER VALCOURT  
 PETER.VALCOURT@YAHOO.COM  
 207.469.8494

**STRUCTURAL ENGINEER**

AL HODSON  
 RESURGENCE ENGINEERING  
 61 INDIA STREET, SUITE 7  
 PORTLAND, ME 04101  
 AL@RESURGENCEENGINEERING.COM  
 207.615.9985 (CELL)

**CARPENTERS**

CARL LITTLEFIELD  
 LITTLEFIELD & SON CONSTRUCTION  
 79 TOWN FARM RD  
 BUXTON, ME 04093  
 CARL.LITTLEFIELD@YAHOO.COM  
 207.929.6040

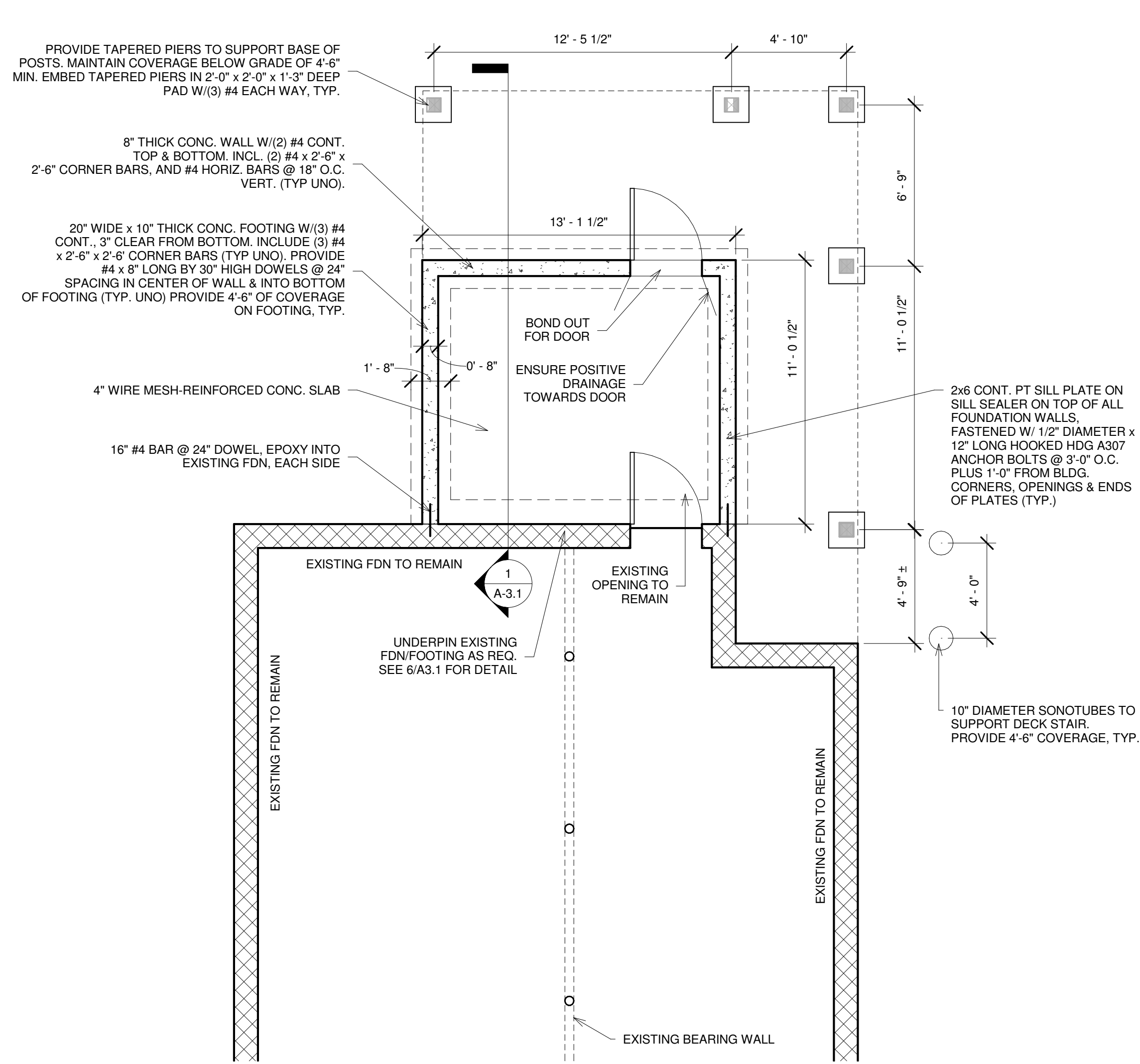
No.	Description	Date

**FDN & First Floor Framing Plans**

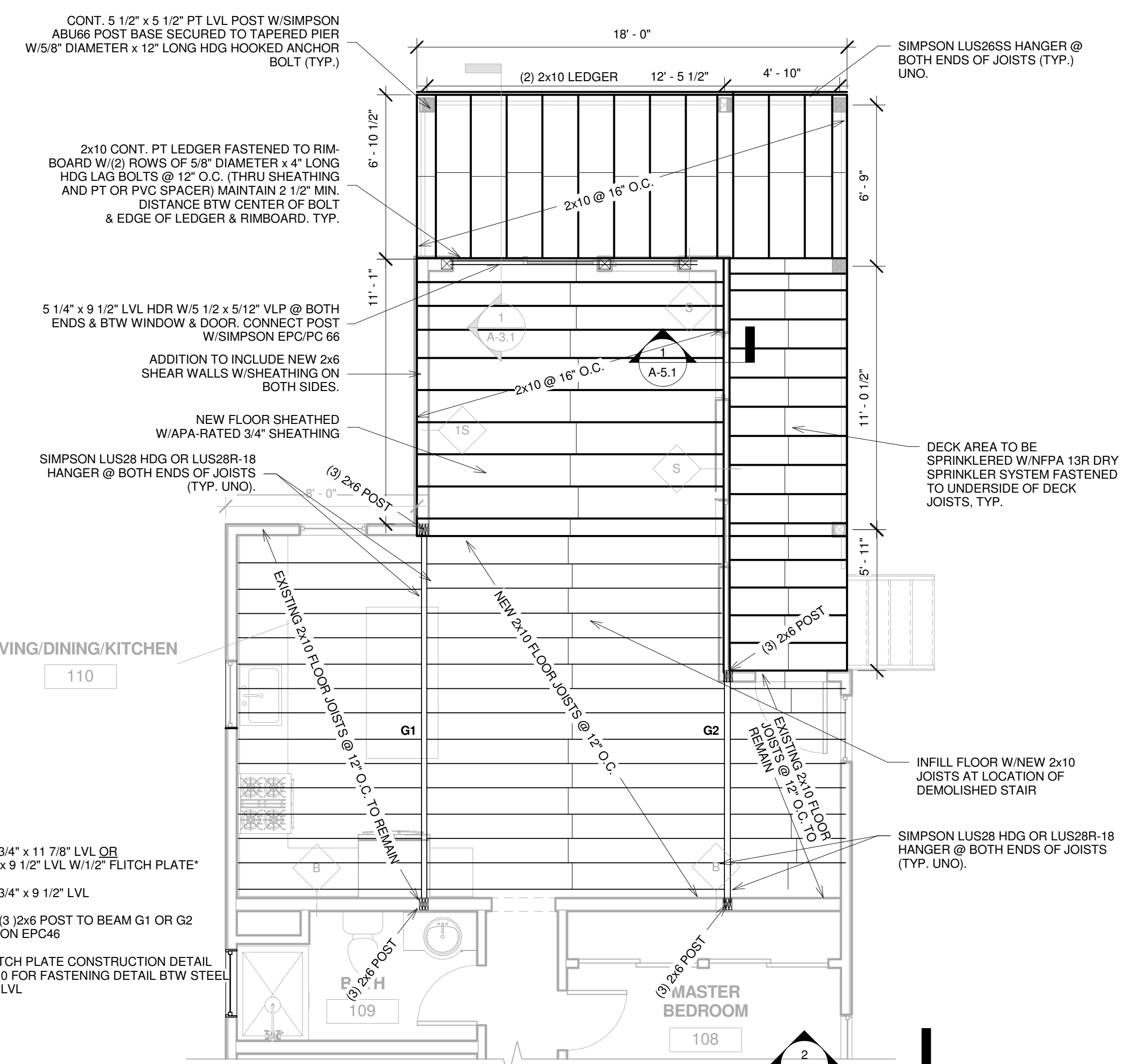
Project number	15-16
Date	06.23.15
Drawn by	TJR
Checked by	TJR

**S-1.1**

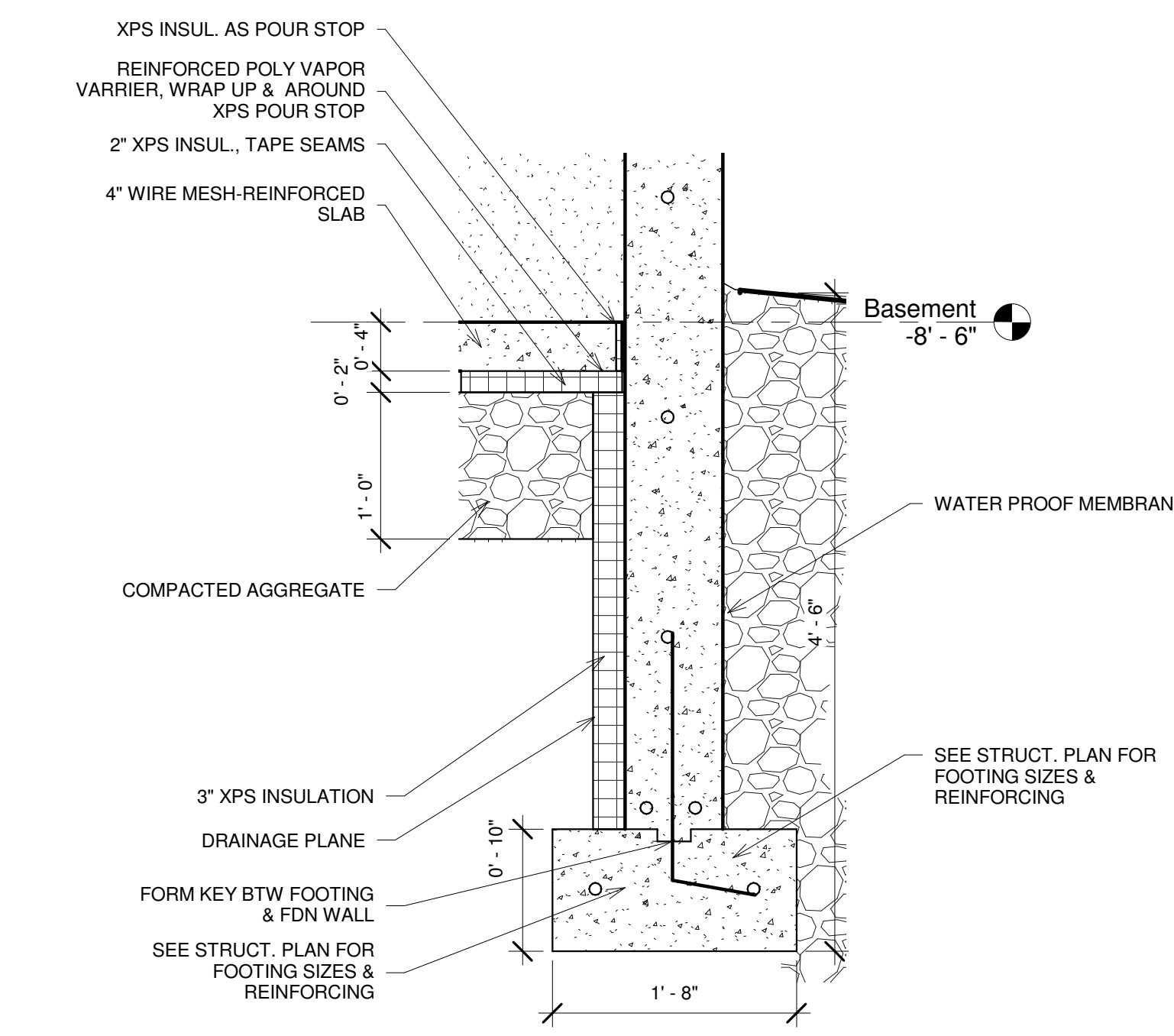
Scale As indicated



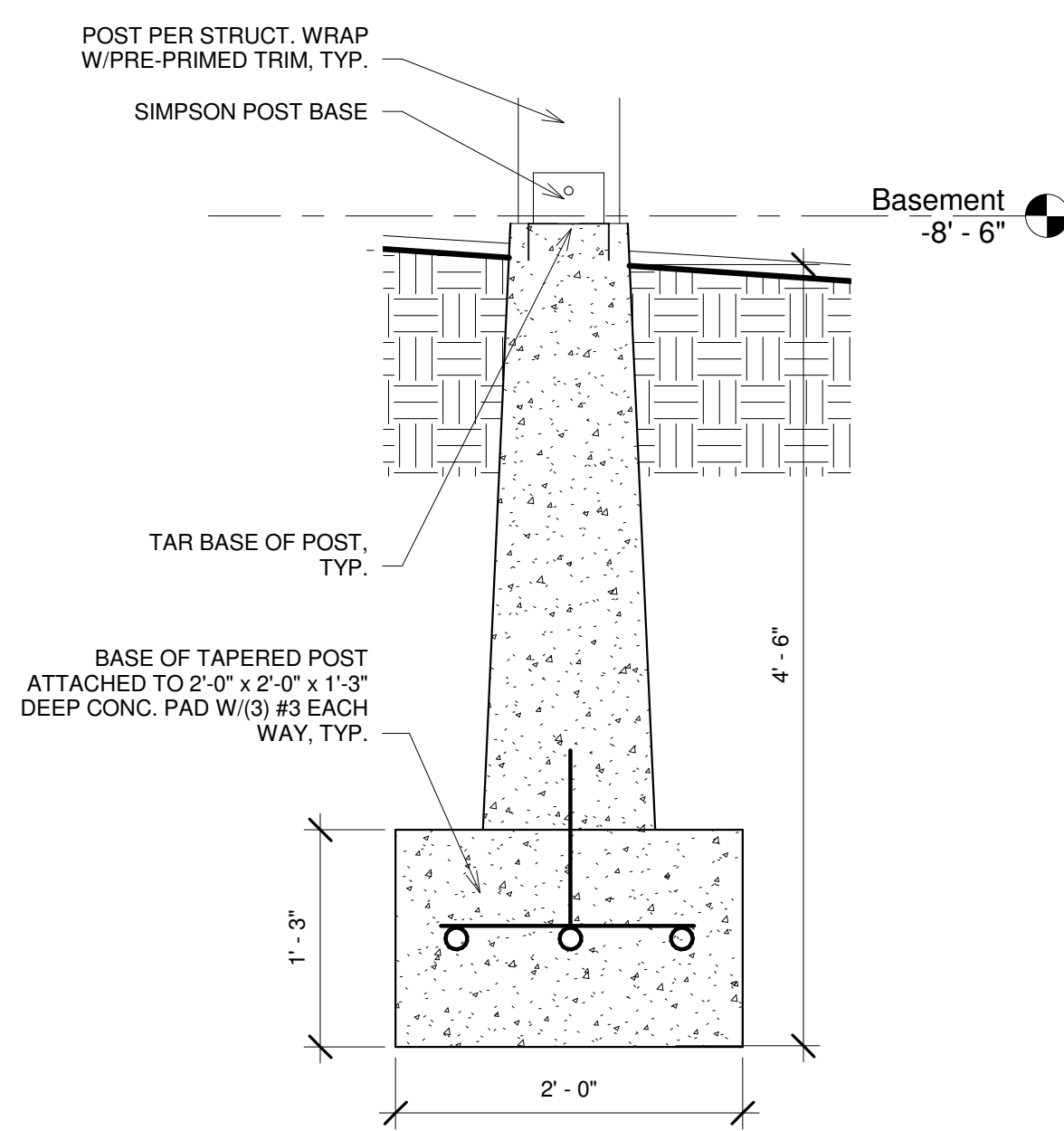
② FDN Plan  
1/4" = 1'-0"



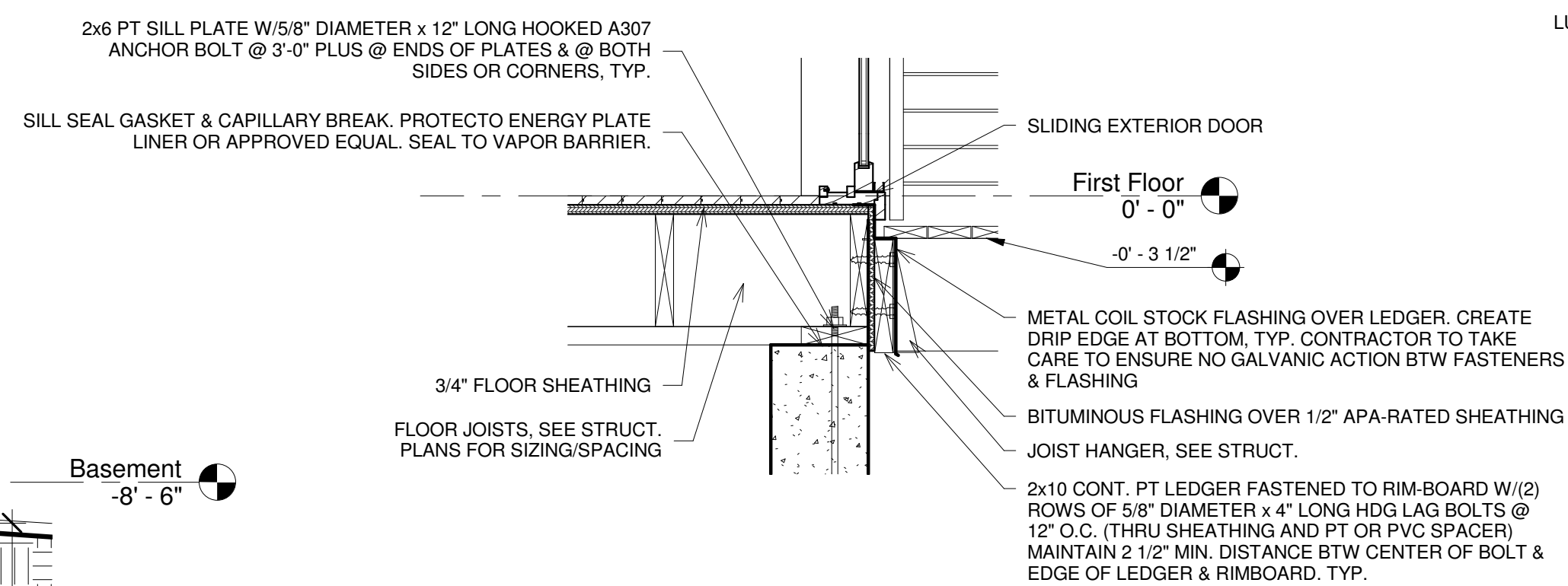
① First Floor Framing Plan  
1/4" = 1'-0"



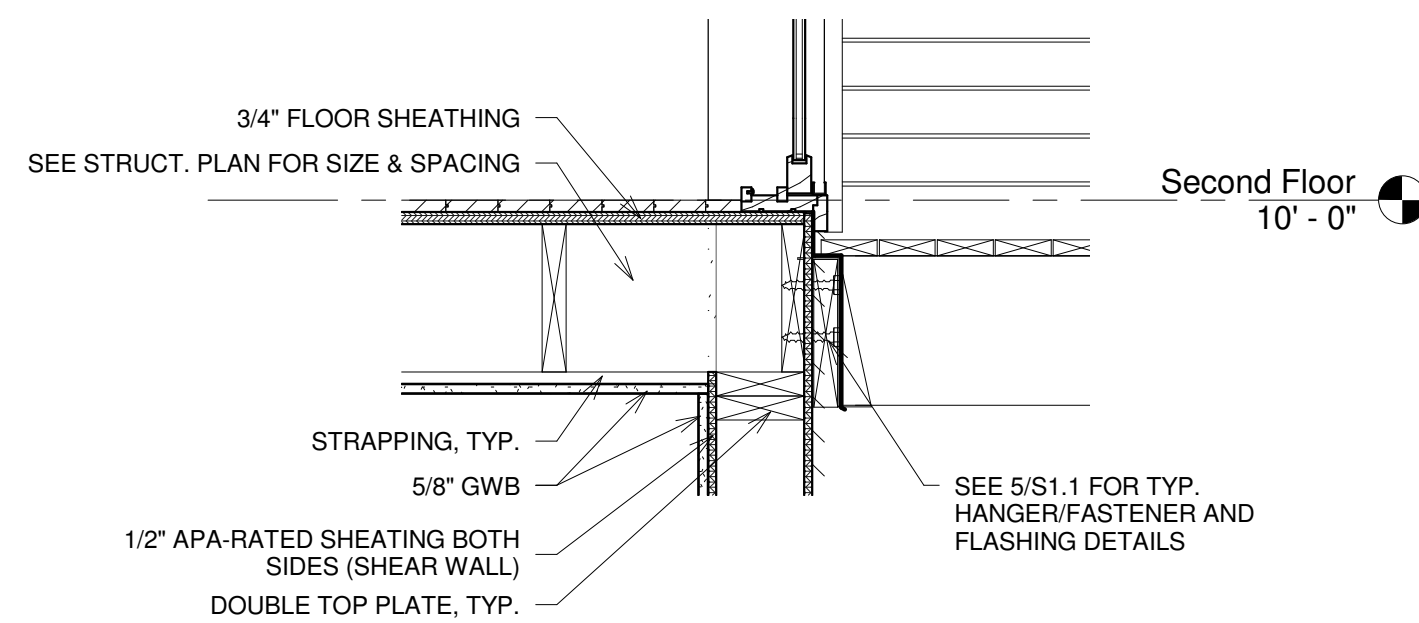
④ TYP. NEW FDN DETAIL  
1" = 1'-0"



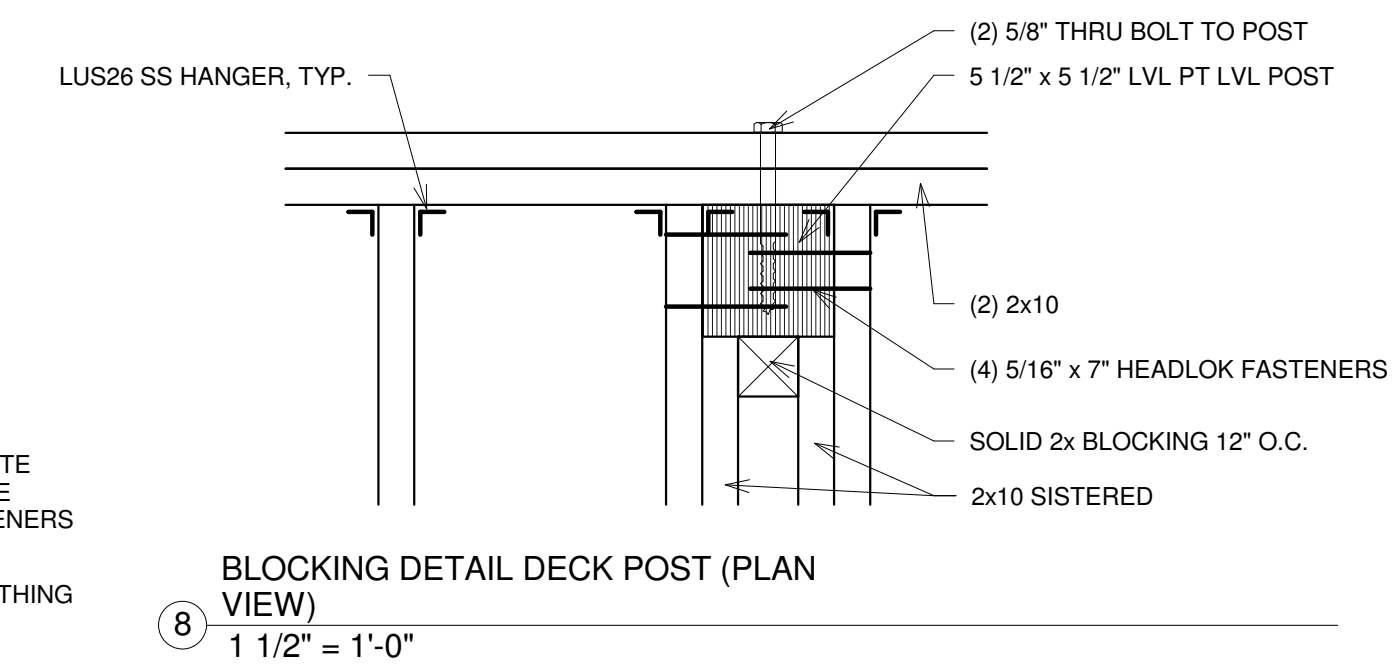
⑥ TYP. DECK FOOTING DETAIL  
1" = 1'-0"



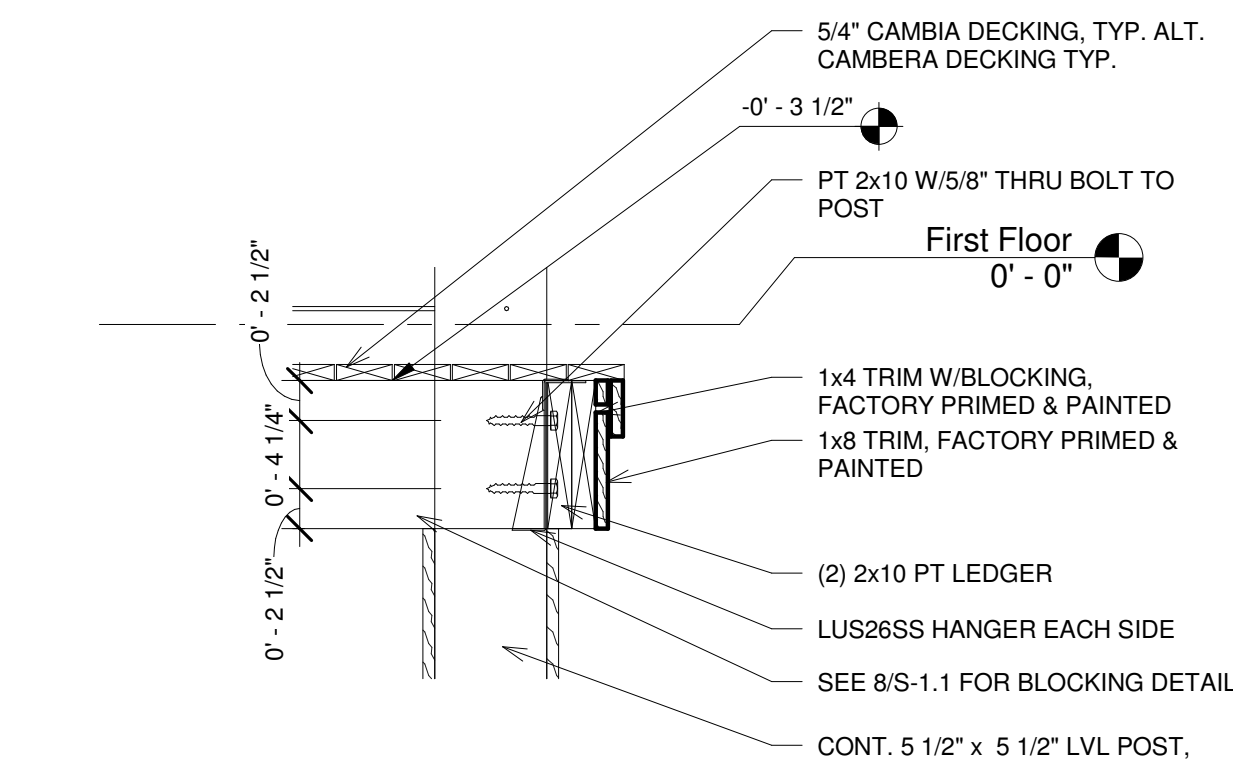
⑤ LEDGER & SILL DETAIL  
1" = 1'-0"



⑦ TYP. LEDGER @ FRAMED WALL  
1" = 1'-0"



⑧ BLOCKING DETAIL DECK POST (PLAN VIEW)  
1 1/2" = 1'-0"



③ TYP. DECK FRAMING DETAIL @ POST  
1" = 1'-0"

