

**EMERSON STREET RENOVATION**  
**NEW CONSTRUCTION**  
 23 EMERSON STREET | PORTLAND  
 BRYCE AVALLONE & PETER VALCOURT



**DEXTRIOUS  
CREATIVE**

PORTLAND, ME 04102  
 TRACIE REED, ARCHITECT  
 NCARB, AIA, LEED AP BD+C  
 traciereed@dextrouscreative.com  
 207.409.0459 (cell)

**GENERAL CONTRACTOR/OWNER REP.**

PETER VALCOURT  
 PETER.VALCOURT@YAHOO.COM  
 207.469.8494

**STRUCTURAL ENGINEER**

AL HODSON  
 RESURGENCE ENGINEERING  
 61 INDIA STREET, SUITE 7  
 PORTLAND, ME 04101  
 AL@RESURGENCEENGINEERING.COM  
 207.615.9985 (CELL)

**CARPENTERS**

CARL LITTLEFIELD  
 LITTLEFIELD & SON CONSTRUCTION  
 79 TOWN FARM RD  
 BUXTON, ME 04093  
 CARL.LITTLEFIELD@YAHOO.COM  
 207.929.6040

No.	Description	Date

**Schedules and  
Wall Details**

Project number 15-16

Date 06.23.15

Drawn by TJR

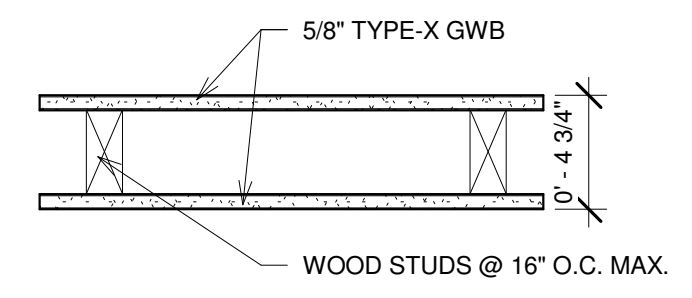
Checked by TJR

**A-5.1**

Scale As indicated

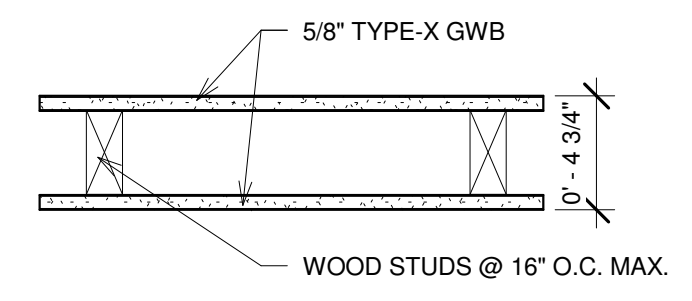
DOOR SCHEDULE				
#	TYPE	Width	Height	COMMENTS
001	A	3' - 0"	6' - 8"	
001B	A	3' - 0"	6' - 8"	
101	A	3' - 0"	6' - 8"	EXISTING TO REMAIN?
102	B	2' - 10"	6' - 8"	60 MIN. RATING W/CLOSURE
102B	B	2' - 10"	6' - 8"	60 MIN. RATING W/CLOSURE
104	D	3' - 0"	6' - 8"	
105	C	2' - 8"	6' - 8"	
105B	C	2' - 6"	6' - 8"	
107	C	2' - 8"	6' - 8"	
107B	F	4' - 0"	6' - 8"	
107C	F	4' - 0"	6' - 8"	
108	C	2' - 6"	6' - 8"	
108B	F	5' - 0"	6' - 8"	
108C	F	5' - 0"	6' - 8"	
108D	C	2' - 8"	6' - 8"	
109	C	2' - 6"	6' - 8"	
110	E	3' - 0"	6' - 8"	
110B	H	6' - 0"	7' - 0"	
201	B	2' - 8"	6' - 8"	60 MIN. RATING W/CLOSURE
204	B	2' - 8"	6' - 8"	60 MIN. RATING W/CLOSURE
204B	D	3' - 0"	6' - 8"	
205	C	2' - 8"	6' - 8"	
205B	C	2' - 6"	6' - 8"	
207	C	2' - 8"	6' - 8"	
207B	F	4' - 0"	6' - 8"	
207C	F	4' - 0"	6' - 8"	
208	C	2' - 6"	6' - 8"	
208B	F	5' - 0"	6' - 8"	
208C	F	5' - 0"	6' - 8"	
208D	C	2' - 8"	6' - 8"	
209	C	2' - 6"	6' - 8"	
210	E	3' - 0"	6' - 8"	
210B	H	6' - 0"	7' - 0"	
301	B	2' - 8"	6' - 8"	60 MIN. RATING W/CLOSURE
304	B	2' - 8"	6' - 8"	60 MIN. RATING W/CLOSURE
304B	D	3' - 0"	6' - 8"	
305	C	2' - 8"	6' - 8"	
305B	C	2' - 6"	6' - 8"	
306	C	2' - 8"	6' - 8"	
307	C	2' - 8"	6' - 8"	
307B	F	4' - 0"	6' - 8"	
307C	F	4' - 0"	6' - 8"	
308	C	2' - 8"	6' - 8"	
308B	F	5' - 0"	6' - 8"	
308C	F	5' - 0"	6' - 8"	
308D	C	2' - 8"	6' - 8"	
309	C	2' - 8"	6' - 8"	
310	E	3' - 0"	6' - 8"	
310B	H	6' - 0"	7' - 0"	

**TYPE 1A | UL 305  
1-HOUR RATING**



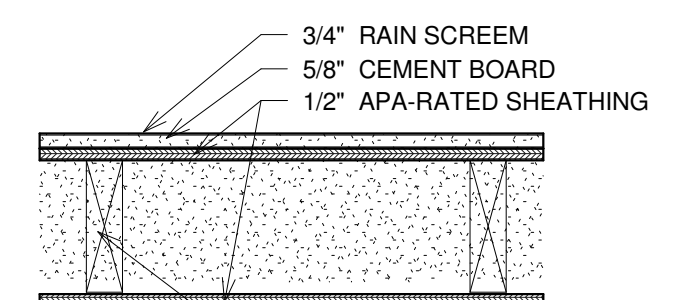
**DESCRIPTION**  
 -5/8" TYPE-X GWB, W/BEVELED, SQUARE OR TAPERED EDGES, APPLIED VERTICALLY OR HORIZONTALLY  
 -2x4 WOOD STUDS SPACED MAX. 16" O.C.  
 -5/8" TYPE-X GWB, W/BEVELED, SQUARE OR TAPERED EDGES, APPLIED VERTICALLY OR HORIZONTALLY

**TYPE 1B | UL 407  
30-MIN RATING**



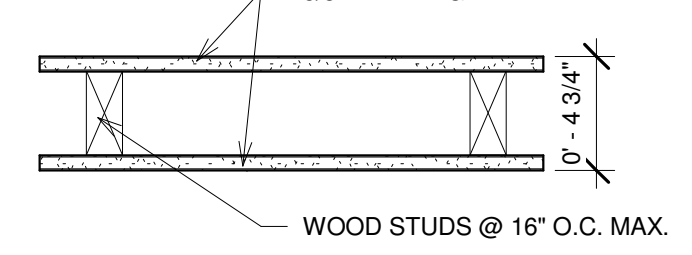
**DESCRIPTION**  
 -5/8" TYPE-X GWB, W/BEVELED, SQUARE OR TAPERED EDGES, APPLIED VERTICALLY OR HORIZONTALLY  
 -2x4 WOOD STUDS SPACED MAX. 16" O.C. W/BLOCKING @ MID-SPAN, EFFECTIVELY FIRESTOPPED  
 -5/8" TYPE-X GWB, W/BEVELED, SQUARE OR TAPERED EDGES, APPLIED VERTICALLY OR HORIZONTALLY

**TYPE 1S  
1-HOUR RATING**



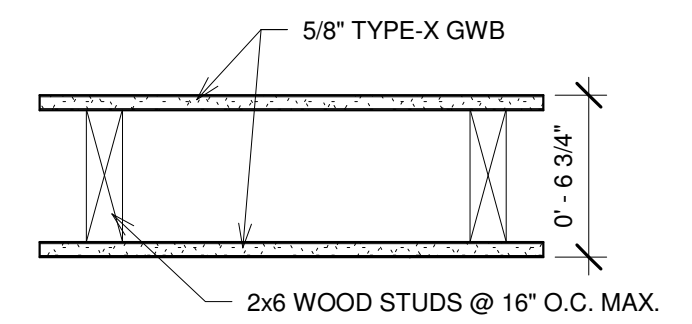
**DESCRIPTION (INTERIOR TO EXTERIOR)**  
 -5/8" TYPE-X GWB, W/BEVELED, SQUARE OR TAPERED EDGES, APPLIED VERTICALLY OR HORIZONTALLY  
 -1/2" APA-RATED PLYWOOD SHEATHING FASTENED EVERY 8" O.C. W/6d NAILS, TYP.  
 -2x6 WOOD STUDS SPACED MAX. 12" O.C. W/BLOCKING @ MID-SPAN. FILL CAVITY W/GREEN FIBER 765 FIBER - R-21 TO 3.5# PER CUBIC FOOT PER STANDARD INSTALL. INSTRUCT.  
 -1/2" APA-RATED PLYWOOD SHEATHING FASTENED EVERY 8" O.C. W/6d NAILS, TYP.  
 -5/8" CEMENT BOARD  
 -3/4" STRAPPING AS RAIN SCREEN  
 -VINYL SIDING

**TYPICAL INT.  
NO RATING**



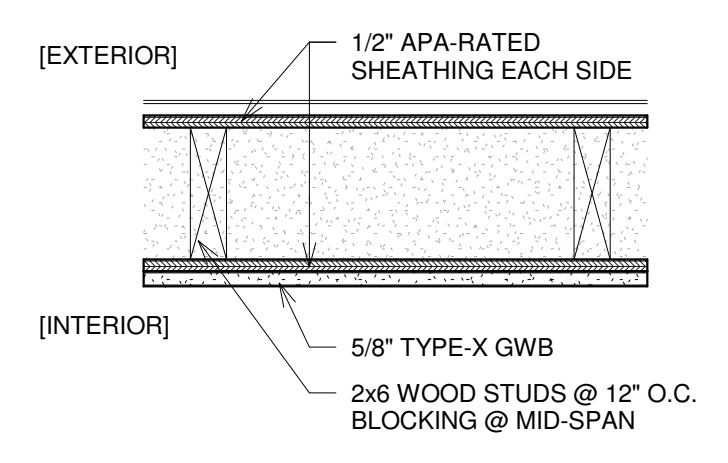
**DESCRIPTION**  
 -5/8" TYPE-X GWB, W/BEVELED, SQUARE OR TAPERED EDGES, APPLIED VERTICALLY OR HORIZONTALLY  
 -2x6 WOOD STUDS SPACED MAX. 16" O.C. W/BLOCKING @ MID-SPAN  
 -5/8" TYPE-X GWB, W/BEVELED, SQUARE OR TAPERED EDGES, APPLIED VERTICALLY OR HORIZONTALLY

**B | BEARING WALL  
NO RATING**



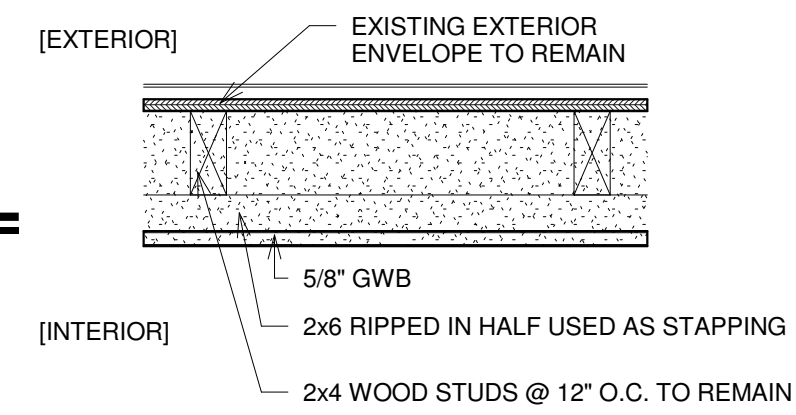
**DESCRIPTION**  
 -5/8" TYPE-X GWB, W/BEVELED, SQUARE OR TAPERED EDGES, APPLIED VERTICALLY OR HORIZONTALLY  
 -2x6 WOOD STUDS SPACED MAX. 16" O.C. W/BLOCKING @ MID-SPAN  
 -5/8" TYPE-X GWB, W/BEVELED, SQUARE OR TAPERED EDGES, APPLIED VERTICALLY OR HORIZONTALLY

**S | EXTERIOR  
SHEAR WALL  
R-21**

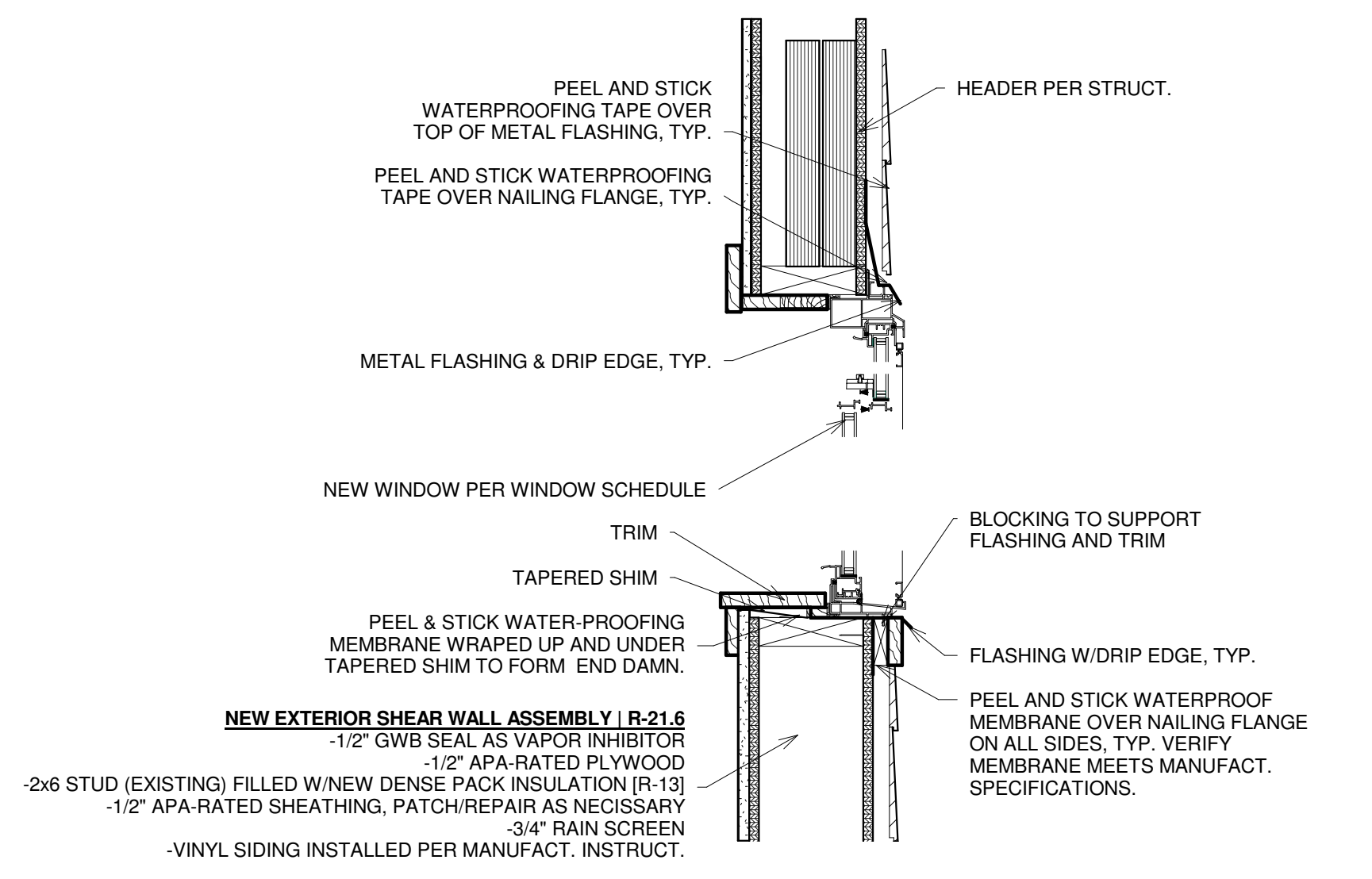


**DESCRIPTION (INTERIOR TO EXTERIOR)**  
 -5/8" TYPE-X GWB, W/BEVELED, SQUARE OR TAPERED EDGES, APPLIED VERTICALLY OR HORIZONTALLY  
 -1/2" APA-RATED PLYWOOD SHEATHING FASTENED EVERY 8" O.C. W/6d NAILS, TYP.  
 -2x6 WOOD STUDS SPACED MAX. 12" O.C. W/BLOCKING @ MID-SPAN.  
 -FILL CAVITY W/GREEN FIBER 765 FIBER - R-21 TO 3.5# PER CUBIC FOOT PER STANDARD INSTALL. INSTRUCT.  
 -1/2" APA-RATED PLYWOOD SHEATHING FASTENED EVERY 8" O.C. W/6d NAILS, TYP.  
 -3/4" STRAPPING AS RAIN SCREEN  
 -VINYL SIDING

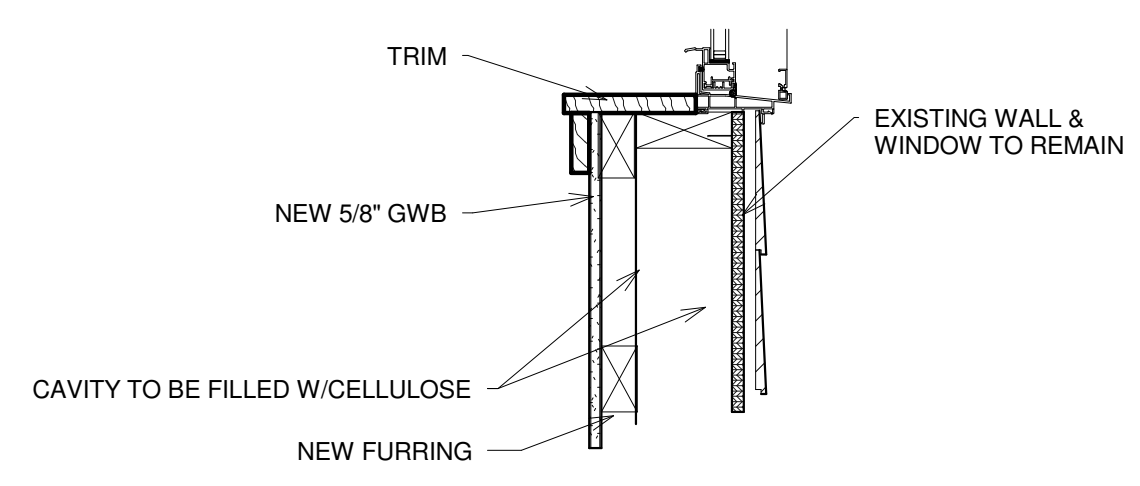
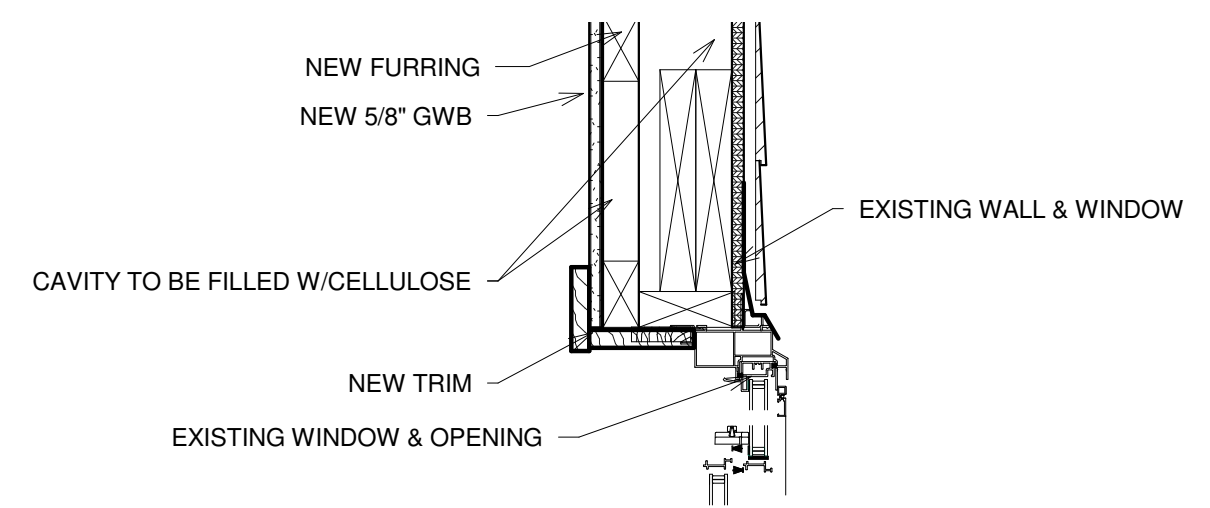
**E | EXISTING  
EXTERIOR WALL  
R-21**



**DESCRIPTION (INTERIOR TO EXTERIOR)**  
 -5/8" TYPE-X GWB, W/BEVELED, SQUARE OR TAPERED EDGES, APPLIED VERTICALLY OR HORIZONTALLY  
 -2x STRAPPING EVERY 2'-0" VERT.  
 -2x4 WOOD STUDS SPACED  
 -GREEN FIBER 765 FILLED TO 3.5# PER CUBIC FOOT PER STANDARD INSTALL. INSTRUCT.  
 -EXISTING VINYL SIDING

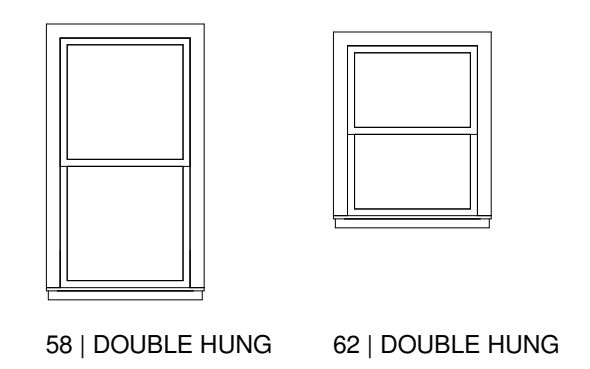


1 TYP. NC WINDOW & SILL DETAIL  
 1 1/2" = 1'-0"



2 TYPICAL EXISTING WALL @ WINDOW  
 1 1/2" = 1'-0"

Wall Types  
 1 1/2" = 1'-0"

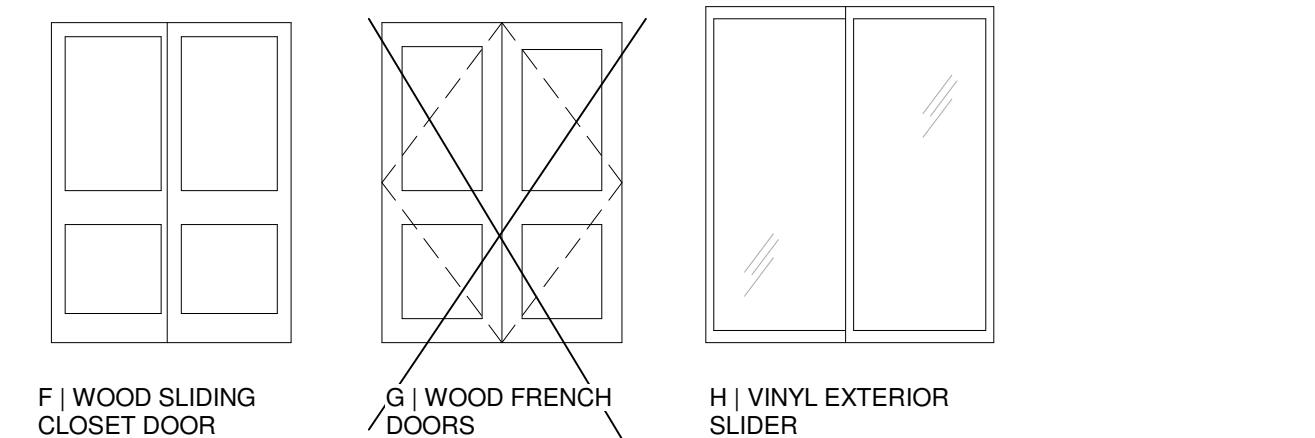
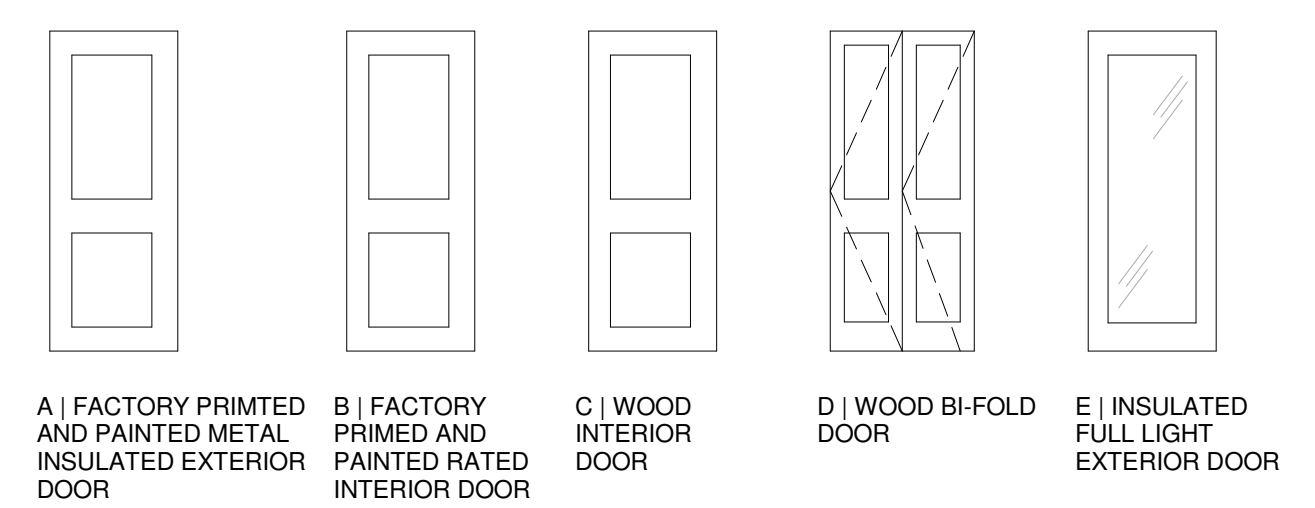


58 | DOUBLE HUNG 62 | DOUBLE HUNG

Window Legend  
 1/4" = 1'-0"

Window Schedule				
Type Mark	Rough Opening Width	Rough Opening Height	Type	Comments
58	2' - 10"	5' - 4"	Double Hung with Trim	
62	2' - 10"	3' - 8"	Double Hung with Trim	

TEMPER WINDOWS PER IBC-2009. NEW WINDOWS TO MEET IECC-2009 U-FACTORS AND SHGC RATINGS



DOOR PANEL TYPES  
 1/4" = 1'-0"