

**EMERSON STREET RENOVATION
NEW CONSTRUCTION**
23 EMERSON STREET | PORTLAND
BRYCE AVALLONE & PETER VALCOURT



**DEXTRIOUS
CREATIVE**
PORTLAND, ME 04102
TRACIE REED, ARCHITECT
NCARB, AIA, LEED AP BD+C
traciereed@dextrouscreative.com
207.409.0459 (cell)

GENERAL CONTRACTOR/OWNER REP.
PETER VALCOURT
PETER.VALCOURT@YAHOO.COM
207.469.8494

STRUCTURAL ENGINEER
AL HODSON
RESURGENCE ENGINEERING
61 INDIA STREET, SUITE 7
PORTLAND, ME 04101
AL@RESURGENCEENGINEERING.COM
207.615.9985 (CELL)

CARPENTERS
CARL LITTLEFIELD
LITTLEFIELD & SON CONSTRUCTION
79 TOWN FARM RD
BUXTON, ME 04093
CARL.LITTLEFIELD@YAHOO.COM
207.929.6040

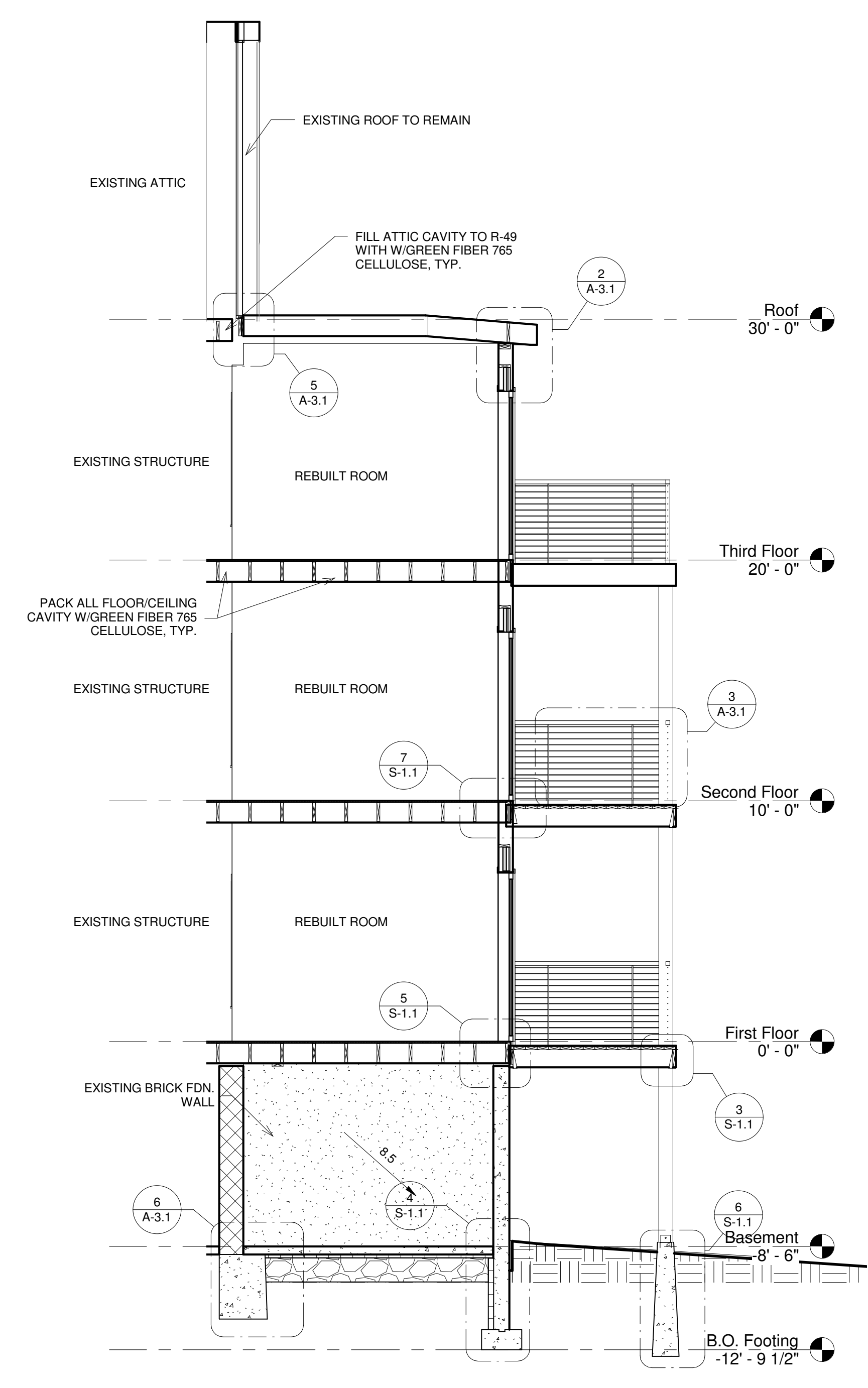
No.	Description	Date

Sections/Details

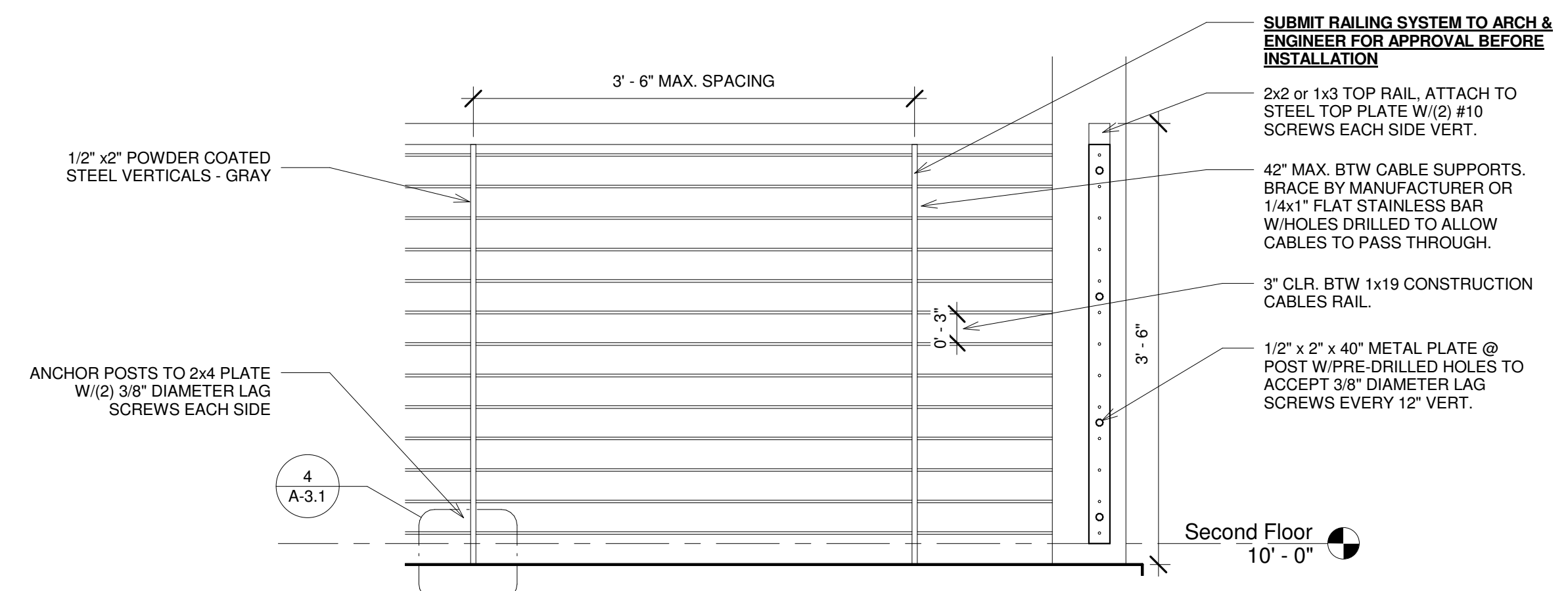
Project number	15-16
Date	06.23.15
Drawn by	TJR
Checked by	TJR

A-3.1

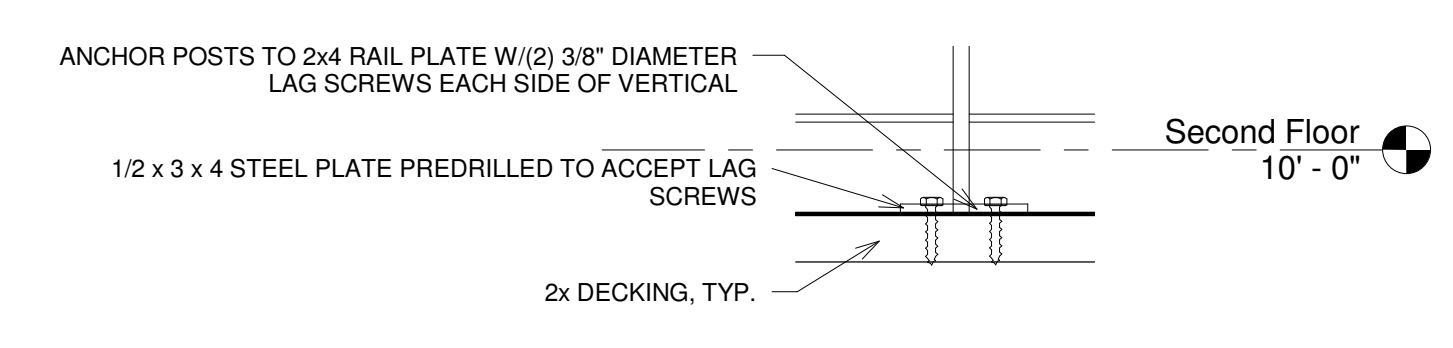
Scale As indicated



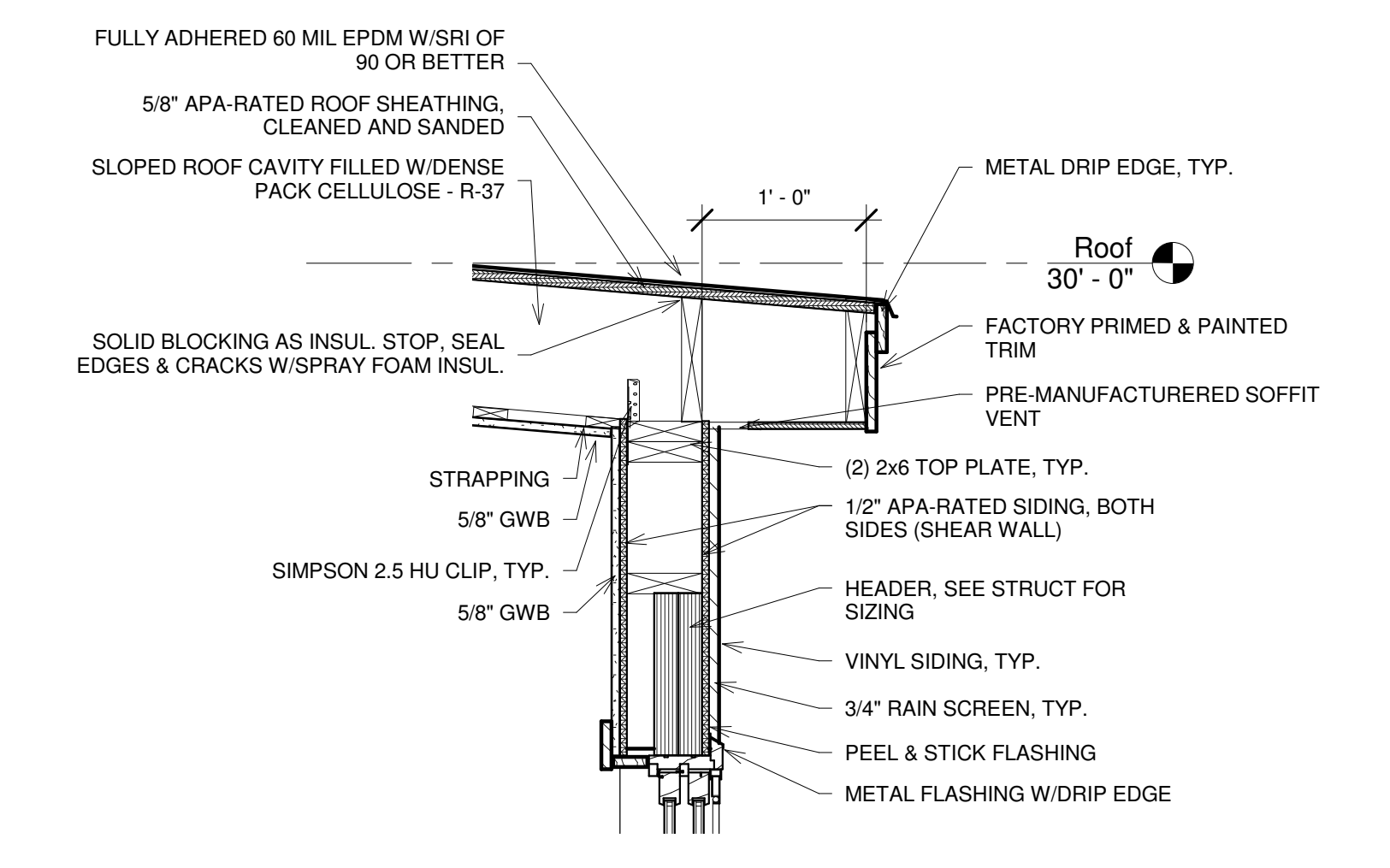
1 SECTION THROUGH DECK
1/4" = 1'-0"



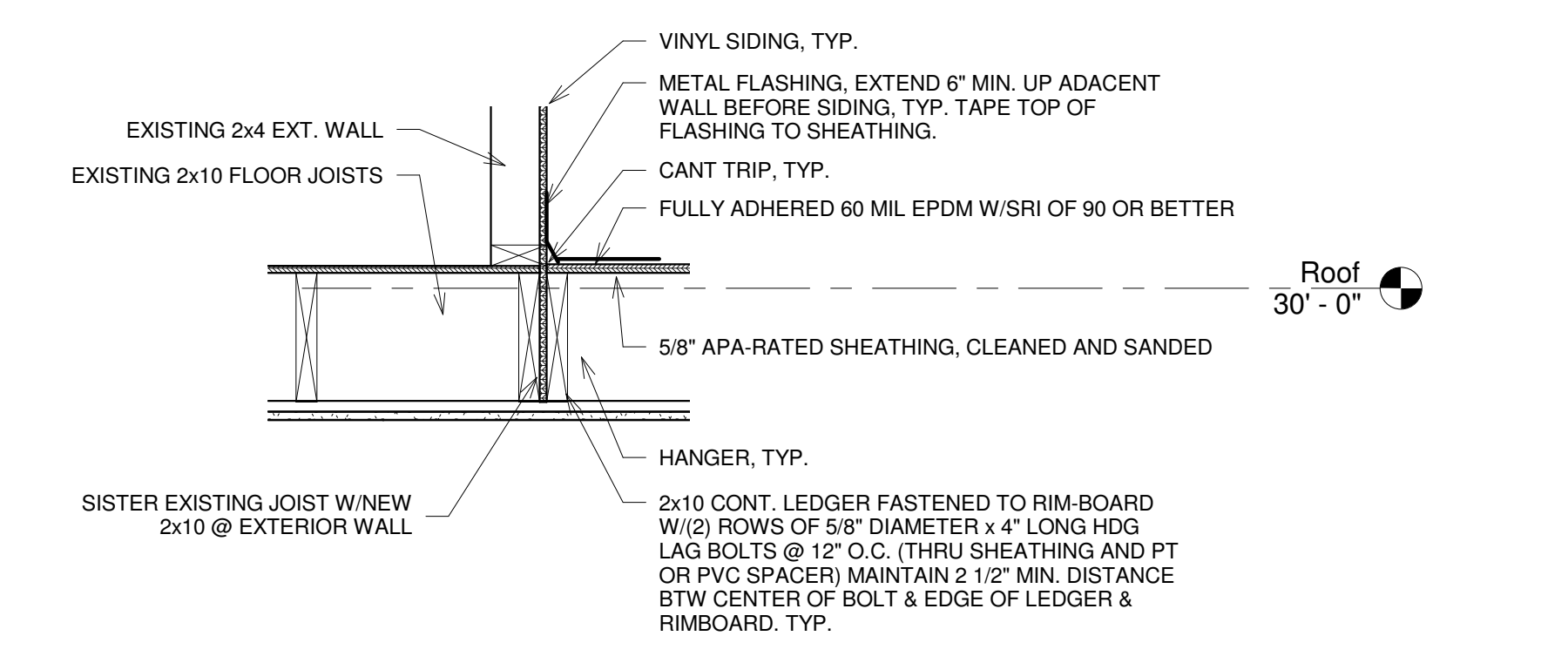
3 RAILING DETAIL
1" = 1'-0"



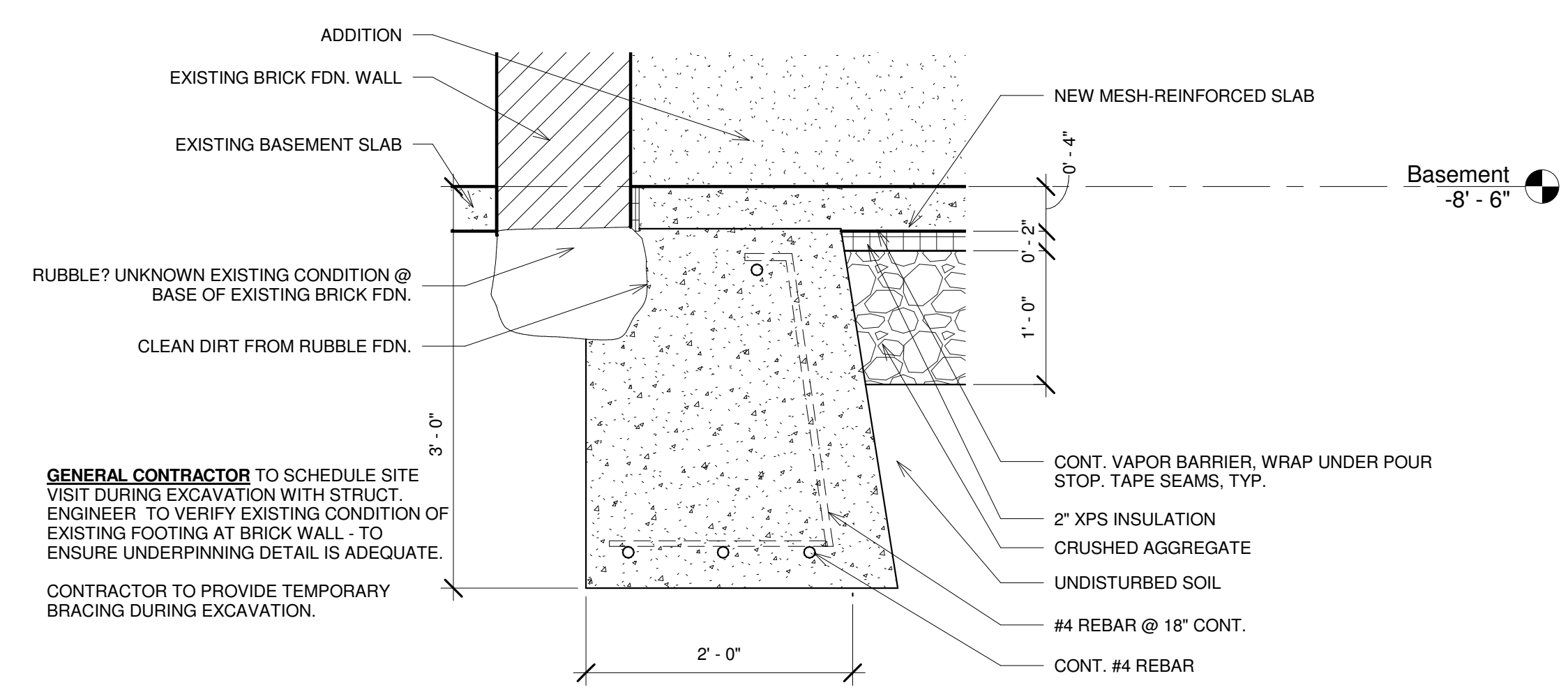
4 INTERMEDIATE CONNECTION DETAIL
1 : 6



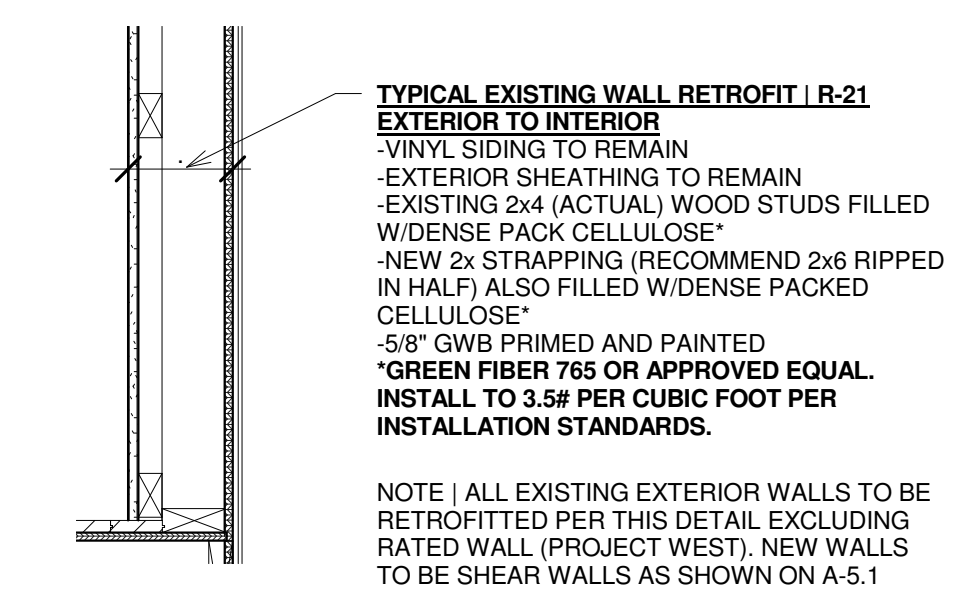
2 ROOF/EAVE DETAIL
1" = 1'-0"



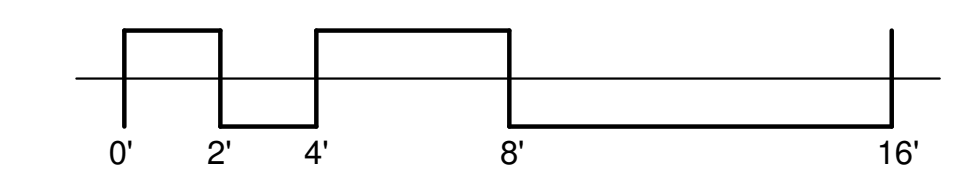
5 EXISTING BUILDING @ ADDITION
1" = 1'-0"



6 UNDERPINNING DETAIL
1" = 1'-0"



7 TYPICAL EXISTING WALL RETROFIT
1" = 1'-0"



6/23/2015 10:56:31 AM