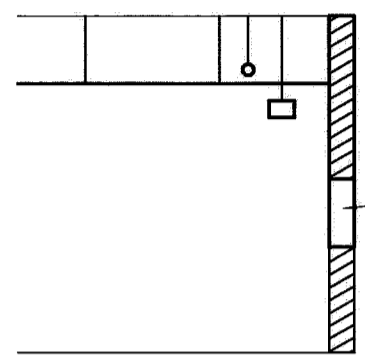


NOTE
NO DUCTWORK OR PIPING
IS PERMITTED IN THE
HATCHED AREAS.

SIDE VIEW

FRONT VIEW

SEE NEC SECTIONS
110.26 AND 400.10
(2005 EDITION)

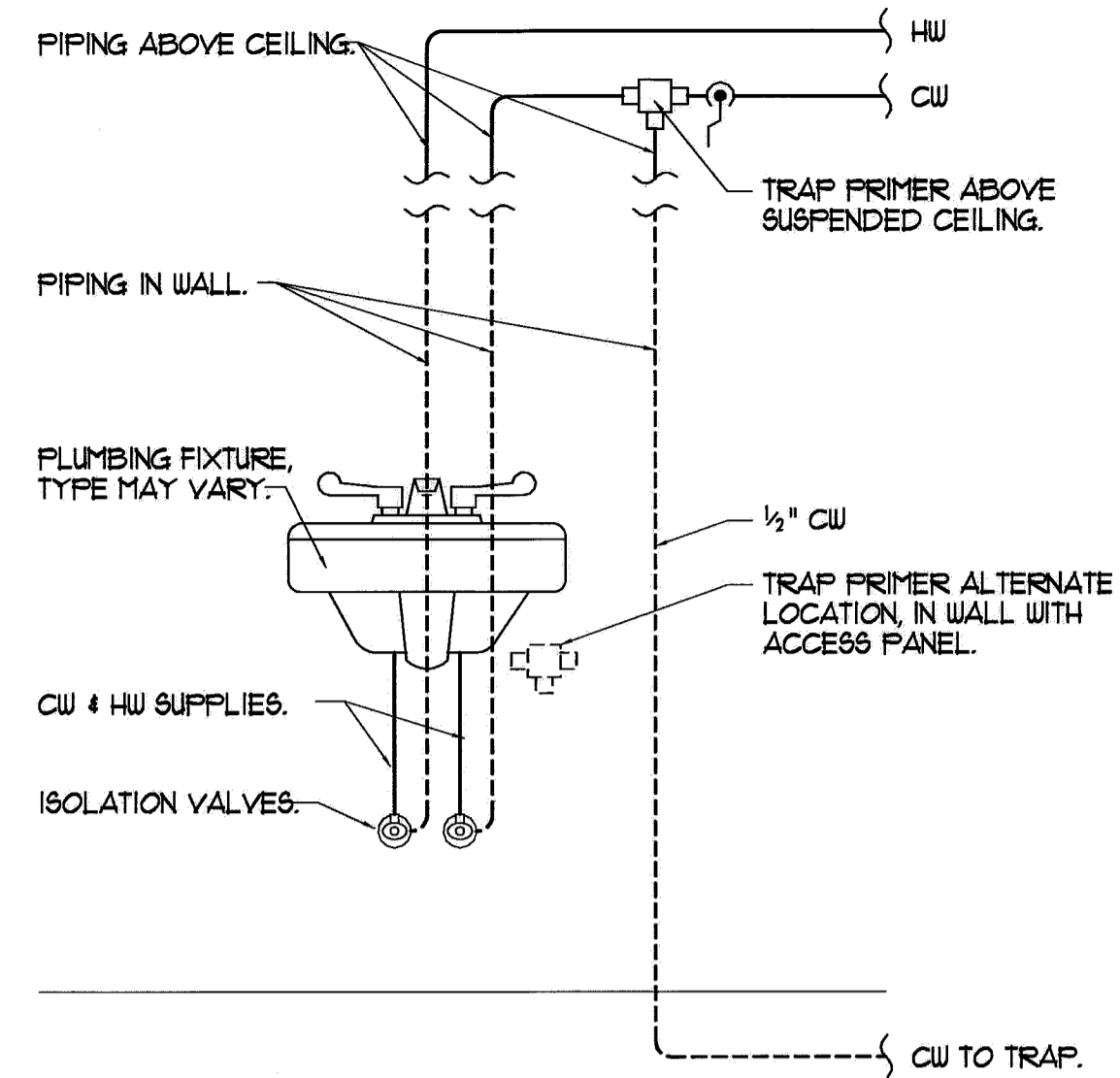


SIDE VIEW

FRONT VIEW

CLEARANCES AT ELECTRICAL PANELS

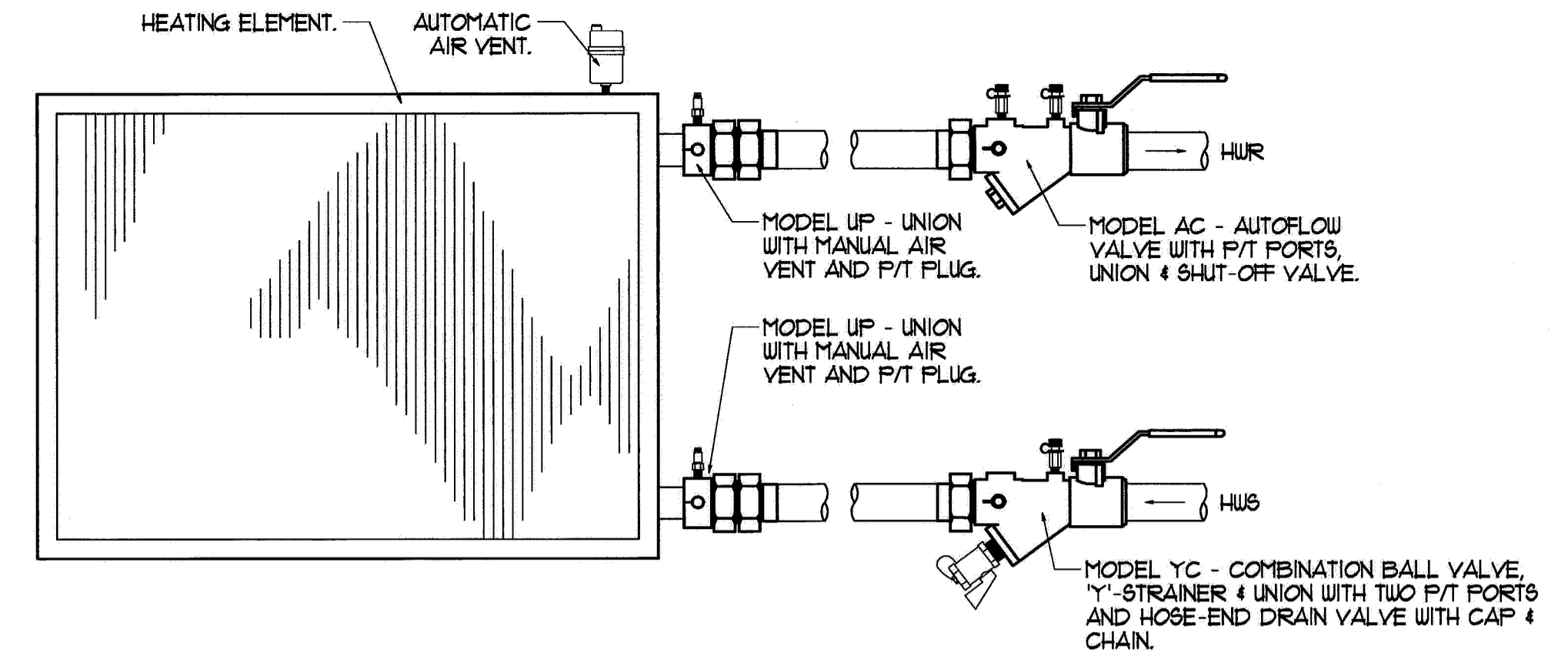
NTS



TRAP PRIMER CONNECTION DETAIL

NTS

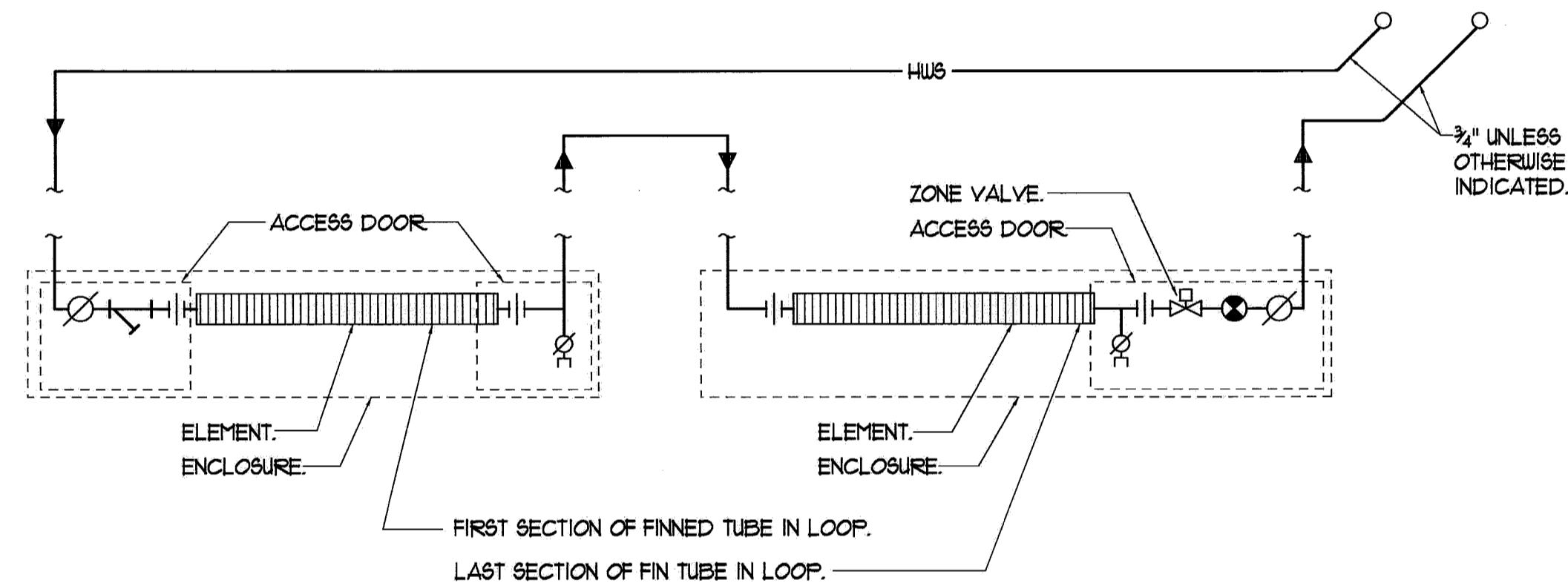
NOTE - ALL FLOOR DRAINS SHALL HAVE TRAP PRIMERS, CONNECT TO NEAREST FIXTURE.



AUTOFLOW VALVE PIPING SCHEMATIC W/ NO VALVE CONTROL

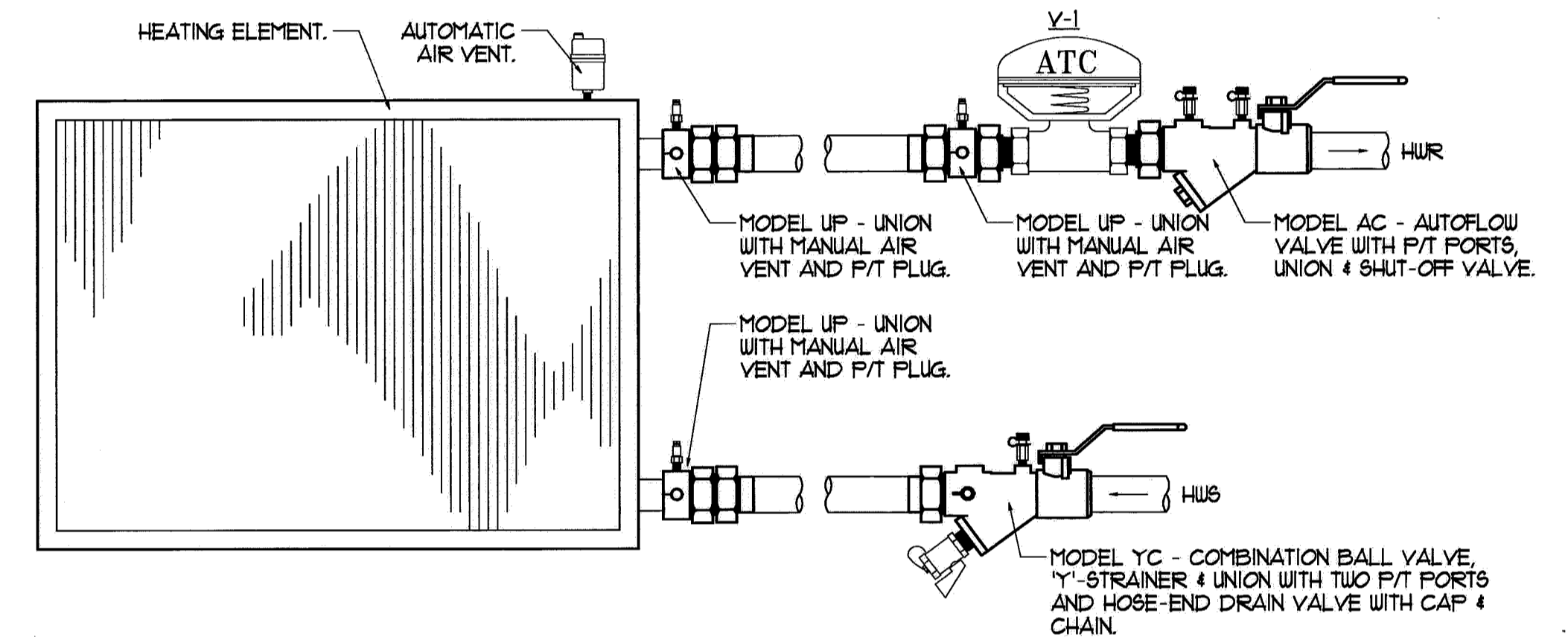
NTS

NOTE - MODEL NUMBERS BASED ON FLOW DESIGN INC. FOR PIPE SIZES 2" AND SMALLER.
NOTE - DETAIL APPLIES TO UNIT HEATERS AND CABINET UNIT HEATERS.



TYPICAL FIN TUBE PIPING DETAIL

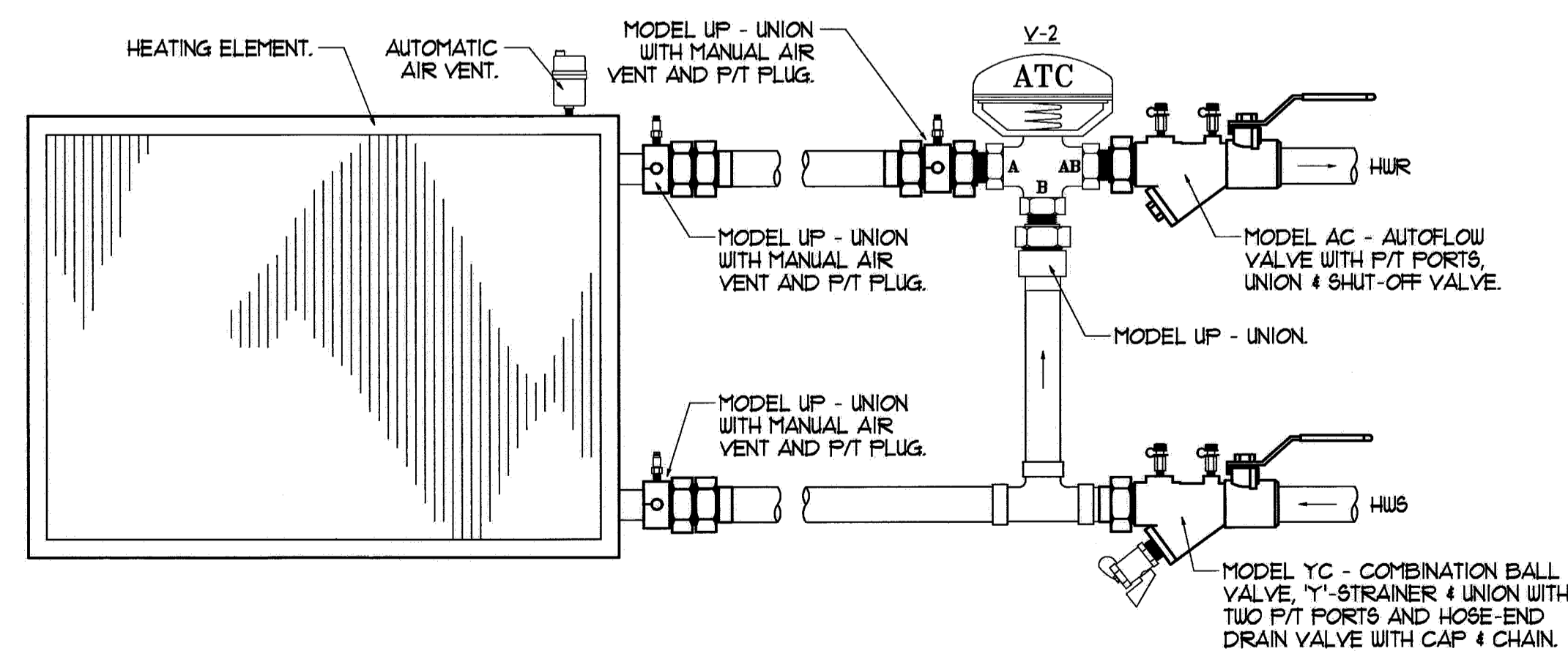
NTS



AUTOFLOW VALVE PIPING SCHEMATIC W/ 2-WAY VALVE

NTS

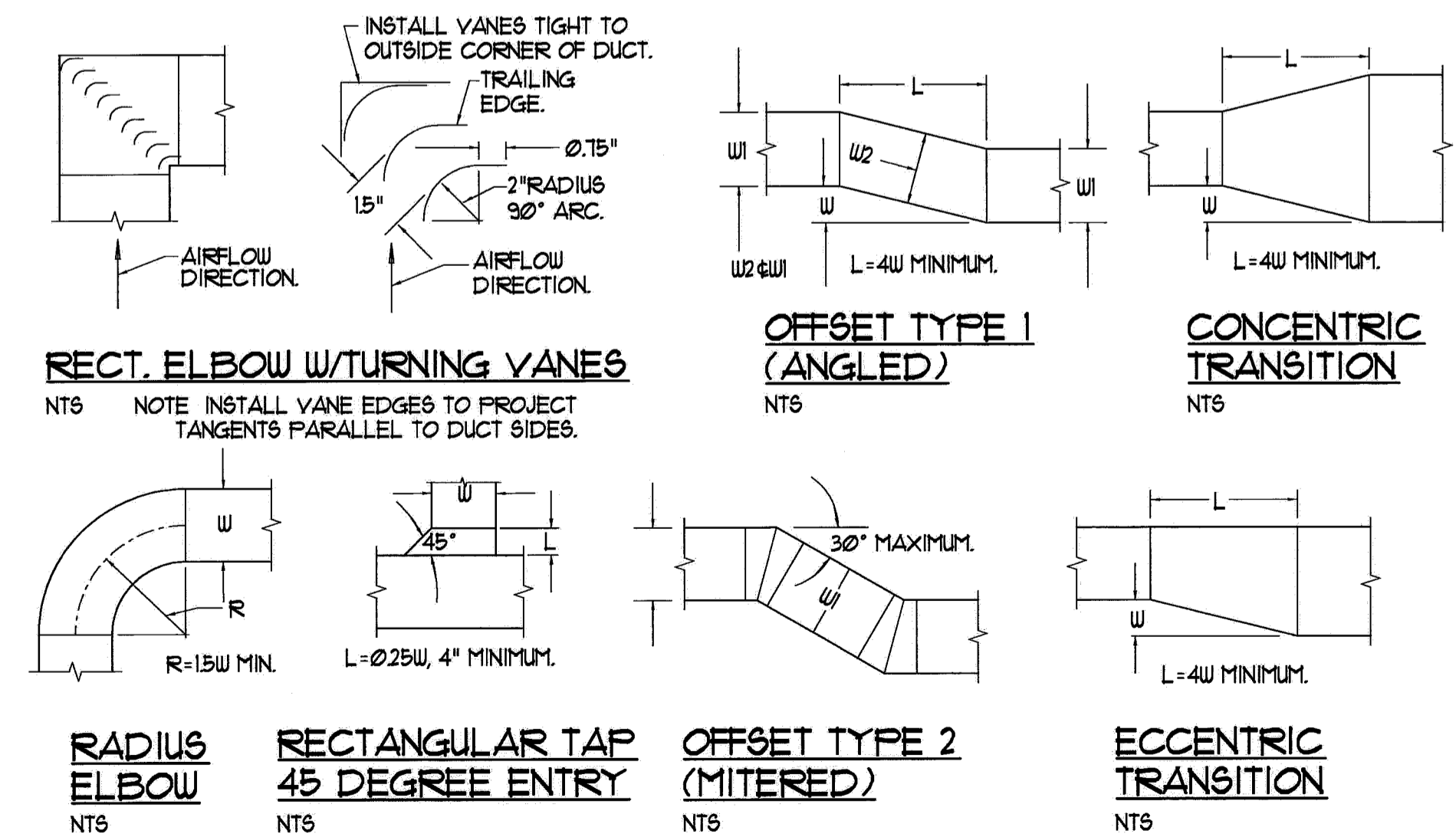
NOTE - MODEL NUMBERS BASED ON FLOW DESIGN INC. FOR PIPE SIZES 2" AND SMALLER.
NOTE - DETAIL APPLIES TO ALL FIN TUBE AND KICKSPACE/WALL HEATERS.



AUTOFLOW VALVE PIPING SCHEMATIC W/ 3-WAY VALVE

NTS

NOTE - MODEL NUMBERS BASED ON FLOW DESIGN INC. FOR PIPE SIZES 2" AND SMALLER.
NOTE - DETAIL APPLIES TO HEATING COILS AS INDICATED.



LOW PRESSURE DUCT CONSTRUCTION DETAILS - TYPICAL

NTS



CWS Architects

Architecture
Space Planning
Value Design

434 Cumberland Avenue
Portland, ME 04101
Phone: (207) 774-4441
Fax: (207) 774-4016

www.CWSArch.com



BENNETT ENGINEERING
MECHANICAL • ELECTRICAL
(207) 865-9475



Owner:
Avesta Munjoy
Commons, LP.

307 Cumberland Ave.
Portland, Maine 04101
TEL. 207-553-7780

Munjoy Commons
Apartments

Portland, Maine

Project No: 07429

Drawing Title:
EMERSON
MECHANICAL
DETAILS

Scale: 1/4" = 1'-0"

Date: August 28, 2009

Revisions:

- △
- △
- △
- △
- △

Drawing Number:
EMERSON
M3.4