

Owner:
Avesta Munjoy Commons, LP.
307 Cumberland Ave.
Portland, Maine 04101
TEL. 207-553-7780

Client:

Munjoy Commons Apartments

Portland, Maine

Project No: 07429

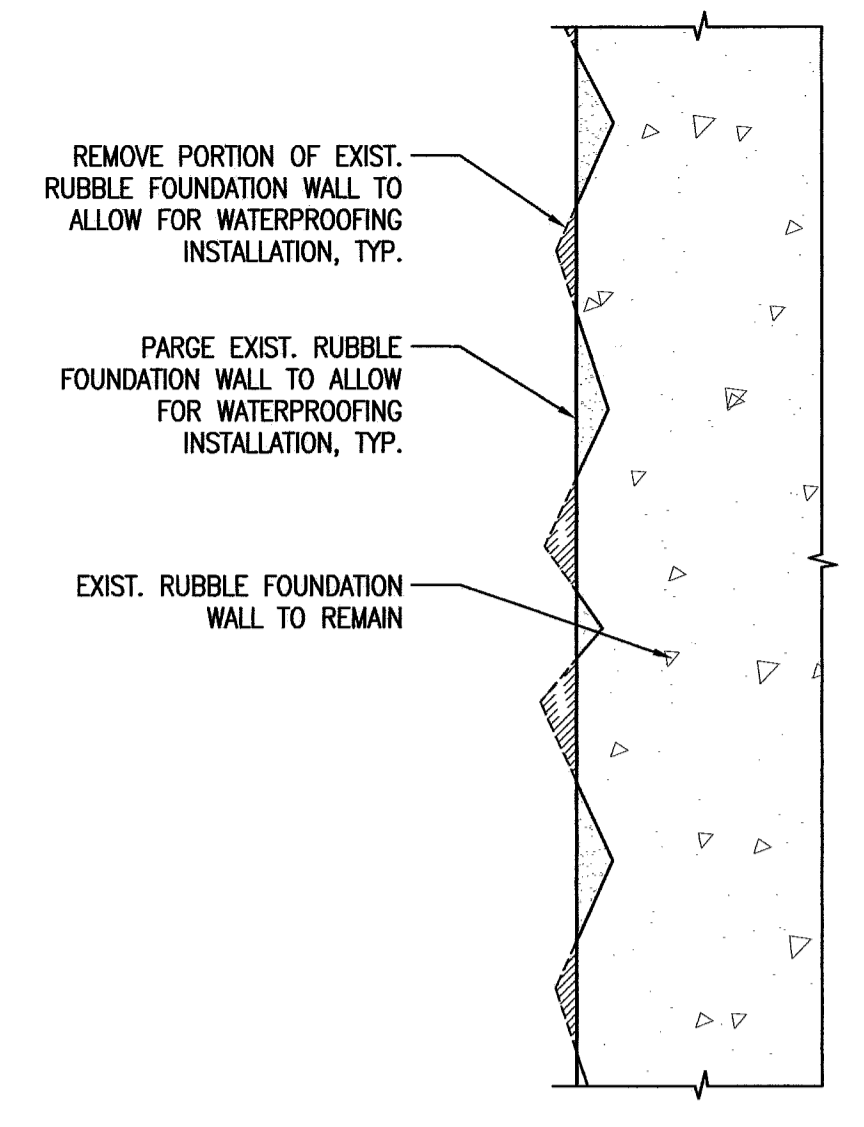
Drawing Title:
EMERSON SECTIONS & DETAILS

Scale: 1/4" = 1'-0"

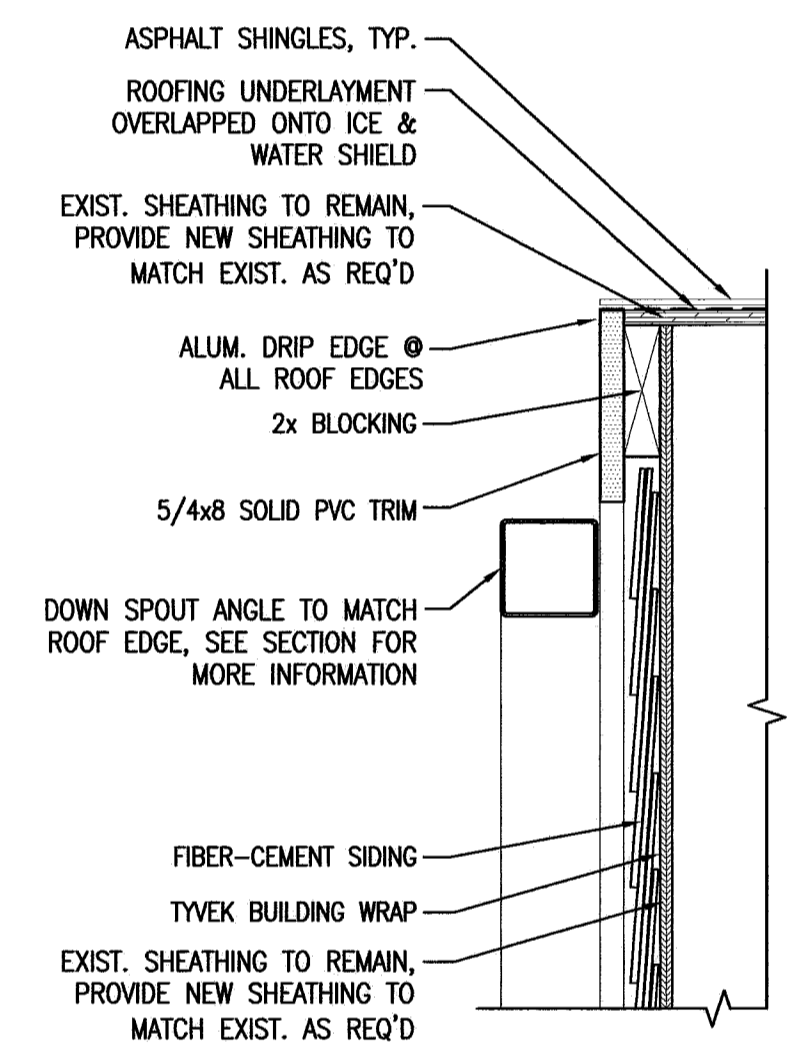
Date: August 28, 2009

- Revisions:
- △
 - △
 - △
 - △
 - △
 - △

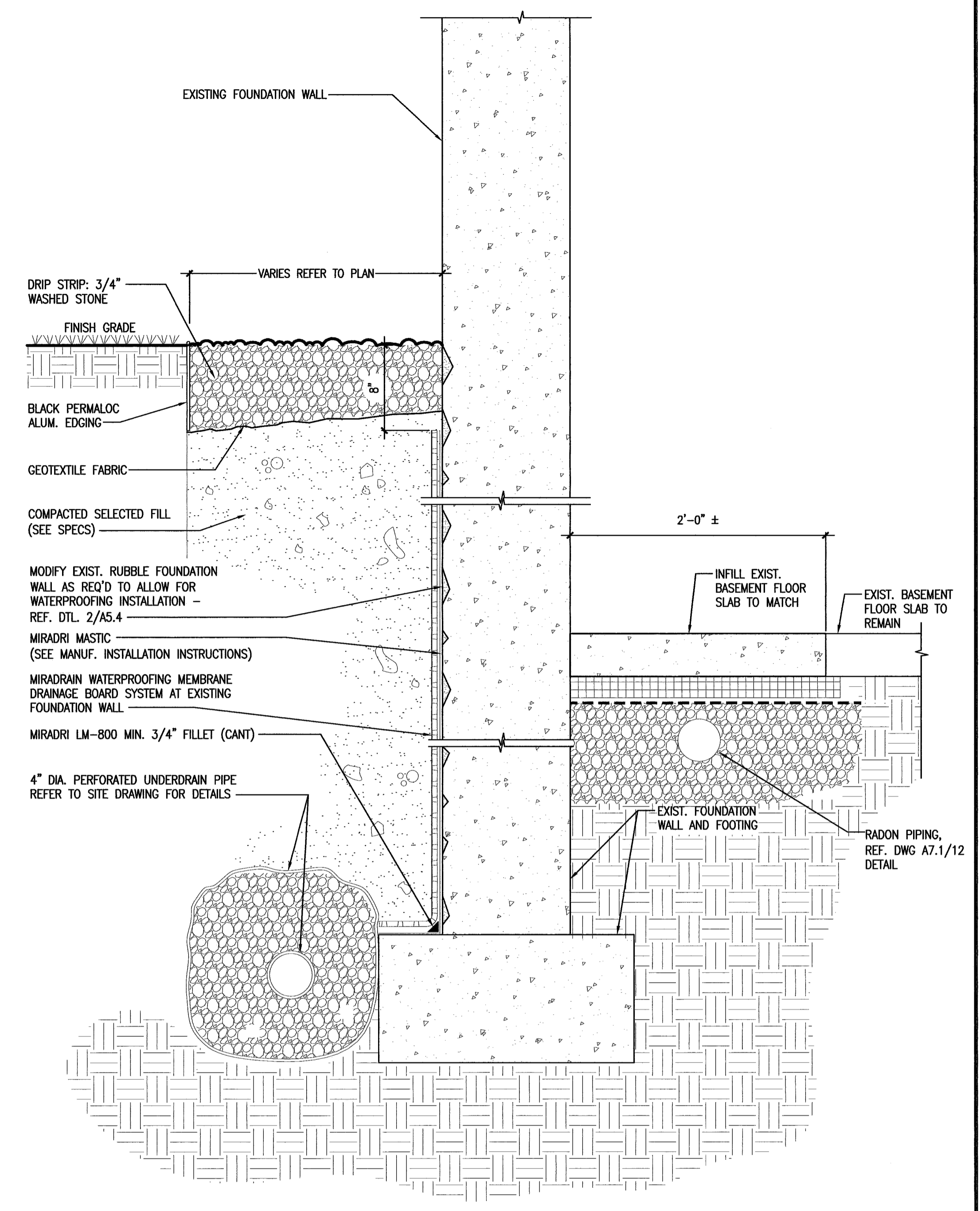
Drawing Number:
EMERSON A5.4



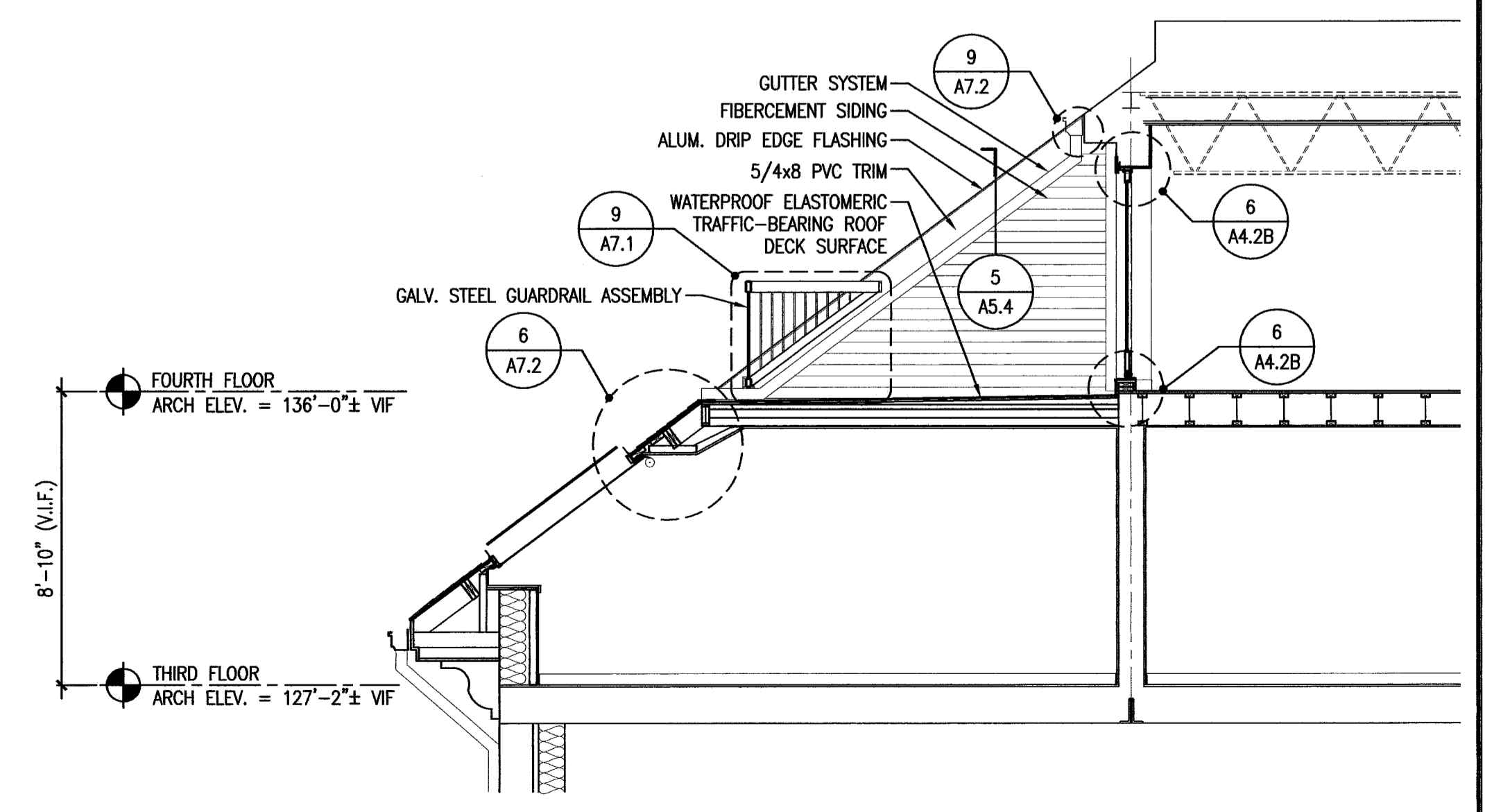
2 TYP. DETAIL @ EXIST. RUBBLE FOUNDATION WALL
REFERENCED FROM: SCALE: 3" = 1'-0"



5 ROOF RAKE TRIM DETAIL
REFERENCED FROM: SCALE: 1 1/2" = 1'-0"



6 SECTION @ TYP. EXTERIOR PERIM. FOUNDATION WALL
REFERENCED FROM: SCALE: 1 1/2" = 1'-0"



9 SECTION @ FOURTH FLR. EXTERIOR DECK
REFERENCED FROM: SCALE: 3/8" = 1'-0"

1 NOT USED
REFERENCED FROM: SCALE:

4 -
REFERENCED FROM: SCALE: 1 1/2" = 1'-0"

7 -
REFERENCED FROM: SCALE: 3" = 1'-0"

8 -
REFERENCED FROM: SCALE: