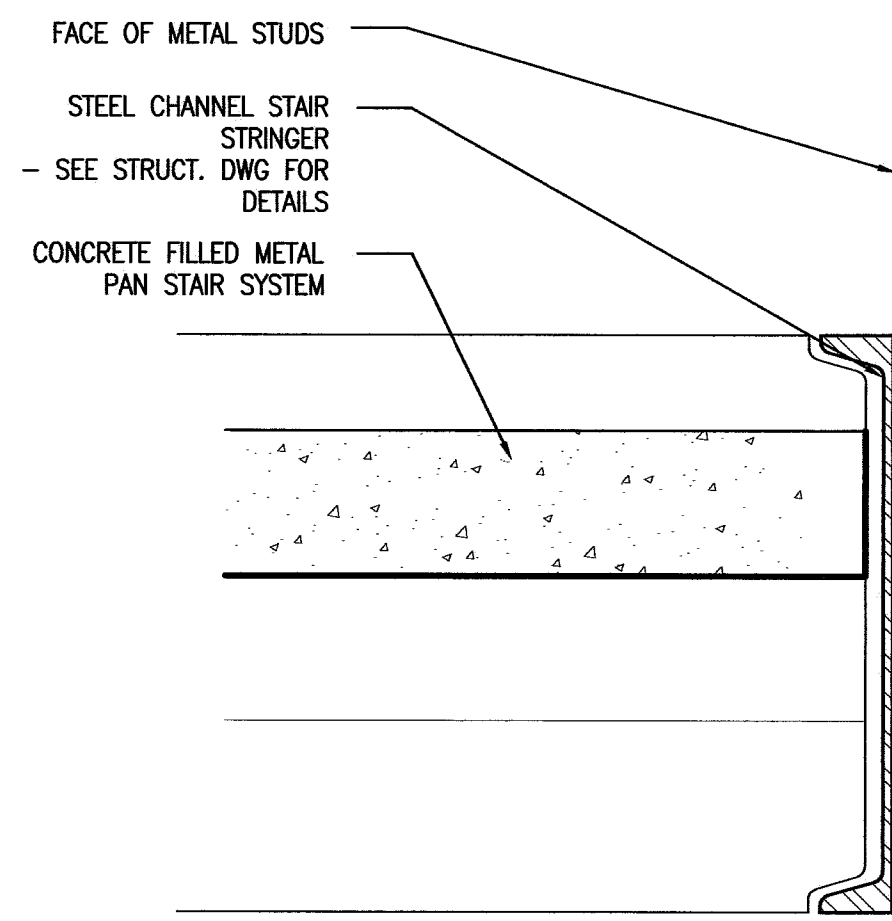


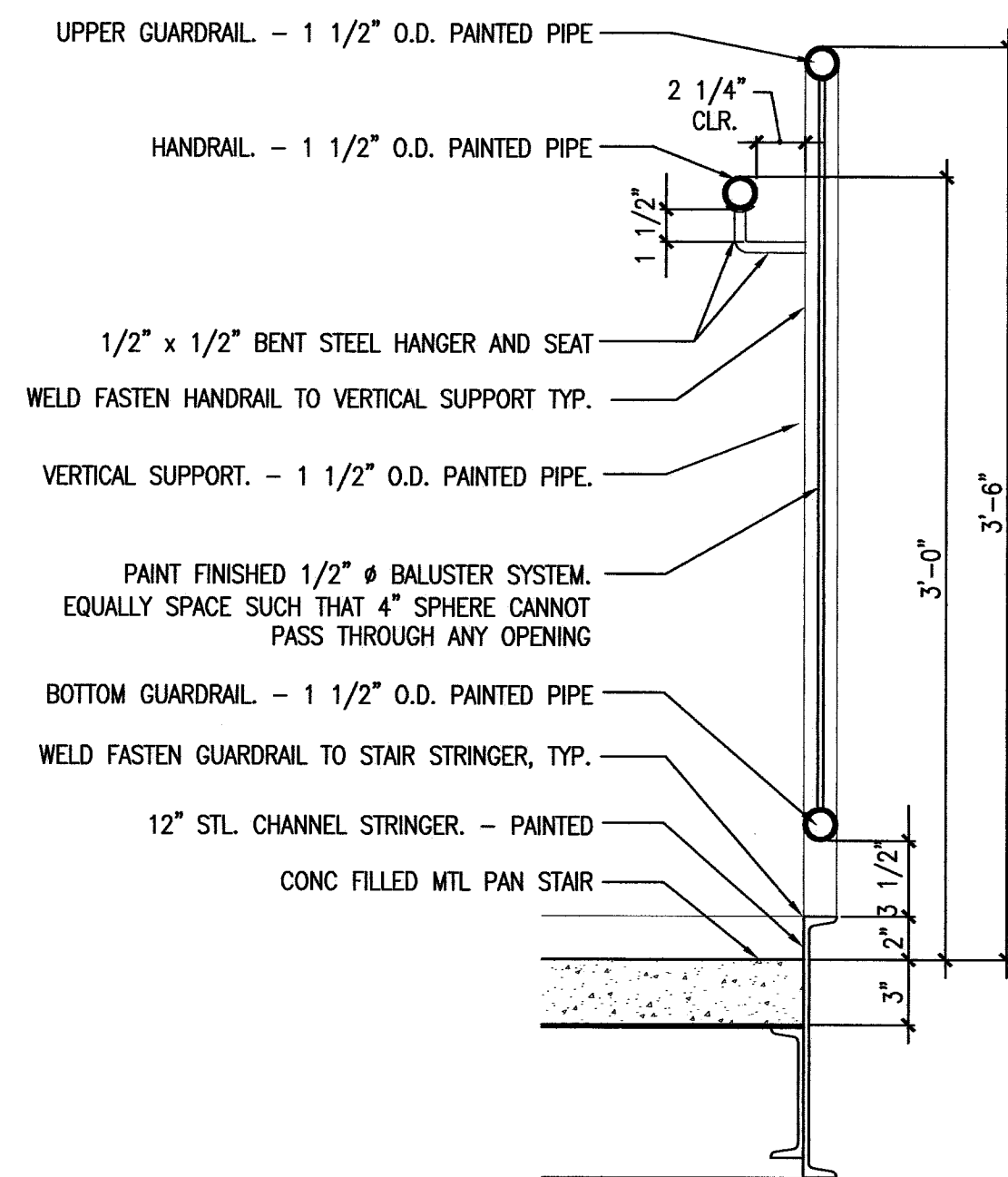
**1** TYP. BASE OF STAIR DETAIL

REFERENCED FROM: SCALE: 3" = 1'-0"



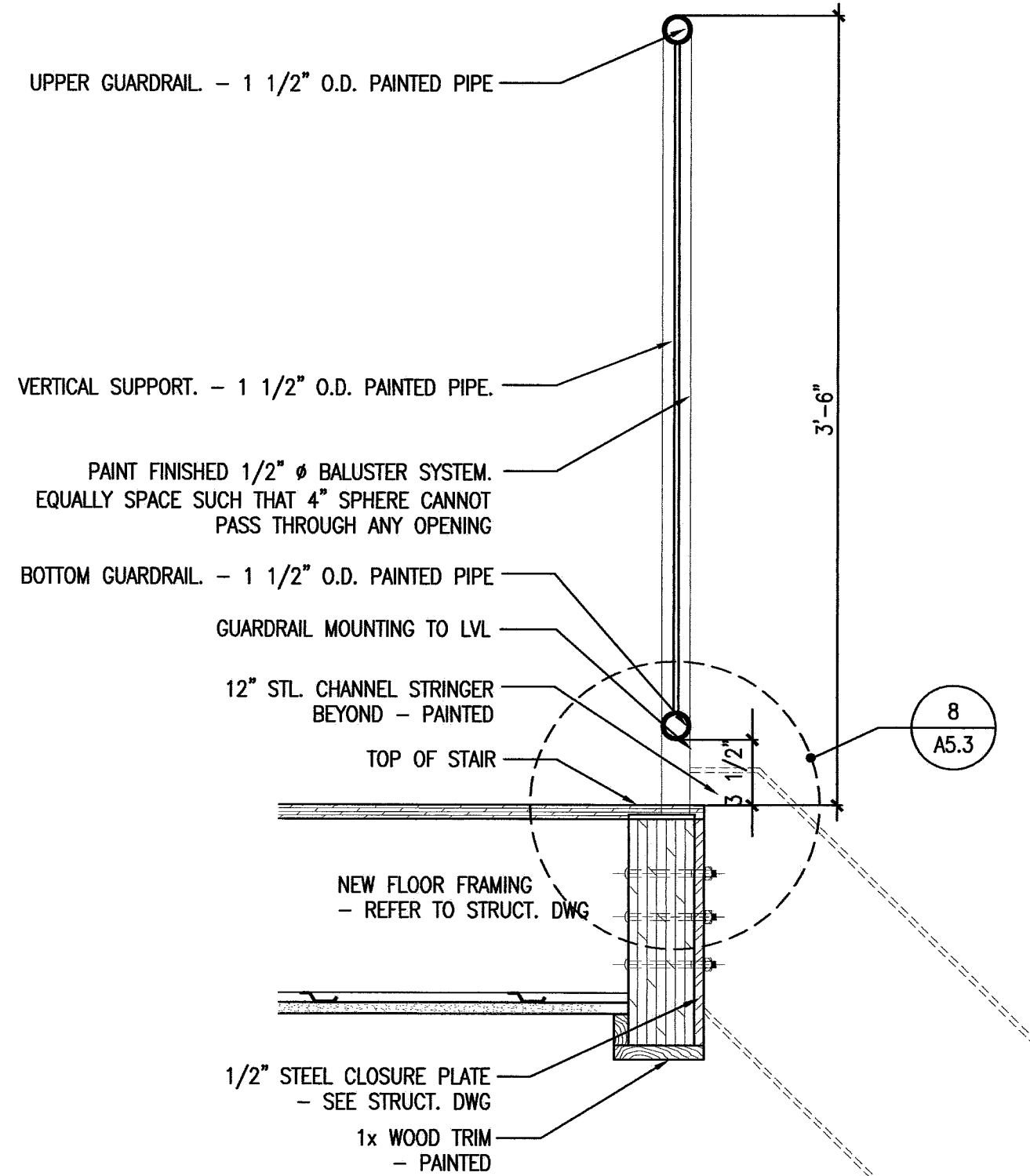
**4** DETAIL AT INT. LANDING

REFERENCED FROM: SCALE: 3" = 1'-0"



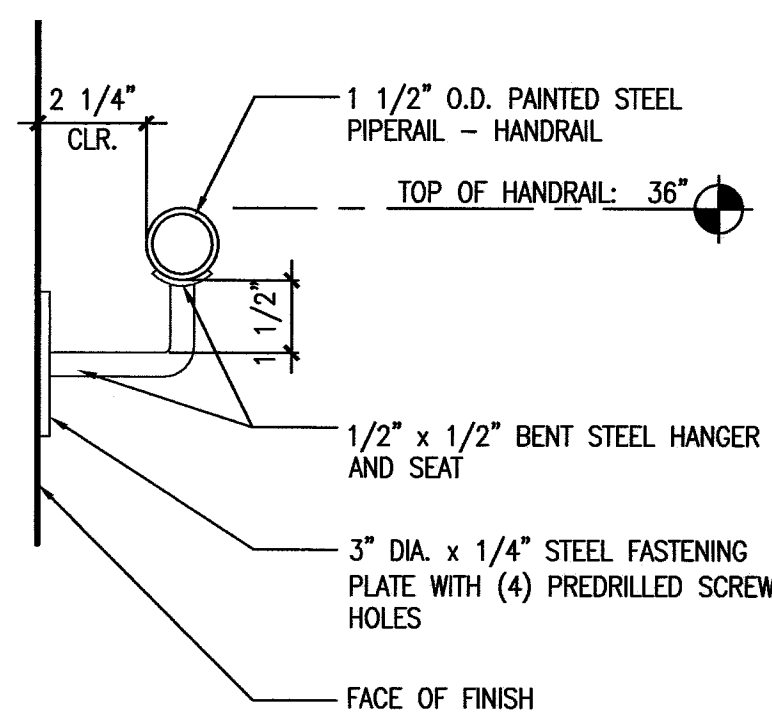
**2** TYP. HAND AND GUARDRAIL SECTION

REFERENCED FROM: SCALE: 1 1/2" = 1'-0"



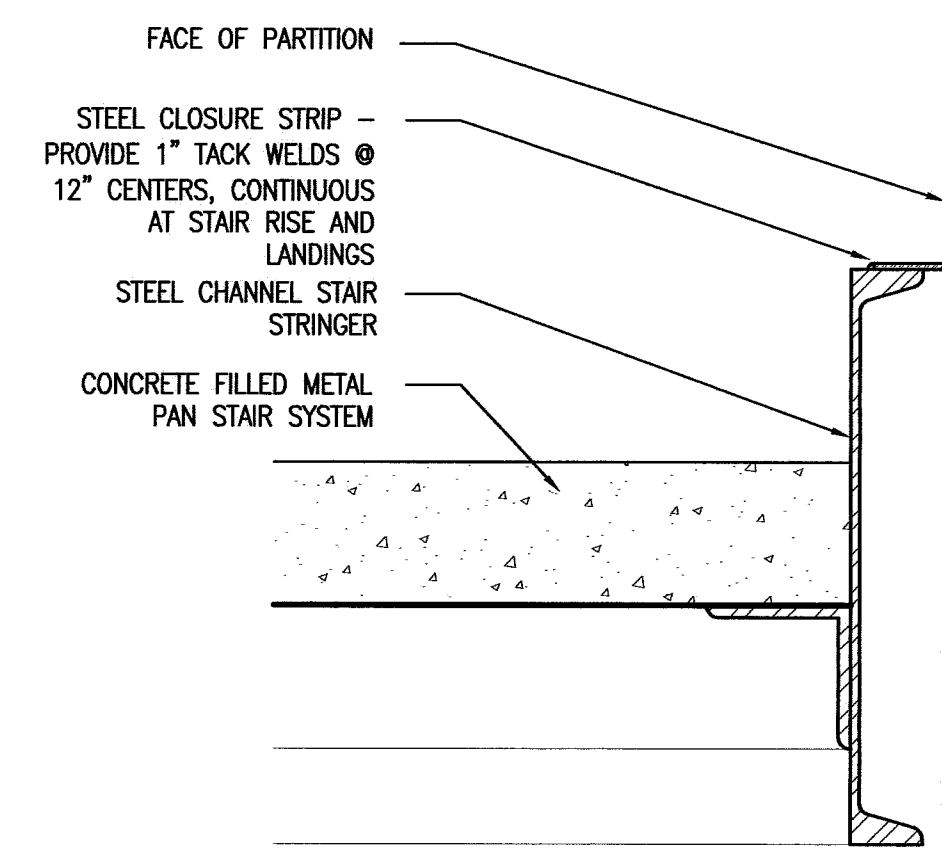
**5** TYP. GUARDRAIL SECTION

REFERENCED FROM: SCALE: 1 1/2" = 1'-0"



**3** TYP. HAND RAIL DETAIL

REFERENCED FROM: SCALE: 3" = 1'-0"

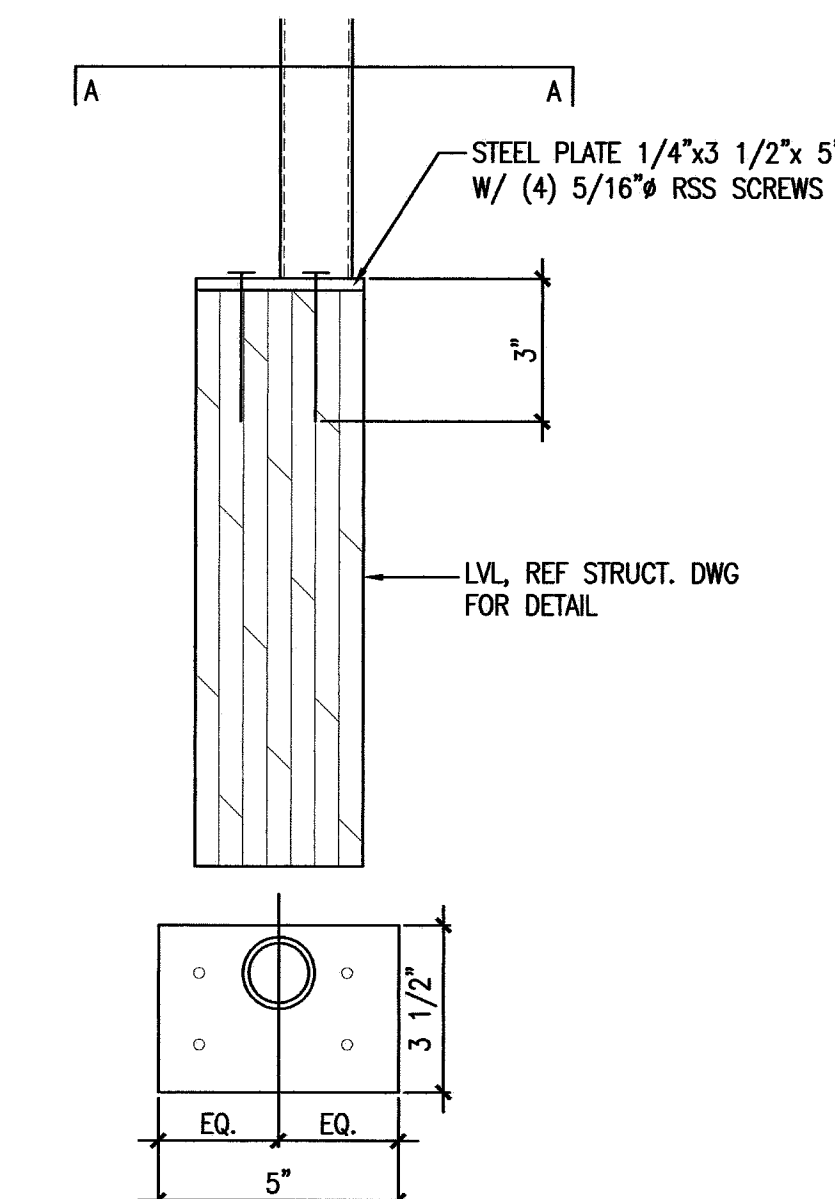


**6** TYP. EDGE OF STRINGER DETAIL

REFERENCED FROM: SCALE: 3" = 1'-0"

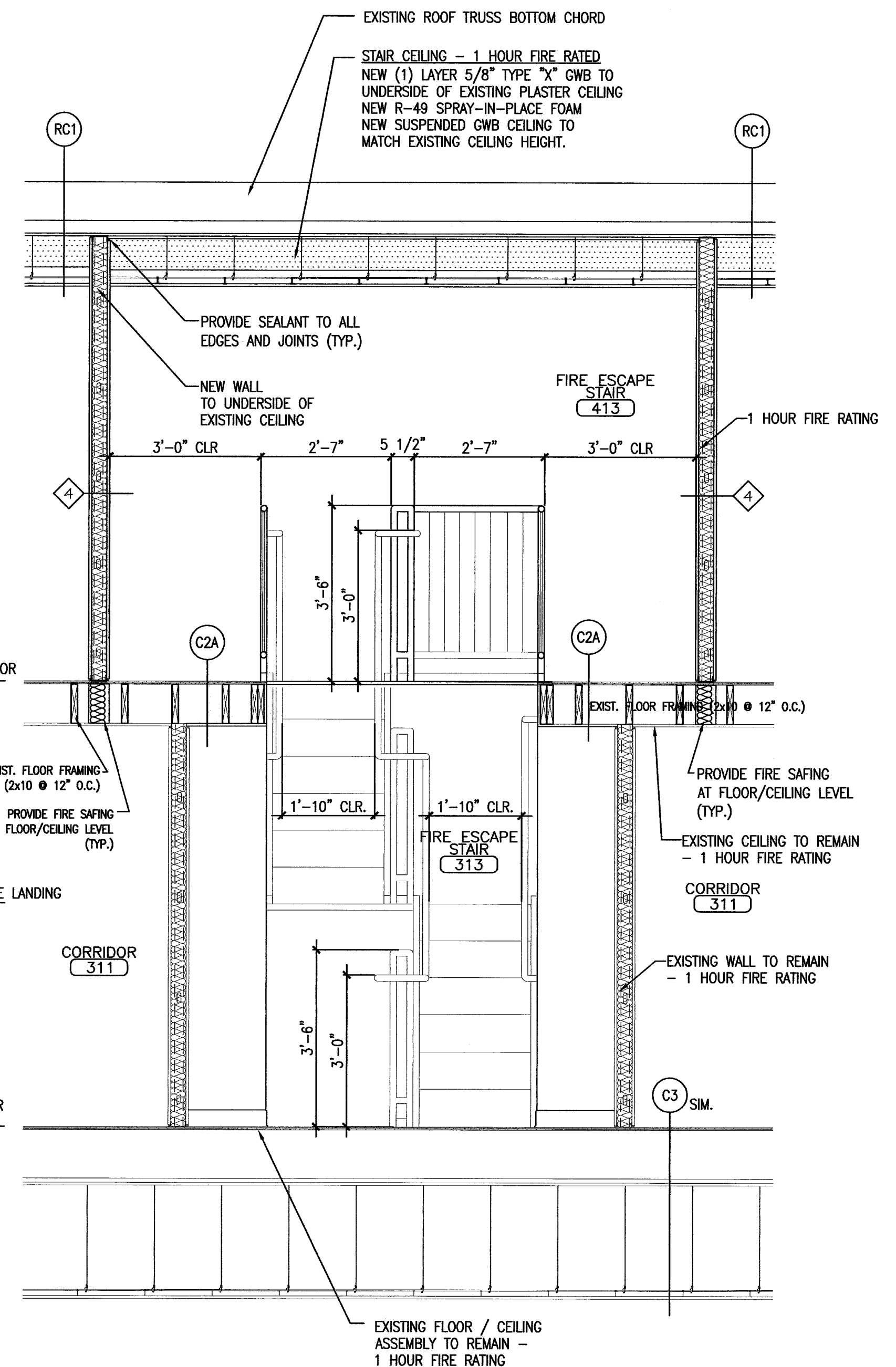
**7** SECTION @ FIRE ESCAPE STAIR

REFERENCED FROM: SCALE: 1/2" = 1'-0"



**8** GUARDRAIL BRACKET DETAIL

REFERENCED FROM: SCALE: 3" = 1'-0"



**9** GUARDRAIL BRACKET DETAIL

REFERENCED FROM: SCALE: 3" = 1'-0"

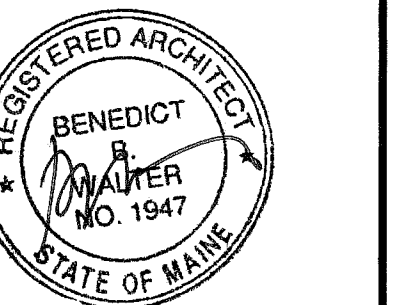


CWS Architects

Architecture  
Space Planning  
Value Design

434 Cumberland Avenue  
Portland, ME 04101  
Phone: (207)774-4441  
Fax: (207)774-4016

www.CWSarch.com



Owner:  
**Avesta Munjoy Commons, LP.**

307 Cumberland Ave.  
Portland, Maine 04101  
TEL. 207-553-7780

Client:

**Munjoy Commons Apartments**

Portland, Maine

Project No: 07429

Drawing Title:  
**EMERSON FIRE ESCAPE STAIR DETAILS**

Scale: AS NOTED

Date: August 28, 2009

Revisions:

- △
- △
- △
- △
- △
- △

Drawing Number:

**EMERSON A5.3**