

Owner:
Avesta Munjoy Commons, LP.

307 Cumberland Ave.
Portland, Maine 04101
TEL. 207-553-7780

Client:

Munjoy Commons Apartments

Portland, Maine

Project No: 07429

Drawing Title:
EMERSON STAIR SECTIONS

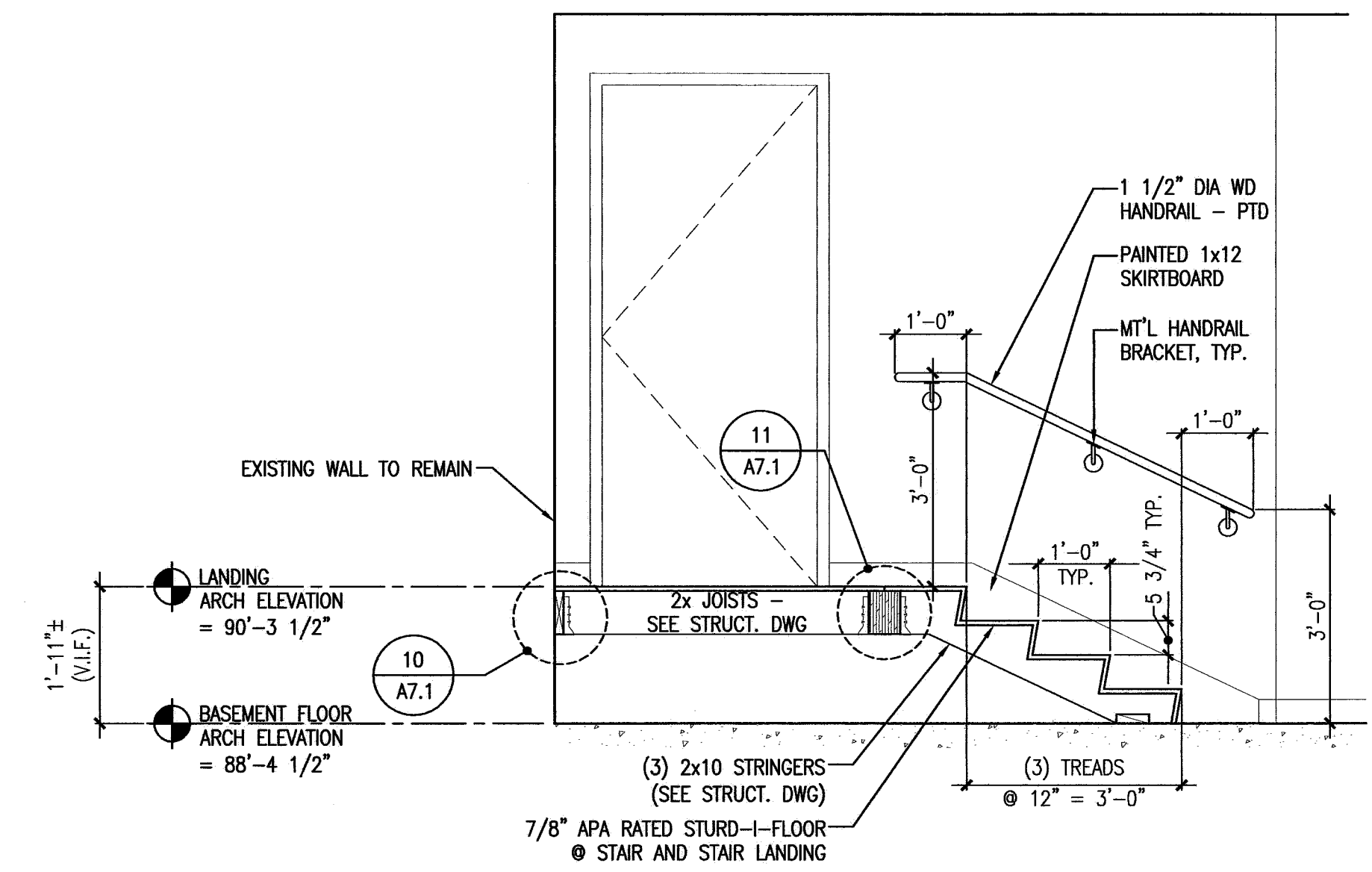
Scale: 1/2" = 1'-0"

Date: August 28, 2009

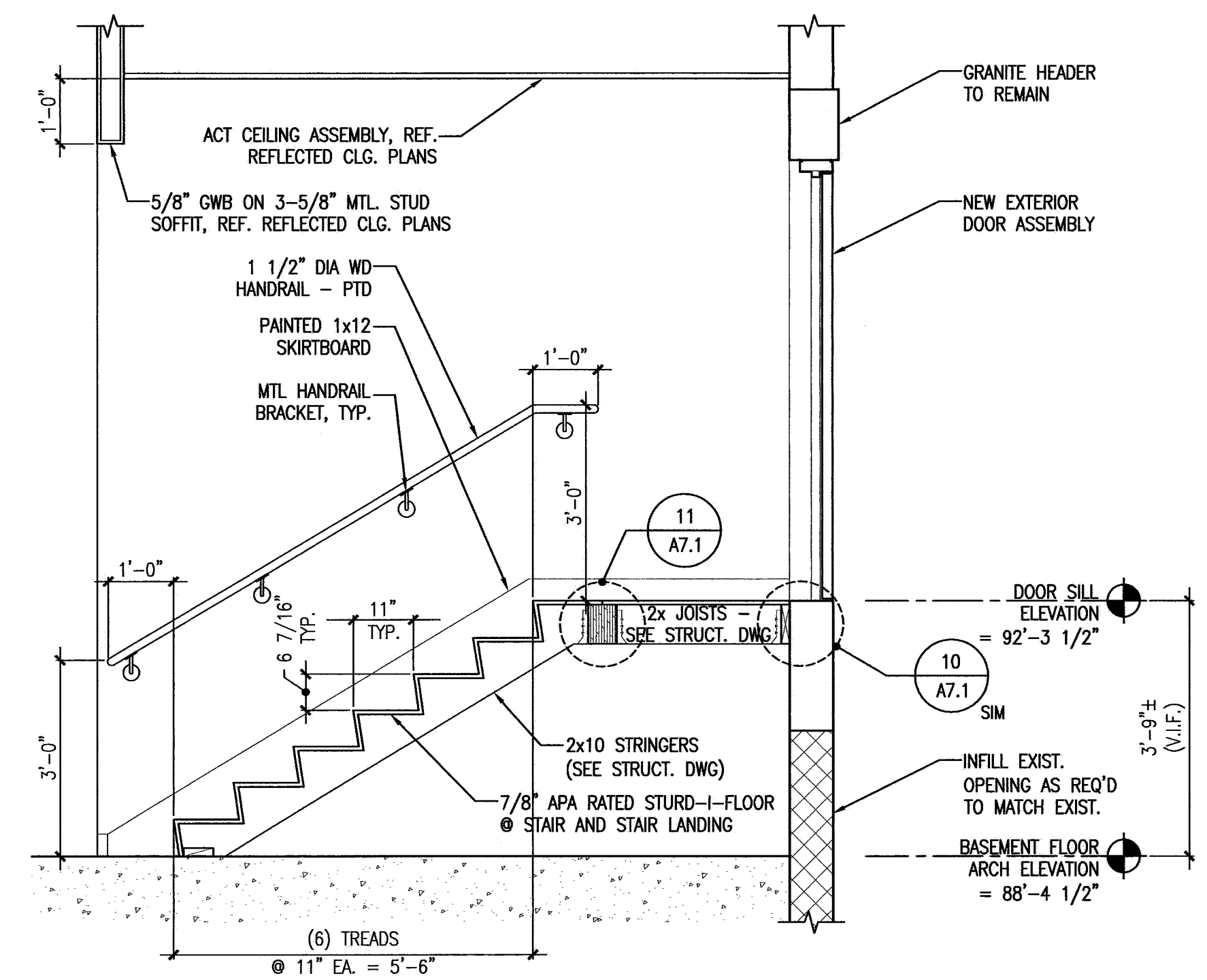
Revisions:

- △
- △
- △
- △
- △
- △

Drawing Number:
EMERSON A5.1



3 NEW STAIR #4 - SECTION
REFERENCED FROM: SCALE: 1/2" = 1'-0"



6 NEW STAIR #3 - SECTION
REFERENCED FROM: SCALE: 1/2" = 1'-0"

1 REFERENCED FROM:

2 REFERENCED FROM:

4 REFERENCED FROM:

5 REFERENCED FROM: