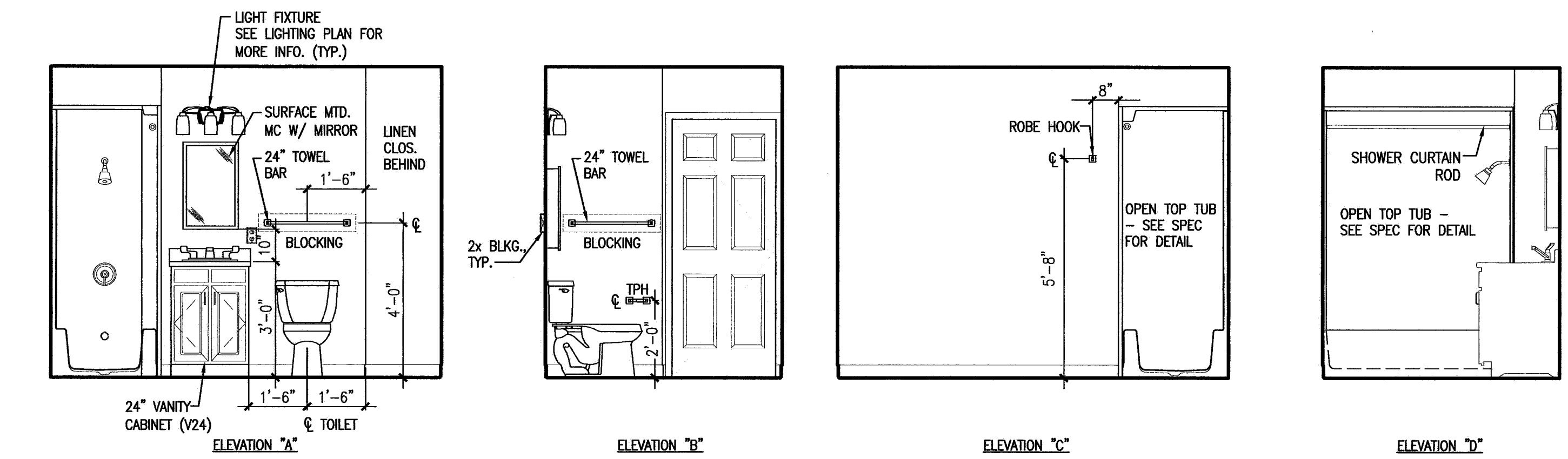
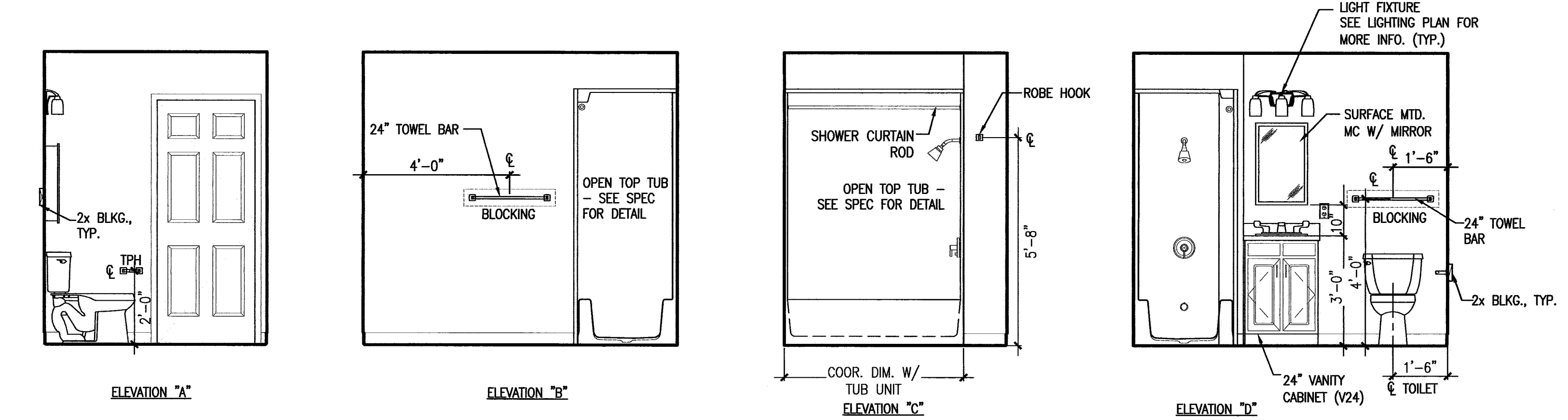


2 BATHROOM ELEVATIONS - FIRST AND SECOND FLOOR
 REFERENCED FROM: SCALE: 3/8" = 1'-0"



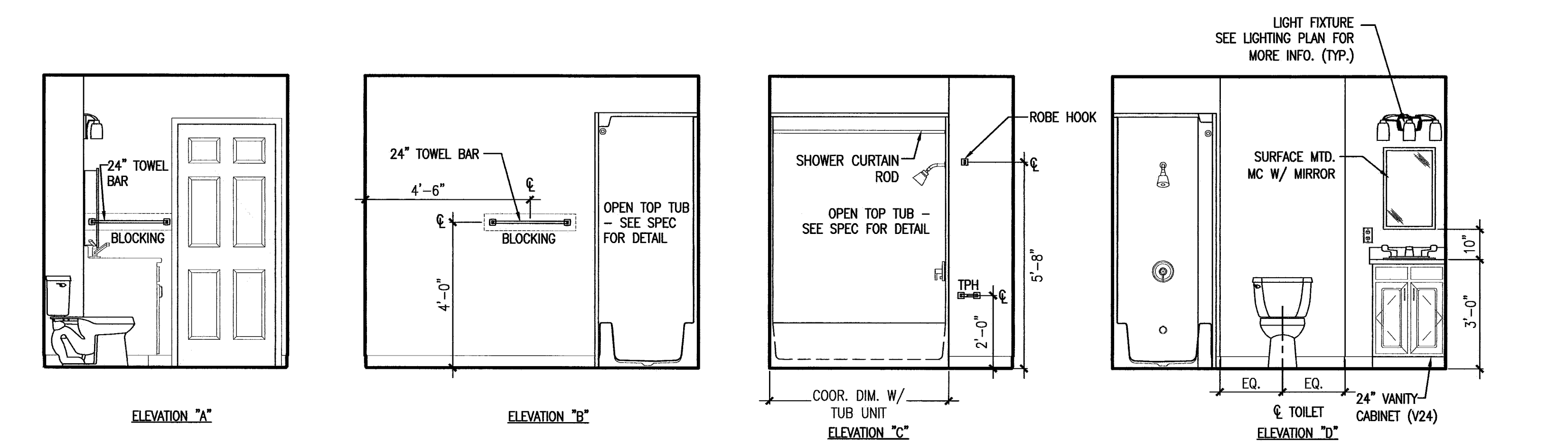
6 BATHROOM ELEVATIONS - THIRD FLOOR
 REFERENCED FROM: SCALE: 3/8" = 1'-0"



3 BATHROOM ELEVATIONS - FIRST AND SECOND FLOOR
 REFERENCED FROM: SCALE: 3/8" = 1'-0"



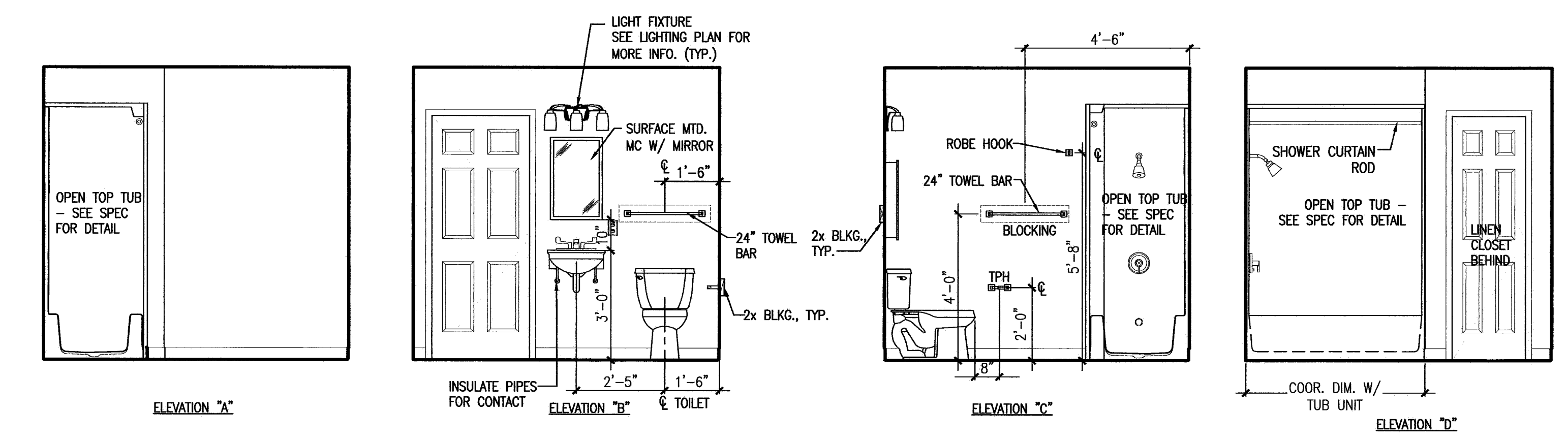
7
 REFERENCED FROM: SCALE:



4 BATHROOM ELEVATIONS - FIRST AND SECOND FLOOR
 REFERENCED FROM: SCALE: 3/8" = 1'-0"



8
 REFERENCED FROM: SCALE:

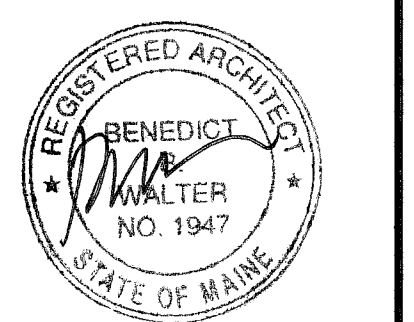


5 BATHROOM ELEVATIONS - BASEMENT FLOOR
 REFERENCED FROM: SCALE: 3/8" = 1'-0"



9
 REFERENCED FROM: SCALE:

CWS
 CWS Architects
 Architecture
 Space Planning
 Value Design
 434 Cumberland Avenue
 Portland, ME 04101
 Phone: (207) 774-4441
 Fax: (207) 774-4016
 www.CWSarch.com



Owner:
Avesta Munjoy Commons, LP.
 307 Cumberland Ave.
 Portland, Maine 04101
 TEL: 207-553-7780
 Client:

Munjoy Commons Apartments
 Portland, Maine

Project No: 07429
 Drawing Title:
EMERSON BATHROOM ELEVATIONS

Scale: AS NOTED
 Date: August 28, 2009
 Revisions:
 △
 △
 △
 △
 △
 △

Drawing Number:
EMERSON A4.6