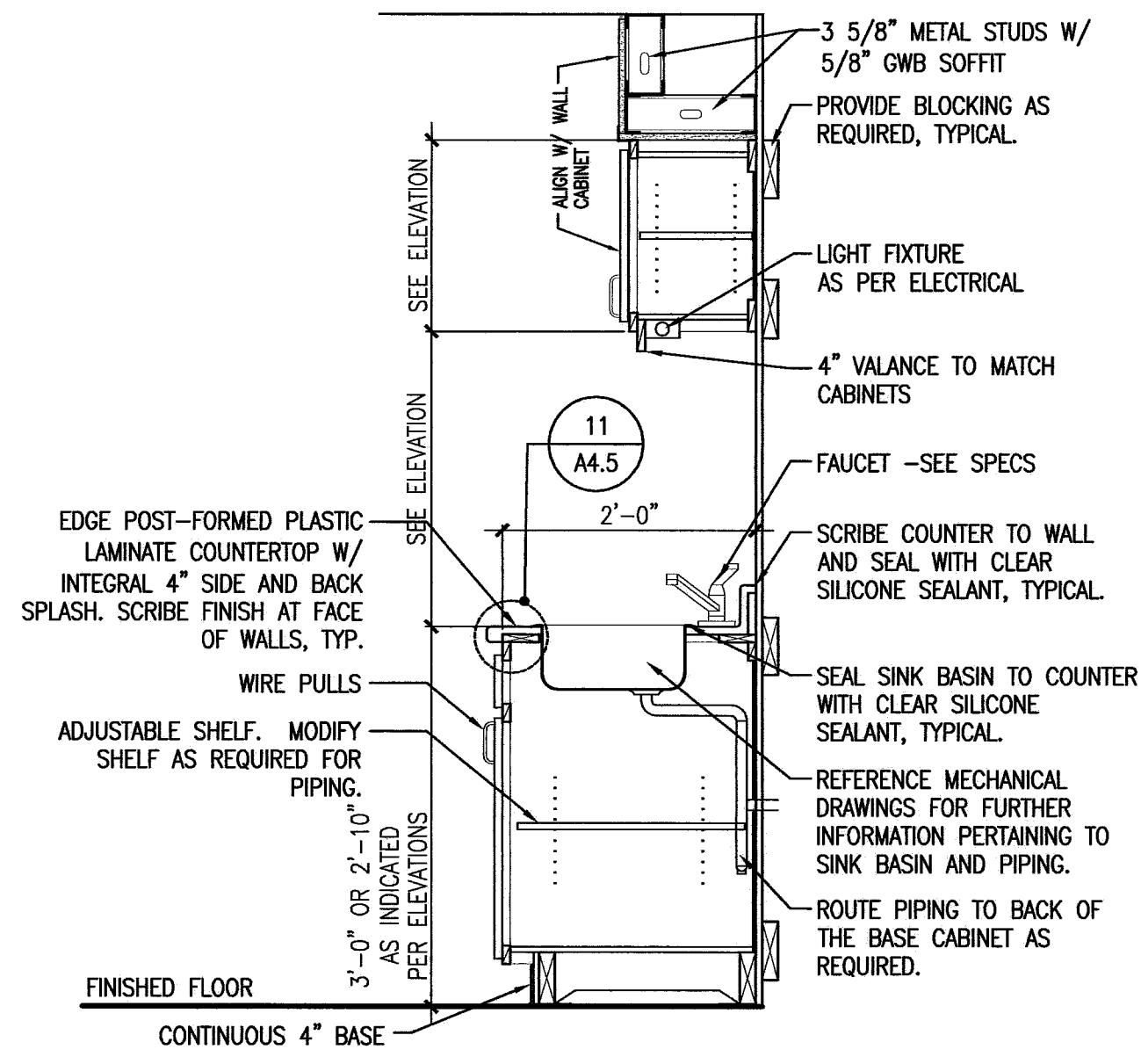


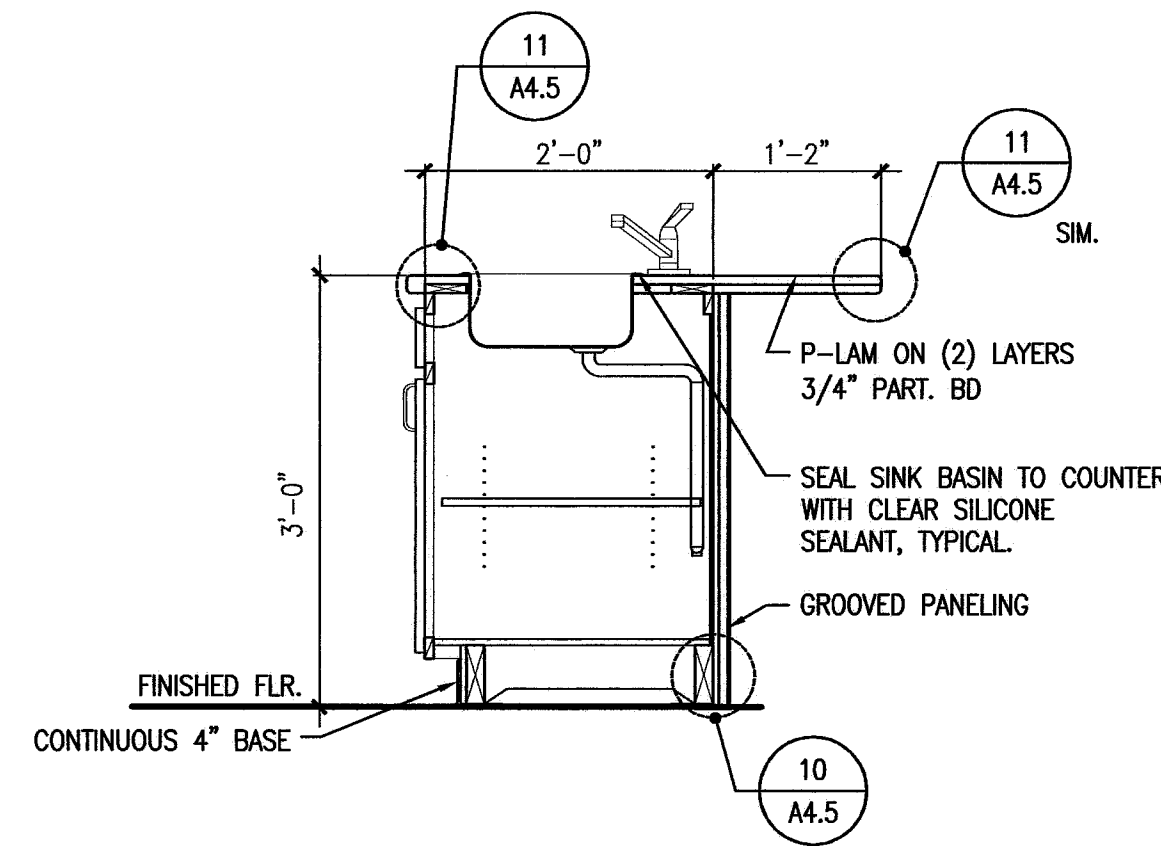
1 KITCHEN - SECTION ARCHED OPENING (TYP.)

REFERENCED FROM: SCALE: 3/4" = 1'-0"



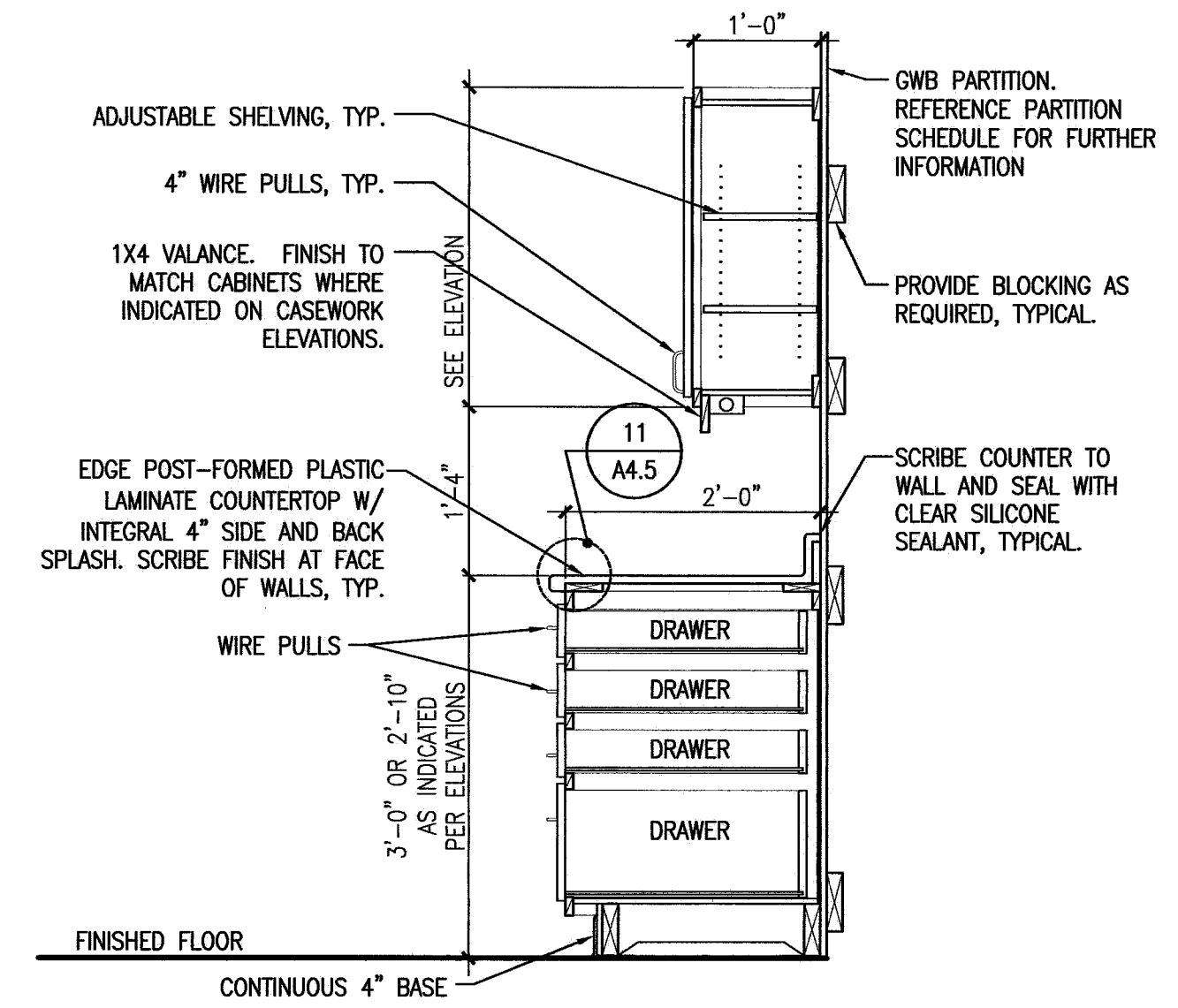
2 KITCHEN - SINK SECTION

REFERENCED FROM: SCALE: 3/4" = 1'-0"



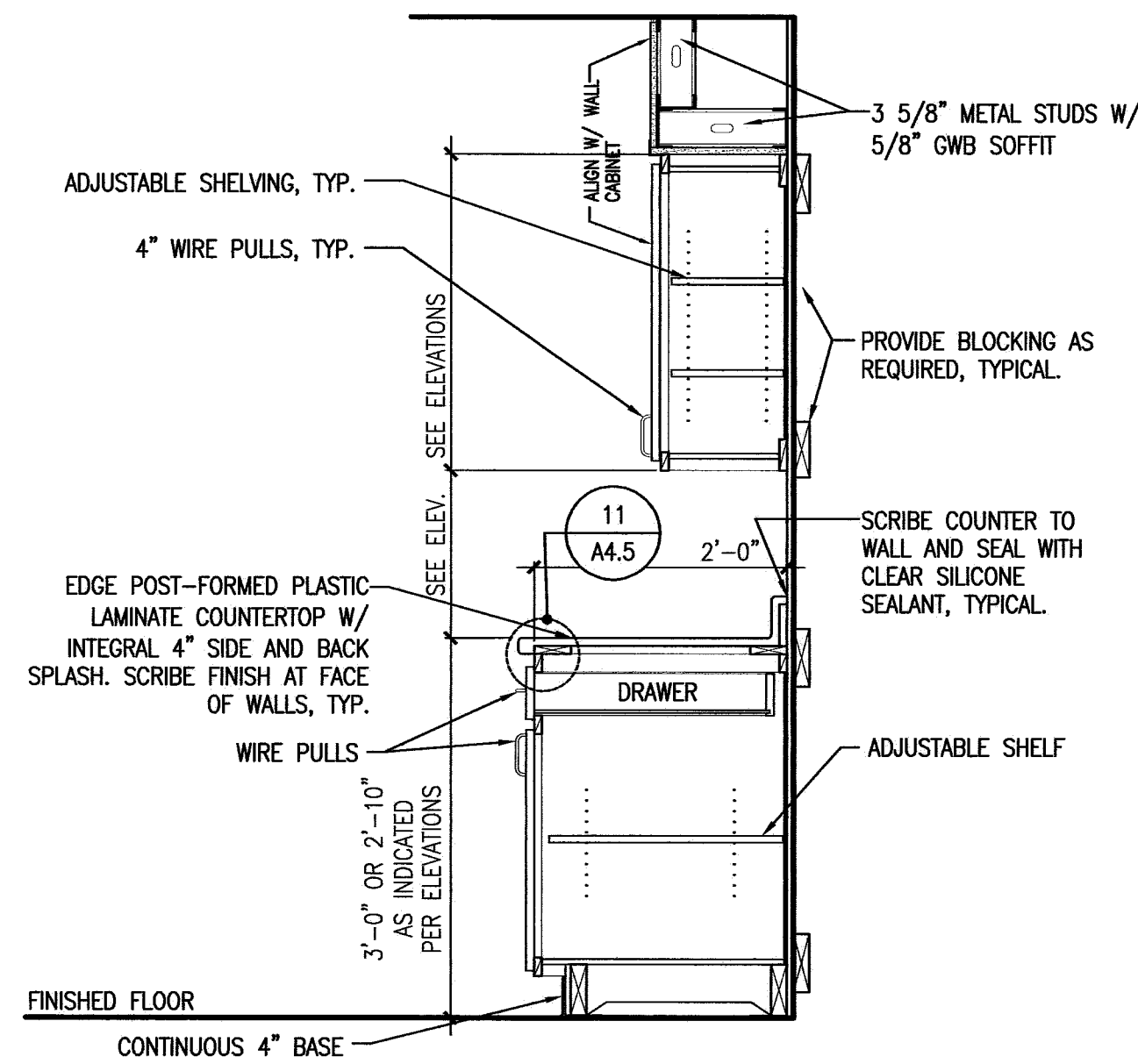
3 BREAKFAST COUNTER AT UNIT (TYP.)

REFERENCED FROM: SCALE: 3/4" = 1'-0"



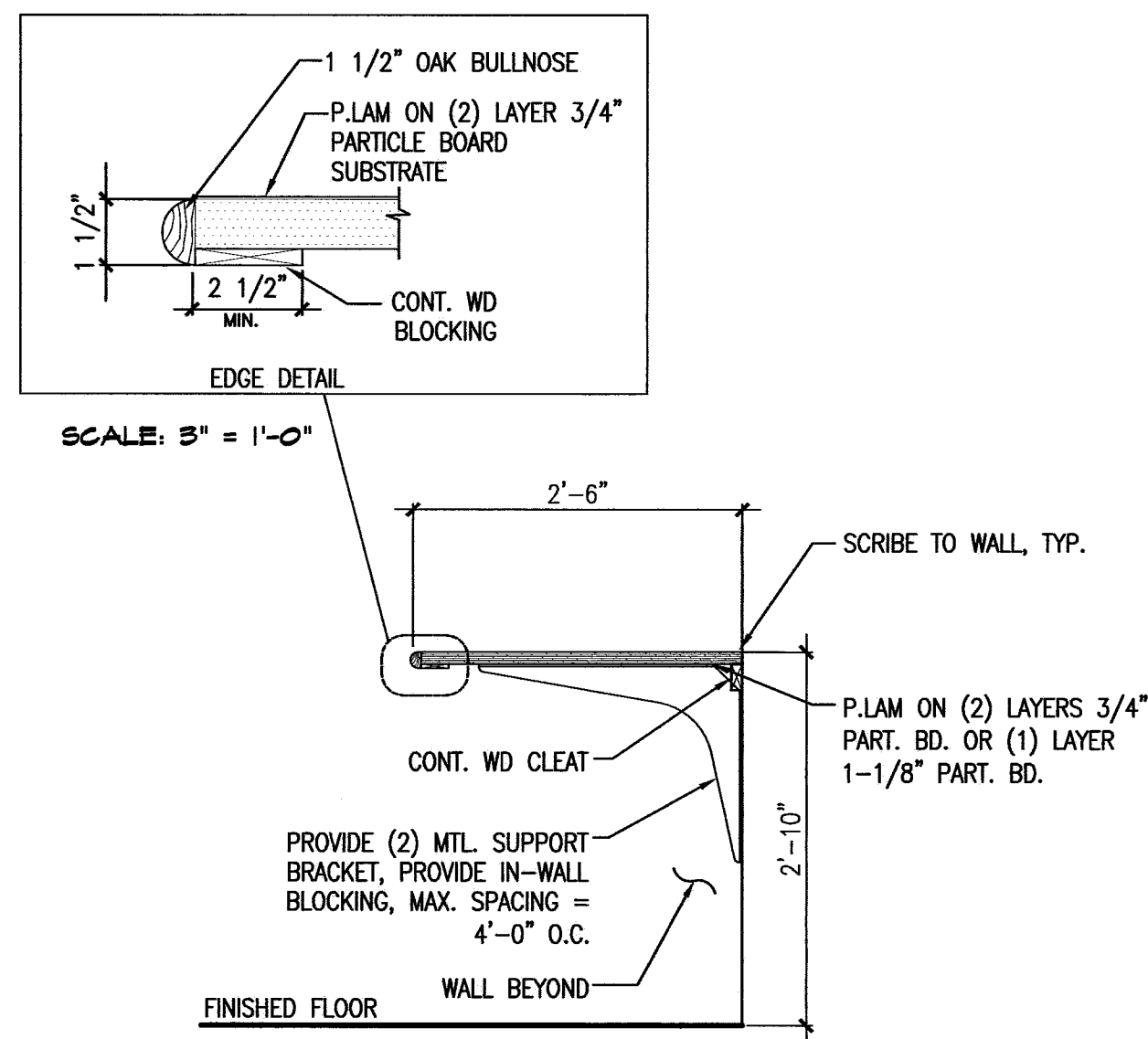
4 KITCHEN - DRAWER BASE SECTION (TYP.)

REFERENCED FROM: SCALE: 3/4" = 1'-0"



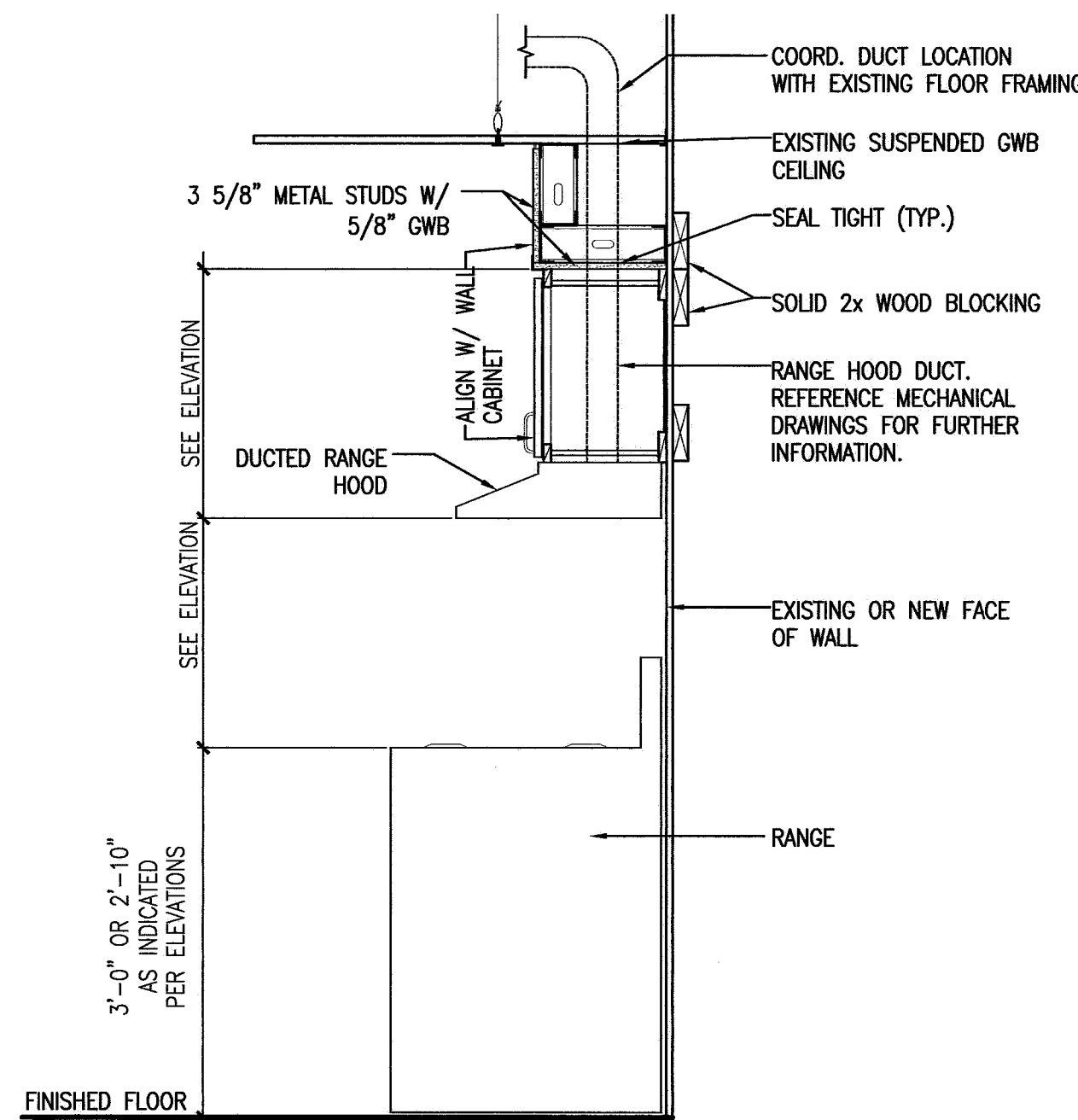
5 KITCHEN - BASE CABINET SECTION (TYP.)

REFERENCED FROM: SCALE: 3/4" = 1'-0"



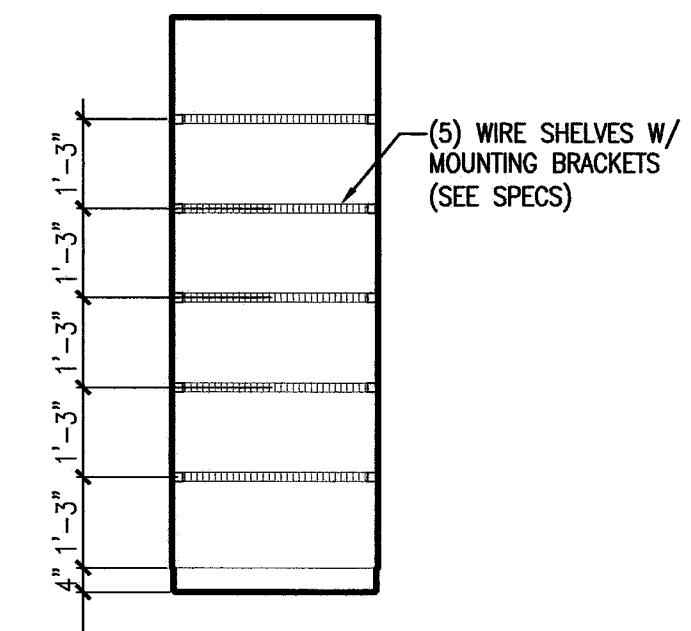
6 LAUNDRY ROOM COUNTERTOP

REFERENCED FROM: SCALE: 3/4" = 1'-0"



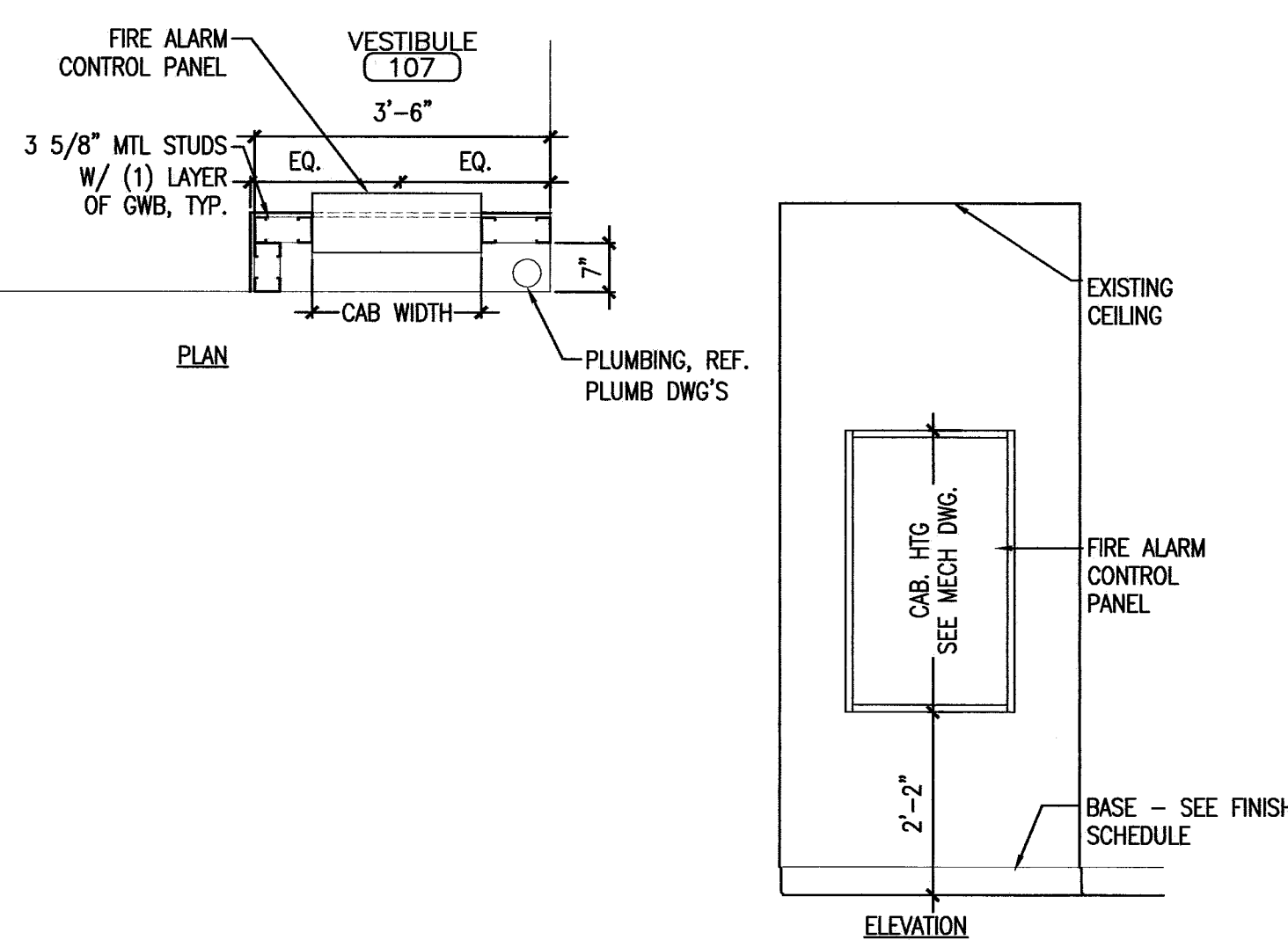
7 WALL CABINET @ DUCTED RANGE HOOD

REFERENCED FROM: SCALE: 3/4" = 1'-0"



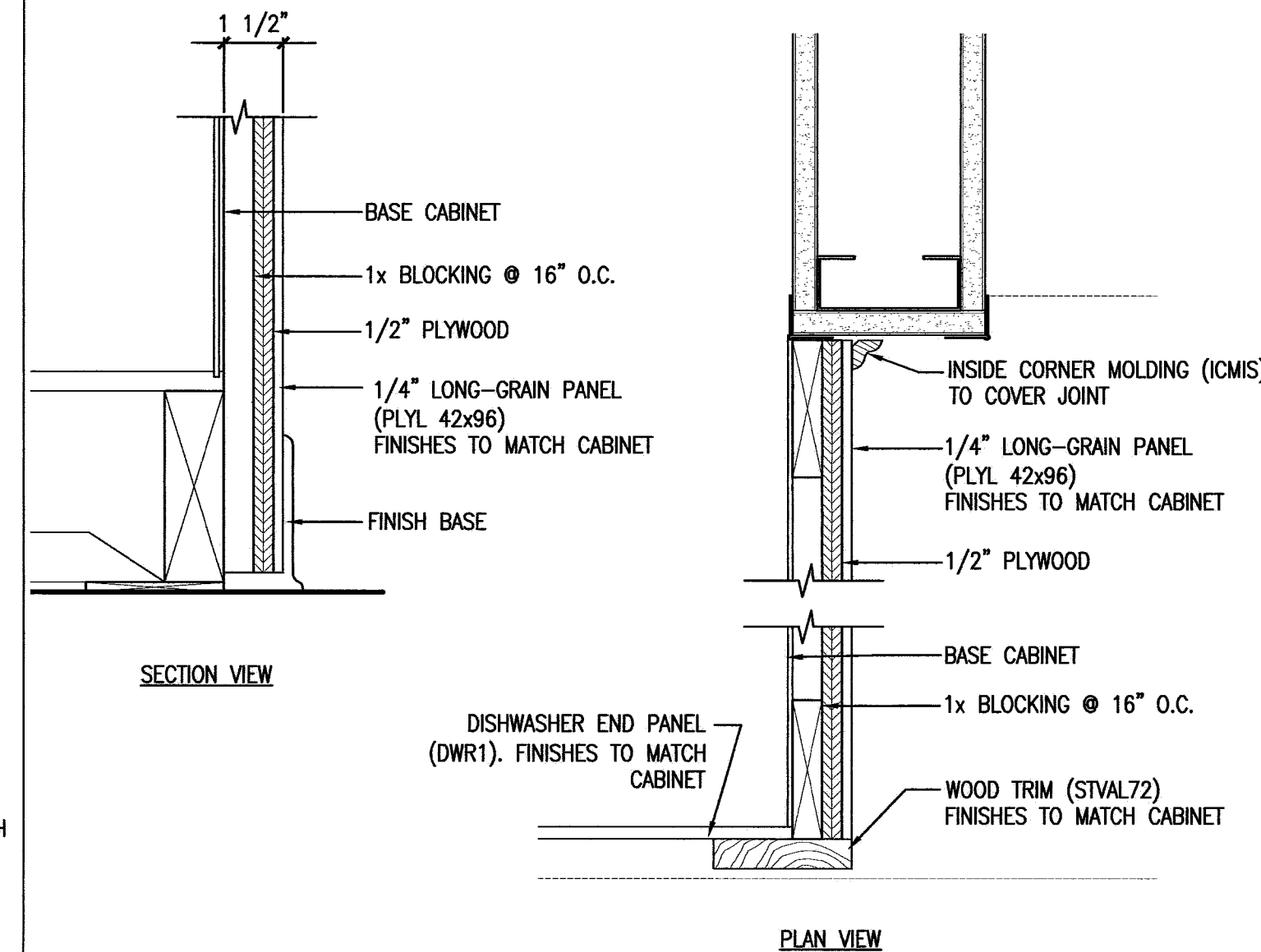
8 TYPICAL SHELVES MOUNTING HEIGHT

REFERENCED FROM: SCALE: 3/8" = 1'-0"



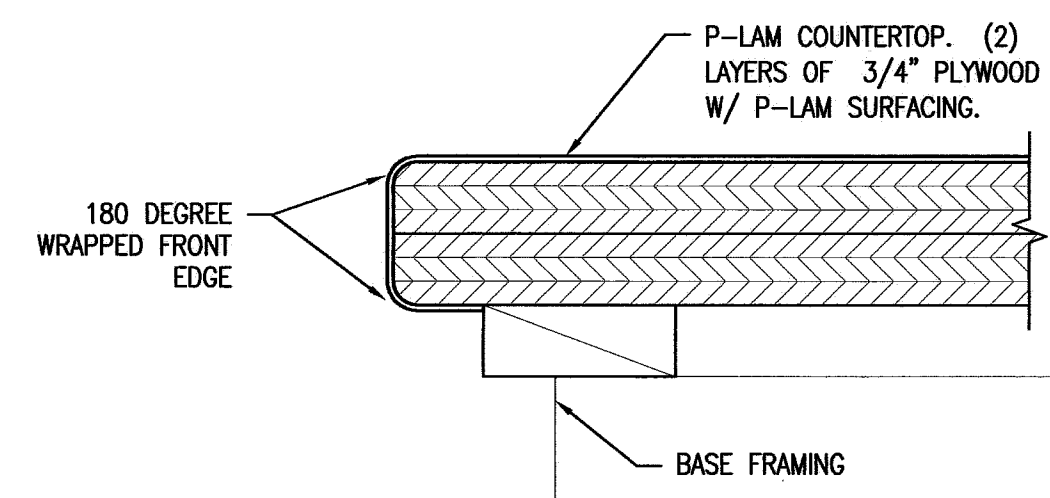
9 FIRE ALARM PANEL

REFERENCED FROM: SCALE: 1/2" = 1'-0"



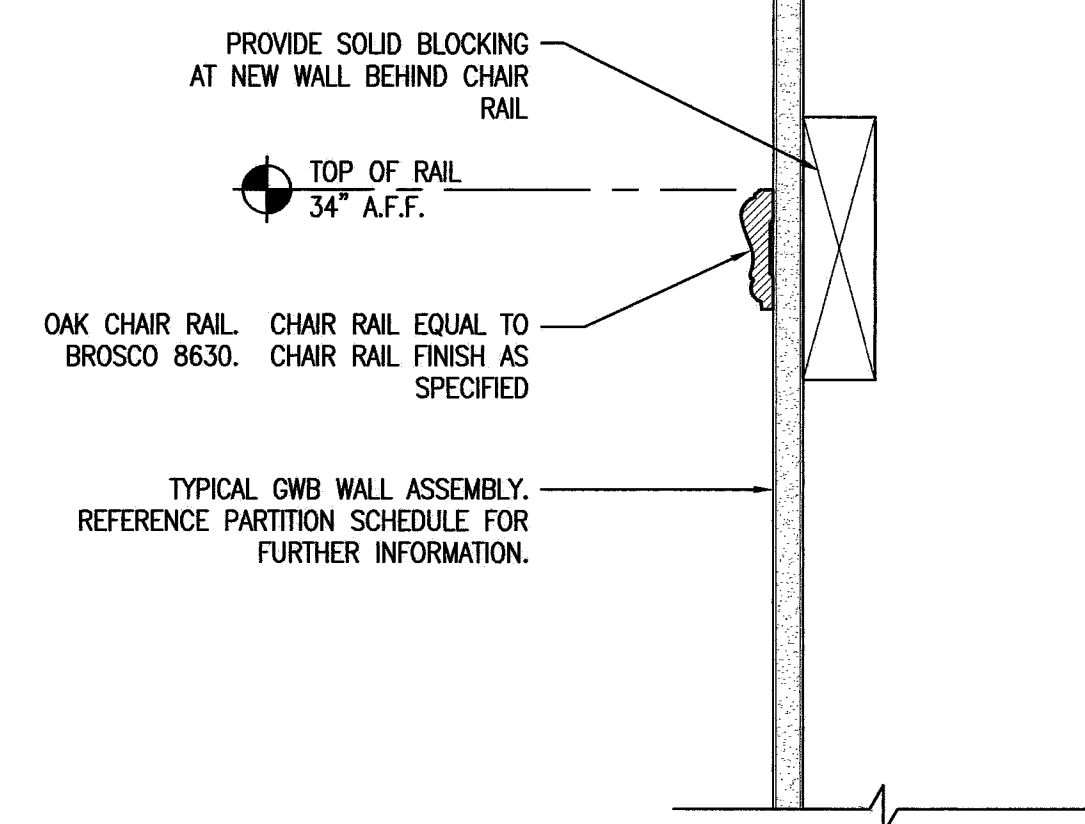
10 GROOVED PANELING DETAILS

REFERENCED FROM: SCALE: 3" = 1'-0"



11 COUNTERTOP EDGE DETAIL

REFERENCED FROM: SCALE: 6" = 1'-0"



12 DETAIL @ CORRIDOR CHAIR RAIL

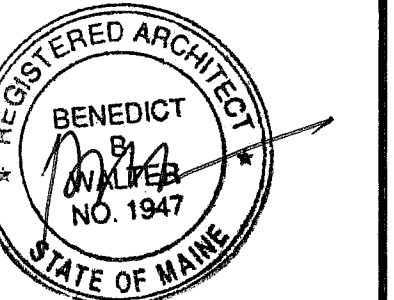
REFERENCED FROM: SCALE: 3" = 1'-0"



CWS Architects

Architecture
Space Planning
Value Design

434 Cumberland Avenue
Portland, ME 04101
Phone: (207)774-4441
Fax: (207)774-4016
www.CWSarch.com



Owner:

Avesta Munjoy Commons, LP.

307 Cumberland Ave.
Portland, Maine 04101
TEL. 207-553-7780

Client:

Munjoy Commons Apartments

Portland, Maine

Project No: 07429

Drawing Title:
EMERSON SECTIONS AND DETAILS

Scale: AS NOTED
Date: August 28, 2009

Revisions:

- △
- △
- △
- △
- △

Drawing Number:

EMERSON A4.5