

**1** KITCHEN ELEVATIONS (THIRD FLOOR AT EMERSON)

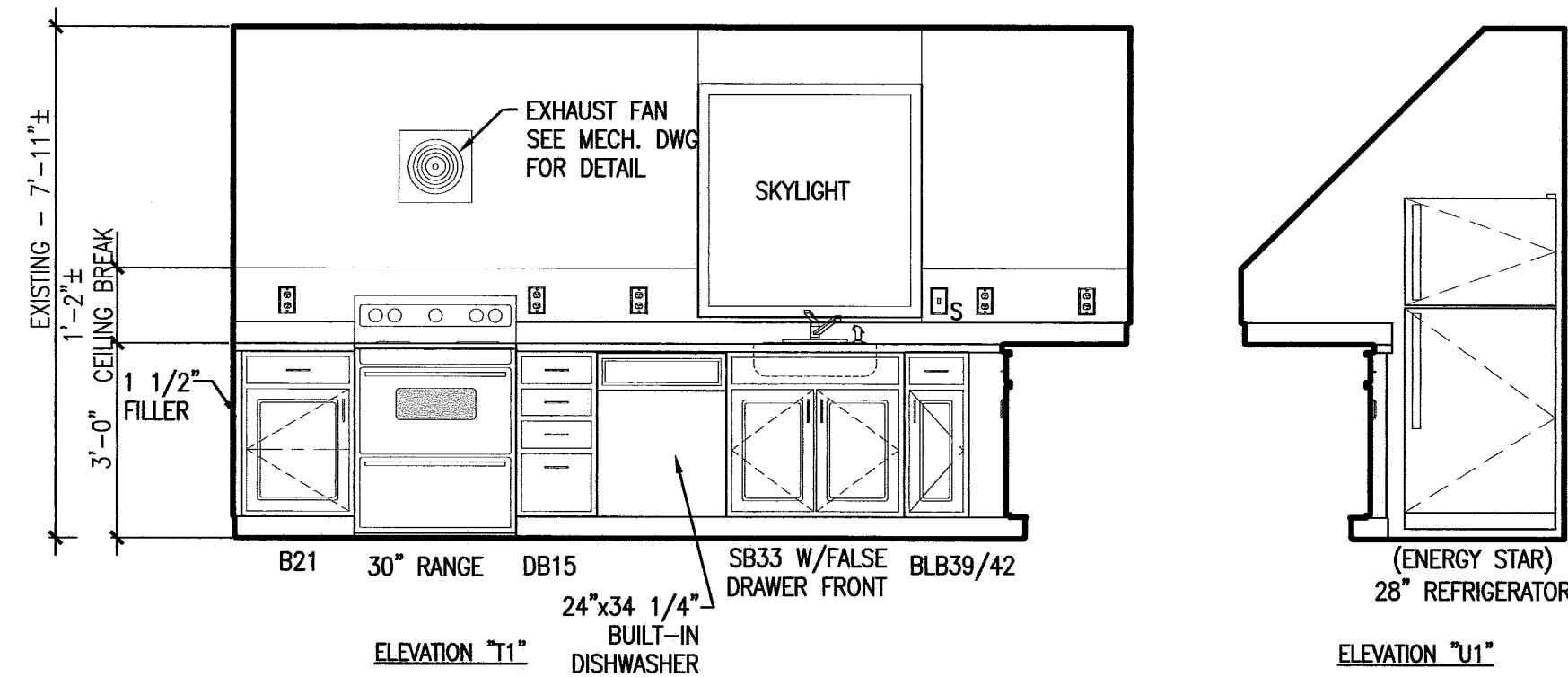
REFERENCED FROM:

SCALE: 3/8" = 1'-0"

**2** KITCHEN PLAN - THIRD FLOOR

REFERENCED FROM:

SCALE: 3/8" = 1'-0"



**3** KITCHEN ELEVATIONS (FOURTH FLOOR AT EMERSON)

REFERENCED FROM:

SCALE: 3/8" = 1'-0"

**4** KITCHEN PLAN - FOURTH FLOOR

REFERENCED FROM:

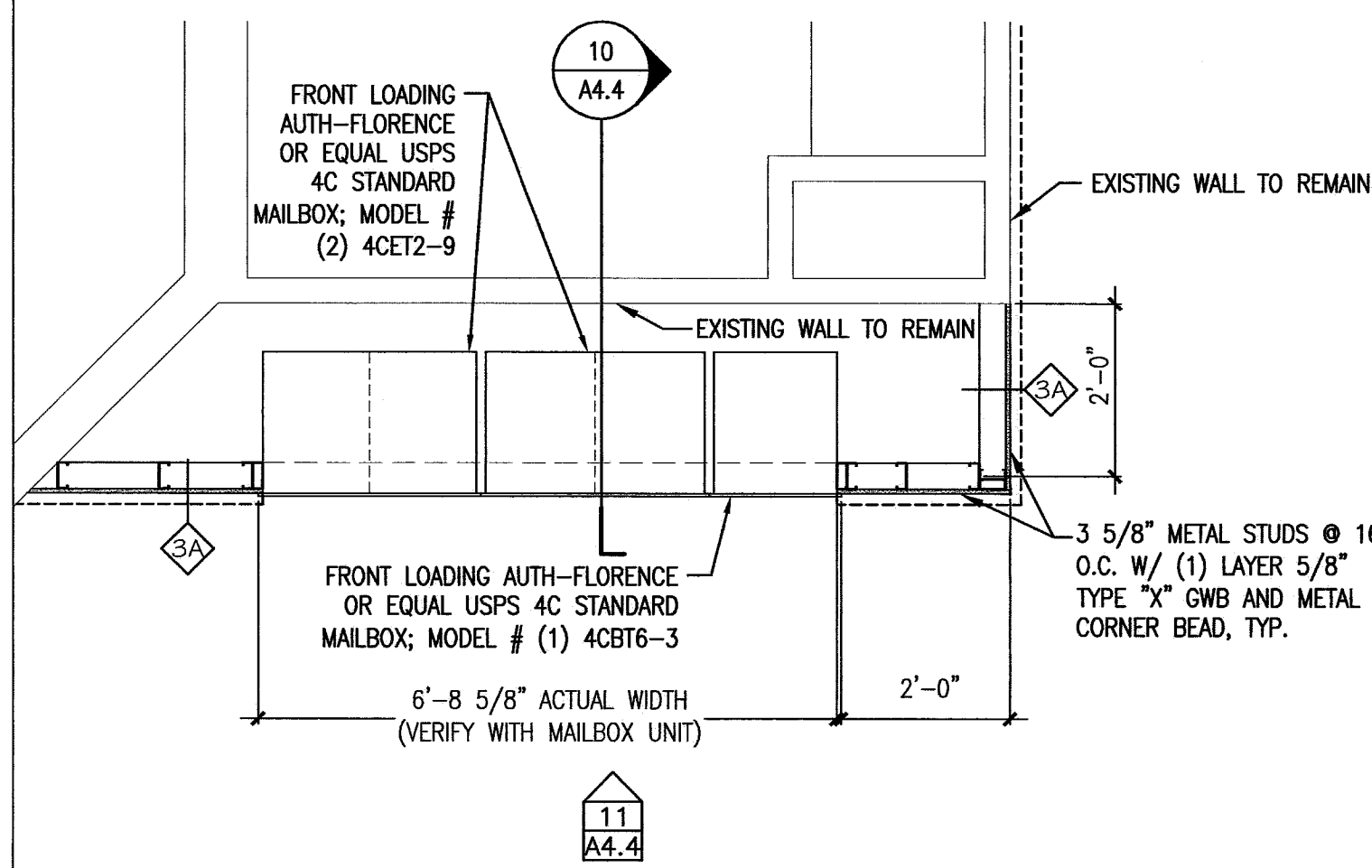
SCALE: 3/8" = 1'-0"

**5** REFERENCED FROM: SCALE: 3/8" = 1'-0"

**6** REFERENCED FROM: SCALE: 3/8" = 1'-0"

**7** REFERENCED FROM: SCALE: 3/8" = 1'-0"

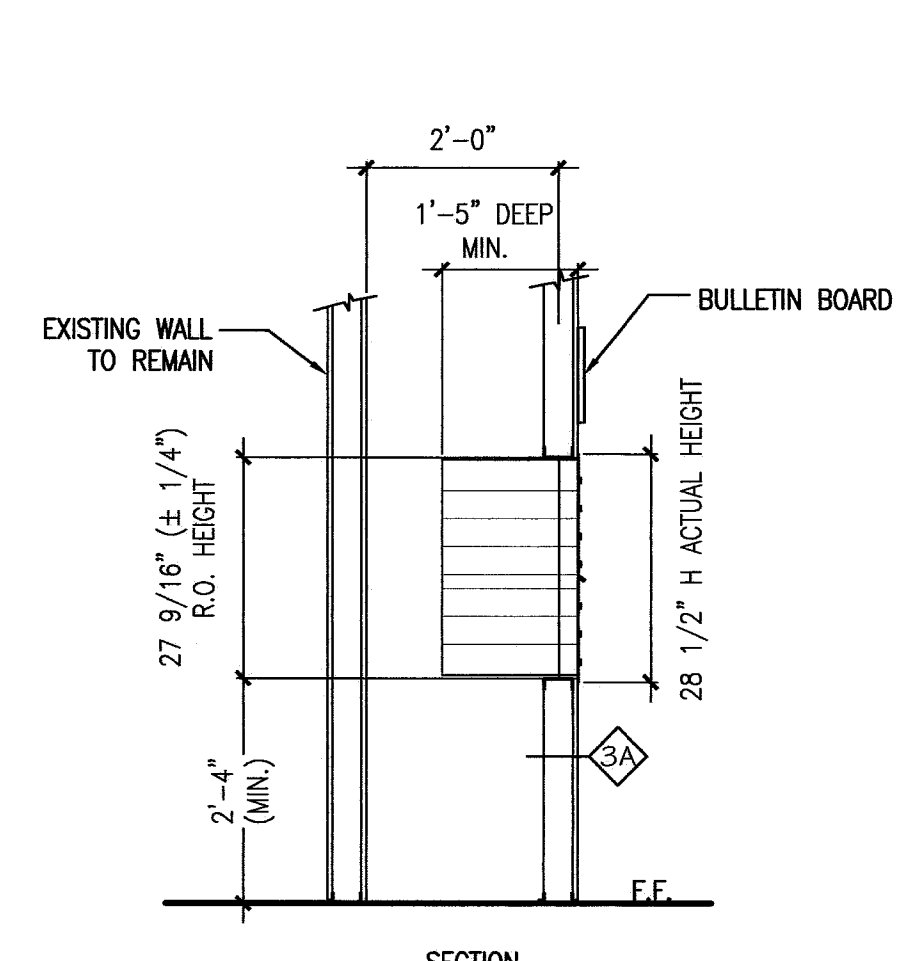
**7** REFERENCED FROM: SCALE: 3/8" = 1'-0"



**9** MAILBOXES ENLARGED PLAN

REFERENCED FROM:

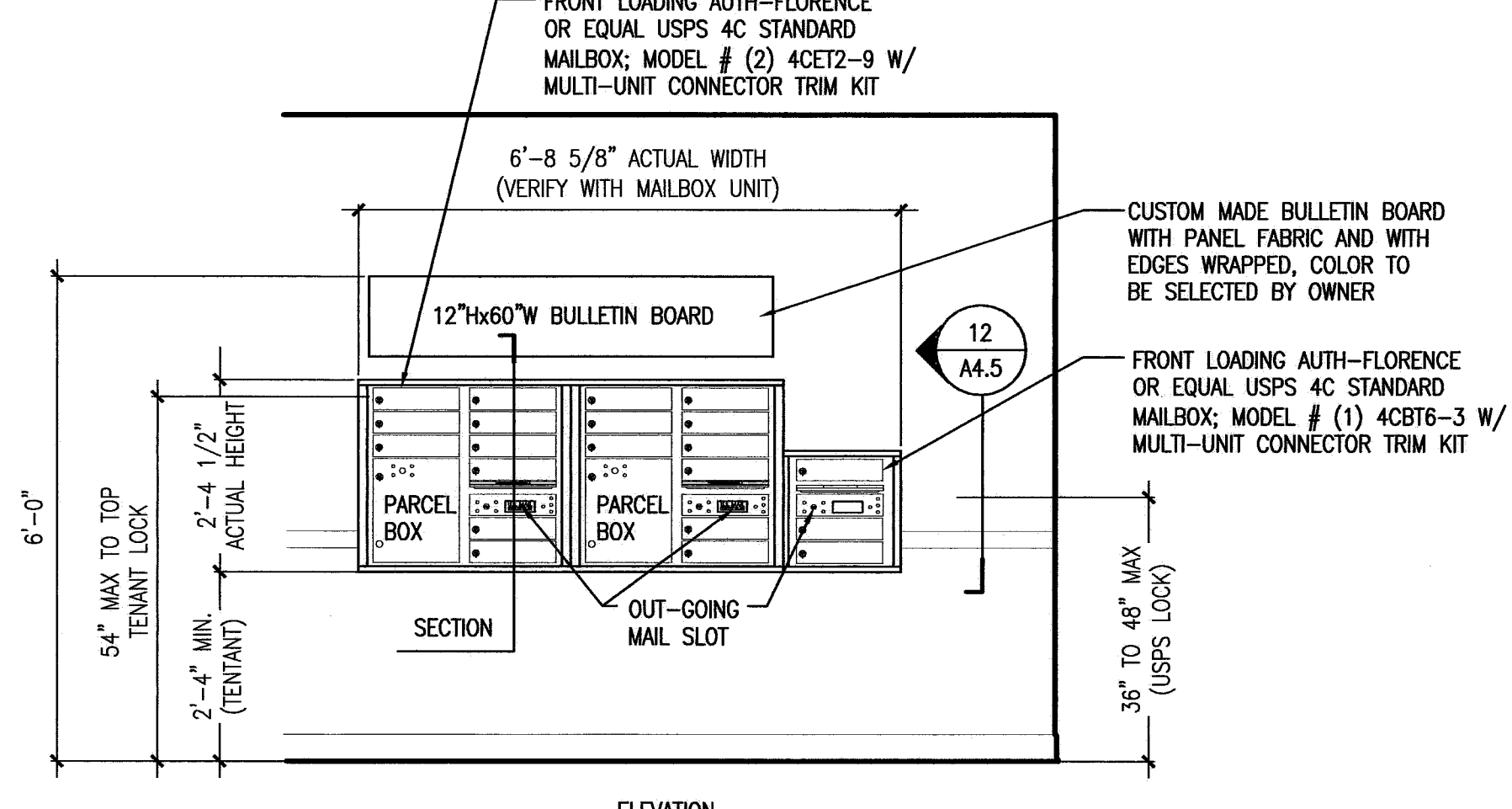
SCALE: 1/2" = 1'-0"



**10** MAILBOXES SECTION

REFERENCED FROM:

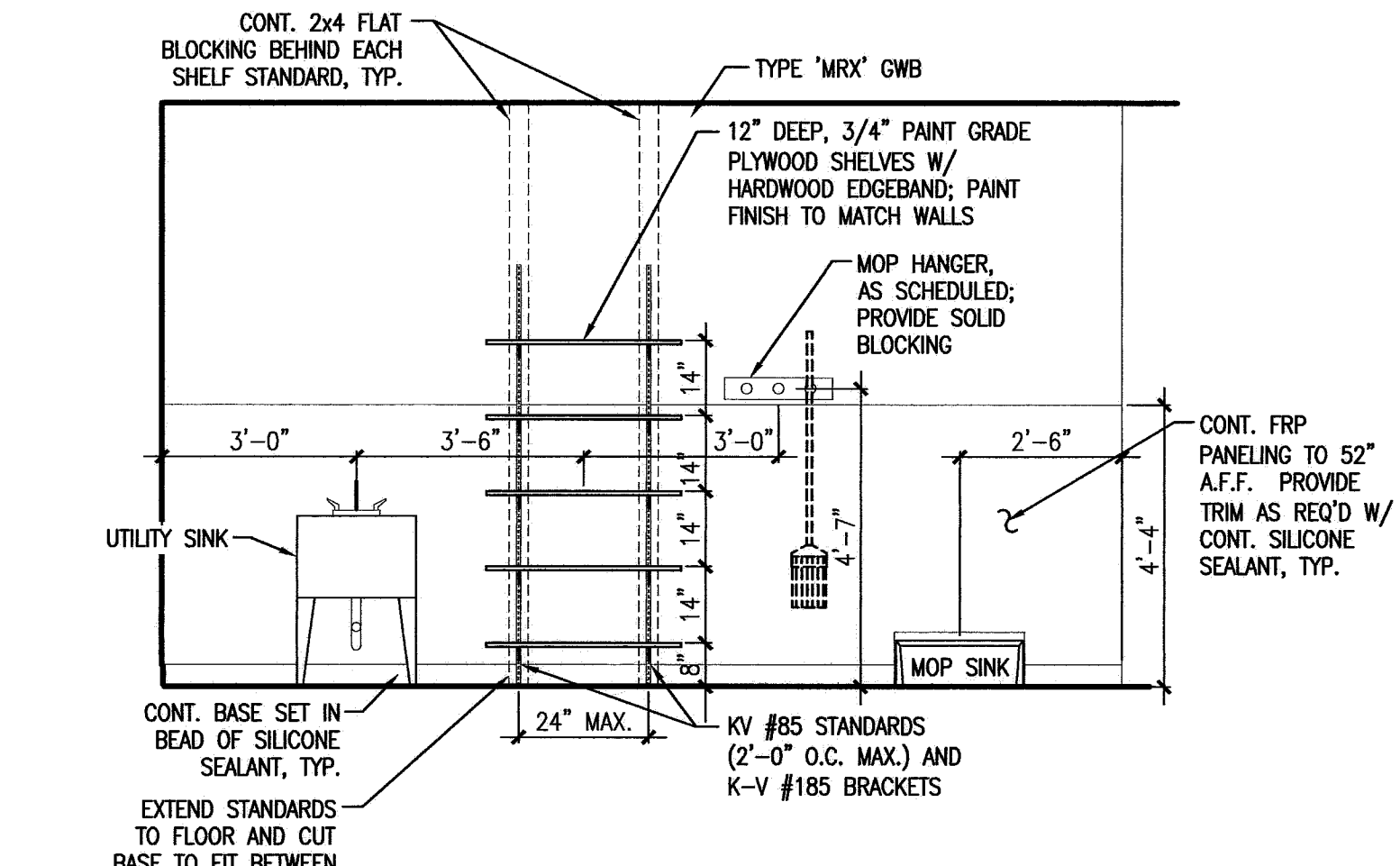
SCALE: 1/2" = 1'-0"



**11** MAILBOXES ELEVATION

REFERENCED FROM:

SCALE: 1/2" = 1'-0"

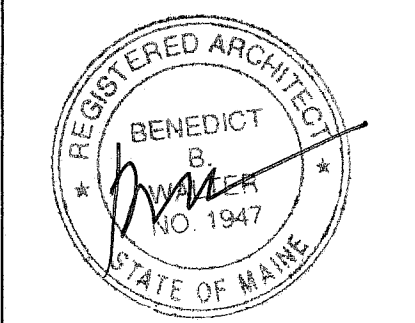


**11** MAINT./STORAGE ROOM INT. ELEV.

REFERENCED FROM:

SCALE: 3/8" = 1'-0"

**CWS Architects**  
 Architecture  
 Space Planning  
 Value Design  
 434 Cumberland Avenue  
 Portland, ME 04101  
 Phone: (207)774-4441  
 Fax: (207)774-4016  
 www.CWSArch.com



Owner:  
**Avesta Munjoy Commons, LP.**  
 307 Cumberland Ave.  
 Portland, Maine 04101  
 TEL. 207-553-7780

Client:

**Munjoy Commons Apartments**

Portland, Maine

Project No: 07429

Drawing Title:  
**EMERSON INTERIOR ELEVATIONS**

Scale: 3/8" = 1'-0"  
 Date: August 28, 2009

- Revisions:
- △
  - △
  - △
  - △
  - △
  - △

Drawing Number:  
**EMERSON A4.4**