

Owner:
Avesta Munjoy Commons, LP.
 307 Cumberland Ave.
 Portland, Maine 04101
 TEL. 207-553-7780

Client:

Munjoy Commons Apartments

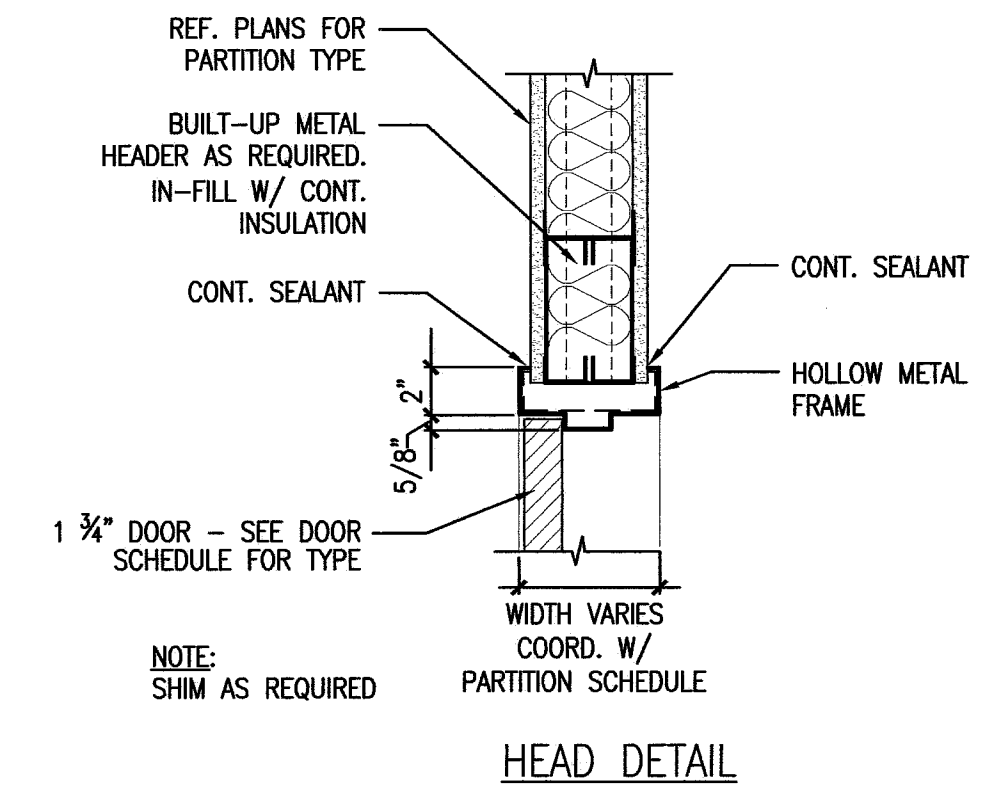
Portland, Maine

Project No: 07429

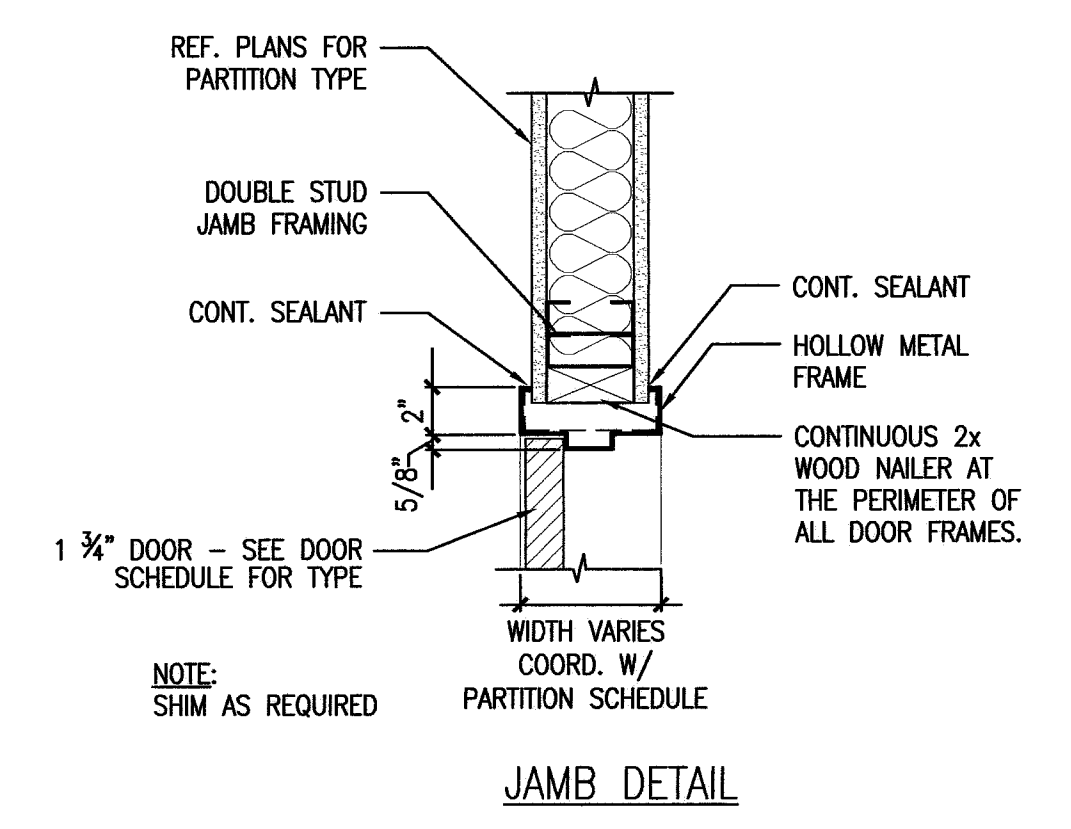
Drawing Title:
EMERSON DETAILS

Scale: AS NOTED
 Date: August 28, 2009
 Revisions:

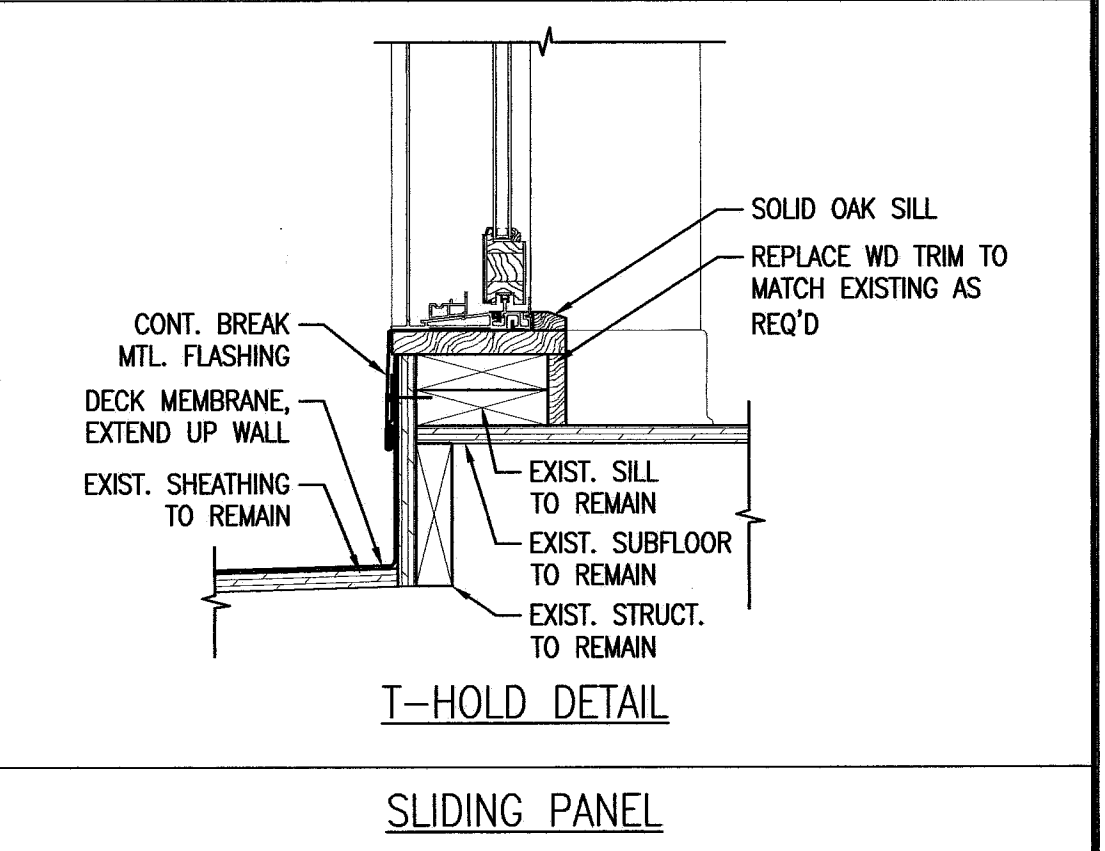
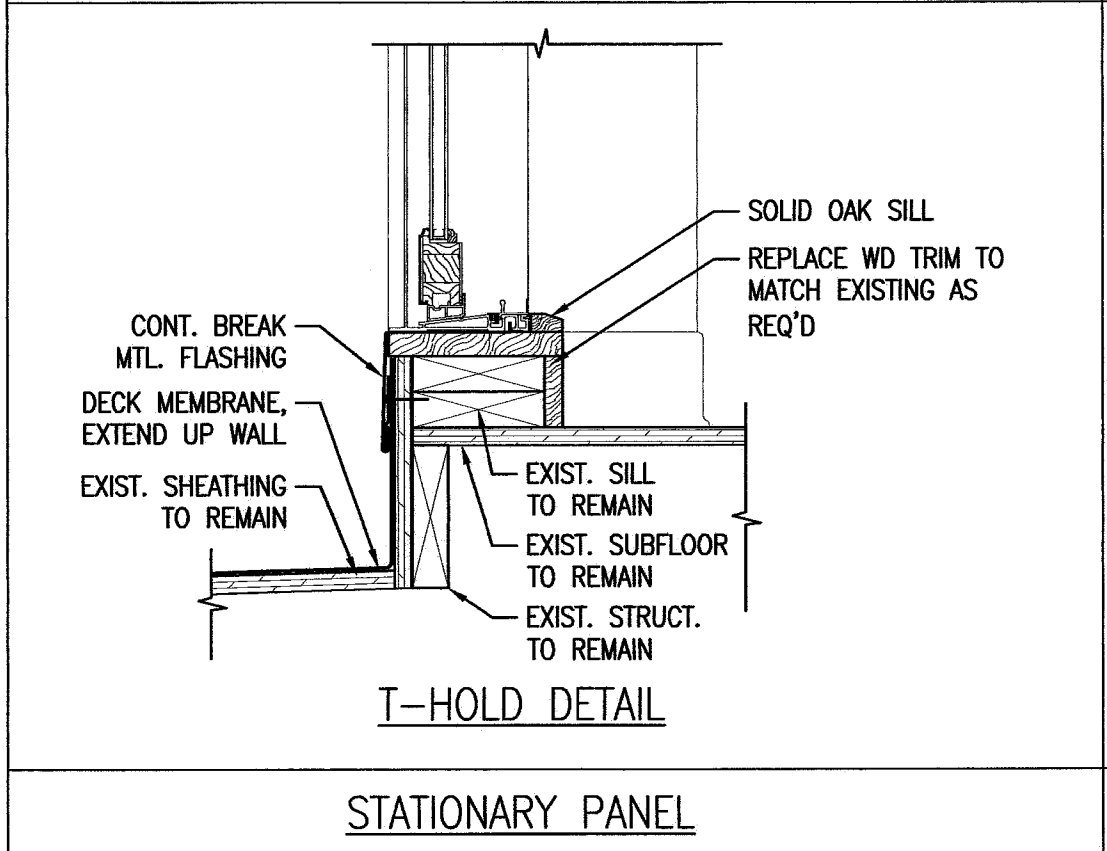
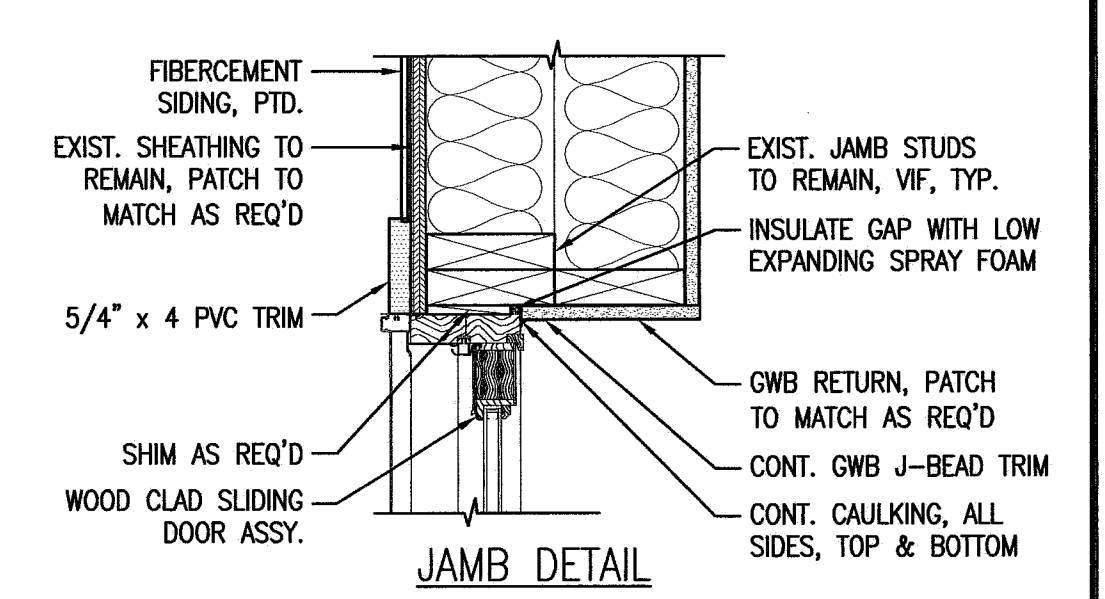
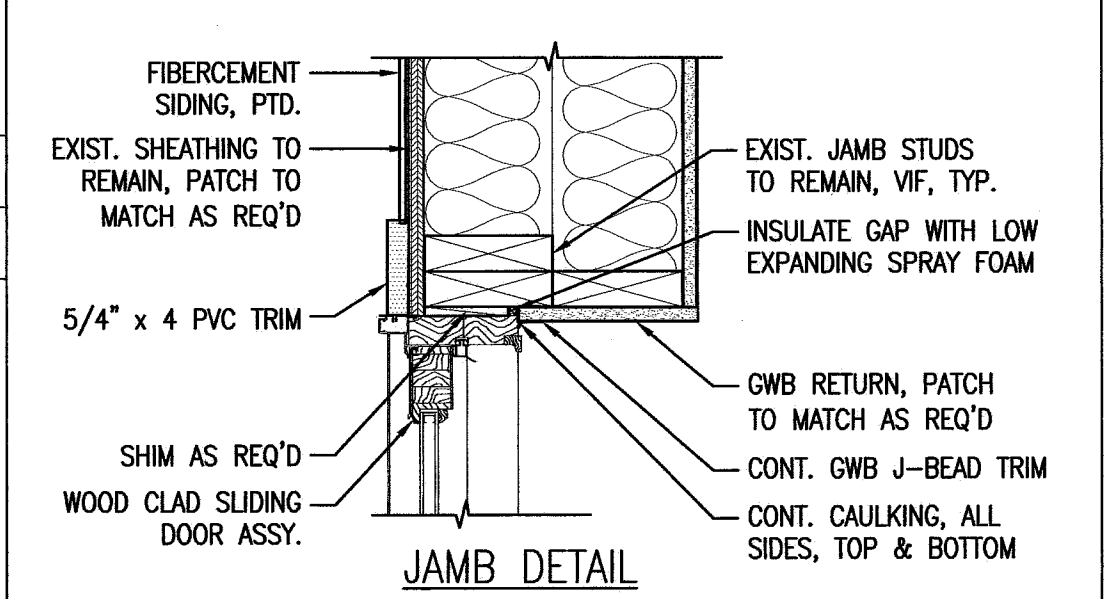
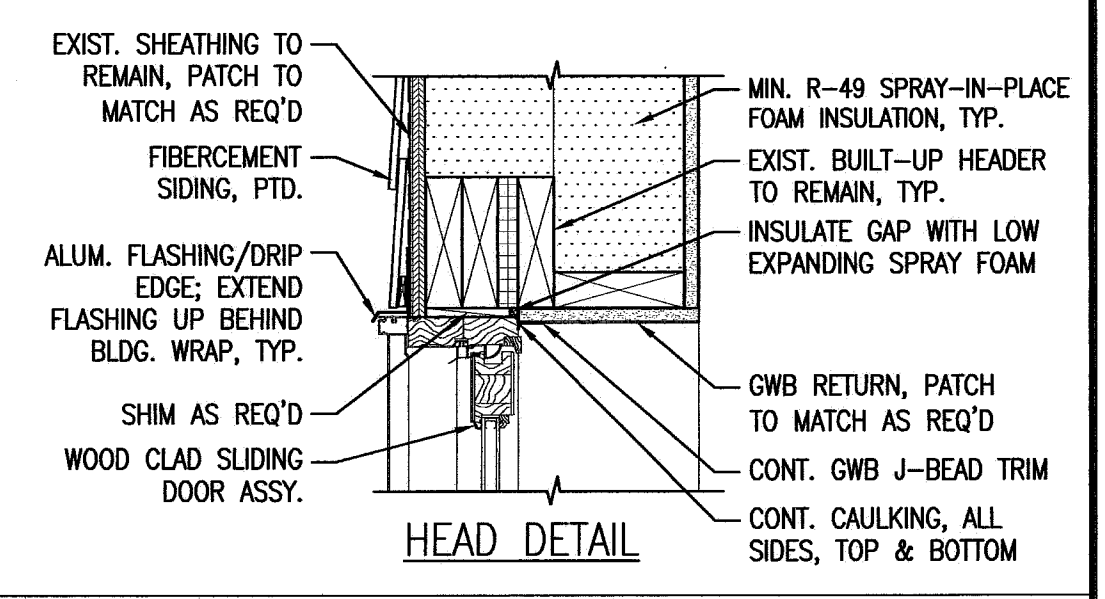
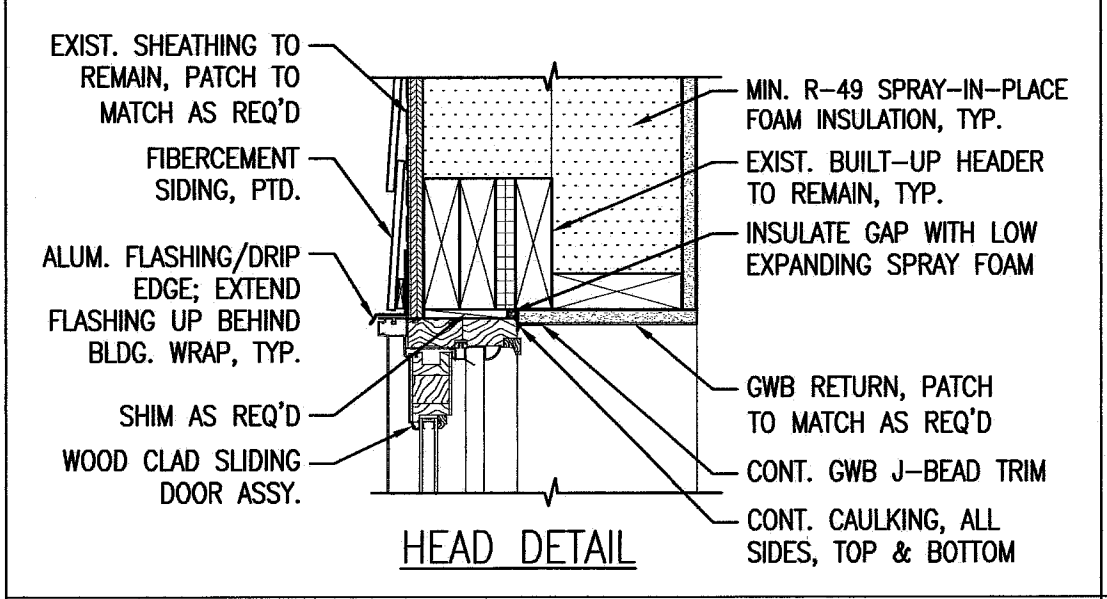
Drawing Number:
EMERSON A4.2B



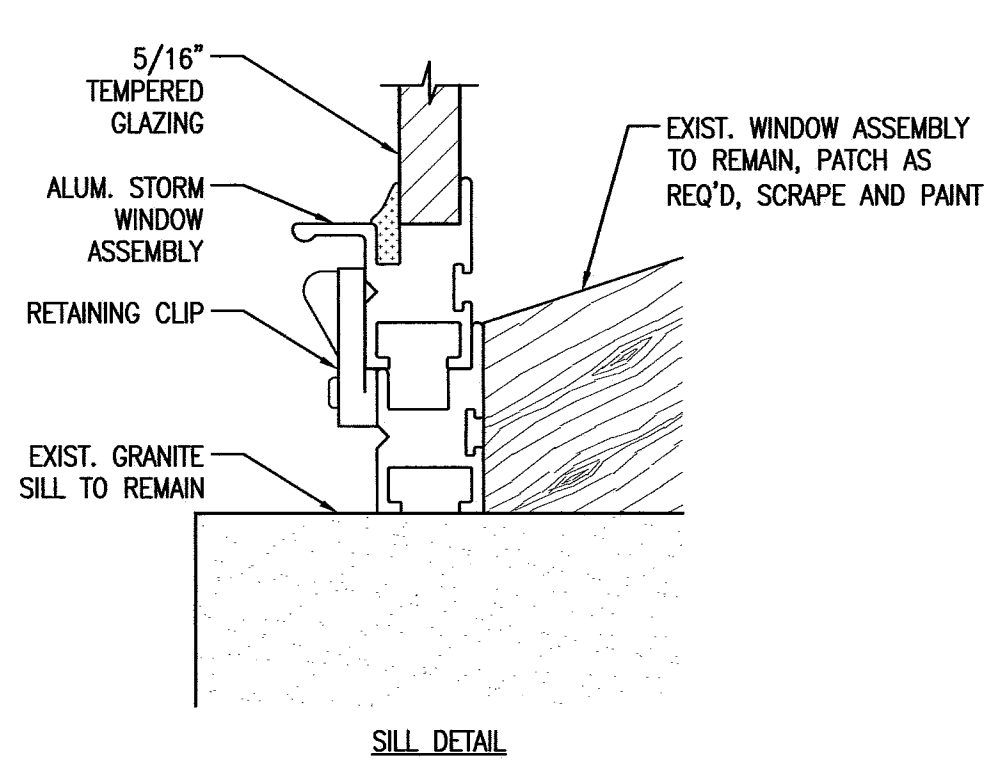
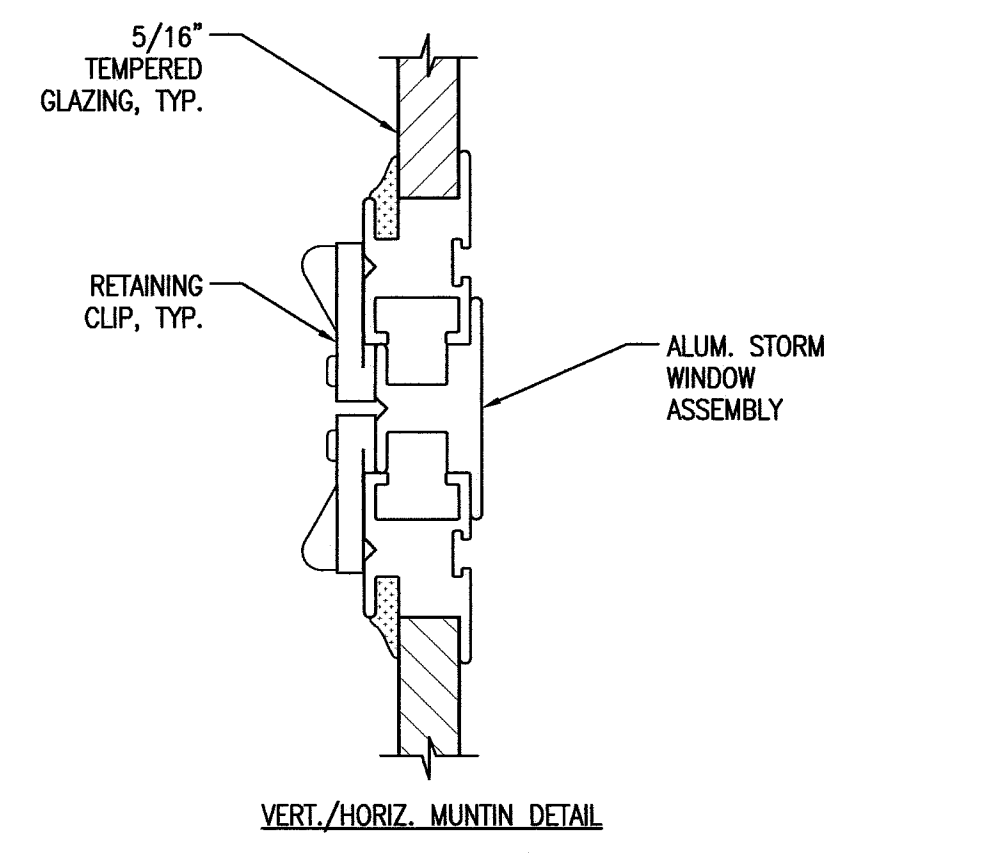
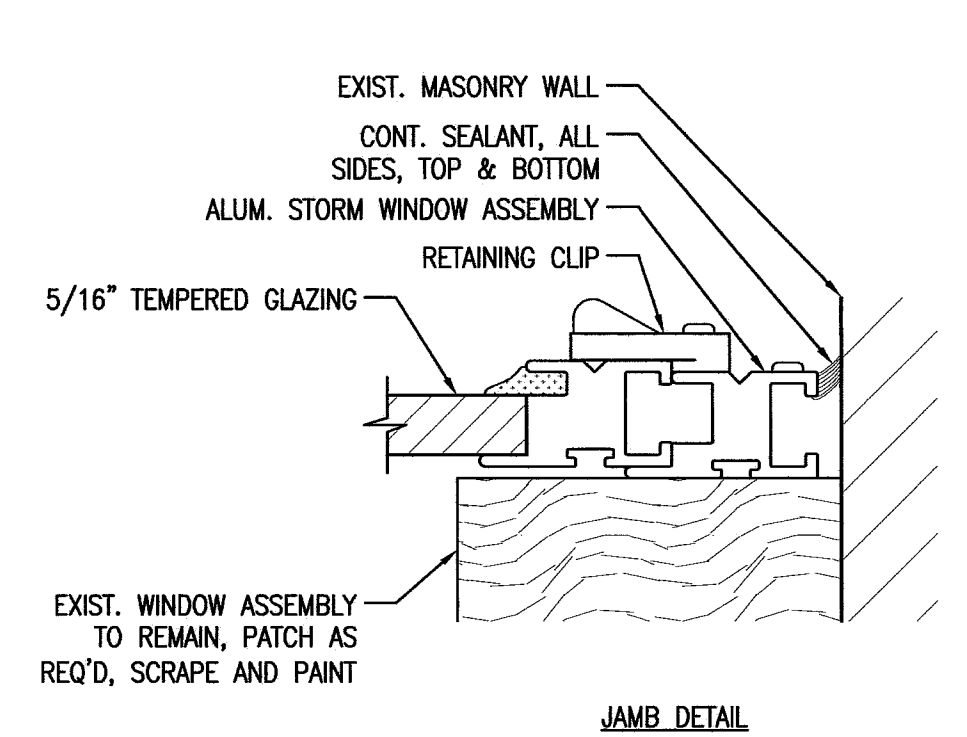
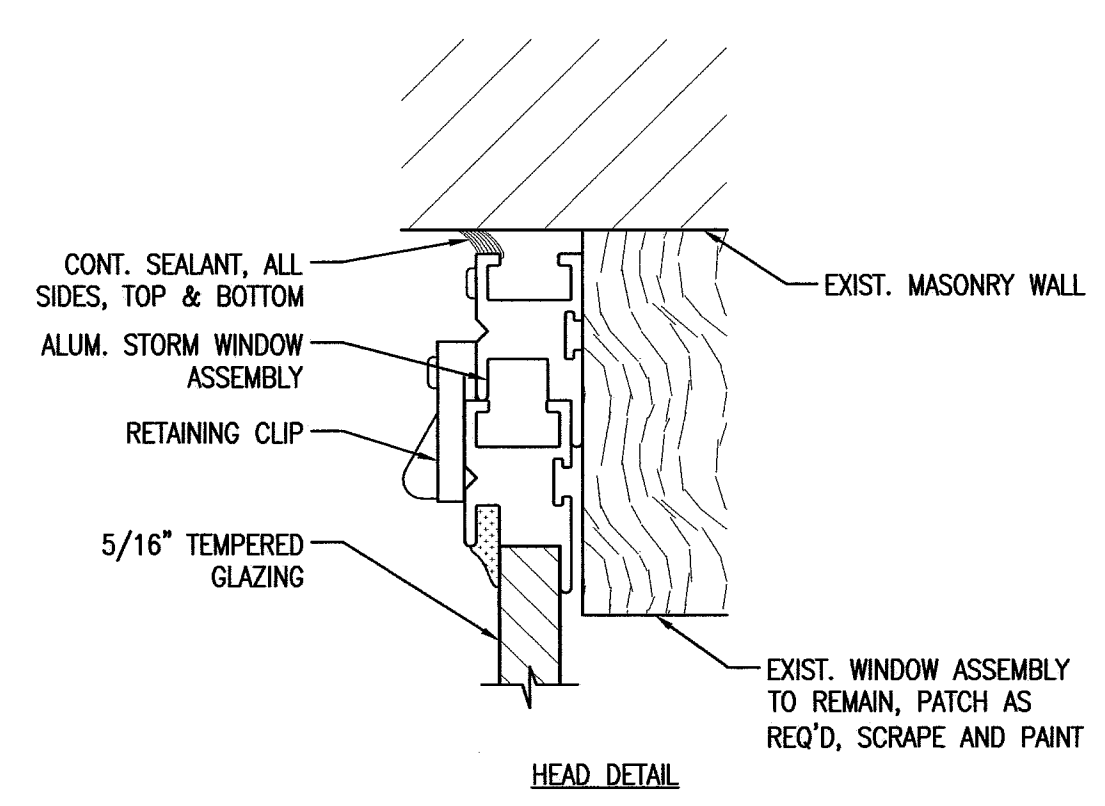
4 TYP. HM DOOR FRAME HEAD DETAIL
 REFERENCED FROM: SCALE: 1/2" = 1'-0"



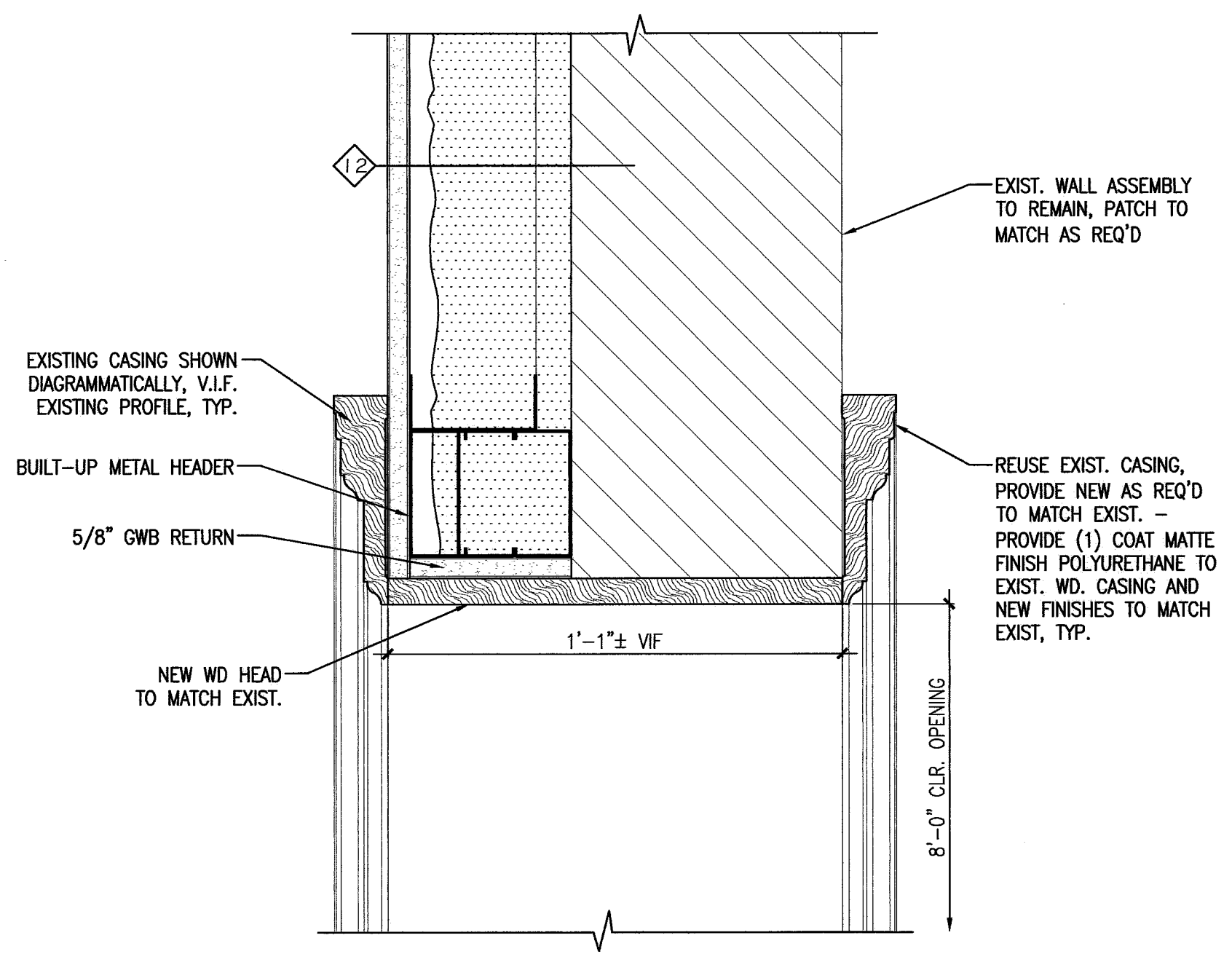
5 TYP. HM DOOR FRAME JAMB DETAIL
 REFERENCED FROM: SCALE: 1/2" = 1'-0"



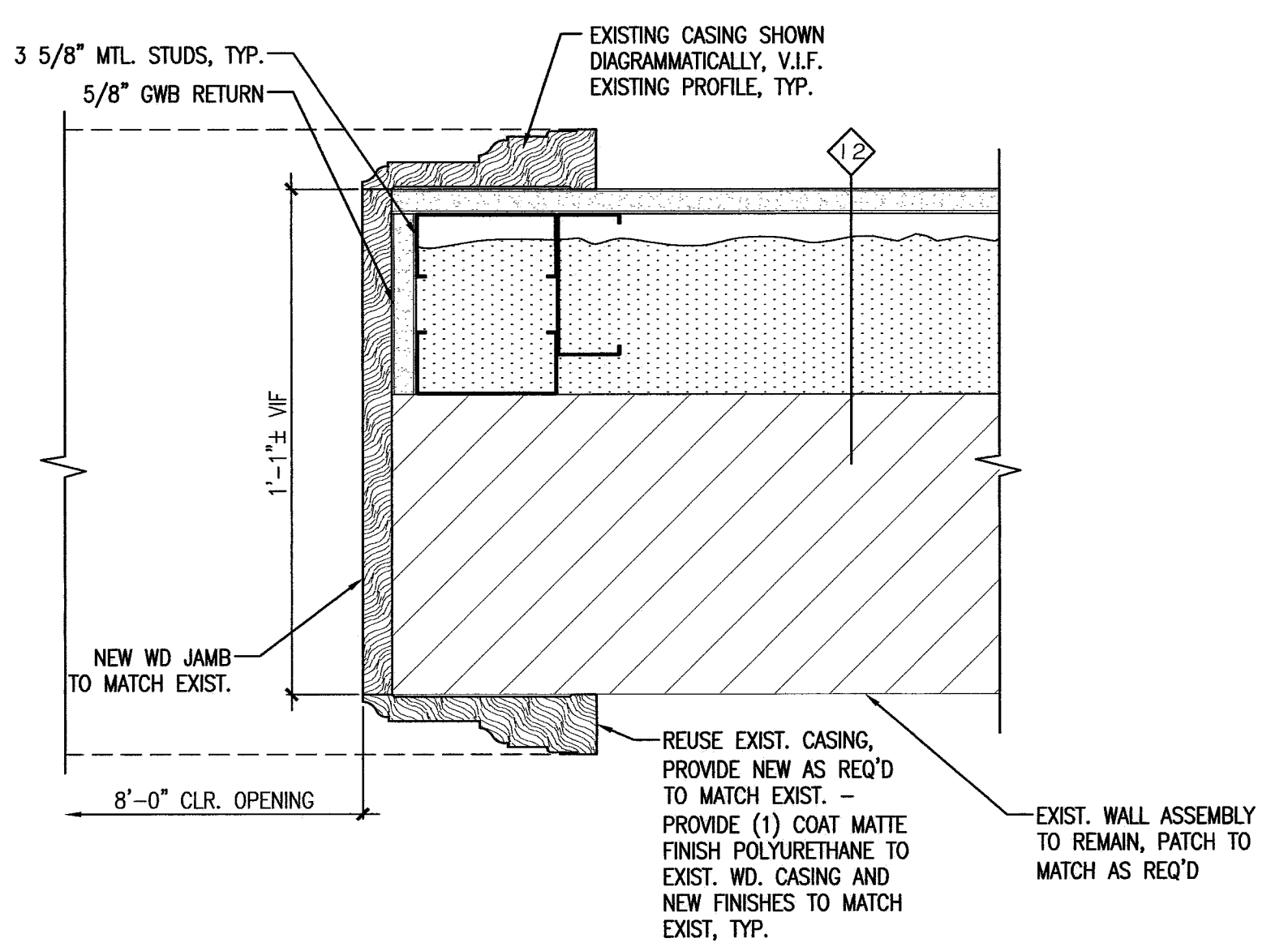
6 TYP. SLIDING GLASS DOOR DETAILS
 REFERENCED FROM: SCALE: 1/2" = 1'-0"



2 EXIST. HISTORIC WINDOW/NEW STORM WINDOW DETAILS
 REFERENCED FROM: SCALE: 1'-0" = 1'-0"



1 HEAD DETAIL @ CASSED OPENING
 REFERENCED FROM:



3 TYP. JAMB DETAIL @ CASSED OPENING
 REFERENCED FROM: SCALE: 3" = 1'-0"

2 EXIST. HISTORIC WINDOW/NEW STORM WINDOW DETAILS
 REFERENCED FROM: SCALE: 1'-0" = 1'-0"