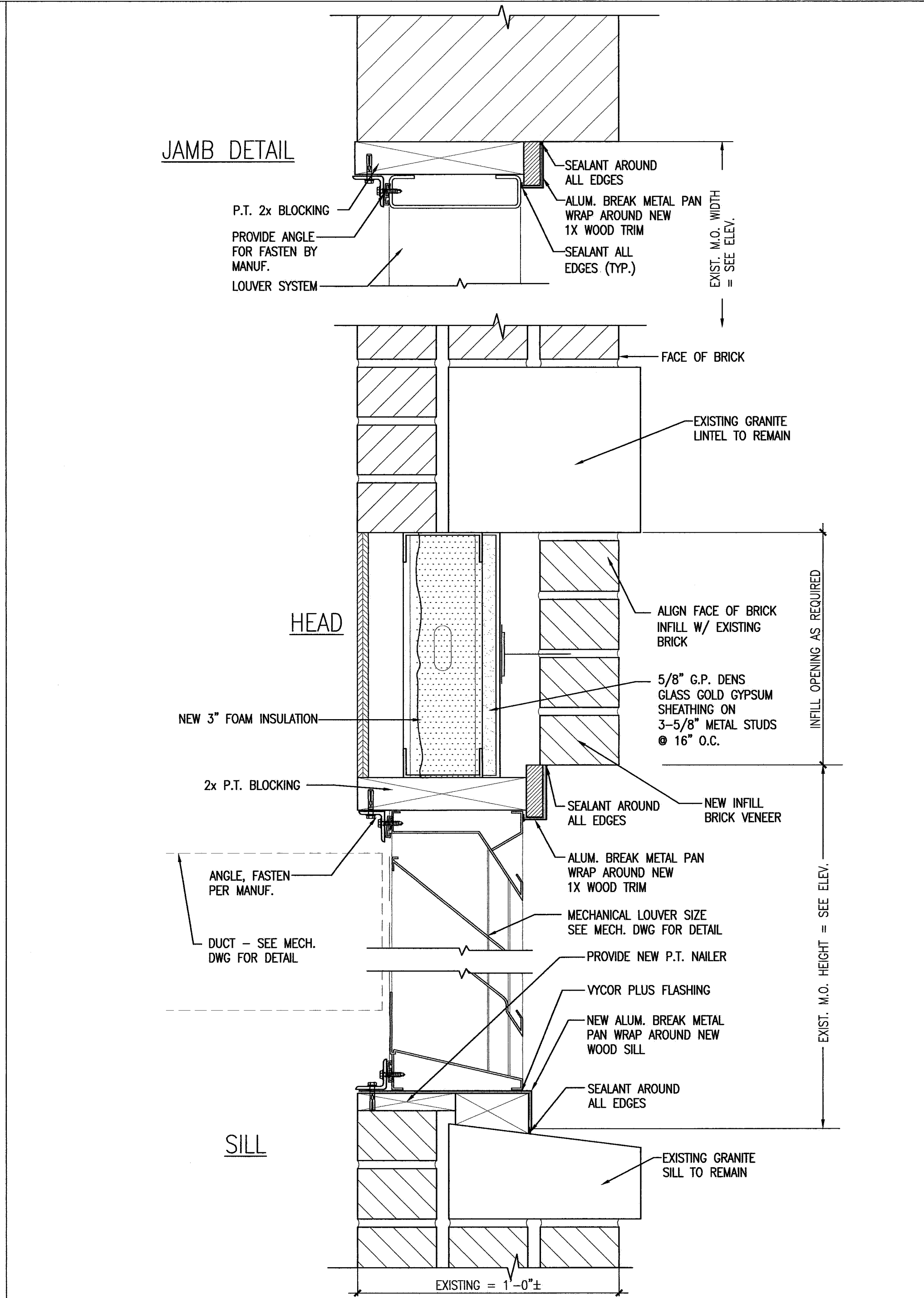


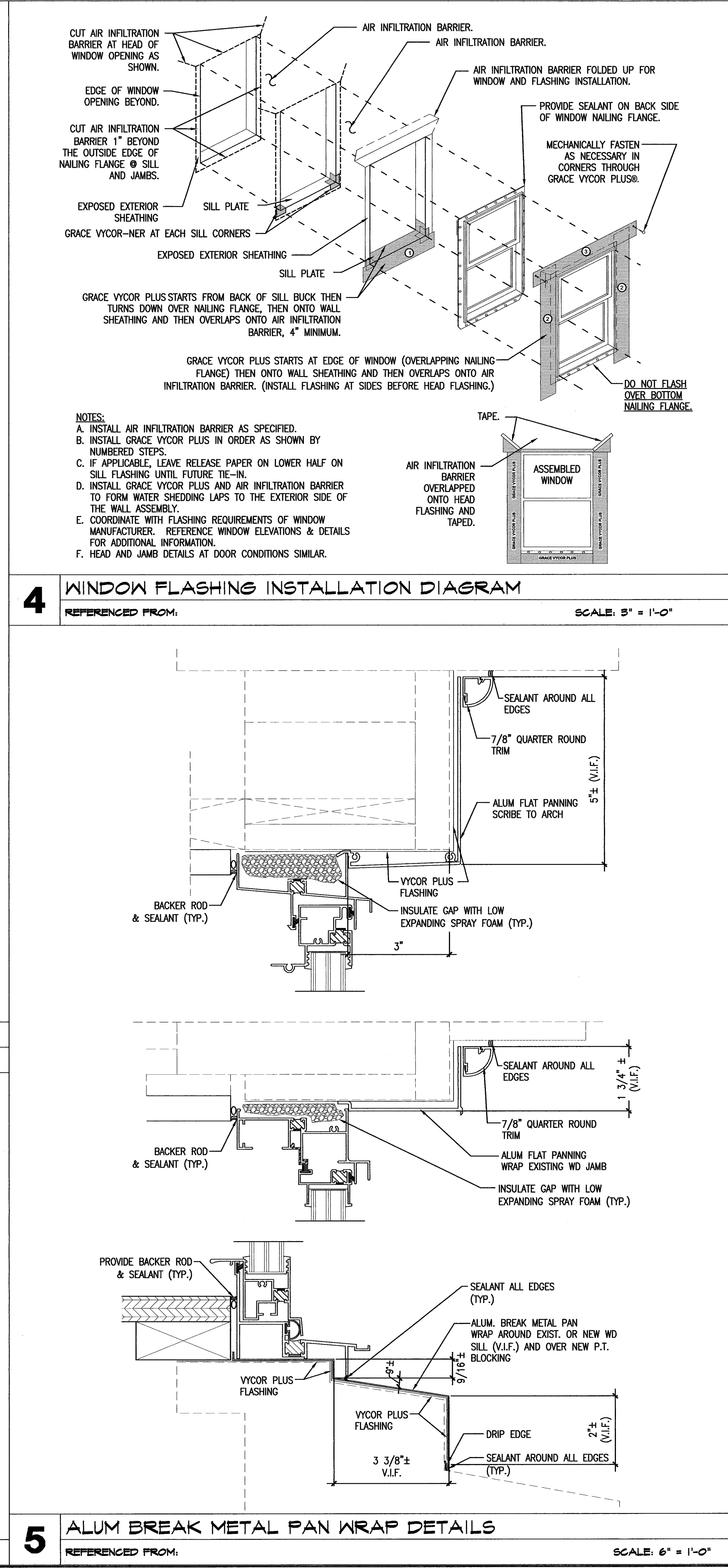
1 NEW SKYLIGHT DETAIL
 REFERENCED FROM:
 SCALE: 3" = 1'-0"



2 SKYLIGHT SILL DETAIL
 REFERENCED FROM:
 SCALE: 3" = 1'-0"

3 MECHANICAL LOUVER DETAILS
 REFERENCED FROM:
 SCALE: 3" = 1'-0"

4 WINDOW FLASHING INSTALLATION DIAGRAM
 REFERENCED FROM:
 SCALE: 3" = 1'-0"



5 ALUM BREAK METAL PAN WRAP DETAILS
 REFERENCED FROM:
 SCALE: 6" = 1'-0"

CWS
 CWS Architects
 Architecture
 Space Planning
 Value Design
 434 Cumberland Avenue
 Portland, ME 04101
 Phone: (207)774-4441
 Fax: (207)774-4016
 www.CWSarch.com

REGISTERED ARCHITECT
 BENEDICT B.
 No. 19417
 STATE OF MAINE

Owner:
Avesta Munjoy Commons, LP.
 307 Cumberland Ave.
 Portland, Maine 04101
 TEL. 207-553-7780

Client:

Munjoy Commons Apartments
 Portland, Maine

Project No: 07429

Drawing Title:
**EMERSON
 NEW SKYLIGHT &
 MECH. LVR. DTL'S**

Scale: AS NOTED
 Date: August 28, 2009

Revisions:

Drawing Number:
**EMERSON
 A4.2A**